



US00D806160S

(12) **United States Design Patent** (10) **Patent No.:** **US D806,160 S**  
**Specht et al.** (45) **Date of Patent:** **\*\* Dec. 26, 2017**

(54) **PAYMENT TERMINAL WITH WHEELCHAIR ACCESSIBLE MOUNT**

[retrieved on Jul. 13, 2017] <https://sobjprd.guestel.fr/export/QPTUJ214/pdf2/b16943ba-2156-41c3-9aa3-06b5b807503f-183439.pdf>.\*

(71) Applicant: **Block and Company**, Wheeling, IL (US)

\* cited by examiner

(72) Inventors: **Paul E. Specht**, Glenview, IL (US);  
**Ivelisse Gomez**, Wheeling, IL (US);  
**John P. Chap**, Woodridge, IL (US)

*Primary Examiner* — Susan Bennett Hattan  
*Assistant Examiner* — Marie D. Fast Horse  
(74) *Attorney, Agent, or Firm* — Husch Blackwell LLP

(73) Assignee: **BLOCK AND COMPANY**, Wheeling, IL (US)

(57) **CLAIM**

(\*\*) Term: **15 Years**

The ornamental design for a payment terminal with wheelchair accessible mount, as shown and described.

(21) Appl. No.: **29/552,521**

(22) Filed: **Jan. 22, 2016**

**DESCRIPTION**

(51) **LOC (10) Cl.** ..... **18-01**

(52) **U.S. Cl.**  
USPC ..... **D18/4.6**

(58) **Field of Classification Search**

USPC ... D18/4.6, 4.1, 4.3, 4.4, 4.5, 12, 12.1, 12.3, D18/56, 18; D14/178, 239, 307, 332, D14/336, 337, 341, 371, 374-377, 385, D14/386, 420, 421, 447, 448, 451, 452, D14/457, 251-253; D20/10, 41, 99; D99/28, 34, 35, 36, 37, 43, 99; 705/16; D6/672; D8/363, 364  
CPC ..... G07F 7/08; G07F 7/0873; G07F 7/088; G07F 7/0886; G07F 7/0893; G07F 7/1016; G07F 7/1033; G07F 19/00; G07G 1/00; G07G 1/12; G07G 1/0018; G07G 1/0027; G06Q 20/20; G06K 7/083; G06K 7/084; G06K 7/109; F16M 11/10; F16M 11/14;

(Continued)

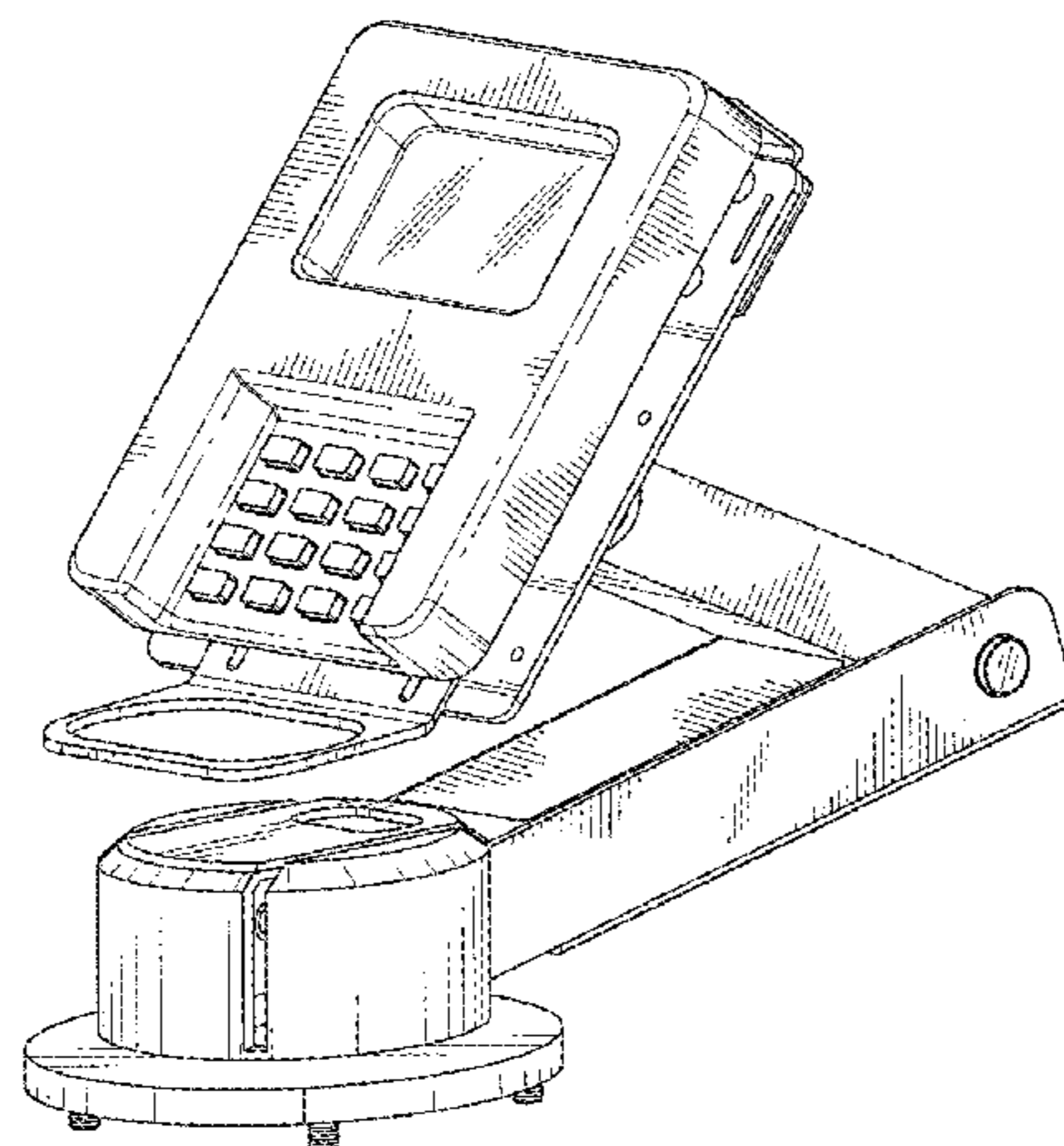
FIG. 1 is a perspective view of the payment terminal with wheelchair accessible mount;  
FIG. 2. is a front side view of the payment terminal with wheelchair accessible mount of FIG. 1;  
FIG. 3. is a rear side view of the payment terminal with wheelchair accessible mount of FIG. 1;  
FIG. 4. is a right view of the payment terminal with wheelchair accessible mount of FIG. 1;  
FIG. 5. is a left view of the payment terminal with wheelchair accessible mount of FIG. 1;  
FIG. 6. is a top view of the payment terminal with wheelchair accessible mount of FIG. 1;  
FIG. 7. is a bottom view of the payment terminal with wheelchair accessible mount of FIG. 1;  
FIG. 8. Is a another perspective view of the payment terminal with wheelchair accessible mount of FIG. 1, shown in an extended position for use with the pull handle in a downward position for use; and,  
FIG. 9. Is a another perspective view of the payment terminal with wheelchair accessible mount of FIG. 1 shown within its environment in an extended position for use with the pull handle in a downward position.  
The broken lines in FIG. 3 depict parts of the payment terminal with wheelchair accessible mount that form no part of the claimed design.

(Continued)

(56) **References Cited**

**PUBLICATIONS**

Wheelchair Accessible Mount With POS Terminal. (Design -© Questel). orbit.com. [online PDF] 5 pgs. Print Date May 16, 2016



The broken lines in FIG. 9 are for the purpose of illustrating environmental and form no part of the claimed design.

**1 Claim, 7 Drawing Sheets**

**(58) Field of Classification Search**

CPC ..... F16M 11/041; F16M 11/08; F16M 11/24;  
F16M 13/00

See application file for complete search history.

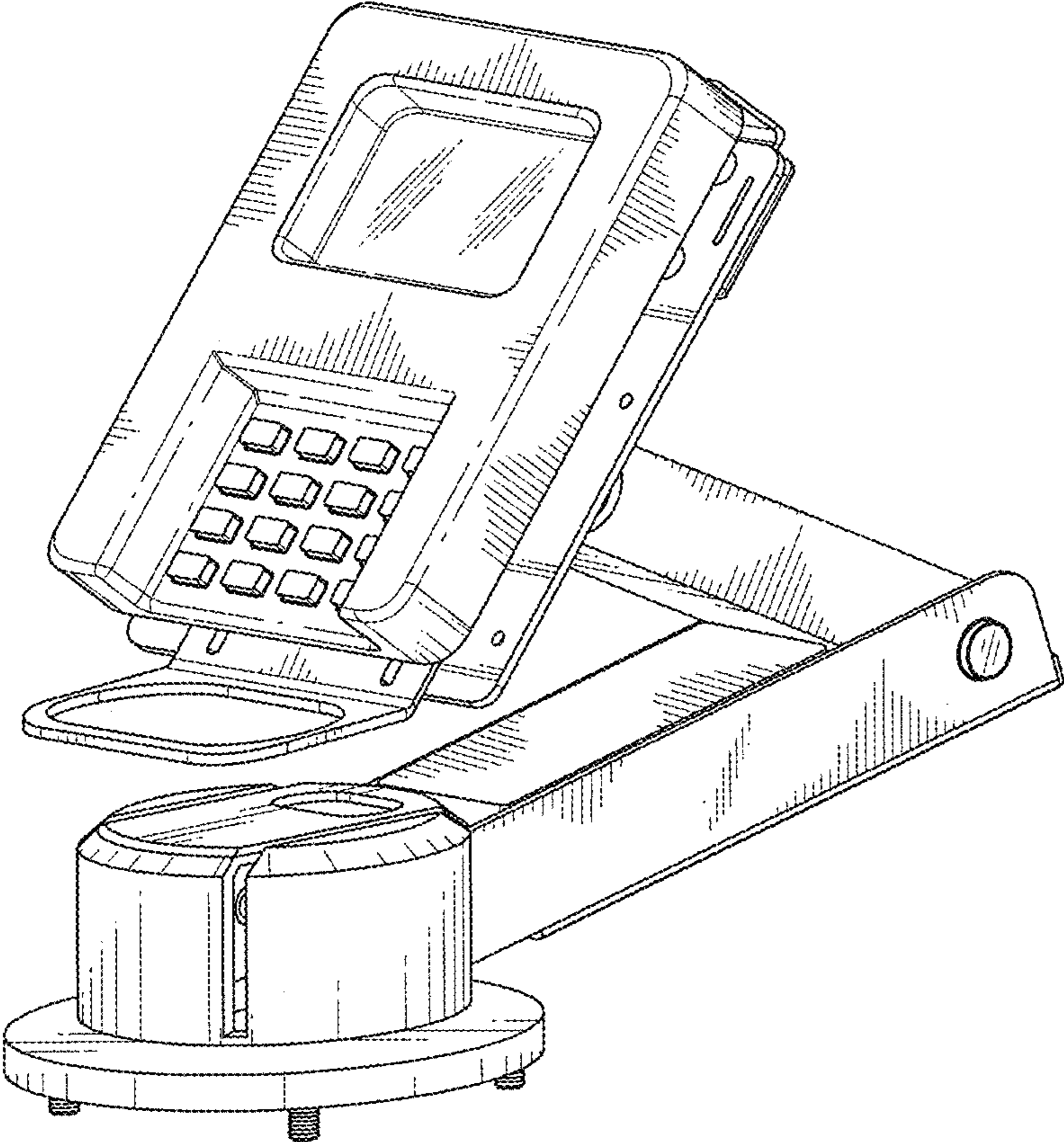


FIG. 1

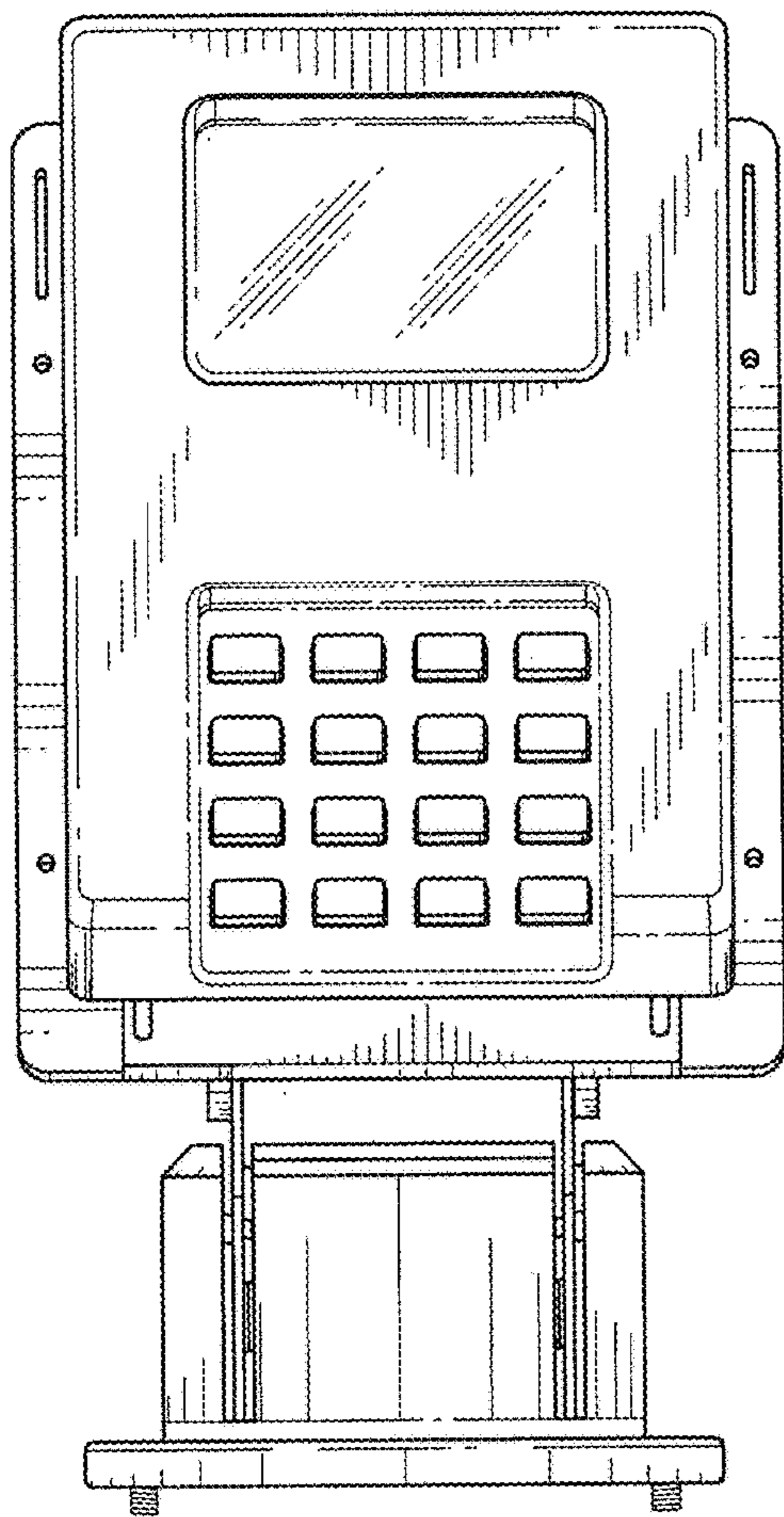


FIG. 2

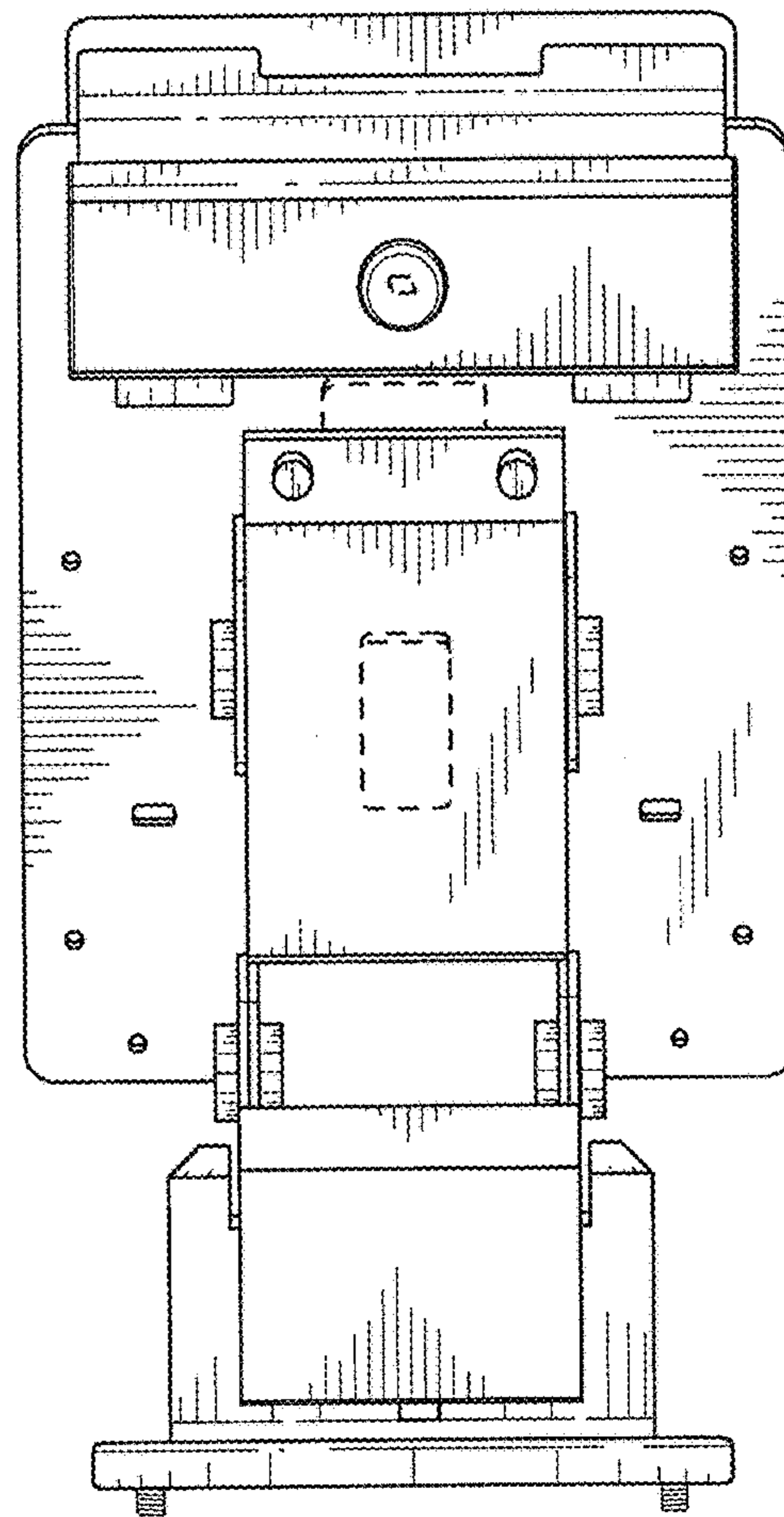


FIG. 3

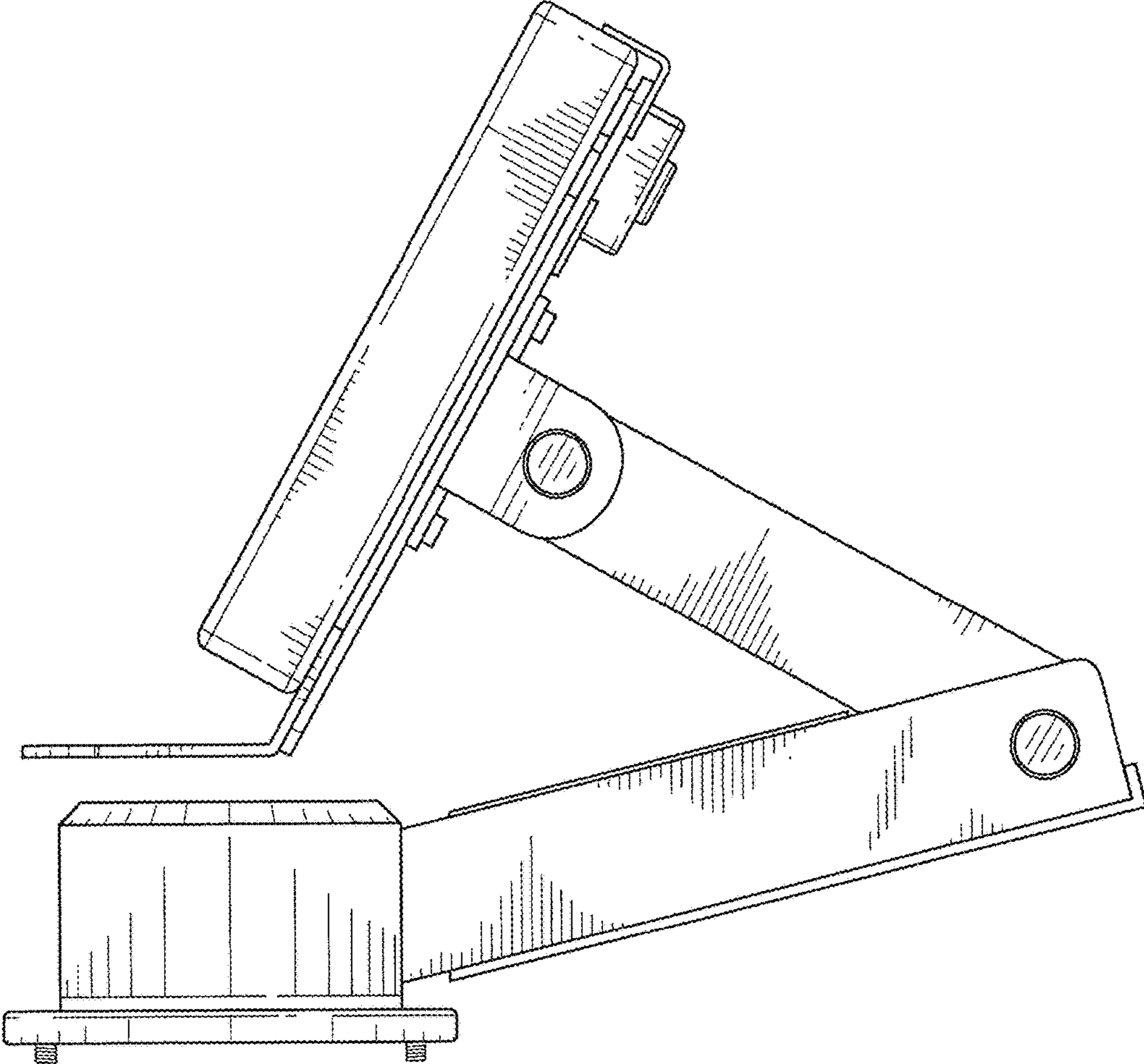


FIG. 4

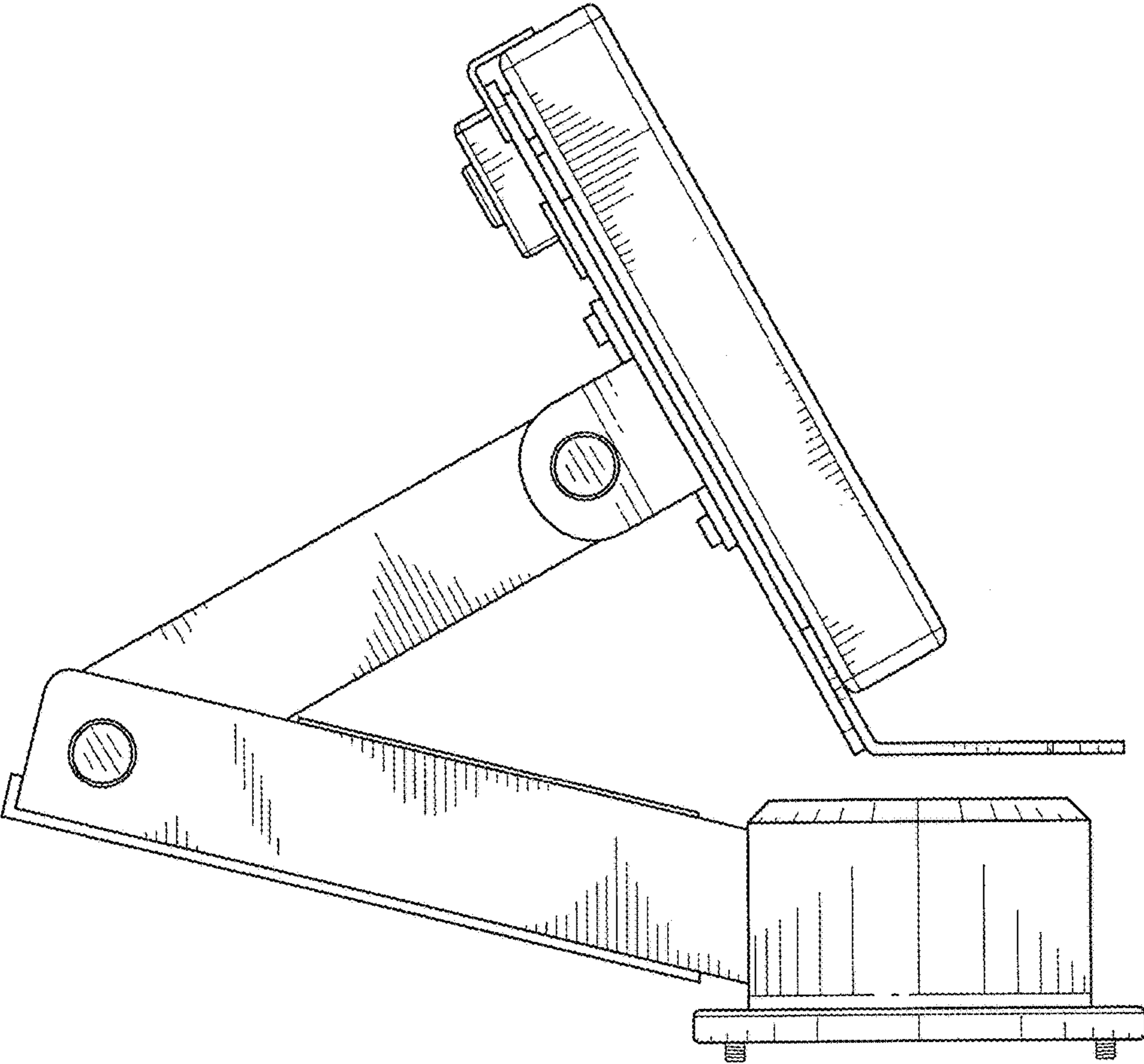


FIG. 5

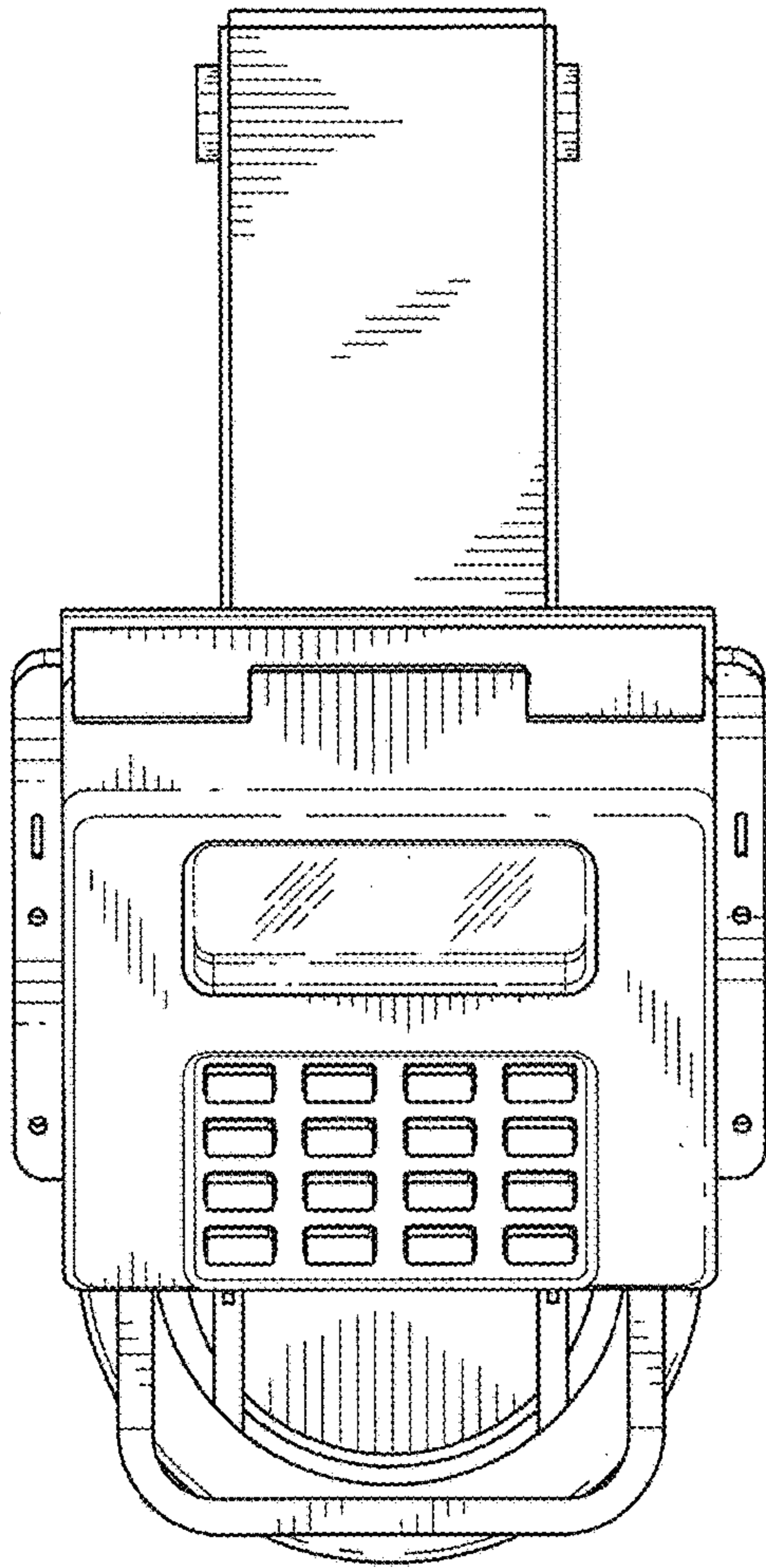


FIG. 6

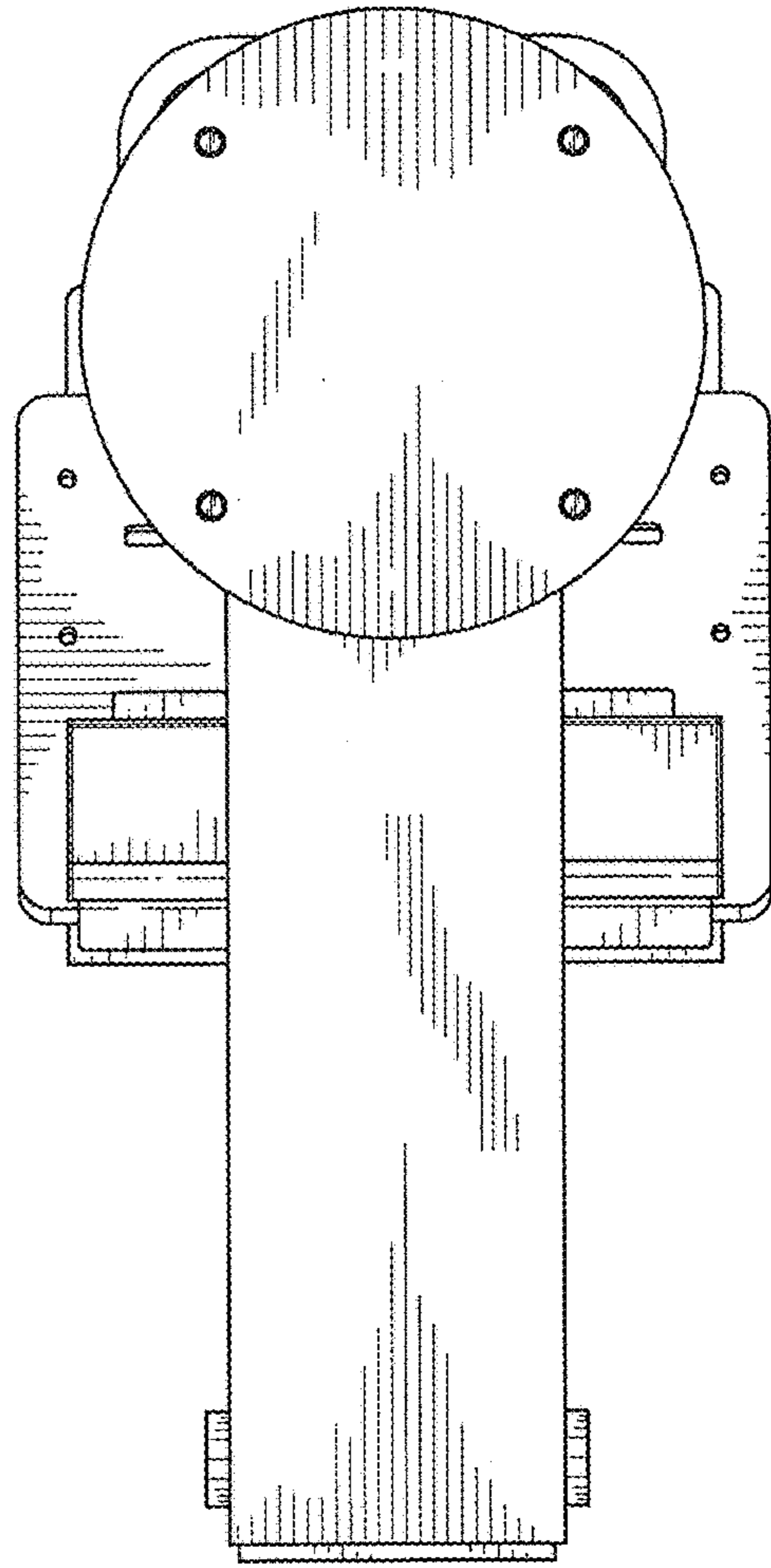


FIG. 7

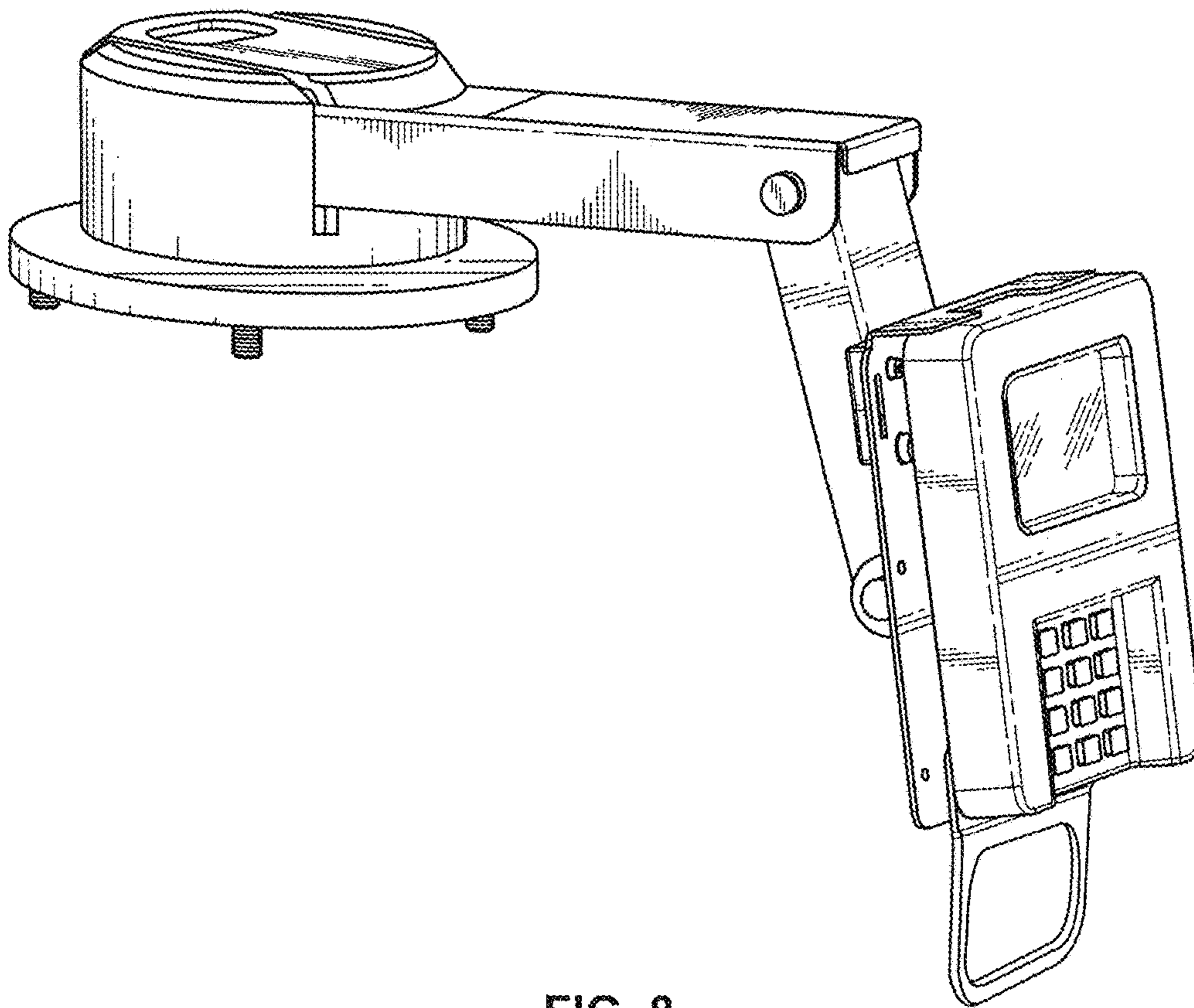


FIG. 8



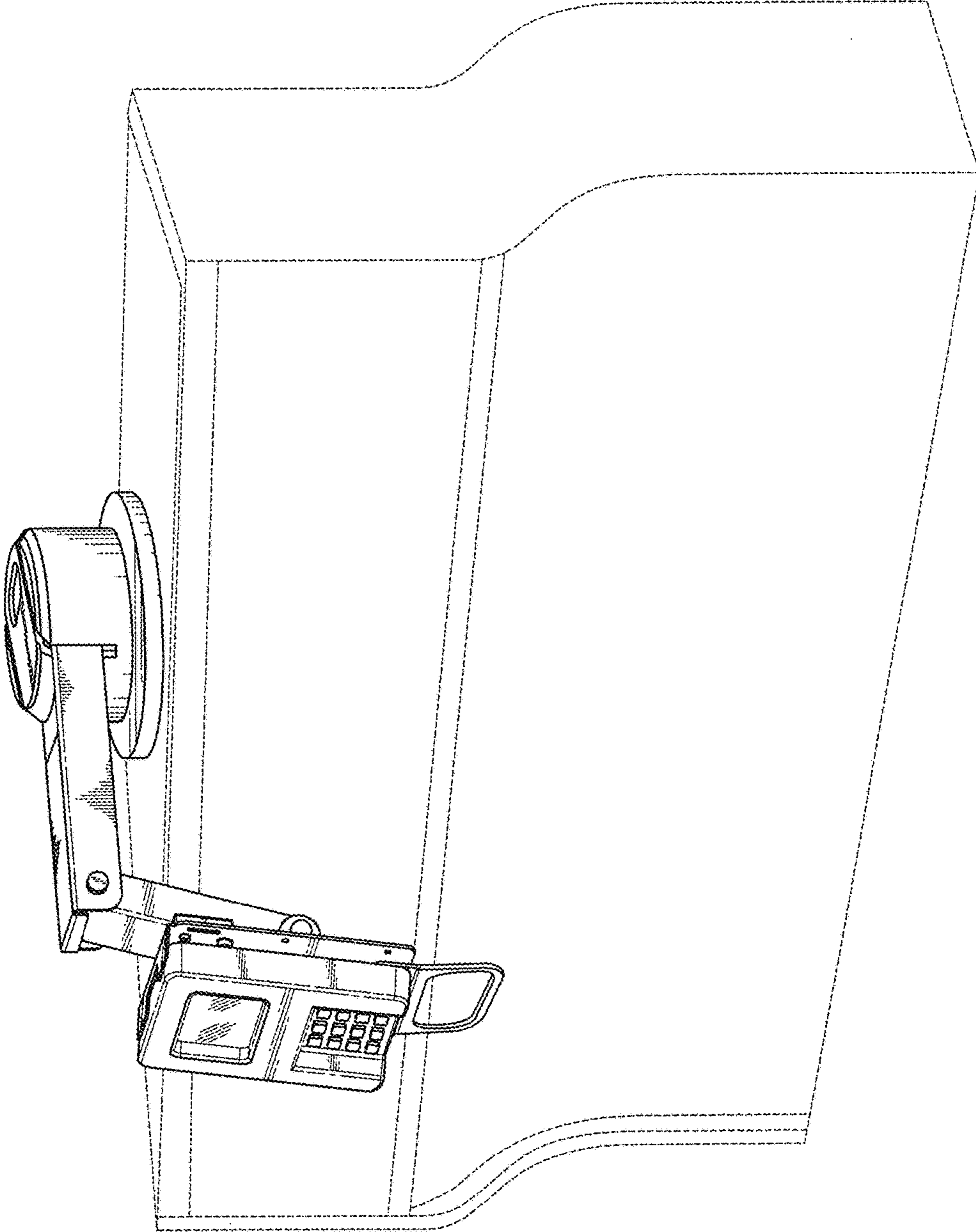


FIG. 9