



US00D806159S

(12) **United States Design Patent** (10) **Patent No.:** **US D806,159 S**
Haller (45) **Date of Patent:** **** Dec. 26, 2017**

(54) **ELECTRONIC DEVICE FOR A TOUCH SCREEN REGISTER OR THE LIKE**

- (71) Applicant: **Elo Touch Solutions, Inc.**, Milpitas, CA (US)
- (72) Inventor: **Jeffrey T. Haller**, Redwood City, CA (US)
- (73) Assignee: **Elo Touch Solutions, Inc.**, Milpitas, CA (US)
- (**) Term: **15 Years**
- (21) Appl. No.: **29/549,154**
- (22) Filed: **Dec. 18, 2015**

Related U.S. Application Data

(63) Continuation of application No. 29/532,838, filed on Jul. 10, 2015, now Pat. No. Des. 747,763, which is a continuation of application No. 29/464,846, filed on Aug. 21, 2013, now Pat. No. Des. 735,805.

(51) **LOC (10) Cl.** **18-01**

(52) **U.S. Cl.**
USPC **D18/4.5**

(58) **Field of Classification Search**

USPC D18/1.4, 4.3-4.6, 11-12, 12.3, 46, 59, D18/99; D14/336, 371, 374-378, D14/388-389; 705/14.65, 16, 22

CPC G06C 20/203; G06C 20/204; G06F 2203/04104; G06F 2203/04106; G06F 1/1632; G07F 7/088; G07G 1/0018; G07G 1/0045; G07G 1/14; G06Q 20/203; G06Q 20/204

See application file for complete search history.

(56) **References Cited**

U.S. PATENT DOCUMENTS

- 6,034,866 A 3/2000 Nobuchi et al.
- D528,146 S 9/2006 Fitch
- D542,834 S * 5/2007 Ando D18/4.5

(Continued)

OTHER PUBLICATIONS

Aliexpress.com:Buy 15" all in one touch screen cash register from Reliable touch screen cash register supplies on Professional touch screen POS system . . . [online] [retrieved Jul. 1, 2013]. Retrieved from the Internet: <URL: www.aliexpress.com/store/product/15-all-in-one-touch-screen-cash-register/803507_522289154.html>. (dated 1999-2013) 12 pages.

(Continued)

Primary Examiner — Eric L Goodman

Assistant Examiner — Amy C Wierenga

(74) *Attorney, Agent, or Firm* — Alston & Bird LLP

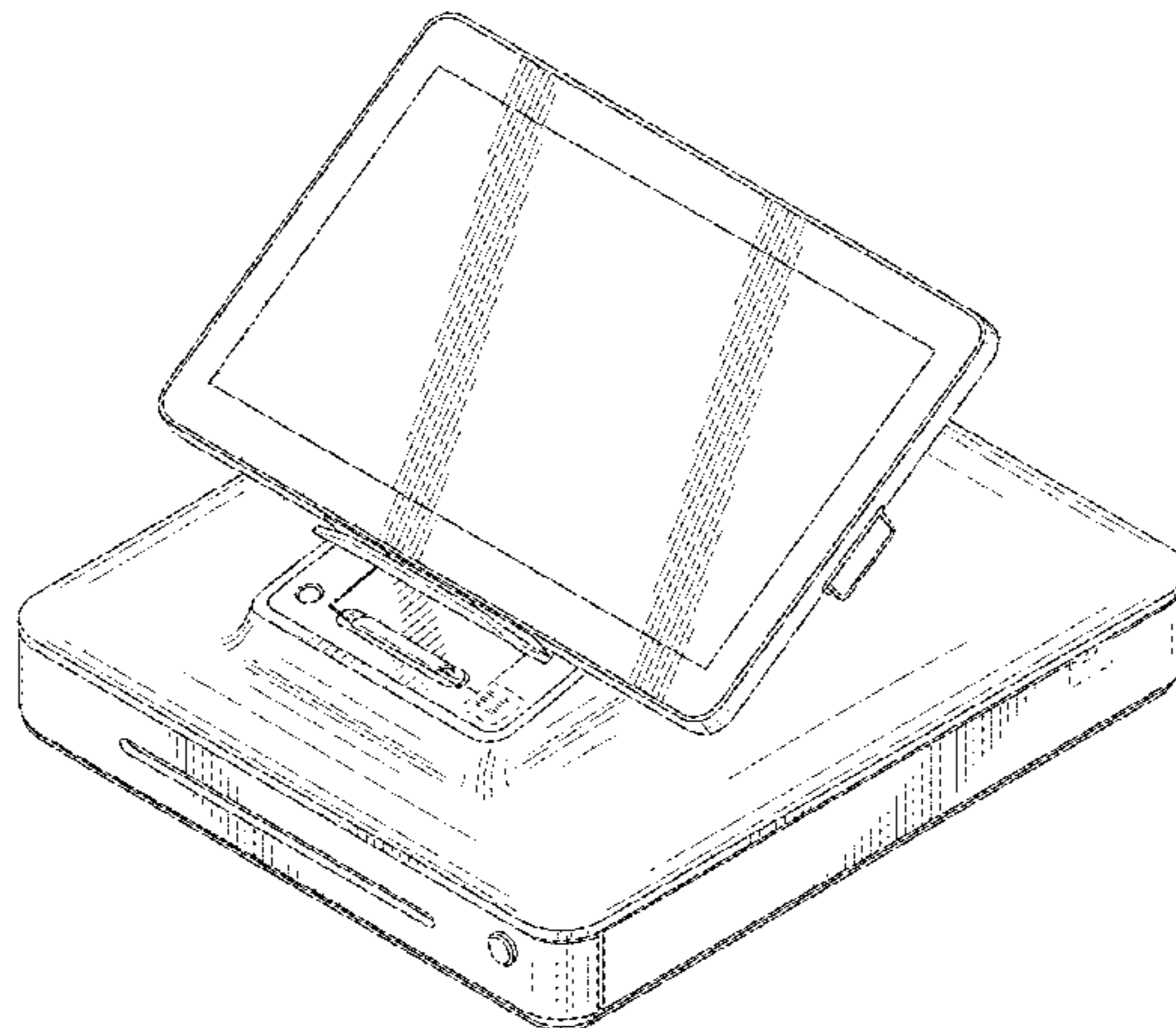
(57) **CLAIM**

I claim the ornamental design for an electronic device for a touch screen register or the like, as shown and described.

DESCRIPTION

FIG. 1 is a perspective view of an electronic device for a touch screen register or the like showing my new design; FIG. 2 is a front elevation view thereof; FIG. 3 is a rear elevation view thereof; FIG. 4 is a left side elevation view thereof; FIG. 5 is a right side elevation view thereof; FIG. 6 is a top plan view thereof; FIG. 7 is another perspective view thereof; FIG. 8 is a partial top plan view with the touch screen removed for ease of illustration, taken along line 8-8 of FIG. 5; and, FIG. 9 is another right side elevation view thereof, shown with the touch screen in another position of use. The broken lines depict portions of the article that form no part of the claim. The bottom of the design is unornamented.

1 Claim, 9 Drawing Sheets



(56)

References Cited

U.S. PATENT DOCUMENTS

D587,296 S * 2/2009 Kuramochi D18/4.5
 D598,045 S 8/2009 Iwata et al.
 D615,120 S 5/2010 Ono
 D620,519 S * 7/2010 Branck D18/4.4
 D625,355 S 10/2010 Branck et al.
 D647,086 S 10/2011 Haller et al.
 D647,898 S 11/2011 Haller et al.
 D649,153 S * 11/2011 Symons D14/447
 D654,501 S 2/2012 Haller et al.
 D681,636 S 5/2013 Haller
 D687,484 S * 8/2013 Eun D18/4.6
 D688,673 S 8/2013 Haller
 D693,343 S 11/2013 Haller
 D696,659 S 12/2013 Chen et al.
 D706,766 S 6/2014 Lee et al.
 D713,447 S 9/2014 Balar et al.
 D714,788 S 10/2014 Haller et al.
 D720,000 S * 12/2014 Lyons D18/4.5
 D725,182 S * 3/2015 Haller D18/11
 D729,805 S 5/2015 Bataillou et al.
 D735,802 S * 8/2015 Lyons D18/4.5
 D735,805 S 8/2015 Haller
 D746,902 S * 1/2016 Lyons D18/4.5
 D747,763 S * 1/2016 Haller D18/4.5
 2010/0021020 A1 * 1/2010 Ueda G06Q 20/341
 382/118
 2013/0262248 A1 10/2013 Kim et al.
 2015/0001291 A1 * 1/2015 Govindarajan G06Q 90/00
 235/380
 2015/0199667 A1 7/2015 Fernando et al.
 2015/0199668 A1 7/2015 Fernando et al.
 2015/0199882 A1 7/2015 Fernando et al.
 2016/0070964 A1 * 3/2016 Conrad G07G 1/0018
 348/150

OTHER PUBLICATIONS

CashRegisterStore.com :: Cash Registers :: Casio :: Casio V-R 100::
 Casio V-R100 Touch Screen Tablet [online] [retrieved Jul. 1, 2013].
 Retrieved from the Internet: <URL: www.cashregisterstore.com/
 xcart/product.php?productid=4675&cat=2799&page= 1>.
 (undated) 3 pages.
 Casio VR 100 Till EPOS Systems, Android App Suppliers, Software
 Company [online] [retrieved Jul. 1, 2013]. Retrieved from the
 Internet: <URL: www.casiovr100.co.uk>. (dated 2012) 4 pages.
 Casio V-R100 Android Terminal [Retrieved from the Internet:
 <URL: http://www.cev.ie>. (dated Apr. 16, 2013) 6 pages.
 http://touchstreamdigital.com/featured-products/introducing-the-
 elo-paypoint-pos-has-never-looked-this-good/ Found Sep. 2, 2015.
 https://www.youtube.com/watch?v=mLKAxwgWNRE Published
 Oct. 9, 2014 Found Sep. 2, 2015.
 POS Software and Hardware, Retail and Restaurant POS Systems,
 Security cameras, DVR, Recorders, Portable Inventory | Interna-
 tional Point of Sale [online] [retrieved Jul. 1, 2013]. Retrieved from
 the Internet: <URL: www.internationalpointofsale.com/
 completepos.html>. (dated 2009) 4 pages.
 Posiflex XP3315 Series Electronic Cash Register (ECR) [online]
 [retrieved Jul. 1, 2013]. Retrieved from the Internet: <URL: www.
 posiflexusa.com/xp3315.php>. (dated 2013) 1 page.
 Wholesale All in one touch POS machine touch screen terminal cash
 register wireless meals ordering set, \$397.1~418.0/Set | DHgate
 [online] [retrieved Jul. 1, 2013]. Retrieved from the Internet: <URL:
 www.dhgate.com/product/all-in-one-touch-pos-machine-touch-
 screen/135165997.html>. (undated) 1 page.

* cited by examiner

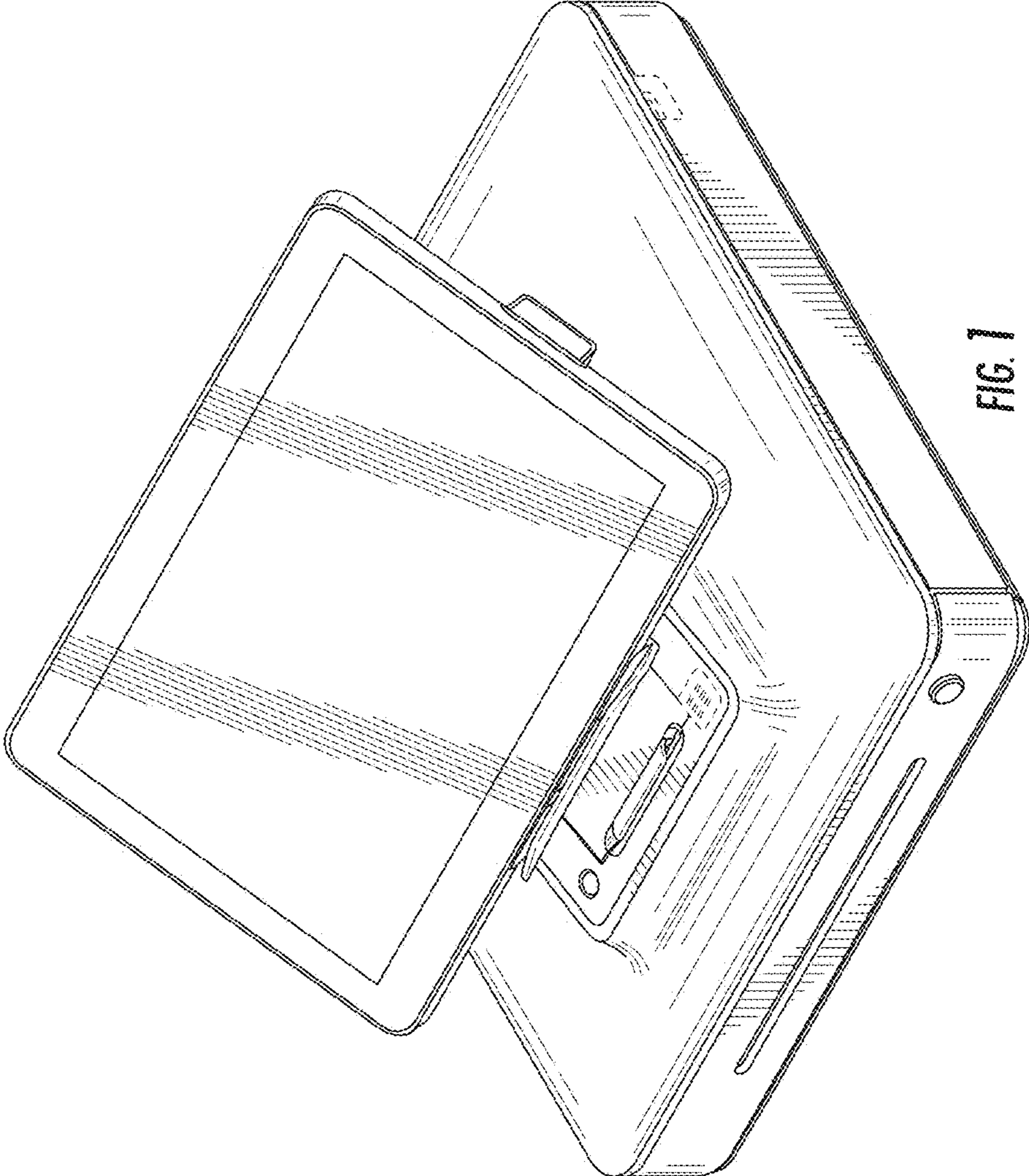


FIG. 1

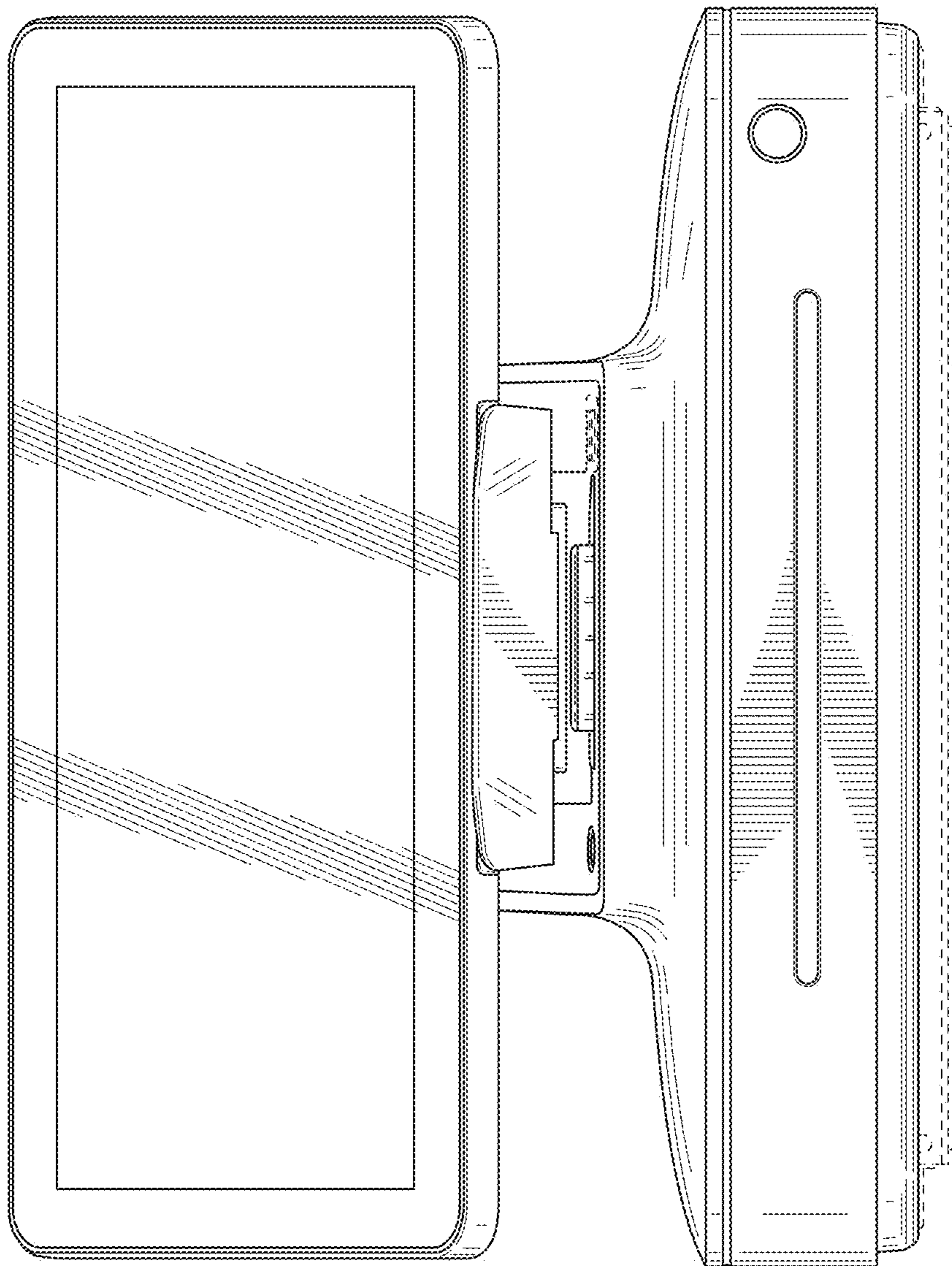


FIG. 2

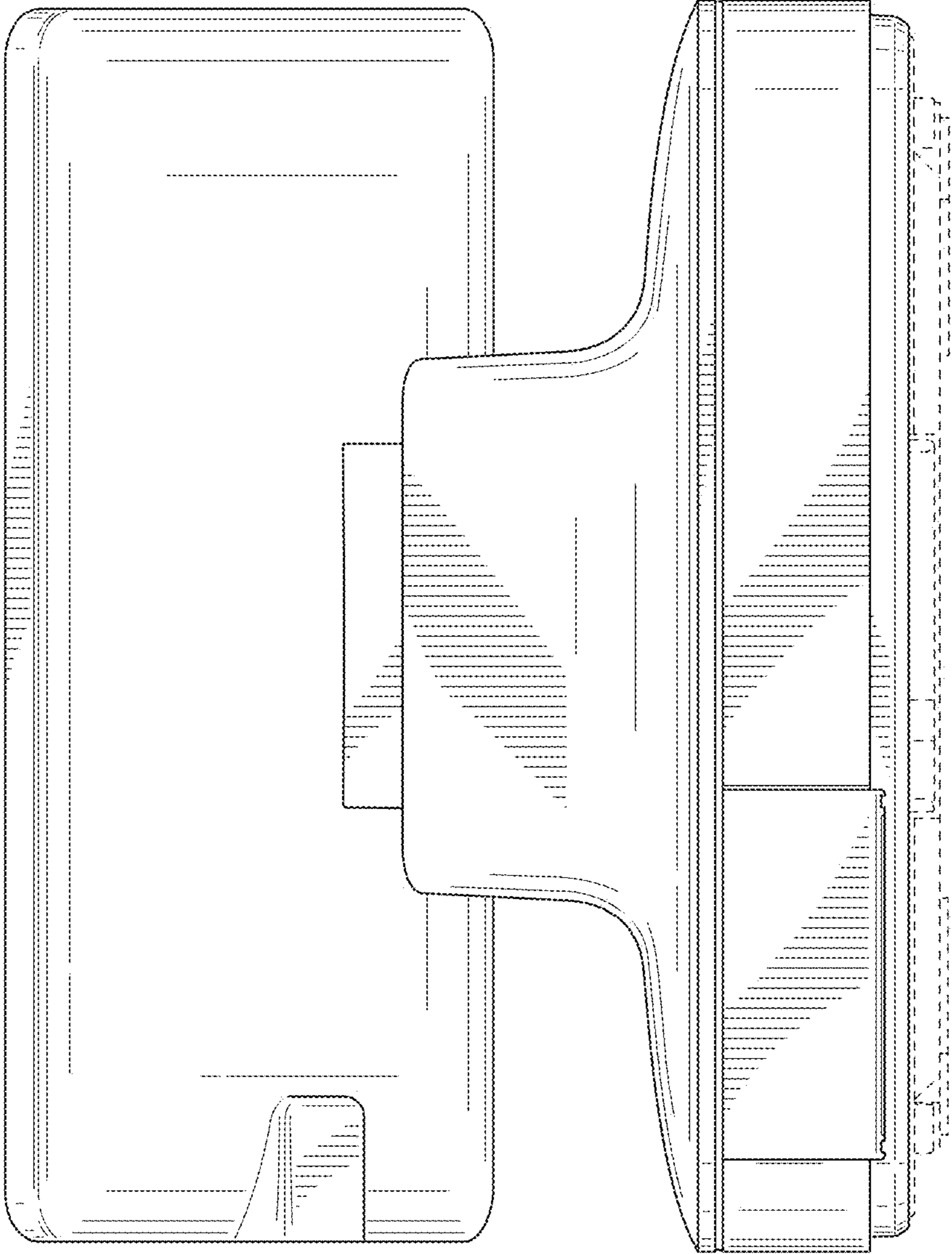


FIG. 3

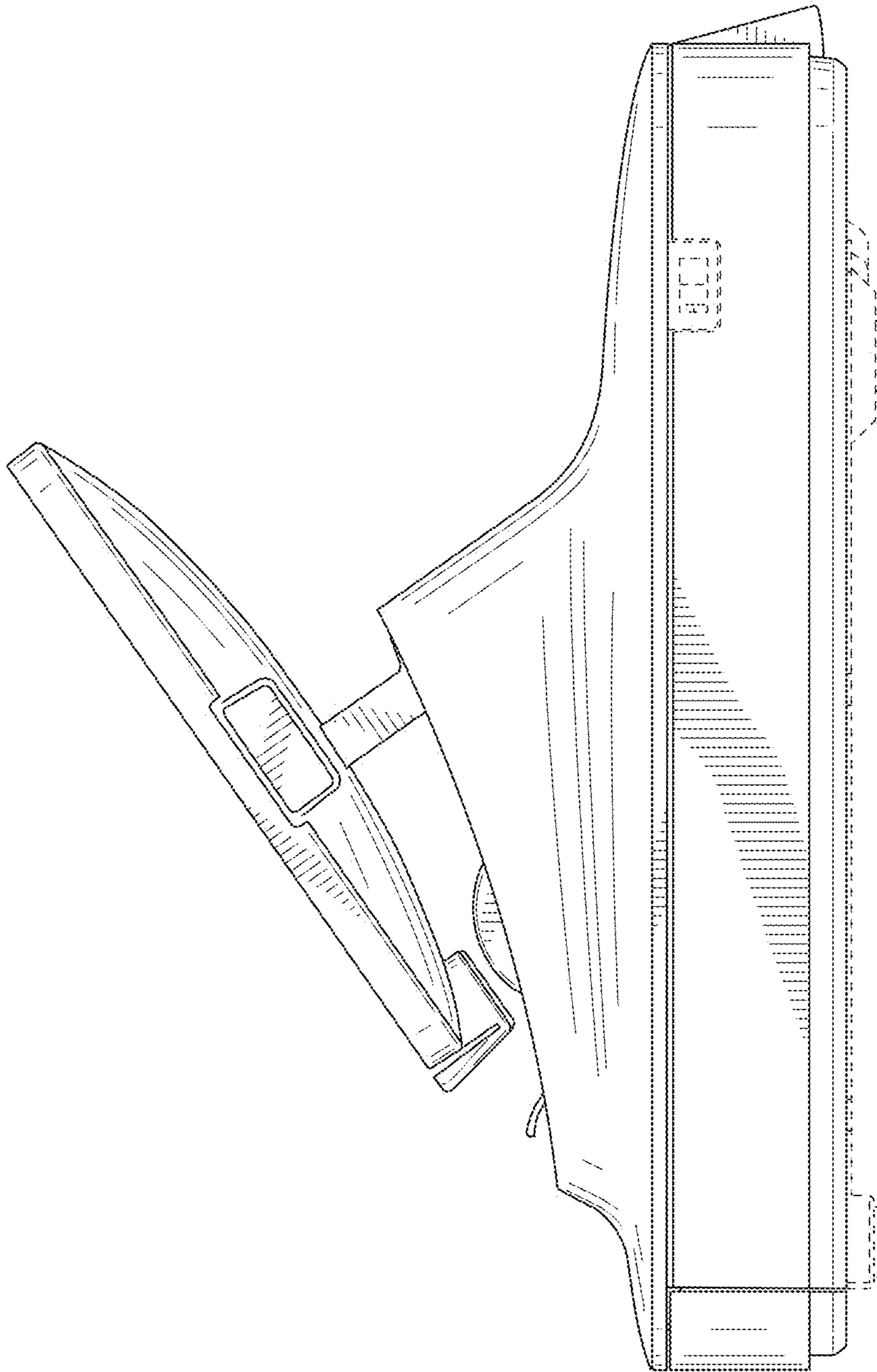


FIG. 4

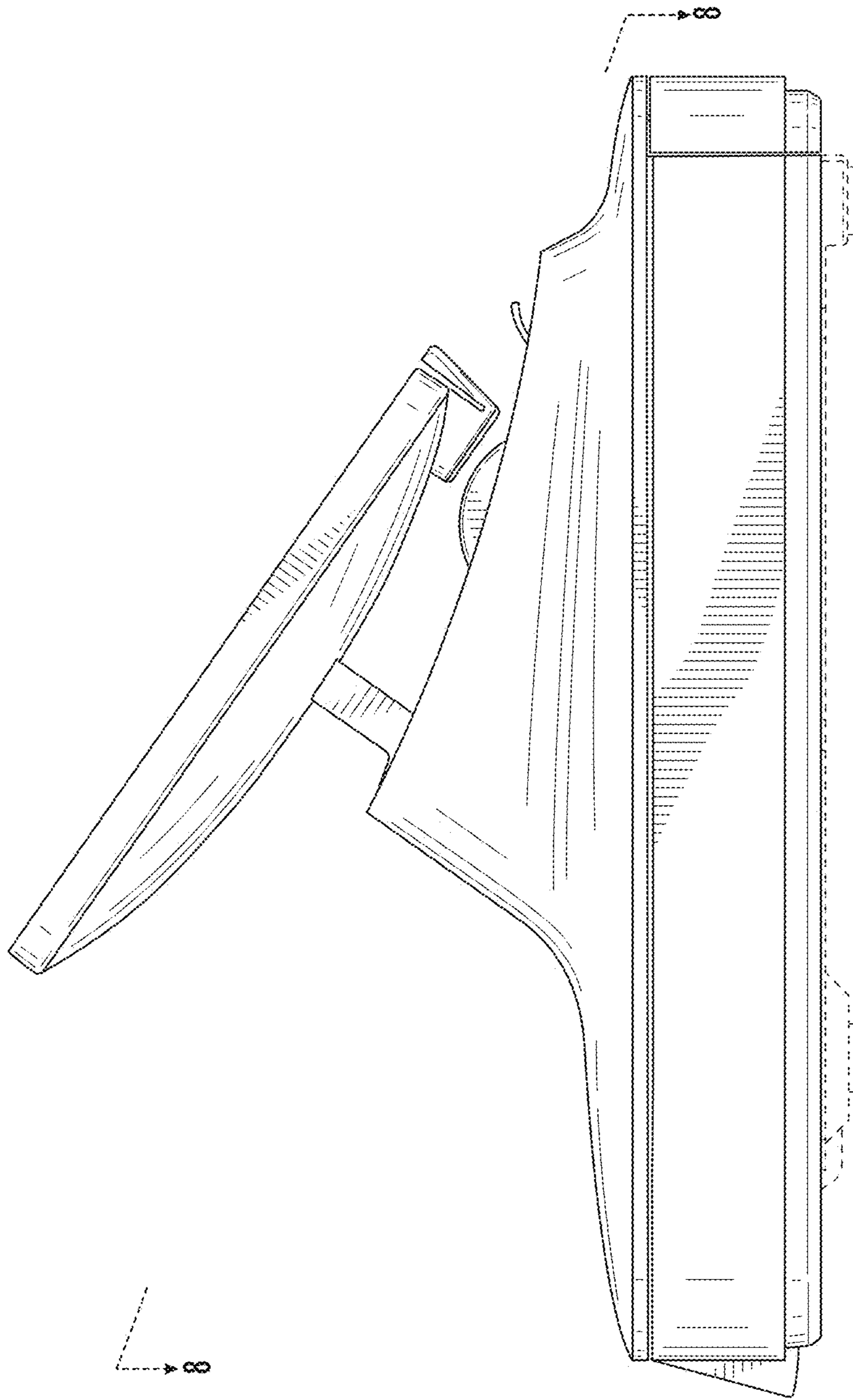


FIG. 5

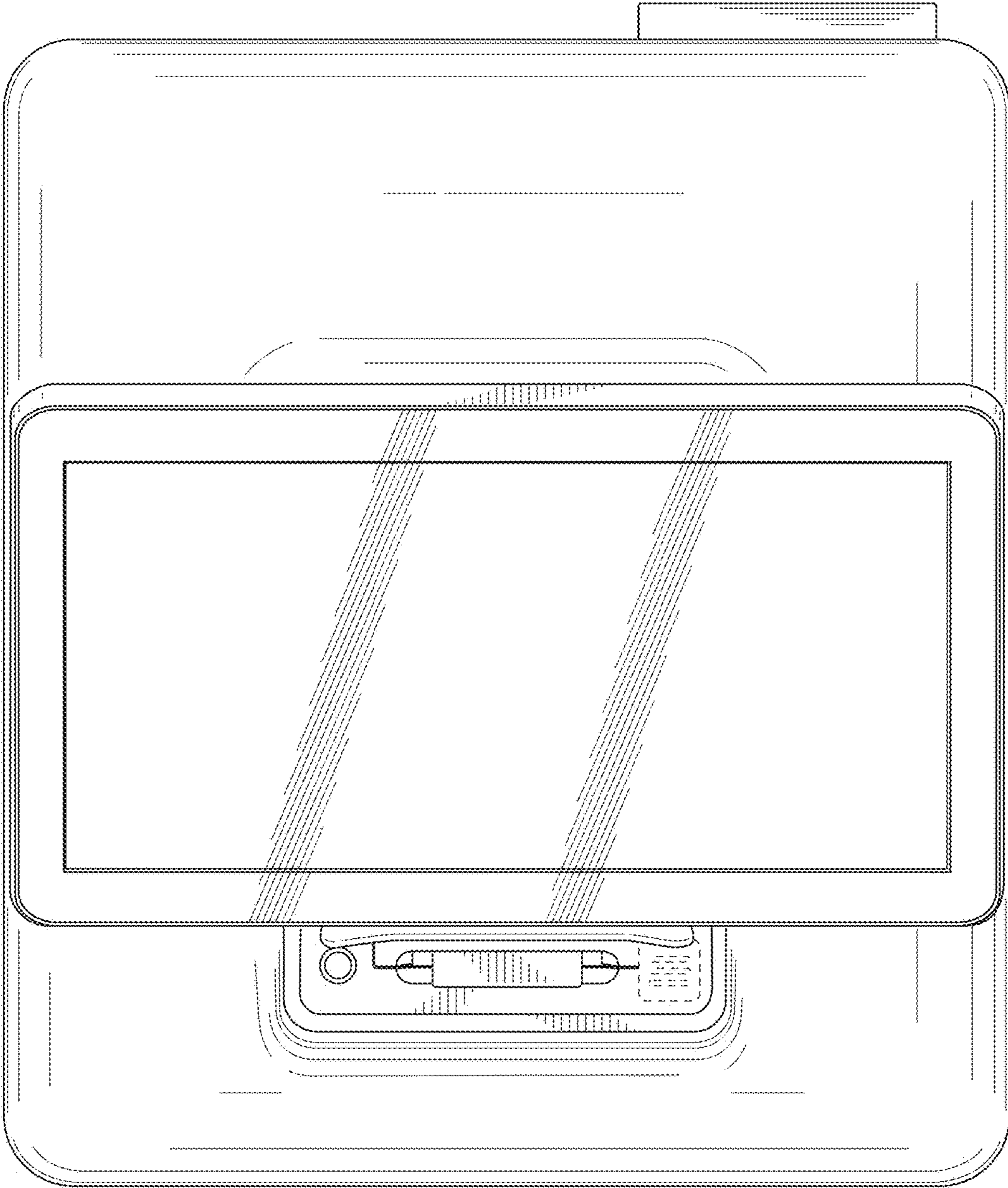


FIG. 6

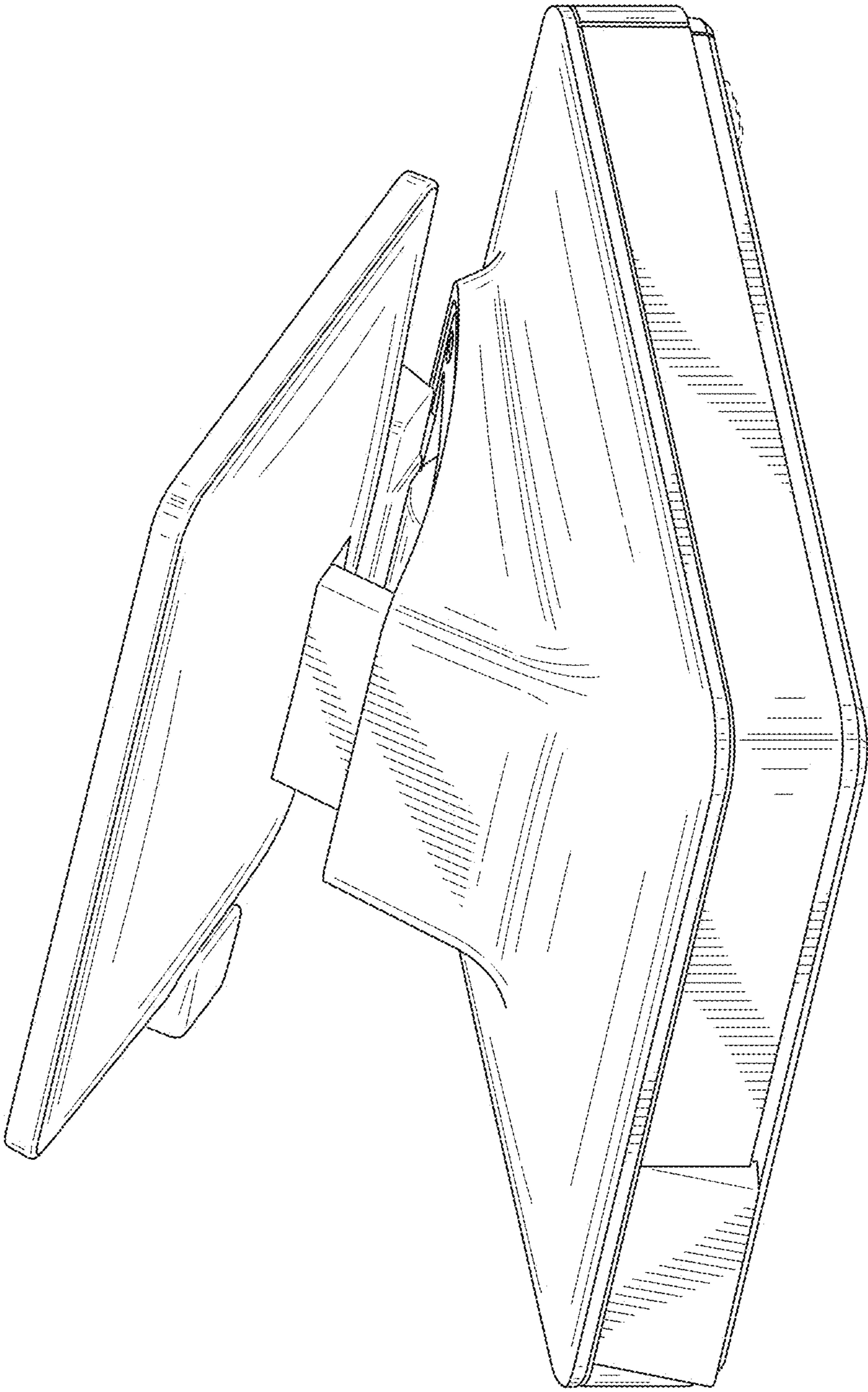


FIG. 7

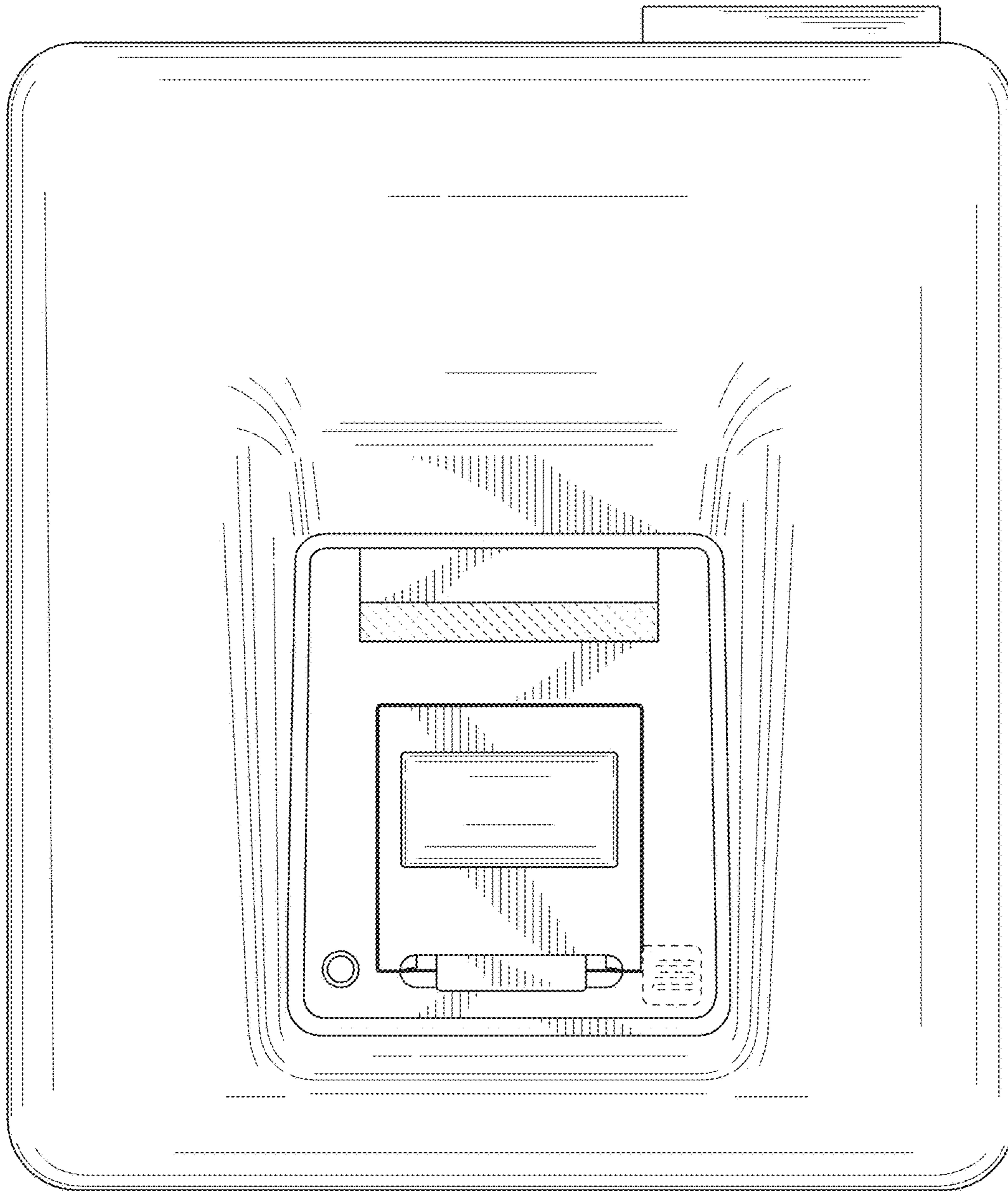


FIG. 8

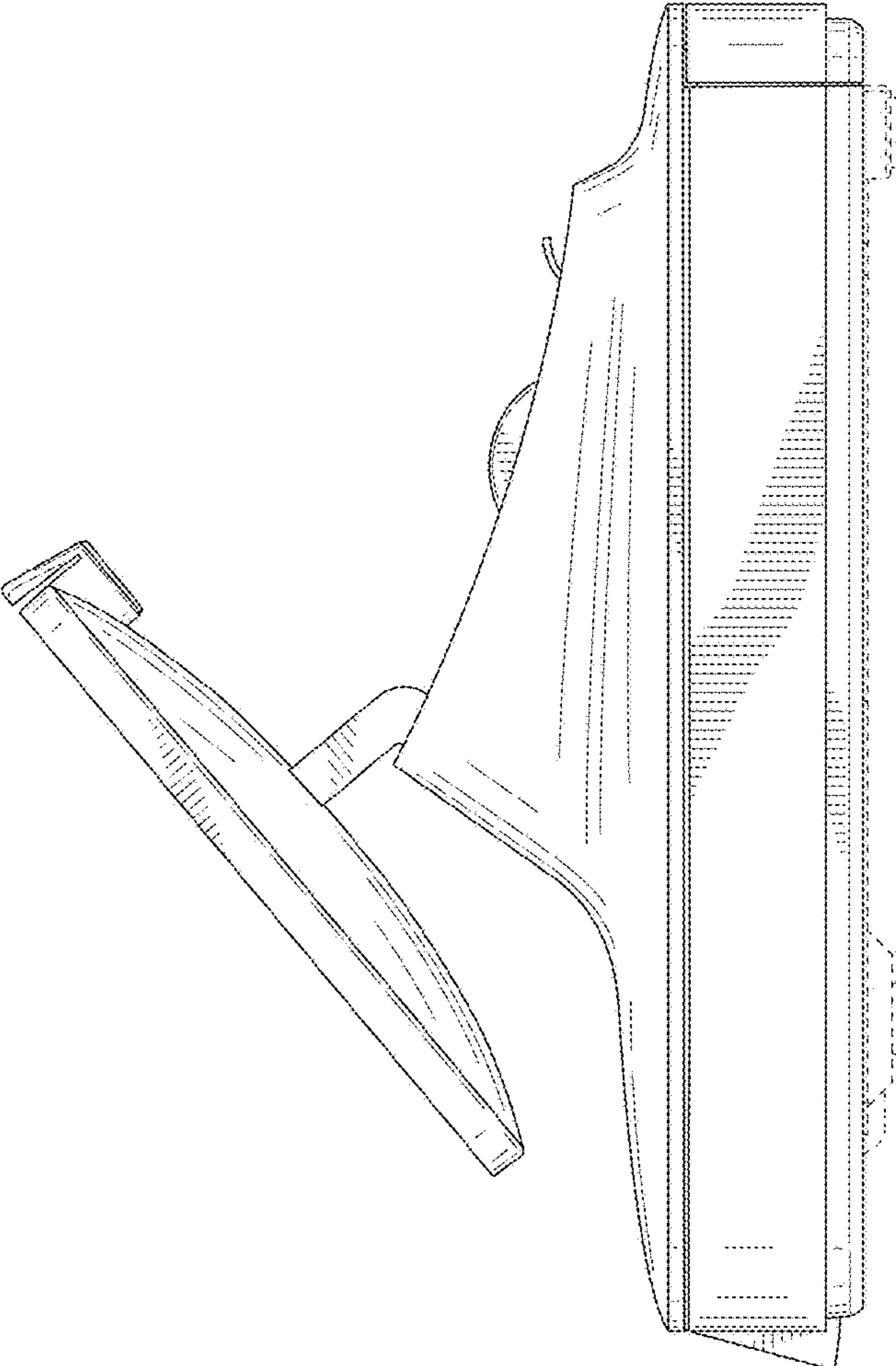


FIG. 9