



US00D806157S

(12) **United States Design Patent** (10) **Patent No.:** **US D806,157 S**
Marszalek, III et al. (45) **Date of Patent:** **** Dec. 26, 2017**

(54) **SECURITY CAMERA**
(71) Applicant: **Robert Bosch GmbH**, Stuttgart (DE)
(72) Inventors: **Andrew A. Marszalek, III**, New Cumberland, PA (US); **Steven E. Garlock**, Lancaster, PA (US); **Nuno R. Lemos Silva**, Albergaria-a-Velha (PT)

D572,288 S 7/2008 Neoh et al.
D576,651 S 9/2008 Willis et al.
D576,652 S 9/2008 Willis
D576,653 S 9/2008 Malthouse
D583,845 S 12/2008 Hayashi et al.
D604,350 S 11/2009 Fujii et al.
D610,725 S 2/2010 Georgitsis et al.

(Continued)

(73) Assignee: **Robert Bosch GmbH**, Stuttgart (DE)

(**) Term: **15 Years**

(21) Appl. No.: **29/549,673**

(22) Filed: **Dec. 28, 2015**

(51) **LOC (10) Cl.** **16-05**

(52) **U.S. Cl.**
USPC **D16/219**; D16/203

(58) **Field of Classification Search**
USPC D16/200, 202-205, 208, 218, 219, 242;
348/143, 148, 151, 373-376; 396/419,
396/427, 535, 539-541
CPC G03B 17/02; G03B 19/04; G03B 17/56;
G03B 17/04; G03B 15/03; H04N 5/2251;
H04N 5/2252; H04N 5/2253; H04N
5/2254; H04N 7/181; H04N 7/183; H04N
7/18; G08B 13/1963; G08B 13/19619;
G08B 13/19632; F16M 11/04; F16M
13/00

See application file for complete search history.

(56) **References Cited**

U.S. PATENT DOCUMENTS

D230,189 S 1/1974 Dietz et al.
3,916,097 A 10/1975 Imai
4,736,218 A 4/1988 Kutman
D372,995 S 8/1996 Huang
D436,192 S 1/2001 Hussaini et al.
D452,697 S 1/2002 Fallowfield et al.
D554,170 S 10/2007 Grotto
D555,691 S 11/2007 Kato et al.
D558,249 S 12/2007 Hsia

OTHER PUBLICATIONS

Bosch MIC-612HIALB36N Thermal Camera (50 mm, Black, NTSC) <http://www.bhphotovideo.com/c/product/880460-REG/Bosch_f_01u_261_016_MIC_Series_612_Thermal.html> webpage accessed Dec. 3, 2015.

(Continued)

Primary Examiner — Philip S Hyder

Assistant Examiner — Ramzi Almatrahi

(74) *Attorney, Agent, or Firm* — Michael Best & Friedrich LLP

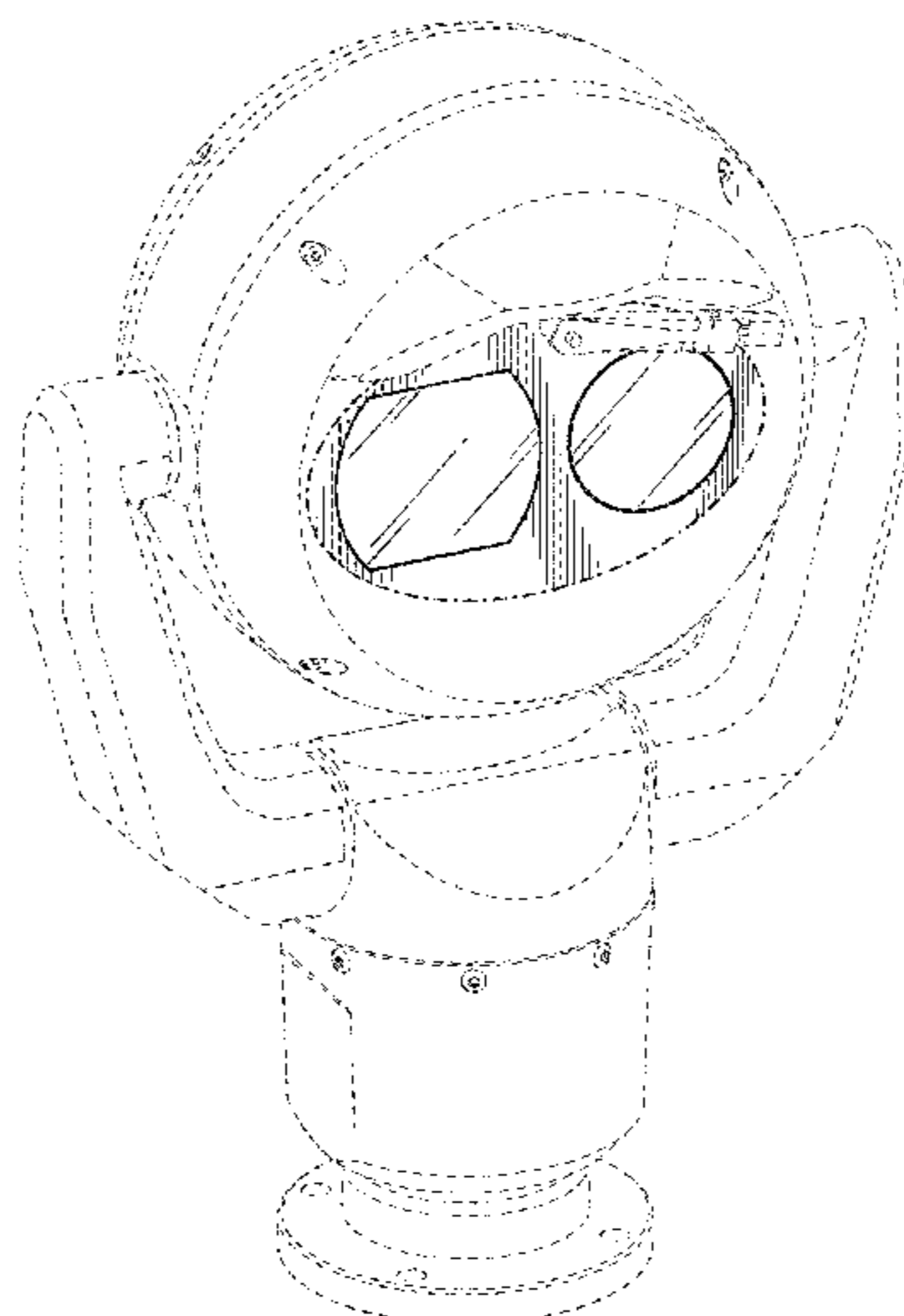
(57) **CLAIM**

We claim the ornamental design for a security camera, as shown and described.

DESCRIPTION

FIG. 1 is a perspective view of a security camera. FIG. 2 is a side view of the security camera of FIG. 1. FIG. 3 is an opposite side view of the security camera of FIG. 1. FIG. 4 is a front view of the security camera of FIG. 1. FIG. 5 is a rear view of the security camera of FIG. 1. FIG. 6 is a top view of the security camera of FIG. 1; and, FIG. 7 is a bottom view of the security camera of FIG. 1. The broken lines depict portions of the security camera in which the design is embodied that form no part of the claimed design. Additionally, the dash-dot lines denote the boundary of the claim and form no part of the claimed design.

1 Claim, 6 Drawing Sheets



(56)

References Cited

U.S. PATENT DOCUMENTS

D649,175 S	11/2011	Willis	
D679,308 S	4/2013	Park et al.	
8,408,764 B2	4/2013	Chung et al.	
D697,241 S	1/2014	Chen	
D704,365 S	5/2014	Adams	
D716,863 S *	11/2014	Zutell	D16/203
D716,985 S *	11/2014	Jones	D16/208
D757,835 S *	5/2016	Tabuchi	D16/203
D776,739 S *	1/2017	Urashima	D16/203
2003/0117809 A1	6/2003	Jong	

OTHER PUBLICATIONS

FLIR D-Series Long Range Thermal Security Camera <<http://www.flir.com/security/display/?id=44262>> webpage accessed Dec. 18, 2015.

AXIS Q8721-E Dual PTZ Network Camera <<http://www.axis.com/us/en/products/axis-q8721-e>> webpage accessed Dec. 18, 2015.

Ship video camera/ night vision/ thermal/ fixed JM612-TM LeadEx System Company Limited <<http://www.nauticexpo.com/prod/leadex-system-company-limited/product-32508-220816.html>> webpage accessed Dec. 18, 2015.

MIC Series 550 Camera, Product Fact Sheet, Bosch Security <URL: http://stna.resource.bosch.com/documents/MIC_Series_550_Data_sheet_enUS_18014400835618955.pdf> retrieved from Internet Apr. 26, 2013.

MIC Series 400 Stainless Steel Camera, Product Fact Sheet, Bosch Security <URL: http://stna.resource.bosch.com/documents/MIC_400_Series_Data_sheet_enUS_2307654283.pdf> retrieved from Internet Apr. 26, 2013.

MIC Series 412TI Thermal Camera, Product Fact Sheet, Bosch Security, Jun. 11, 2012 <URL: http://stna.resource.bosch.com/documents/Data_sheet_enUS_2317502987.pdf> retrieved from Internet Jun. 11, 2012.

MIC Series 440 Explosion-Protected Camera, Product Fact Sheet, Bosch Security <URL: http://stna.resource.bosch.com/documents/MIC_Series_440_Data_sheet_enUS_2322412683.pdf> retrieved from Internet May 13, 2013.

MIC Series 550 Infrared Camera, Product Fact Sheet, Bosch Security <URL: http://stna.resource.bosch.com/documents/MIC_Series_550_IR_Data_sheet_enUS_18014400835923979.pdf> retrieved from Internet Apr. 26, 2013.

MIC Series 612 Thermal Camera, Product Fact Sheet, Bosch Security <URL: http://stna.resource.bosch.com/documents/MIC_Series_612_Data_sheet_enUS_7880732043.pdf> retrieved from Internet Jun. 21, 2013.

* cited by examiner

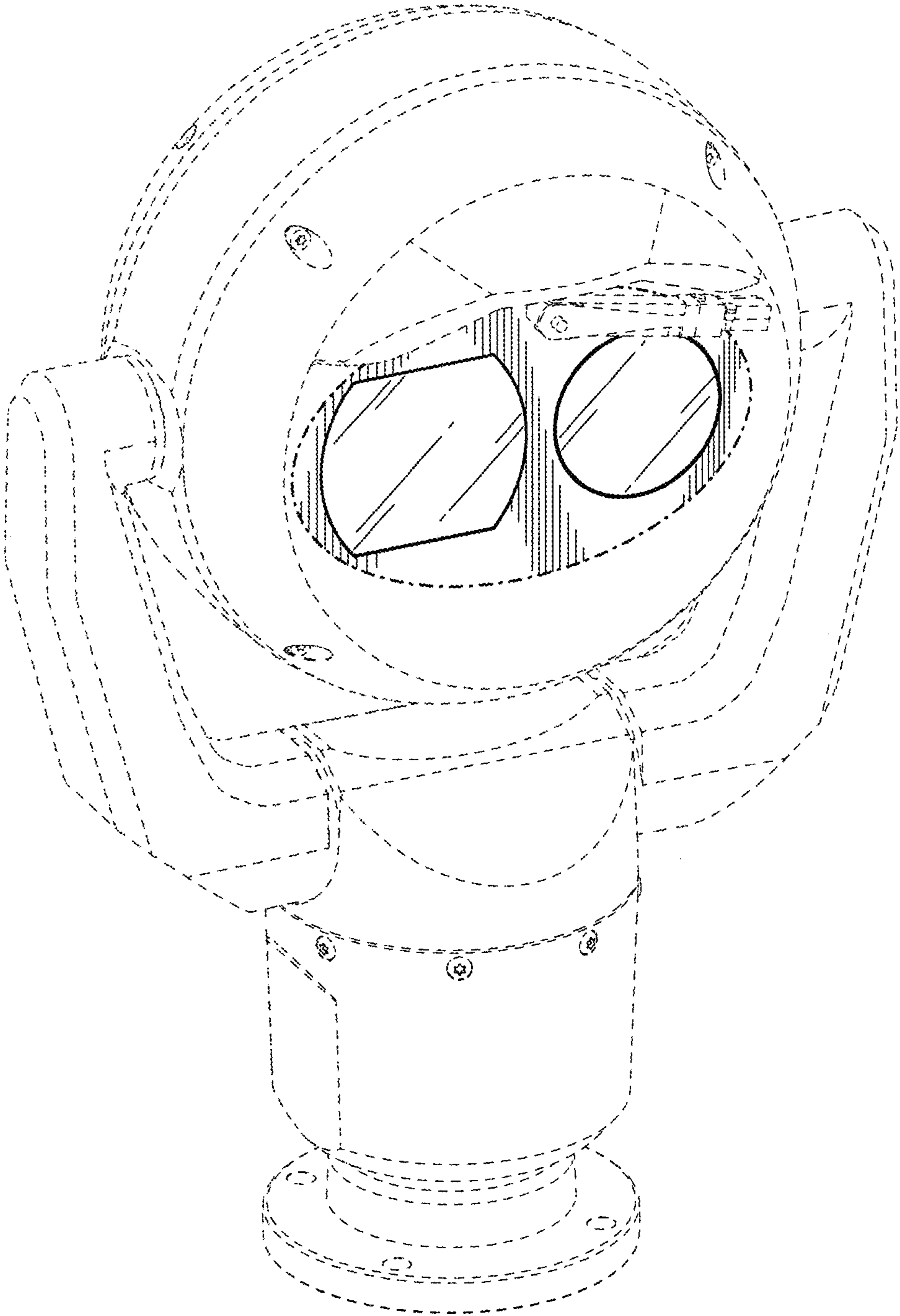


FIG. 1

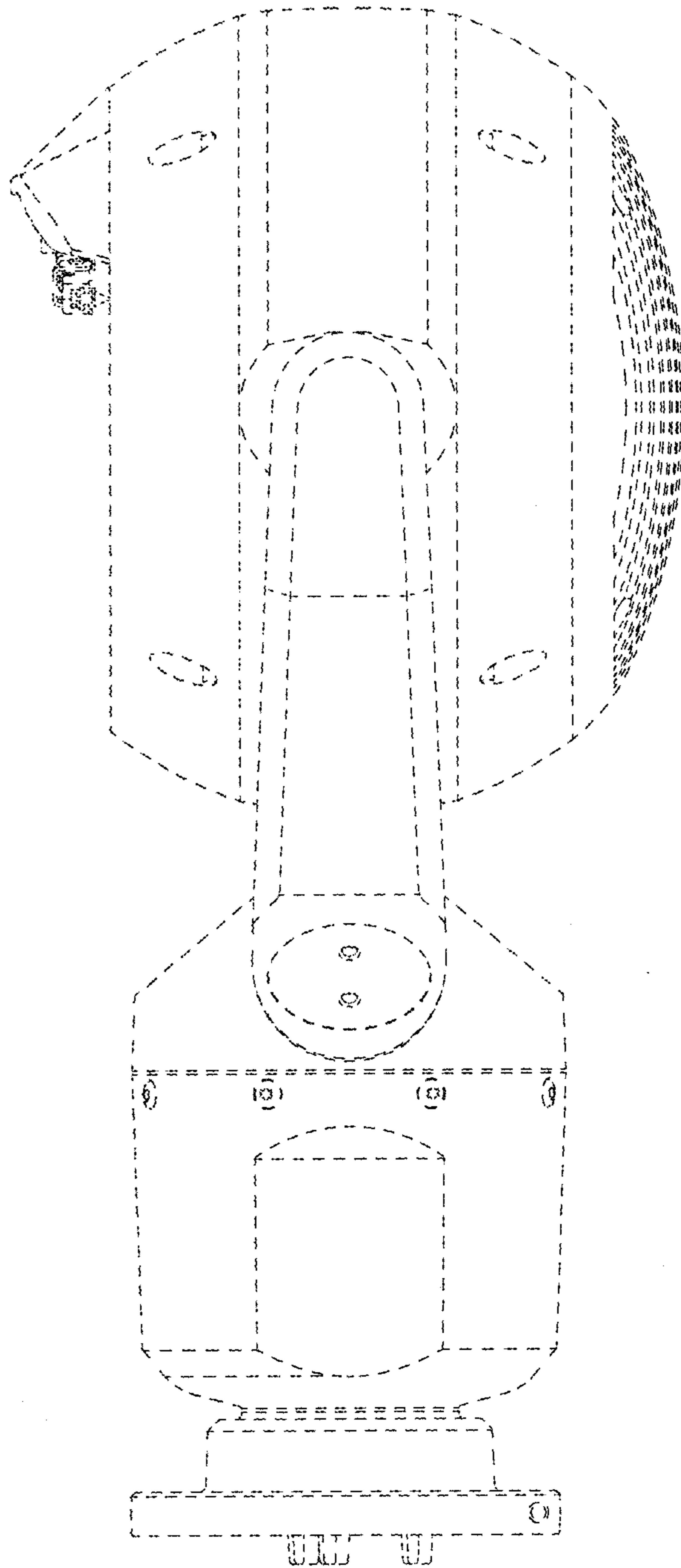


FIG. 2

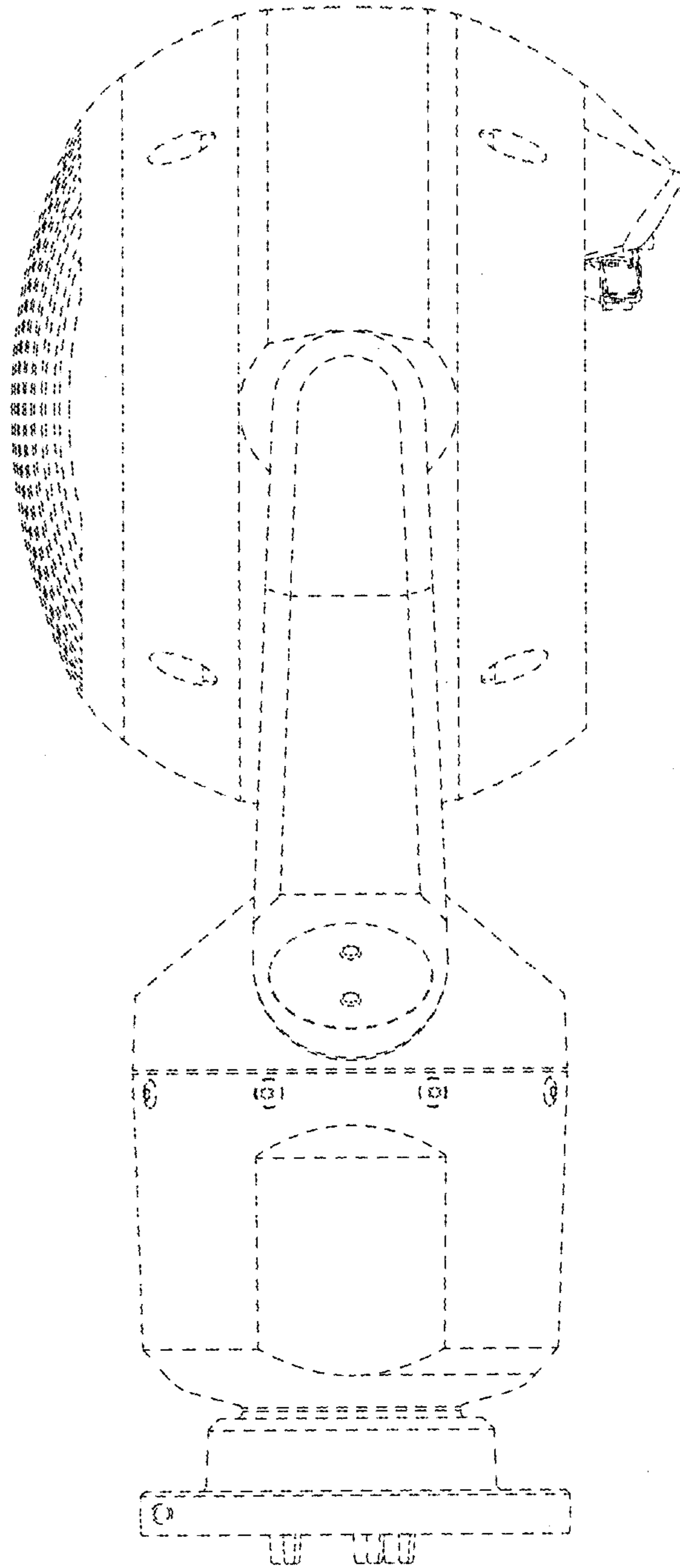


FIG. 3

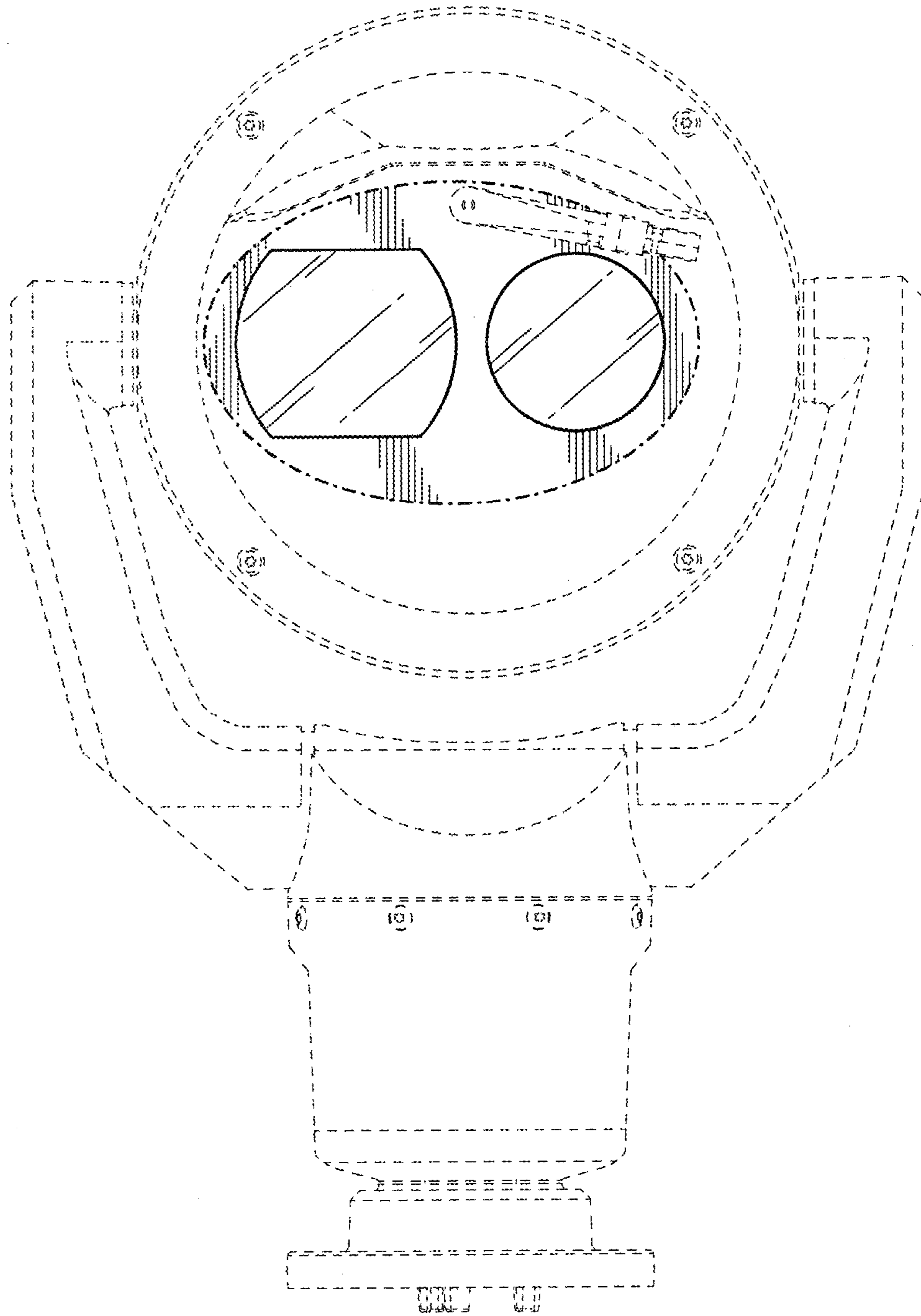


FIG. 4

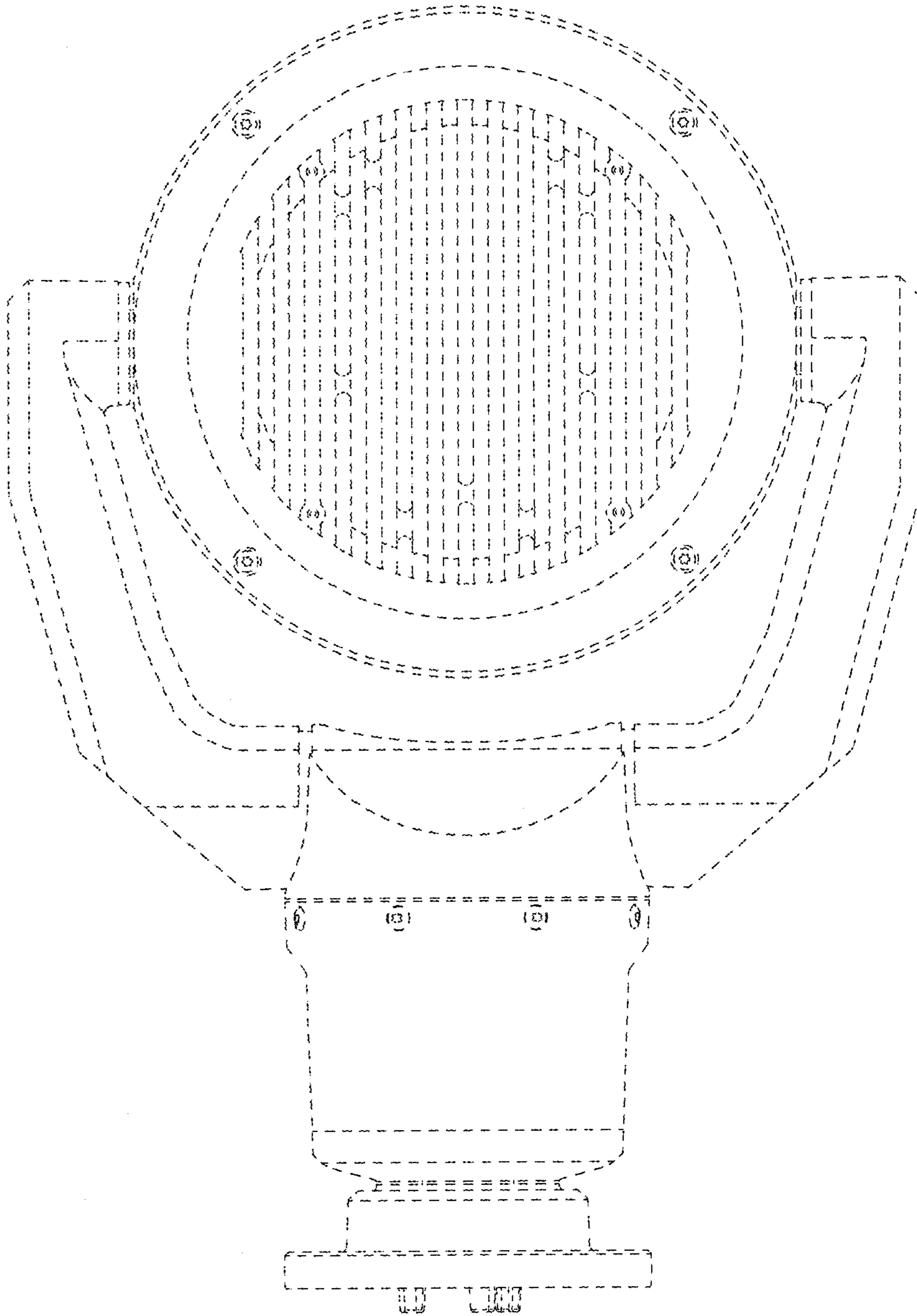


FIG. 5

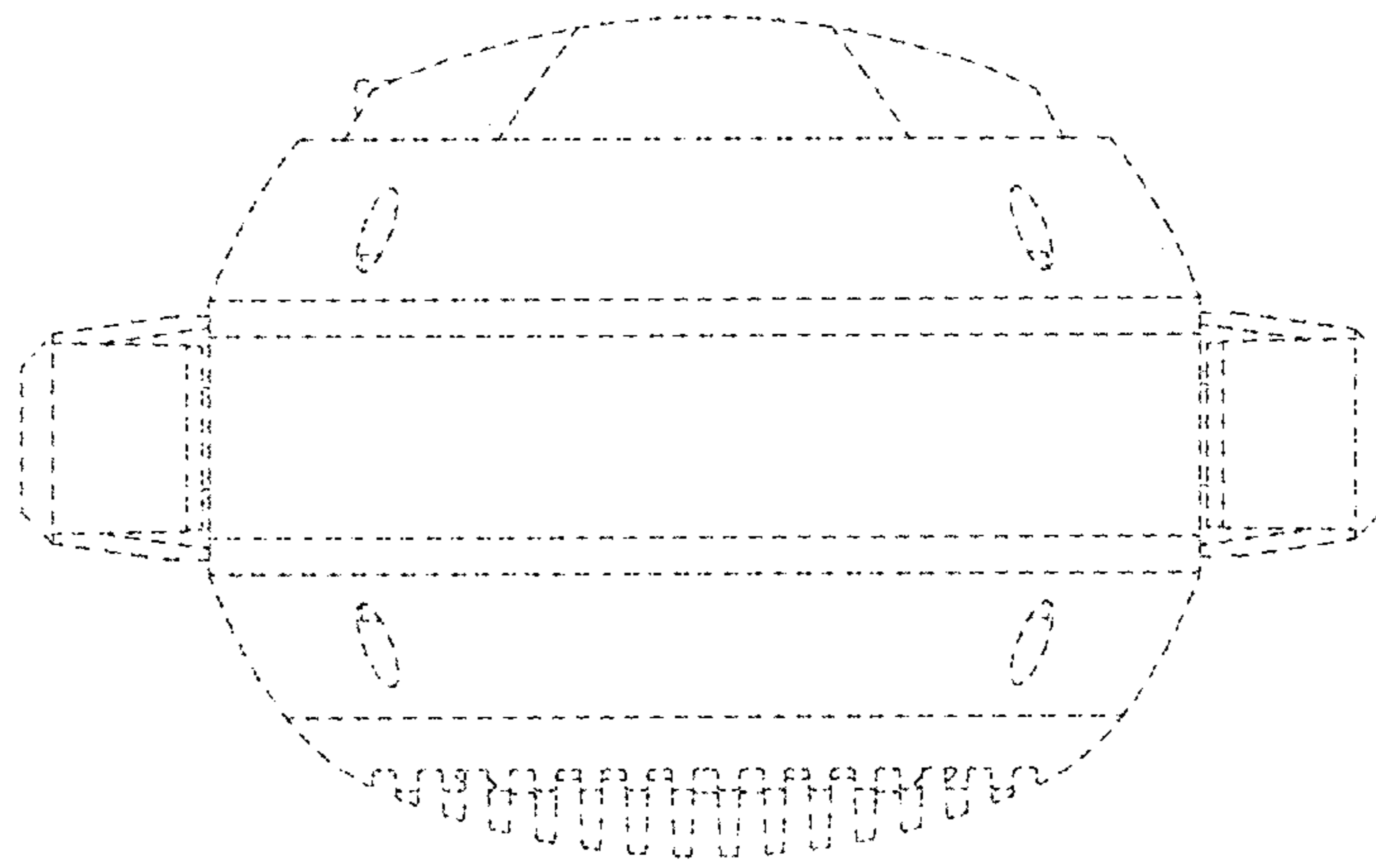


FIG. 6

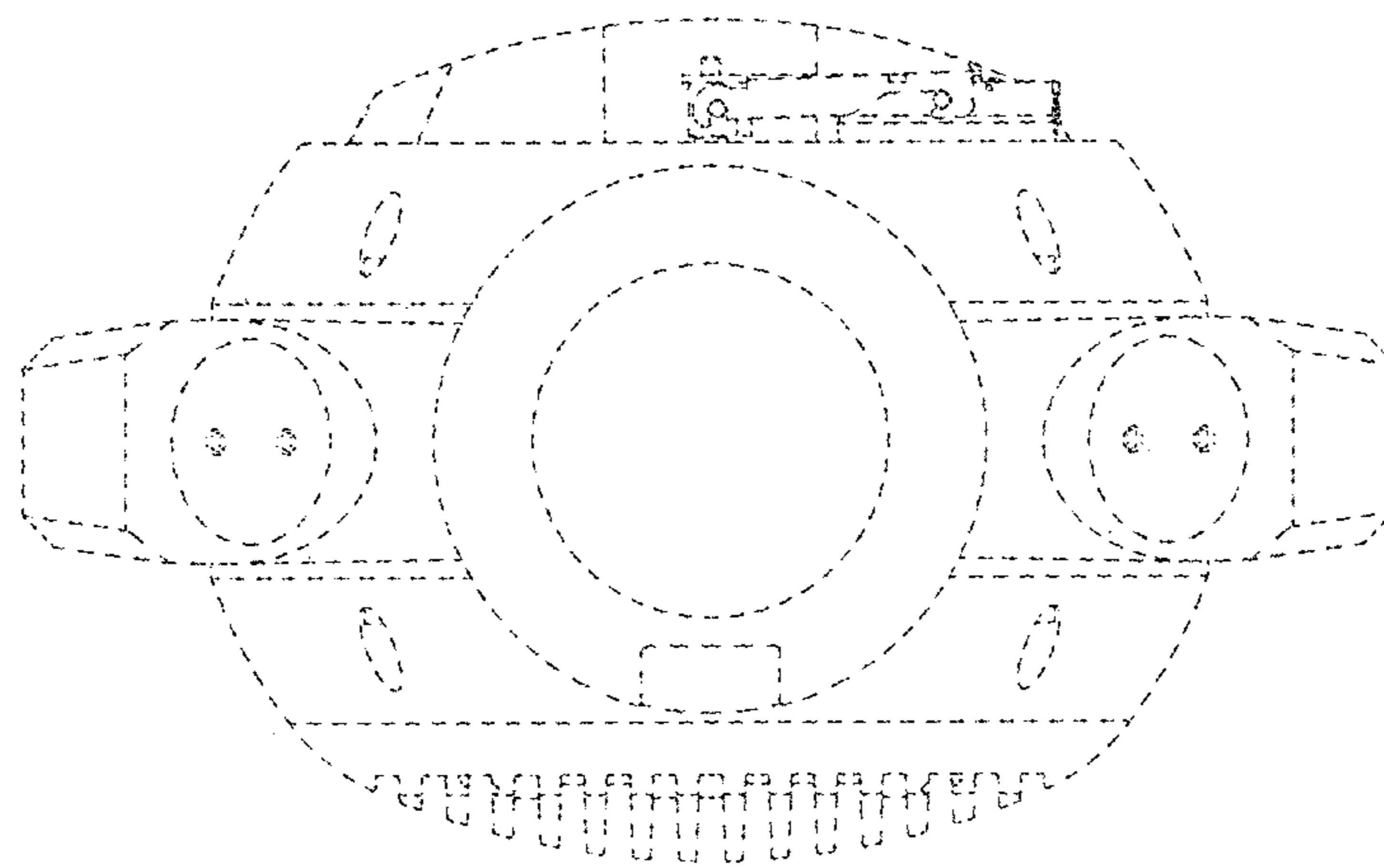


FIG. 7