



US00D806154S

(12) **United States Design Patent** (10) **Patent No.:** **US D806,154 S**  
**Shi** (45) **Date of Patent:** **\*\* Dec. 26, 2017**

(54) **VIDEO CAMERA**

(71) Applicant: **HANGZHOU HIKVISION DIGITAL TECHNOLOGY CO., LTD**, Binjiang District, Hangzhou (CN)

(72) Inventor: **Qiang Shi**, Binjiang District (CN)

(73) Assignee: **Hangzhou Hikvision Digital Technology Co., Ltd** (CN)

(\*\*) Term: **15 Years**

(21) Appl. No.: **29/558,996**

(22) Filed: **Mar. 23, 2016**

(30) **Foreign Application Priority Data**

Dec. 25, 2015 (CN) ..... 2015 3 0558343

(51) **LOC (10) Cl.** ..... **16-01**

(52) **U.S. Cl.**  
USPC ..... **D16/202**

(58) **Field of Classification Search**  
USPC ..... D14/124, 125, 126, 129, 133, 314, 317,  
D14/336, 348-351, 356, 420; D16/200,  
D16/201, 202, 203, 205-221, 225, 232,  
D16/235; D15/199  
CPC ..... G03B 15/03; G03B 19/04; H04N  
5/2251-5/2254

See application file for complete search history.

(56) **References Cited**

**U.S. PATENT DOCUMENTS**

D150,006 S *	6/1948	Fung	.....	D21/577
D340,253 S *	10/1993	Fedorczak	.....	348/143
D389,500 S *	1/1998	Krekelberg	.....	D16/202
D446,534 S *	8/2001	Zimmer	.....	D16/203
D454,902 S *	3/2002	Hsu	.....	D16/202
D455,767 S *	4/2002	Tsang	.....	D16/202

D471,927 S *	3/2003	Kim	.....	D14/240
D475,381 S *	6/2003	Komatsu	.....	D16/202
D477,344 S *	7/2003	Ng	.....	D16/202
D478,922 S *	8/2003	Han	.....	D16/202
D481,404 S *	10/2003	Ng	.....	D16/202
D485,853 S *	1/2004	Daniels	.....	D16/203
D500,067 S *	12/2004	Liu	.....	D16/202
D503,182 S *	3/2005	Ogura	.....	D16/202
D507,007 S *	7/2005	Sitoh	.....	D16/202
D524,839 S *	7/2006	Wen	.....	D16/202
D527,755 S *	9/2006	Wu	.....	D16/202
D552,649 S *	10/2007	Logan	.....	D16/200
D561,798 S *	2/2008	Wen	.....	D16/202
D562,870 S *	2/2008	Komatsu	.....	D16/203
D590,863 S *	4/2009	Ke	.....	D16/202
D608,811 S *	1/2010	Frank	.....	D16/203
D628,223 S *	11/2010	Kao	.....	D16/202
D719,202 S *	12/2014	Lee	.....	D16/202

\* cited by examiner

*Primary Examiner* — Susan E Krakower

*Assistant Examiner* — L. A. Grabenstetter

(74) *Attorney, Agent, or Firm* — McAfee & Taft

(57) **CLAIM**

The ornamental design for a video camera, as shown and described.

**DESCRIPTION**

FIG. 1 is a front view of the video camera showing our new design.

FIG. 2 is a rear view of the video camera.

FIG. 3 is a top view of the video camera.

FIG. 4 is a bottom view of the video camera.

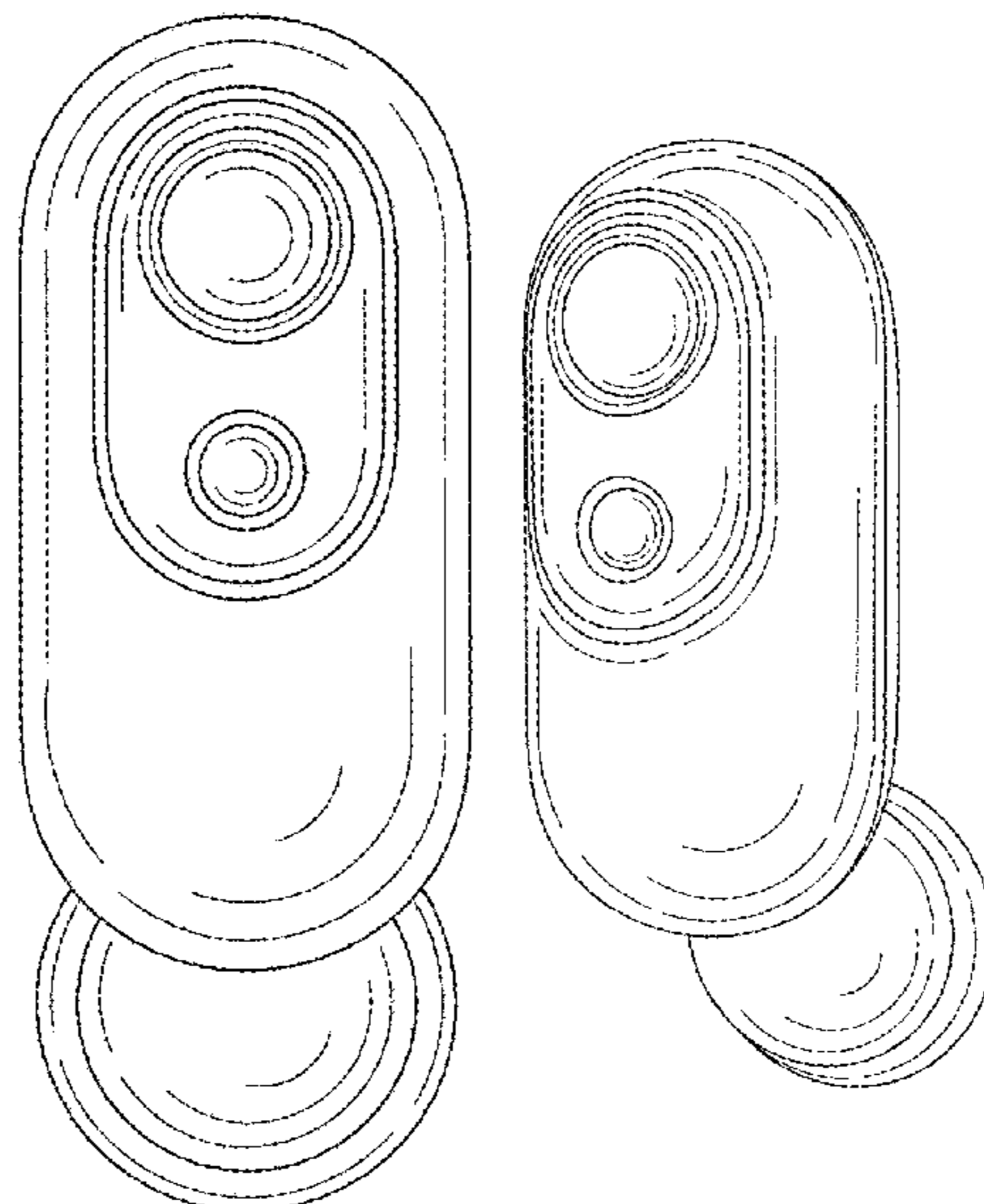
FIG. 5 is a right-side view of the video camera.

FIG. 6 is a left-side view of the video camera.

FIG. 7 is a front perspective view of the video camera; and, FIG. 8 is a rear perspective view of the video camera.

The broken lines in FIG. 1 depict unclaimed portions of the video camera.

**1 Claim, 3 Drawing Sheets**



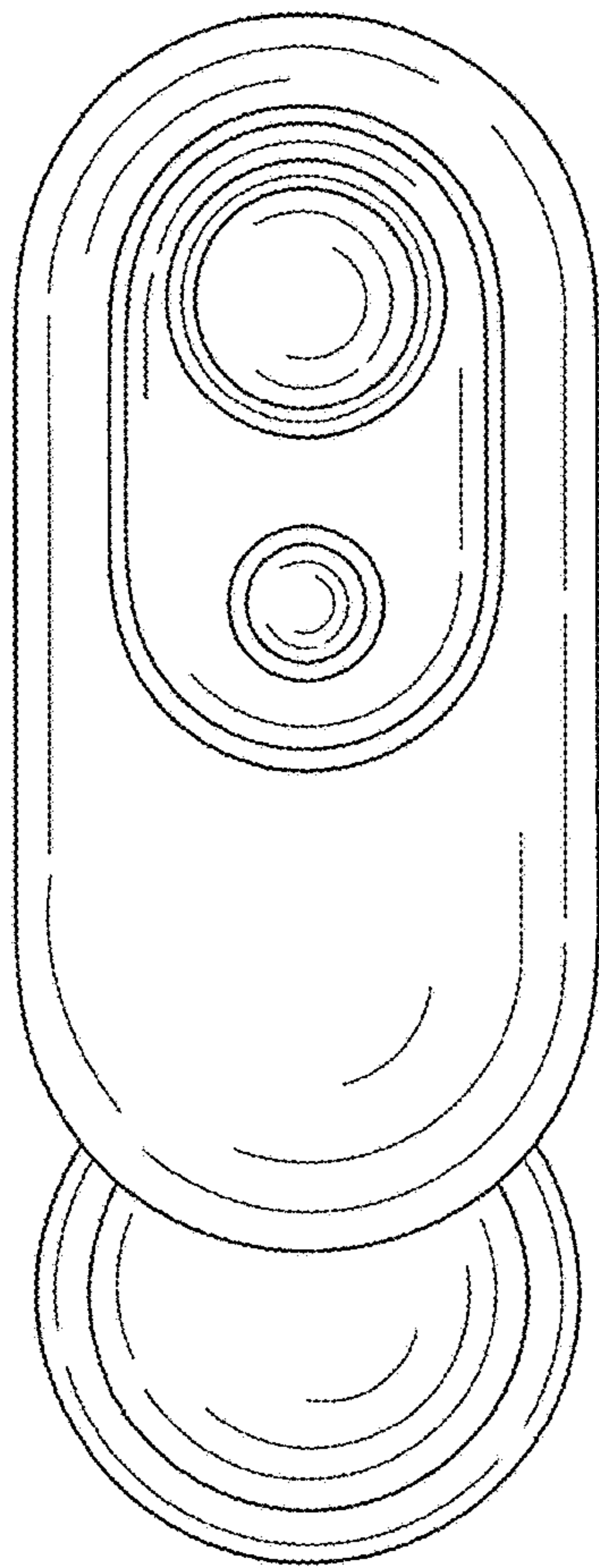


FIG. 1

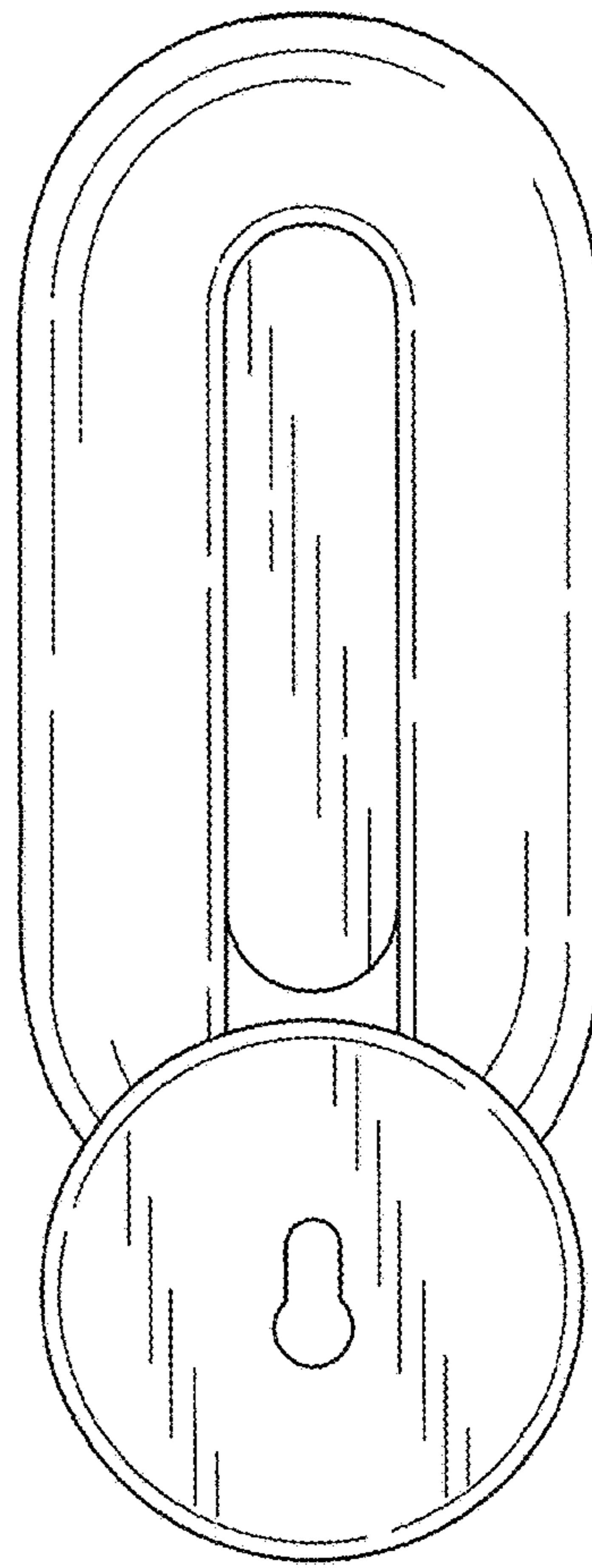


FIG. 2

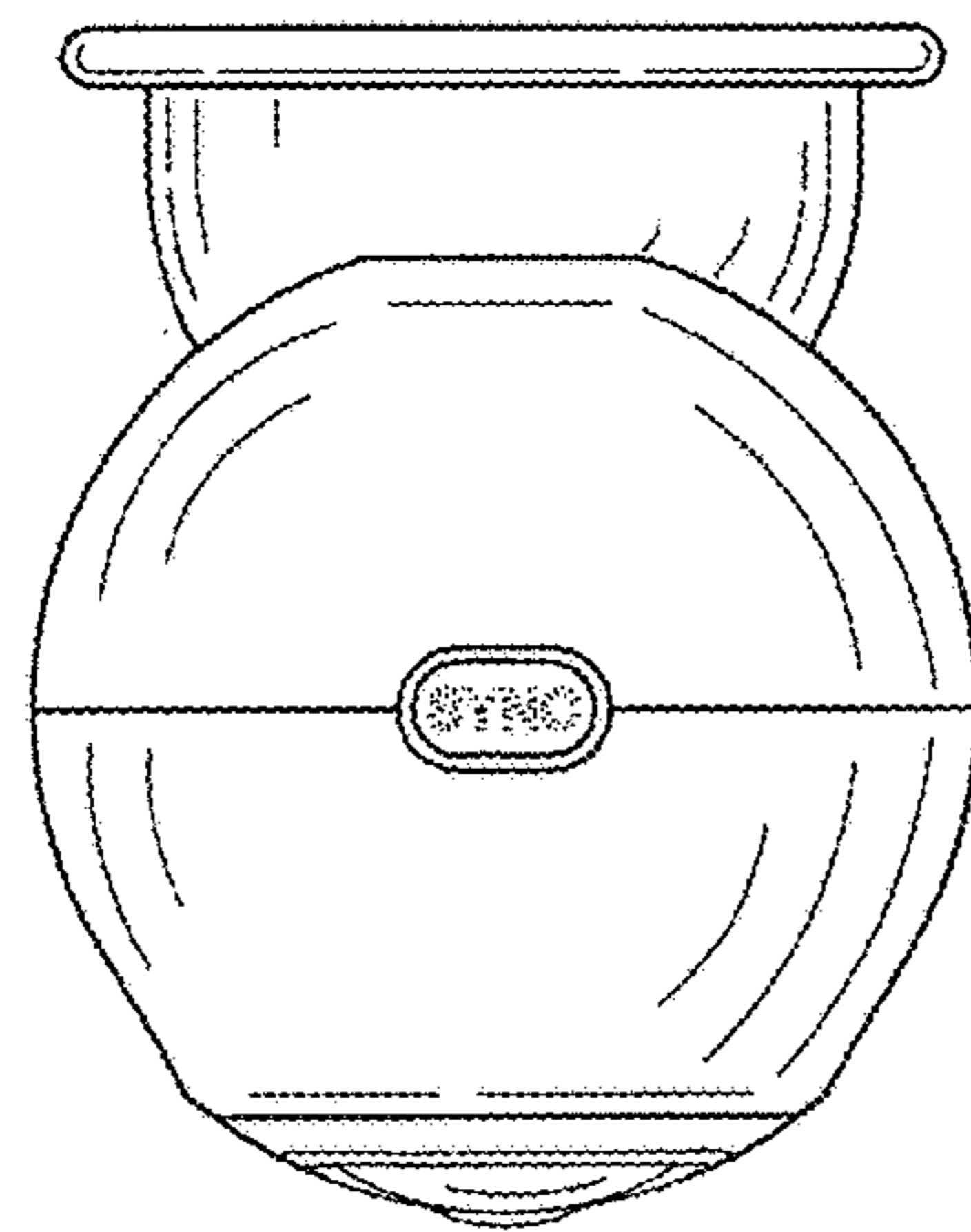


FIG. 3

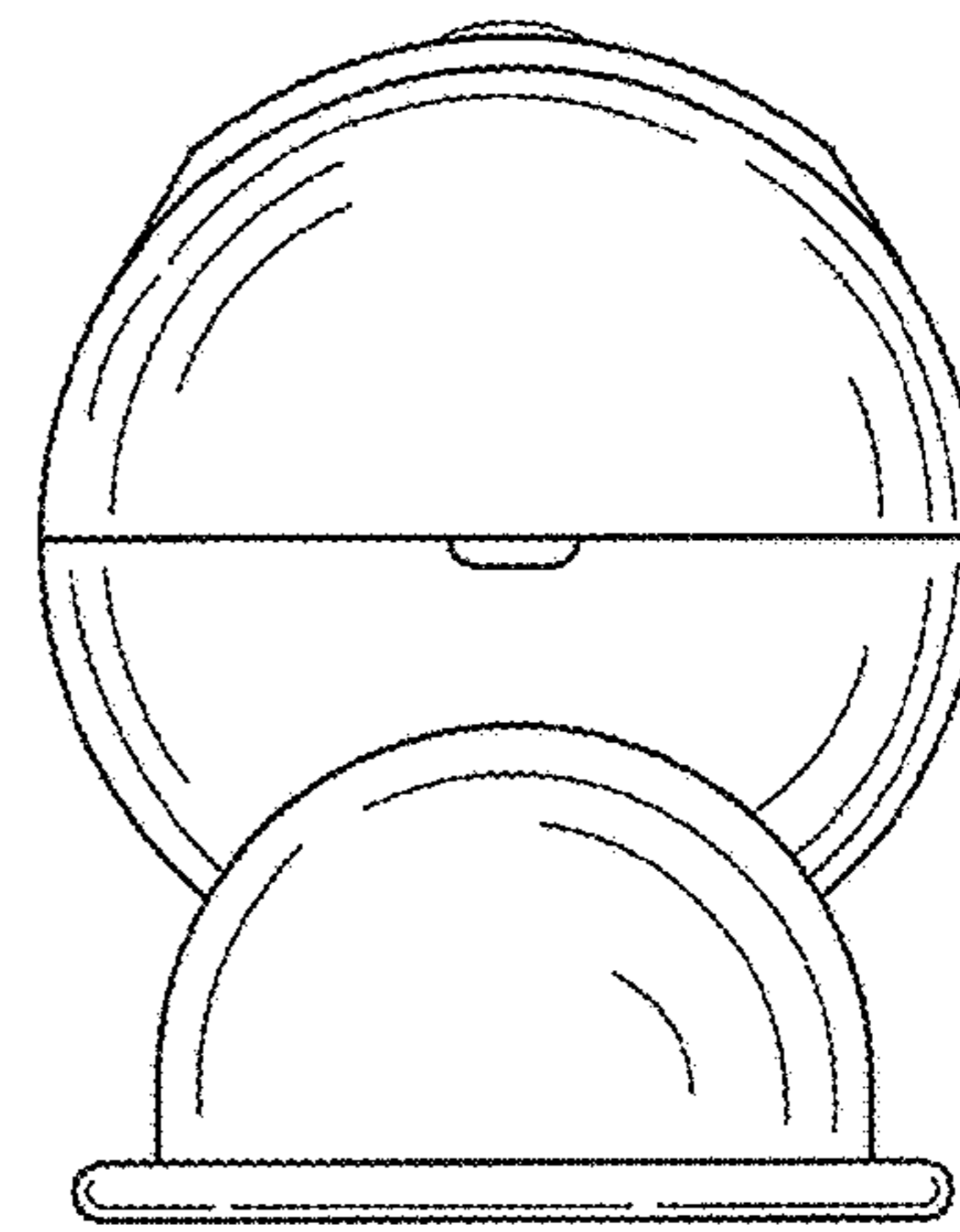


FIG. 4

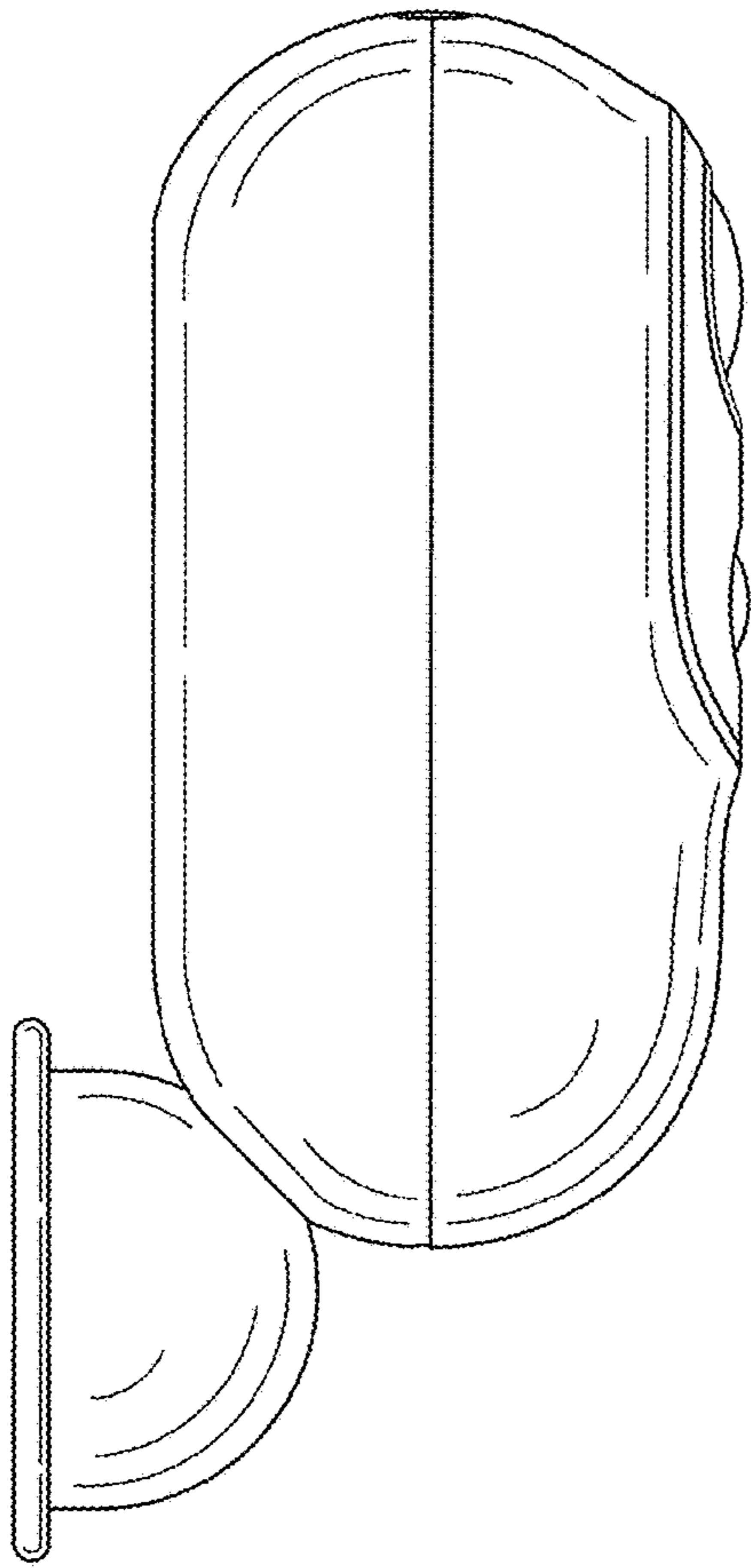


FIG. 5

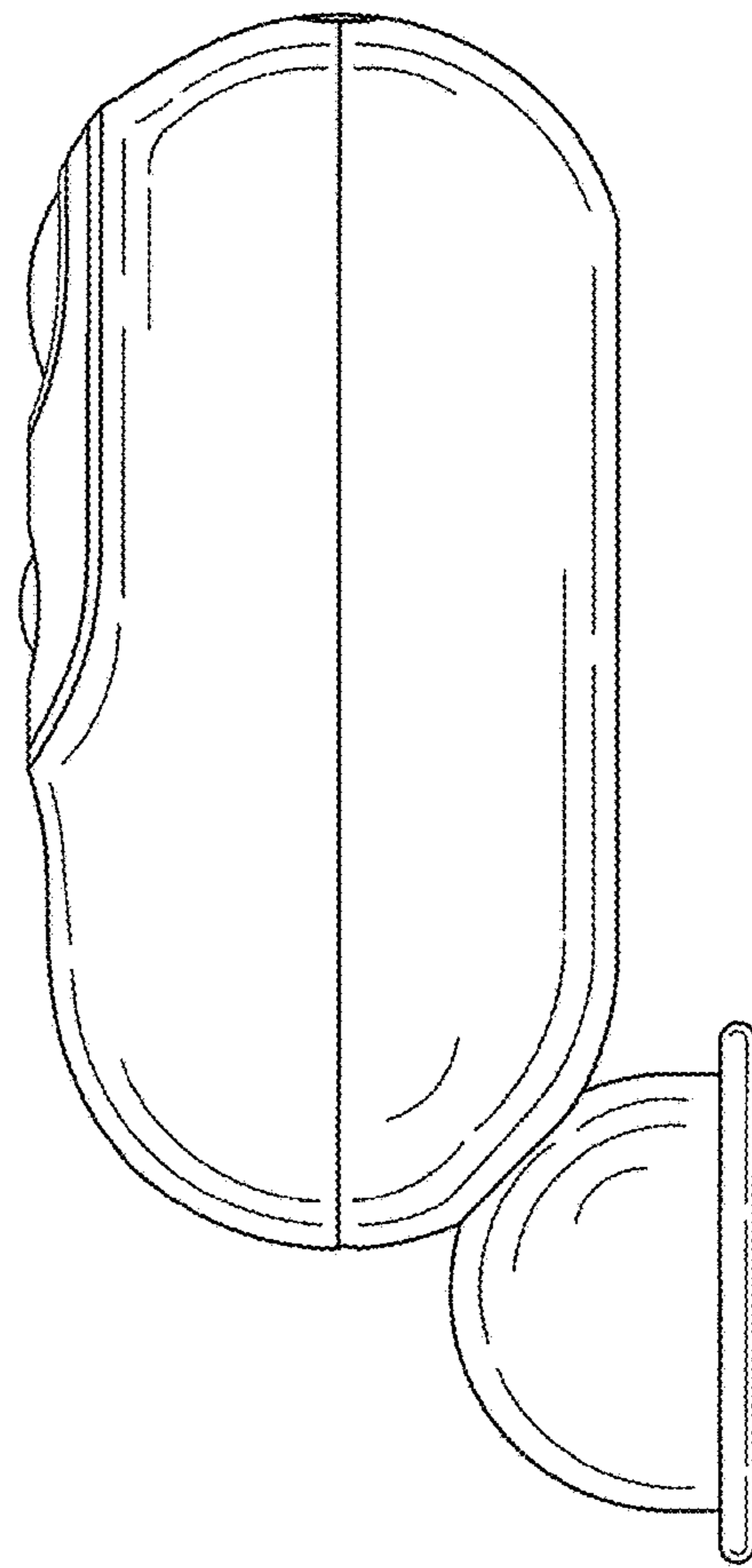


FIG. 6

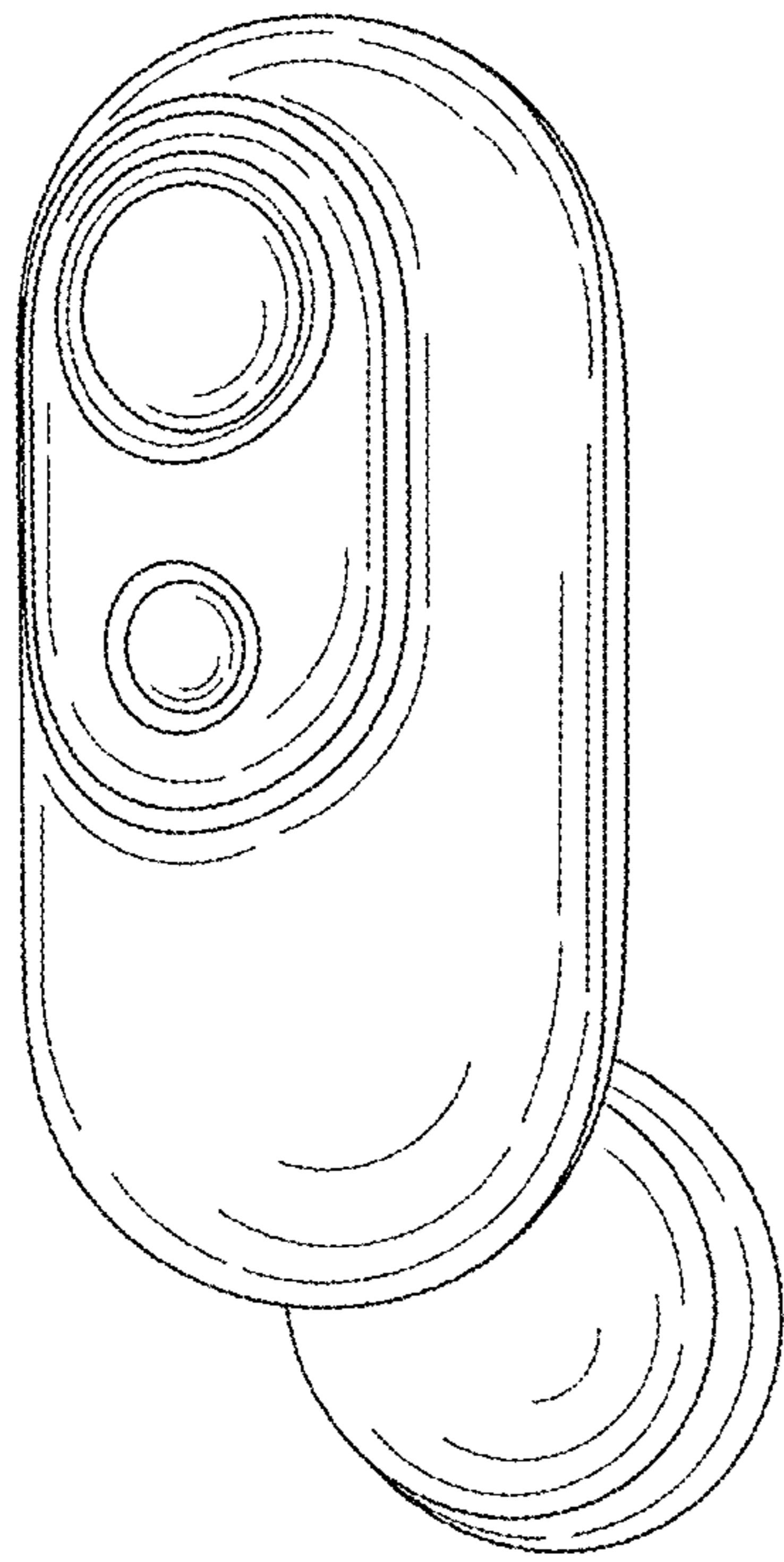


FIG. 7

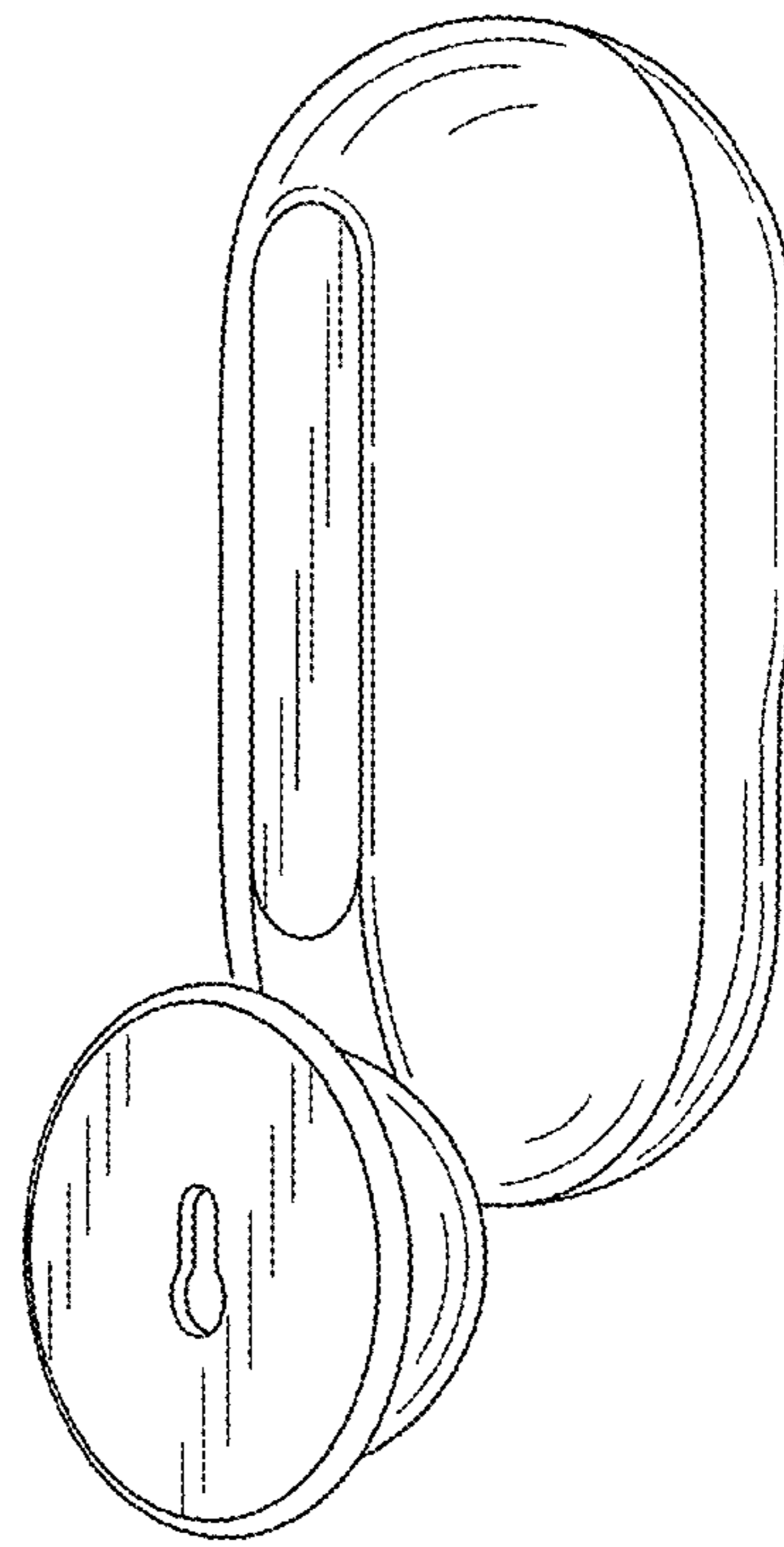


FIG. 8