



US00D806151S

(12) **United States Design Patent** (10) **Patent No.:** **US D806,151 S**
Landerholm et al. (45) **Date of Patent:** **** Dec. 26, 2017**

(54) **LINEAR ACTUATOR**
(71) Applicant: **LINAK A/S**, Nordborg (DK)
(72) Inventors: **John Landerholm**, Aarhus C (DK);
Peter Boldsen Lund, Aarhus C (DK)
(73) Assignee: **Linak A/S**, Nordborg (DK)
(**) Term: **15 Years**

D641,698 S * 7/2011 Christensen D13/112
D665,433 S * 8/2012 Beam D15/143
D695,798 S * 12/2013 Wu D15/143
D695,799 S * 12/2013 Landerholm D15/143
D696,704 S * 12/2013 Battistella D15/143
D765,748 S * 9/2016 Bogelund D15/143
D767,005 S * 9/2016 Wu D15/143
D776,728 S * 1/2017 Wu D15/143
D776,729 S * 1/2017 Wu D15/143
D778,968 S * 2/2017 Luck D15/143

(21) Appl. No.: **29/576,090**
(22) Filed: **Aug. 31, 2016**
(30) **Foreign Application Priority Data**

Mar. 7, 2016 (DK) 2016 00029

(51) **LOC (10) Cl.** **15-09**
(52) **U.S. Cl.**
USPC **D15/143**; D15/148
(58) **Field of Classification Search**
USPC D12/345; D13/107, 110, 118, 158, 162,
D13/184; D15/1-5, 7, 9, 143, 148, 149,
D15/199
CPC B66F 3/18; F16H 19/04; F16H 57/039;
H01F 7/066
See application file for complete search history.

(56) **References Cited**

U.S. PATENT DOCUMENTS

D522,028 S * 5/2006 Beadle D15/143
D522,547 S * 6/2006 Beadle D15/143
D523,880 S * 6/2006 Christensen D15/143
D577,753 S * 9/2008 Lund D15/143
D594,487 S * 6/2009 Lund D15/143
D596,652 S * 7/2009 Roither D15/143
D596,653 S * 7/2009 Fukano D15/143
D621,860 S * 8/2010 Fukano D13/107
D624,101 S * 9/2010 Tseng D15/143
D632,321 S * 2/2011 Wu D15/143
D635,600 S * 4/2011 Wu D15/143

OTHER PUBLICATIONS

Linak Electric Linear Actuators with Integrated Controller, posted on oemoffhighway.com, posted Dec. 2, 2015, no production date given, [online], [site visited May 20, 2017], Available from Internet, <URL: http://www.oemoffhighway.com/electronics/actuators/electrical-electronic-components/product/12145039/linak-us-inc-linak-electric-linear-actuat.*

(Continued)

Primary Examiner — Melanie H Tung
Assistant Examiner — Fritzgerald Butac
(74) *Attorney, Agent, or Firm* — Dykema Gossett PLLC

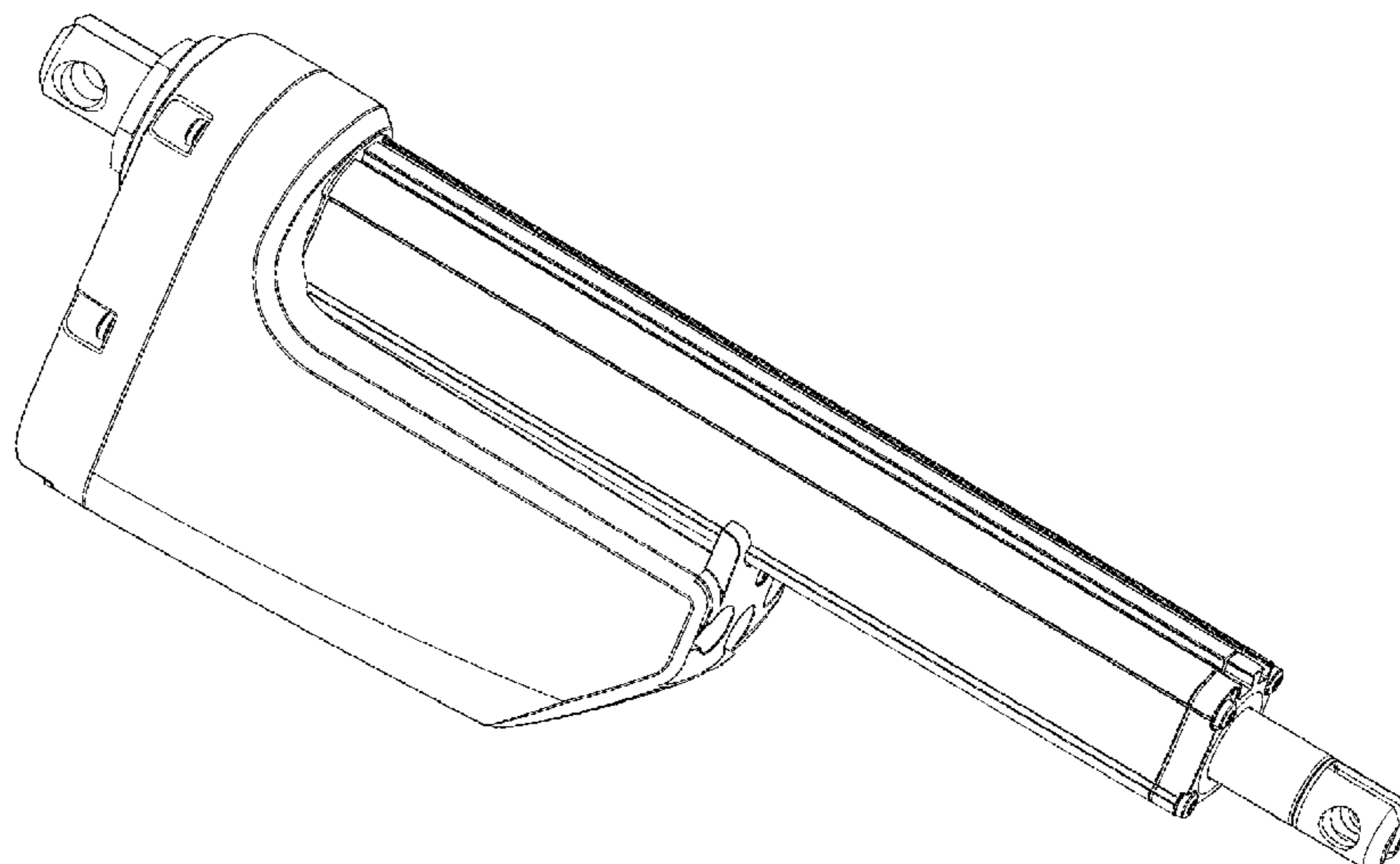
(57) **CLAIM**

The ornamental design for a linear actuator, as shown and described.

DESCRIPTION

FIG. 1 is a first perspective side view of a linear actuator showing our new and ornamental design, FIG. 2 is a second perspective side view thereof, FIG. 3 is a first elevational side view thereof, FIG. 4 is a second elevational side view thereof, FIG. 5 is a bottom plan view thereof, FIG. 6 is a top plan view thereof, FIG. 7 is a front elevational view thereof; and, FIG. 8 is a rear elevational view thereof.

1 Claim, 8 Drawing Sheets



(56)

References Cited

OTHER PUBLICATIONS

Linak Adds Additional Features to the LA23 Actuator, posted on prlog.org, posted Nov. 4, 2010, no production date given, [online], [site visited 05/20/2011], Available from Internet, <URL: <https://www.prlog.org/11047423-linak-adds-additional-features-to-the-la23-actuator.html>>.*

* cited by examiner

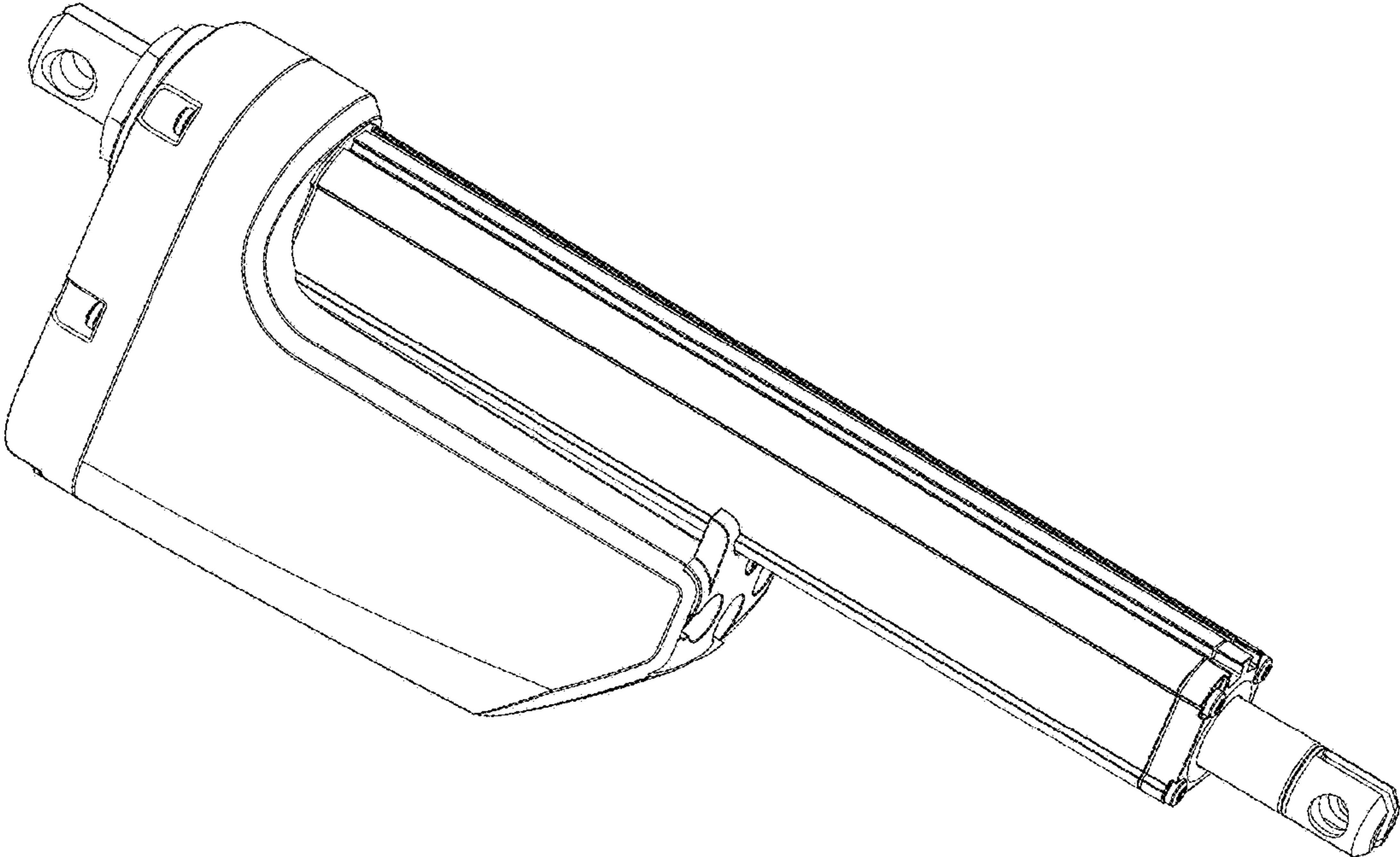


Fig. 1

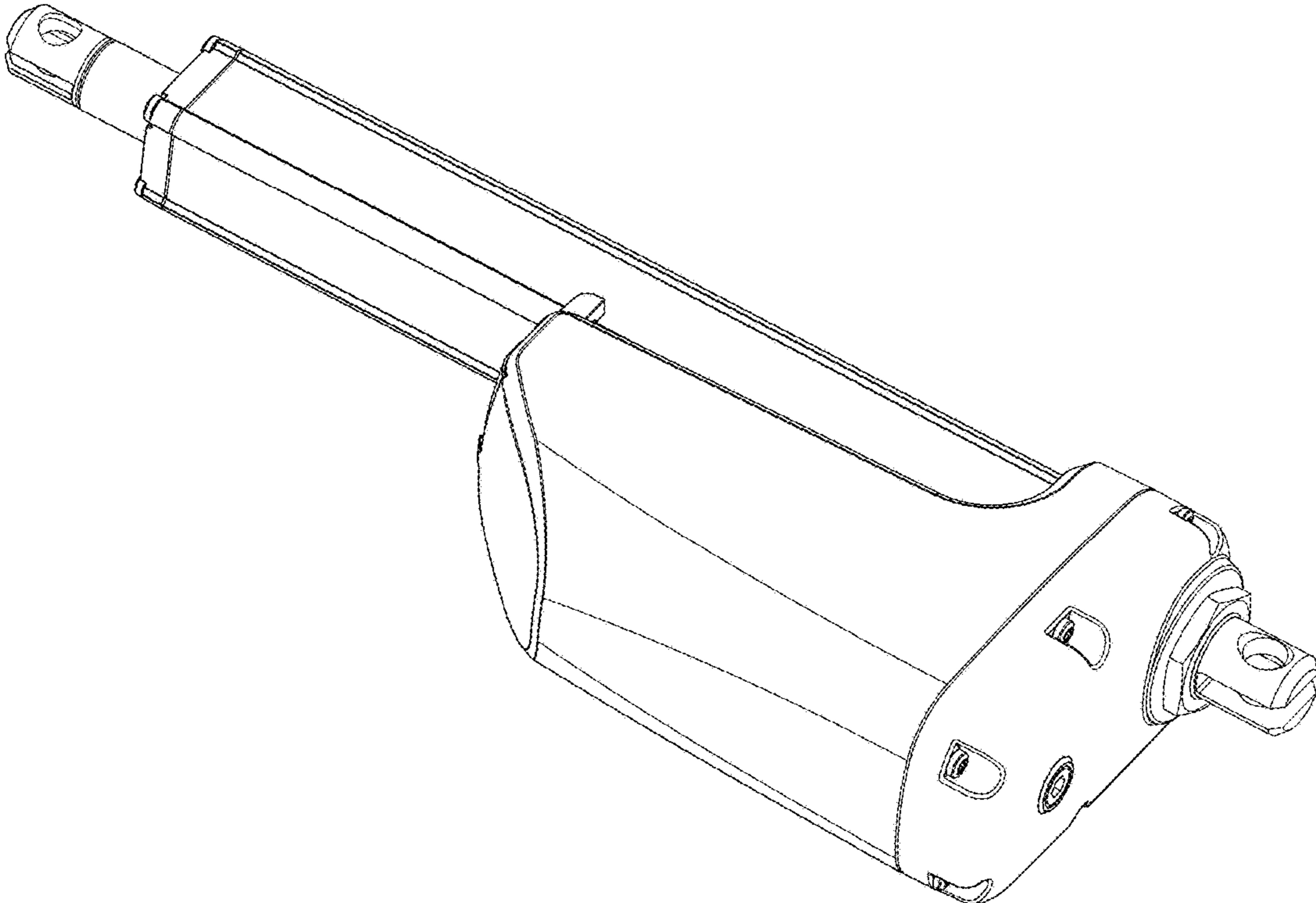


Fig. 2

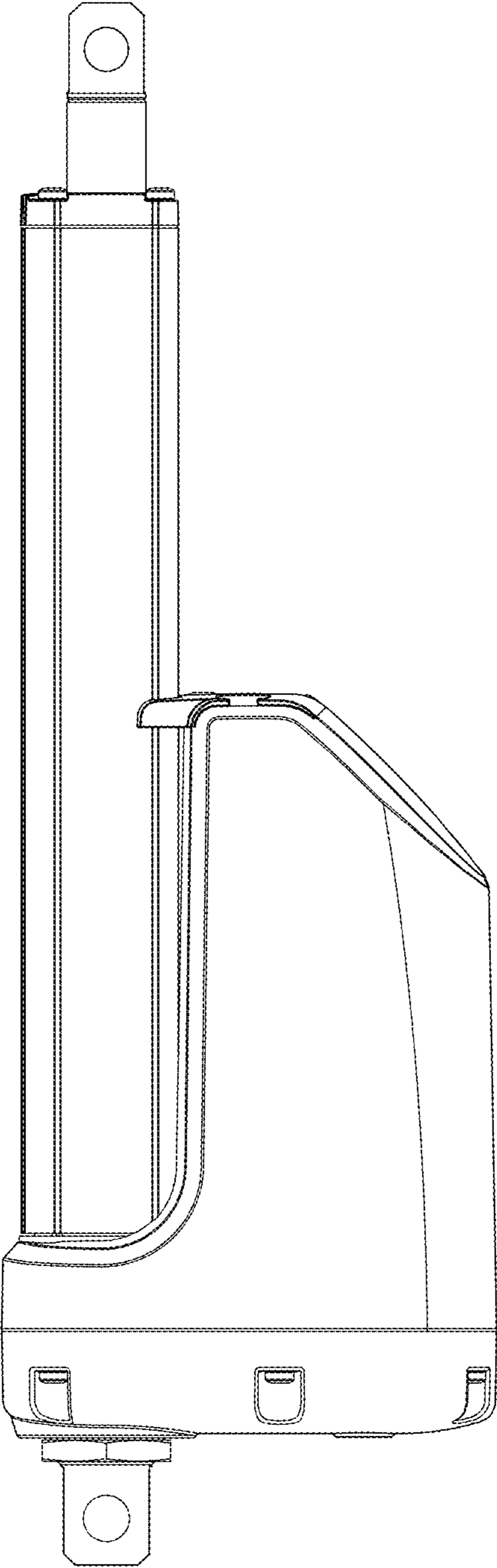


Fig. 3

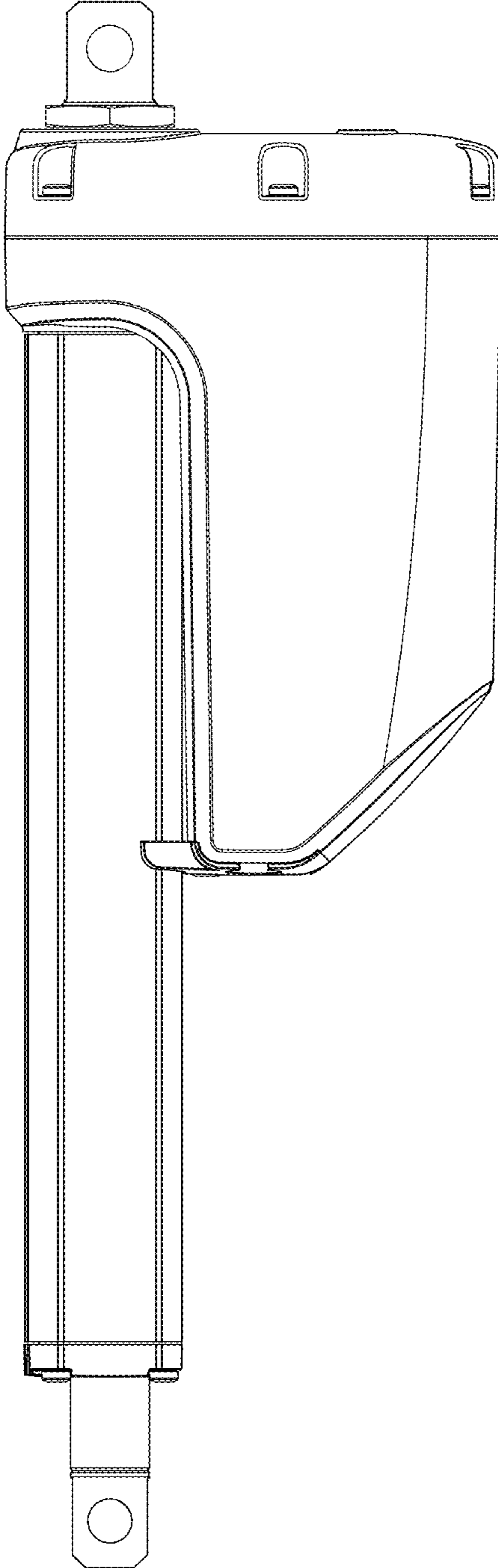


Fig. 4

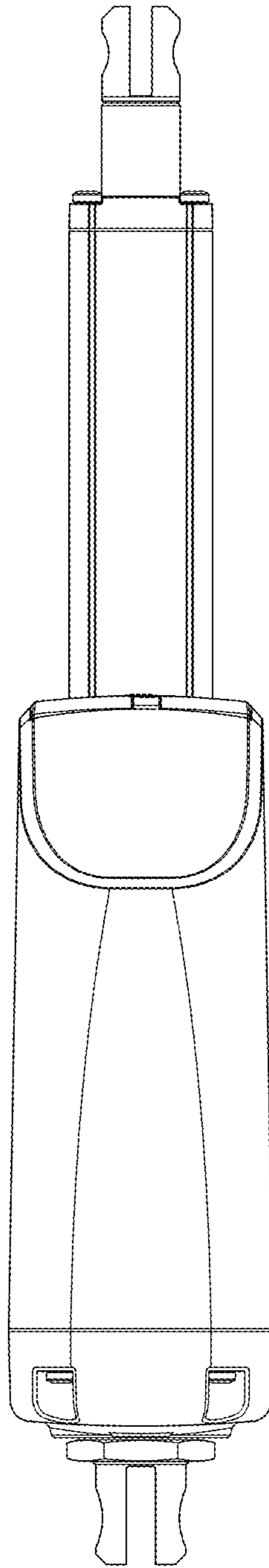


Fig. 5

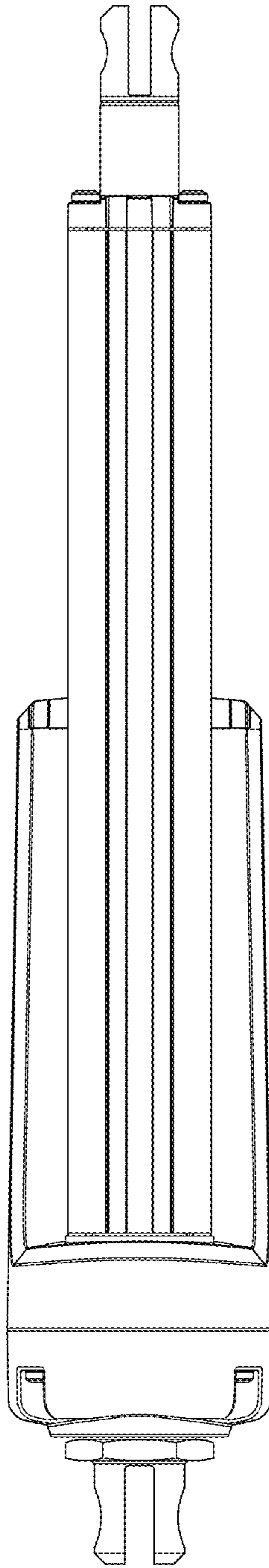


Fig. 6

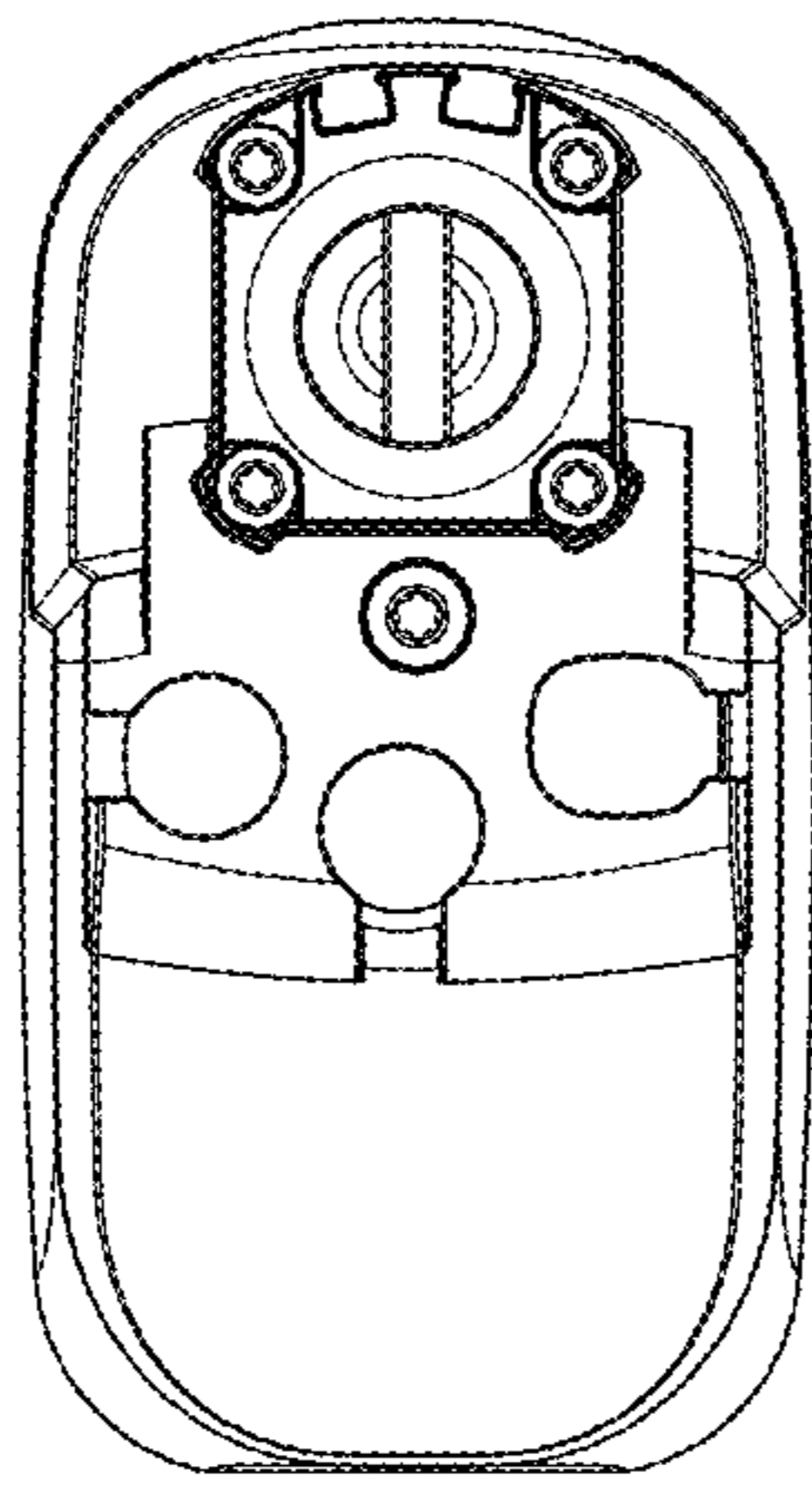


Fig. 7

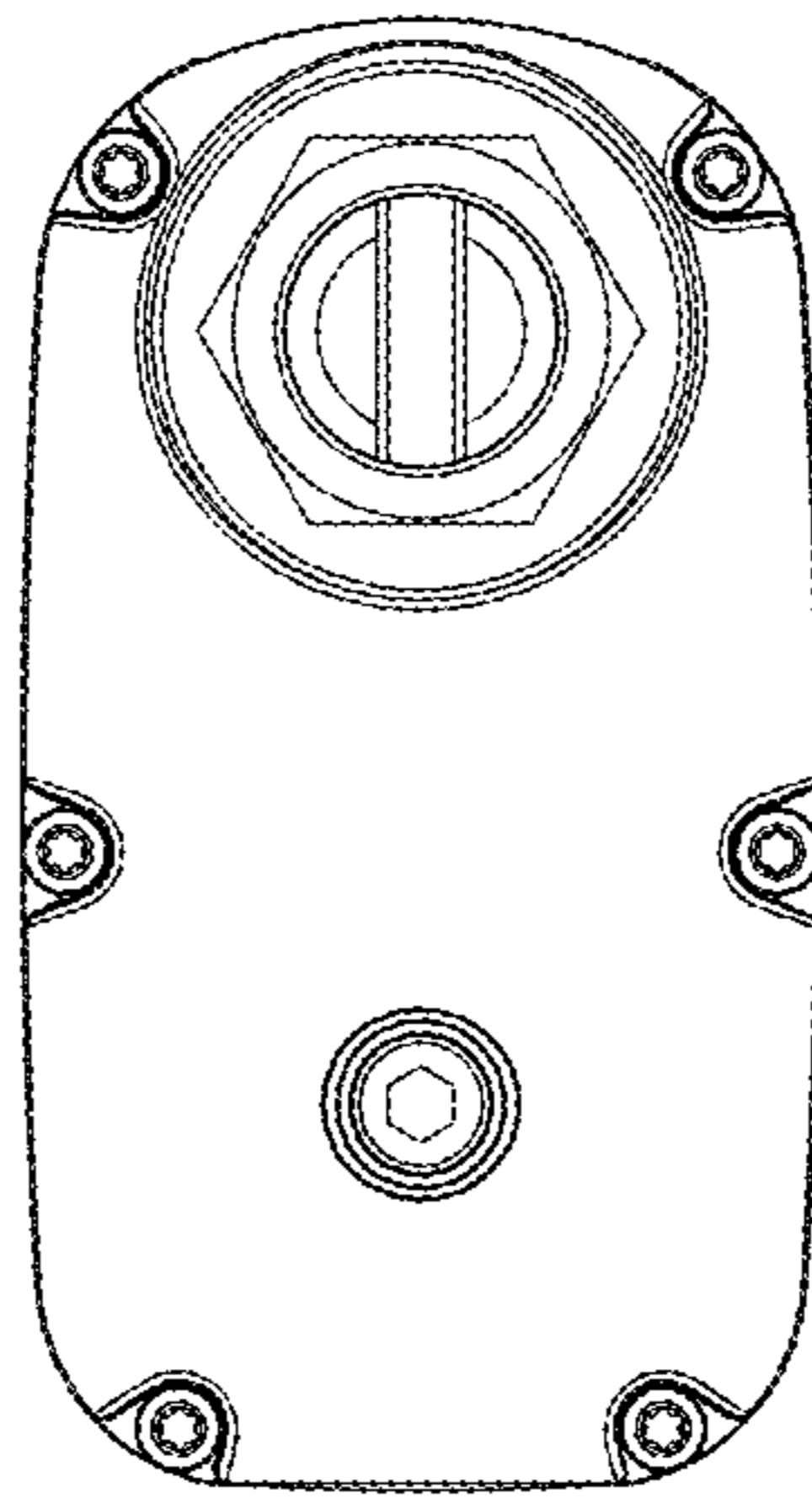


Fig. 8