



US00D806149S

(12) **United States Design Patent** (10) **Patent No.:** **US D806,149 S**
Williams et al. (45) **Date of Patent:** **** *Dec. 26, 2017**

(54) **FLUID APPLICATOR**

(71) Applicants: **Craig A. Williams**, Maumee, OH (US);
Charles J. Barnhart, Toledo, OH (US)

(72) Inventors: **Craig A. Williams**, Maumee, OH (US);
Charles J. Barnhart, Toledo, OH (US)

(73) Assignee: **DESIGNETICS**, Holland, OH (US)

(*) Notice: This patent is subject to a terminal disclaimer.

(**) Term: **15 Years**

(21) Appl. No.: **29/568,211**

(22) Filed: **Jun. 16, 2016**

(51) **LOC (10) Cl.** **15-09**

(52) **U.S. Cl.**
USPC **D15/138; D23/213**

(58) **Field of Classification Search**
USPC D15/138-143, 199; D23/213; D9/723,
D9/724, 725, 434, 435, 499
CPC B05C 1/00; B05C 1/06; B05C 5/0254; B05C
17/00; B05C 17/002; B05C 1/0808; B05C
11/02; B05C 11/023; B05C 11/1002;
B05C 11/1034; B05C 13/00; B05C 13/02;
B05C 17/00553; B05C 17/00566; B05C
17/00576; B05C 17/00583; B05C
17/00596; B05C 17/01; B05C 17/0116;
B05C 17/0308; B05C 17/0341; B05C
17/0357; B05C 17/12; B05C 1/02; B05C
1/027; B05C 1/04; B05C 3/00; B05C
5/0212; B05C 5/025; B05C 9/08

See application file for complete search history.

(56) **References Cited**

U.S. PATENT DOCUMENTS

| | | | | | |
|-----------|-----|---------|----------|-------|-------------|
| 4,030,341 | A * | 6/1977 | Sullivan | | G01N 1/2813 |
| | | | | | 73/61.54 |
| 5,193,928 | A * | 3/1993 | Balzer | | B05C 17/002 |
| | | | | | 222/83 |
| D688,953 | S * | 9/2013 | Korper | | D28/7 |
| D745,583 | S * | 12/2015 | Arikan | | D15/138 |
| D748,223 | S * | 1/2016 | Williams | | D23/213 |
| D755,866 | S * | 5/2016 | Spraw | | D15/138 |
| D758,531 | S * | 6/2016 | Williams | | D23/213 |
| D762,752 | S * | 8/2016 | Mortimer | | D15/138 |
| D772,314 | S * | 11/2016 | Williams | | D15/138 |
| D781,940 | S * | 3/2017 | Ooba | | D15/138 |

* cited by examiner

Primary Examiner — Patricia Palasik

(74) *Attorney, Agent, or Firm* — Donald K. Wedding

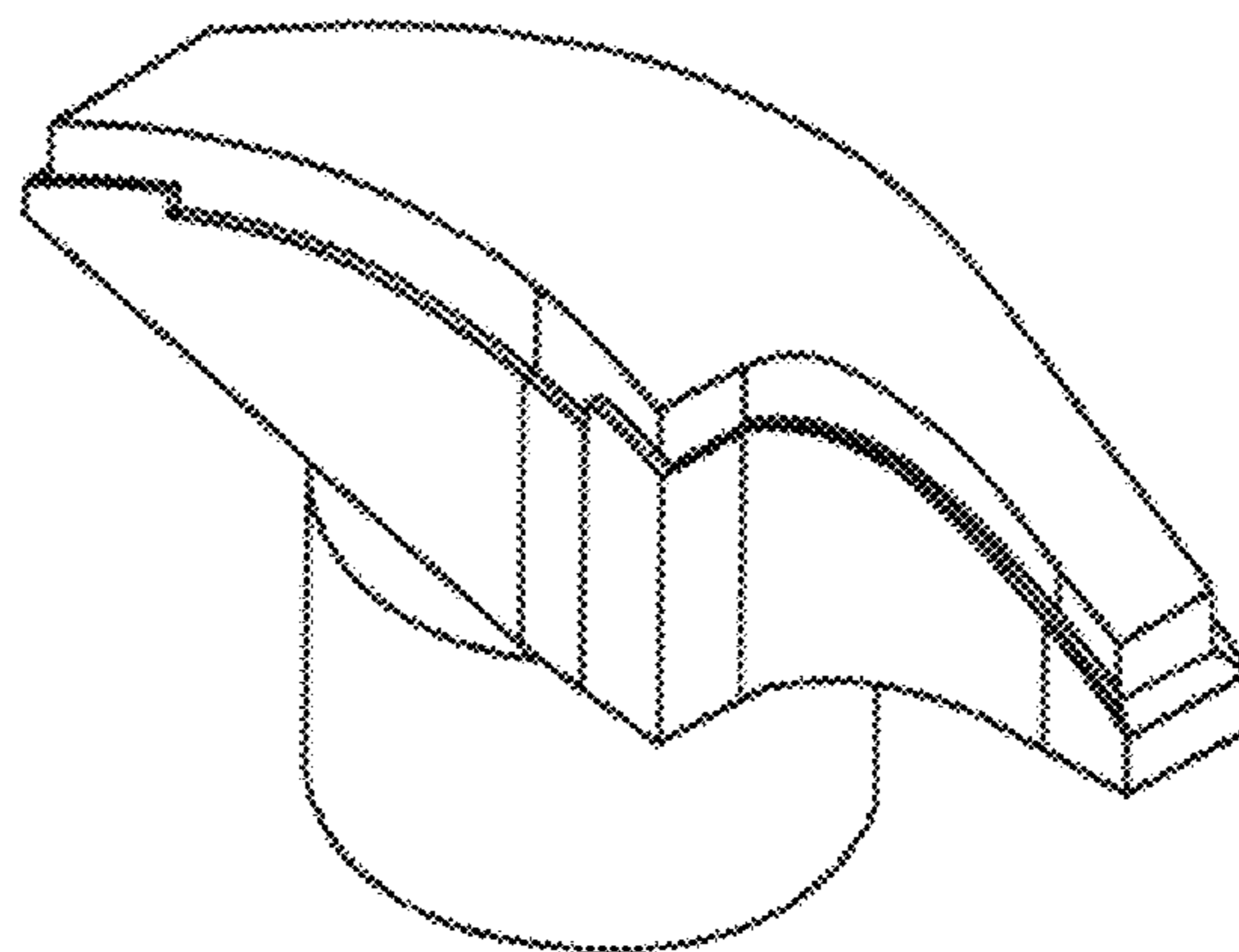
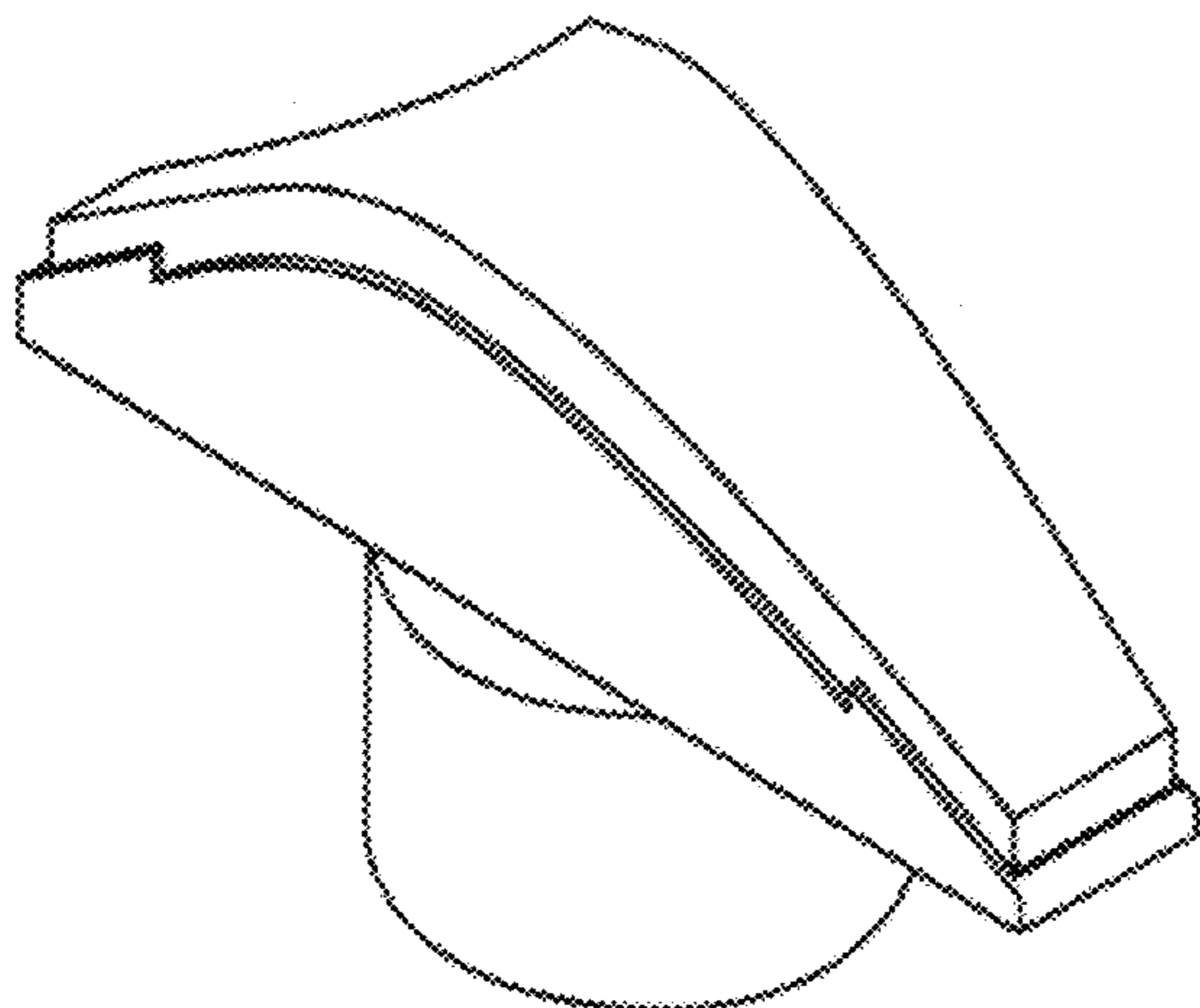
(57) **CLAIM**

The ornamental design for a fluid applicator, as shown and described.

DESCRIPTION

FIG. 1 is a perspective view of a fluid applicator.
FIG. 2 is another perspective view thereof;
FIG. 3 is a top view thereof;
FIG. 4 is a right side elevation view thereof;
FIG. 5 is a left side elevation view thereof;
FIG. 6 is an end view thereof; and,
FIG. 7 is another end view thereof.

1 Claim, 2 Drawing Sheets



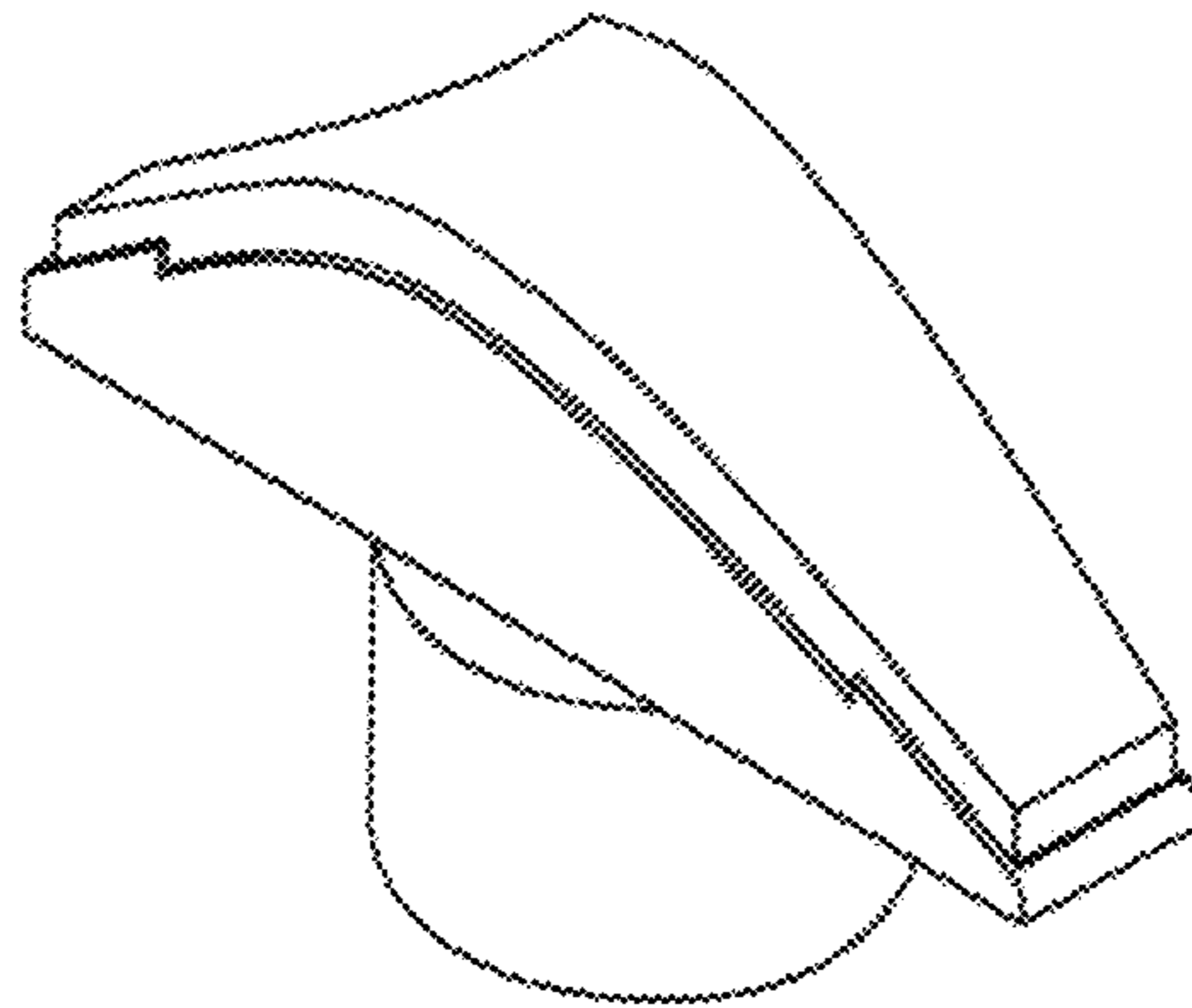


FIG. 1

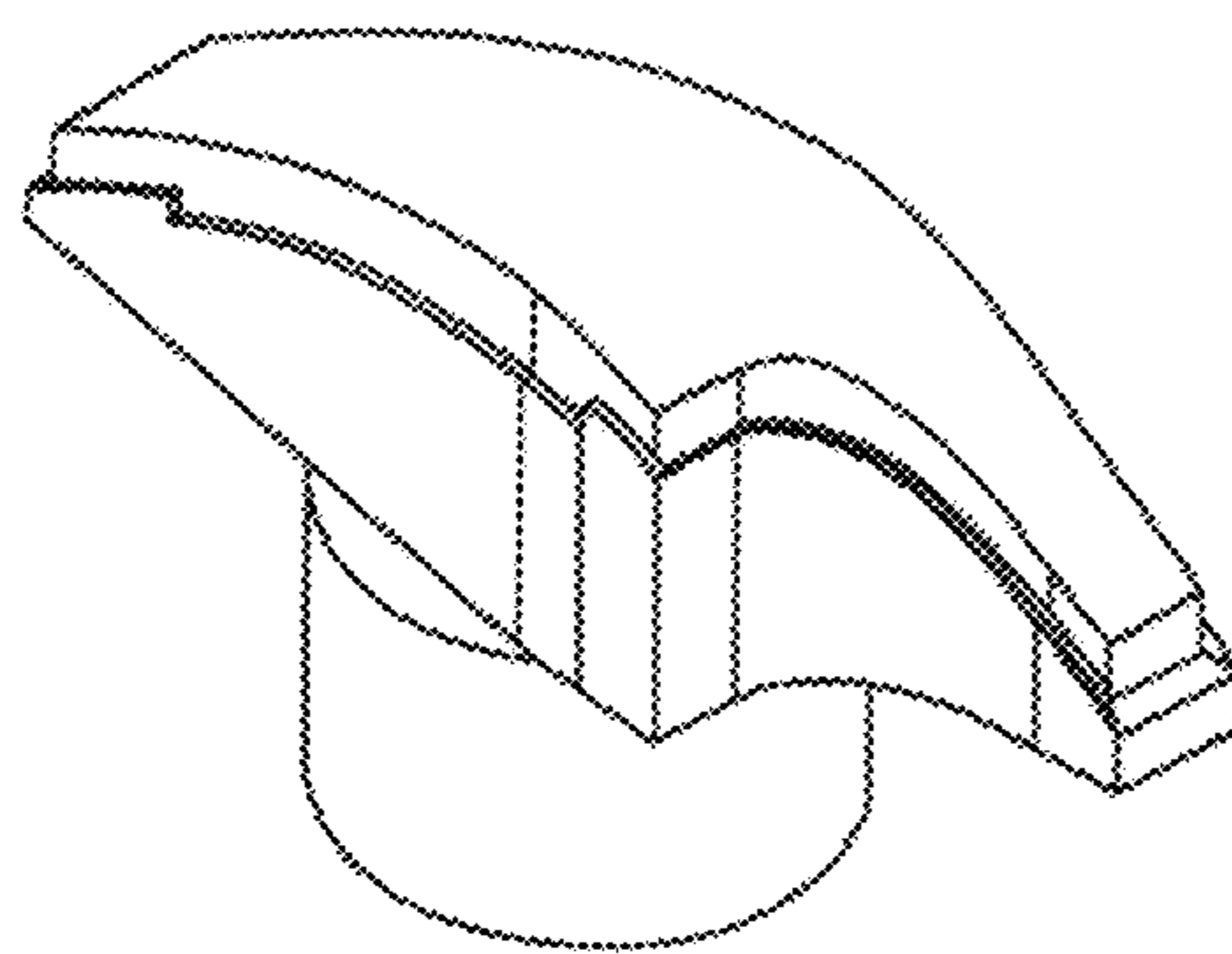


FIG. 2

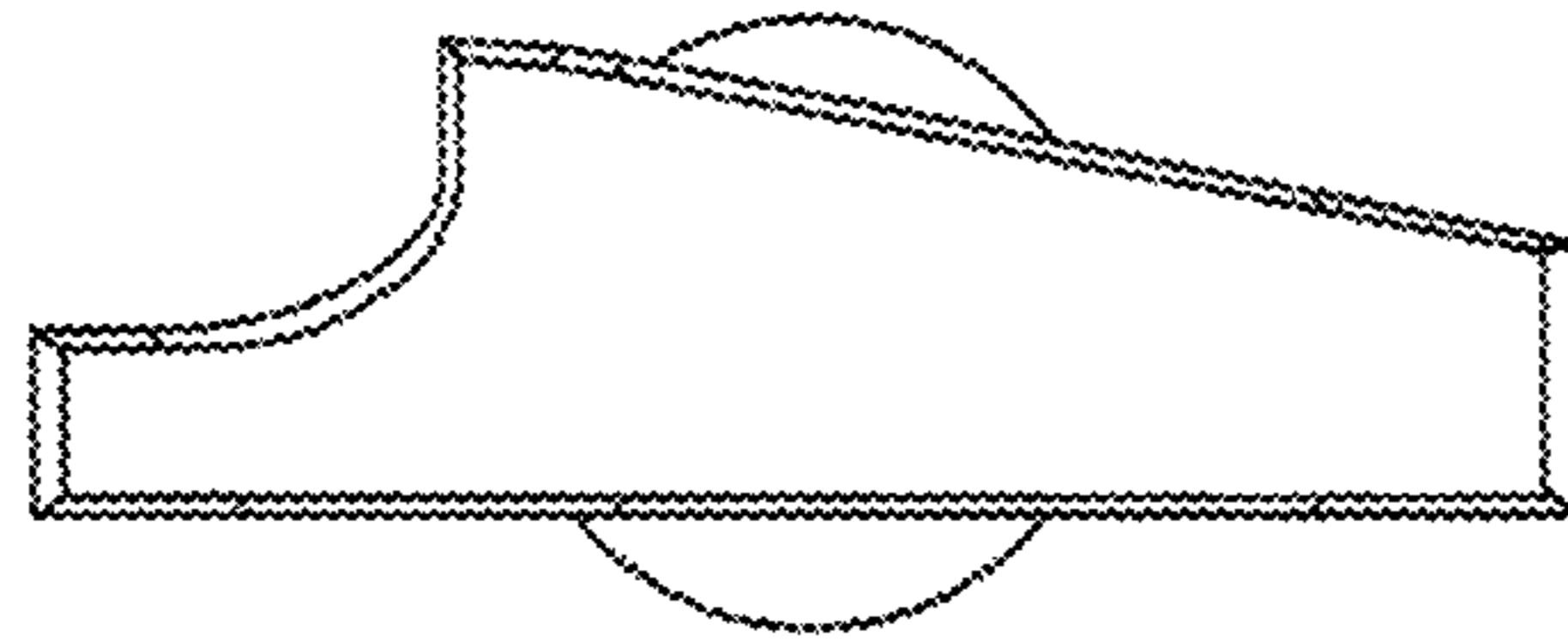


FIG. 3

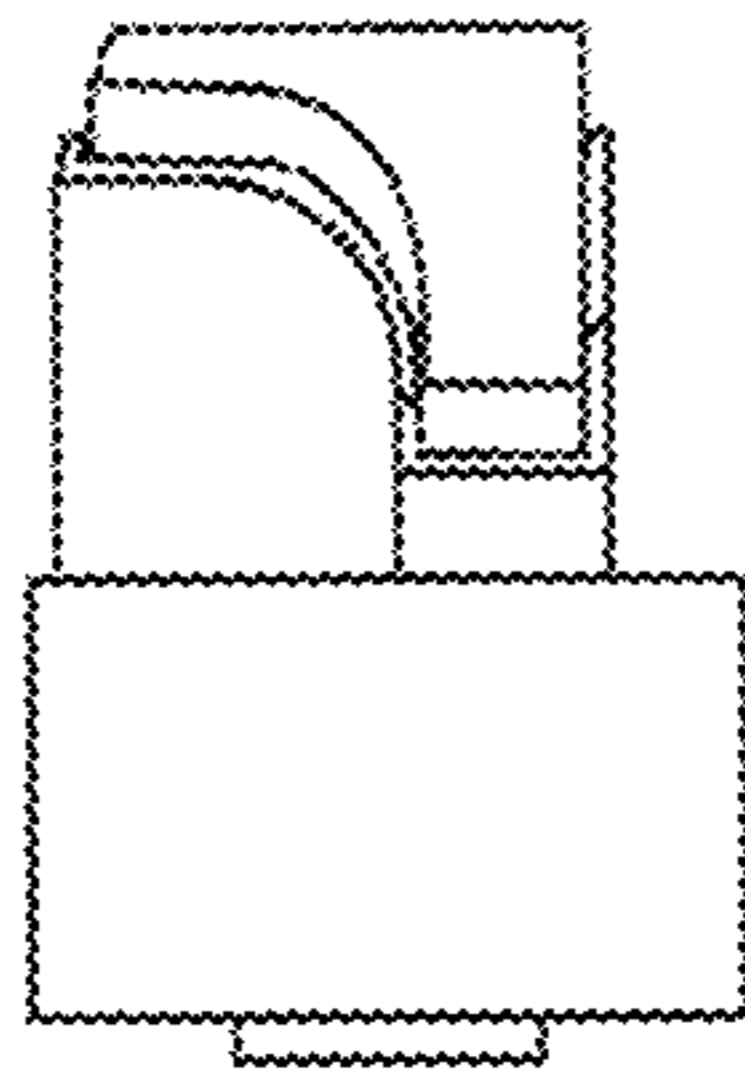


FIG. 6

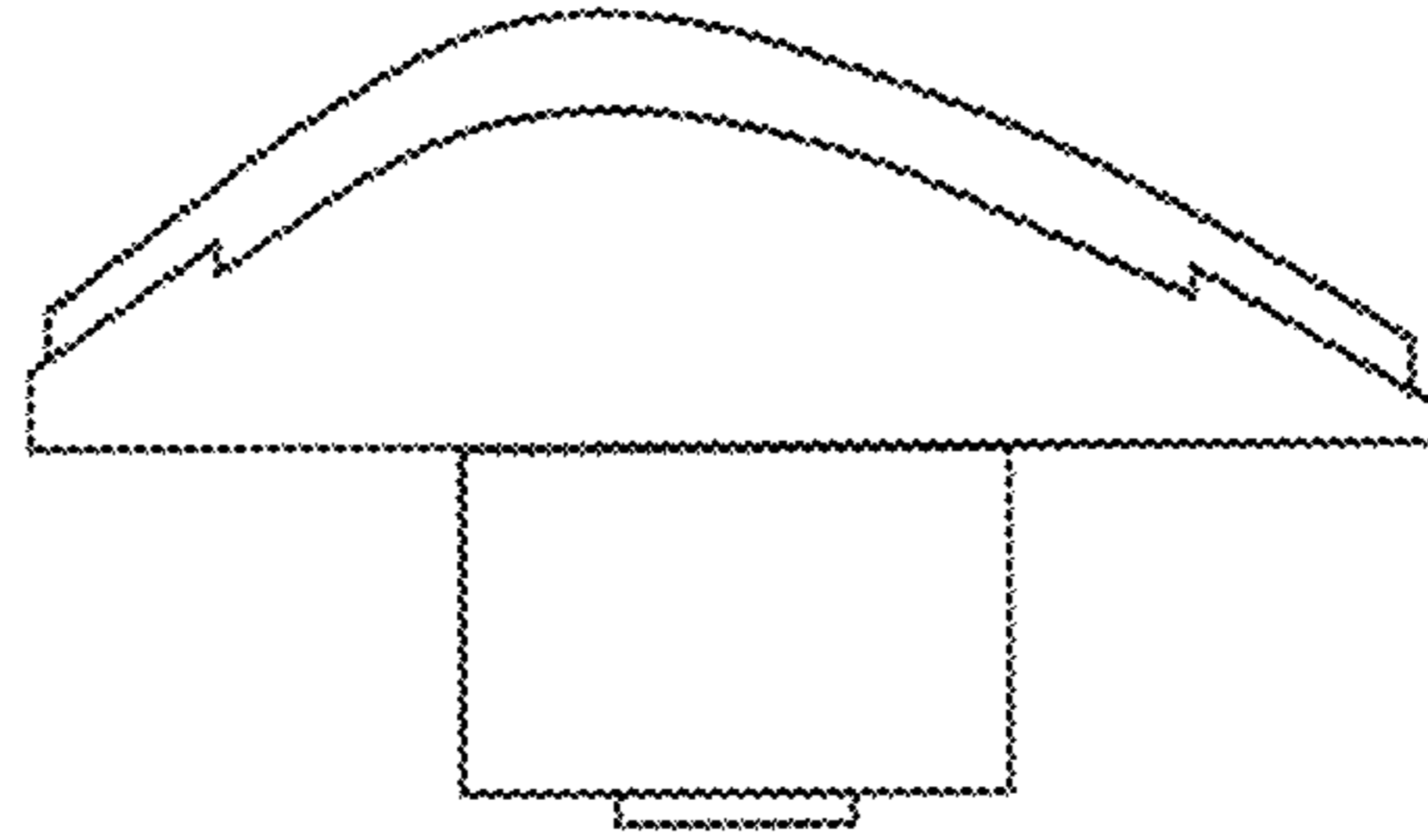


FIG. 4

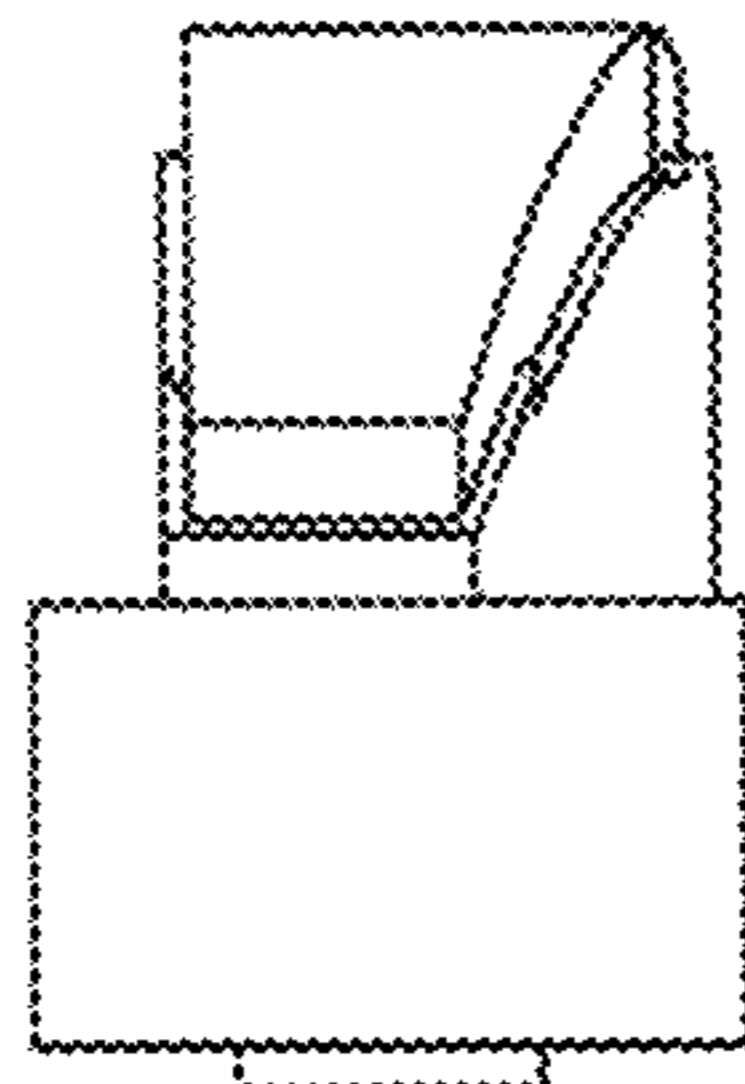


FIG. 7

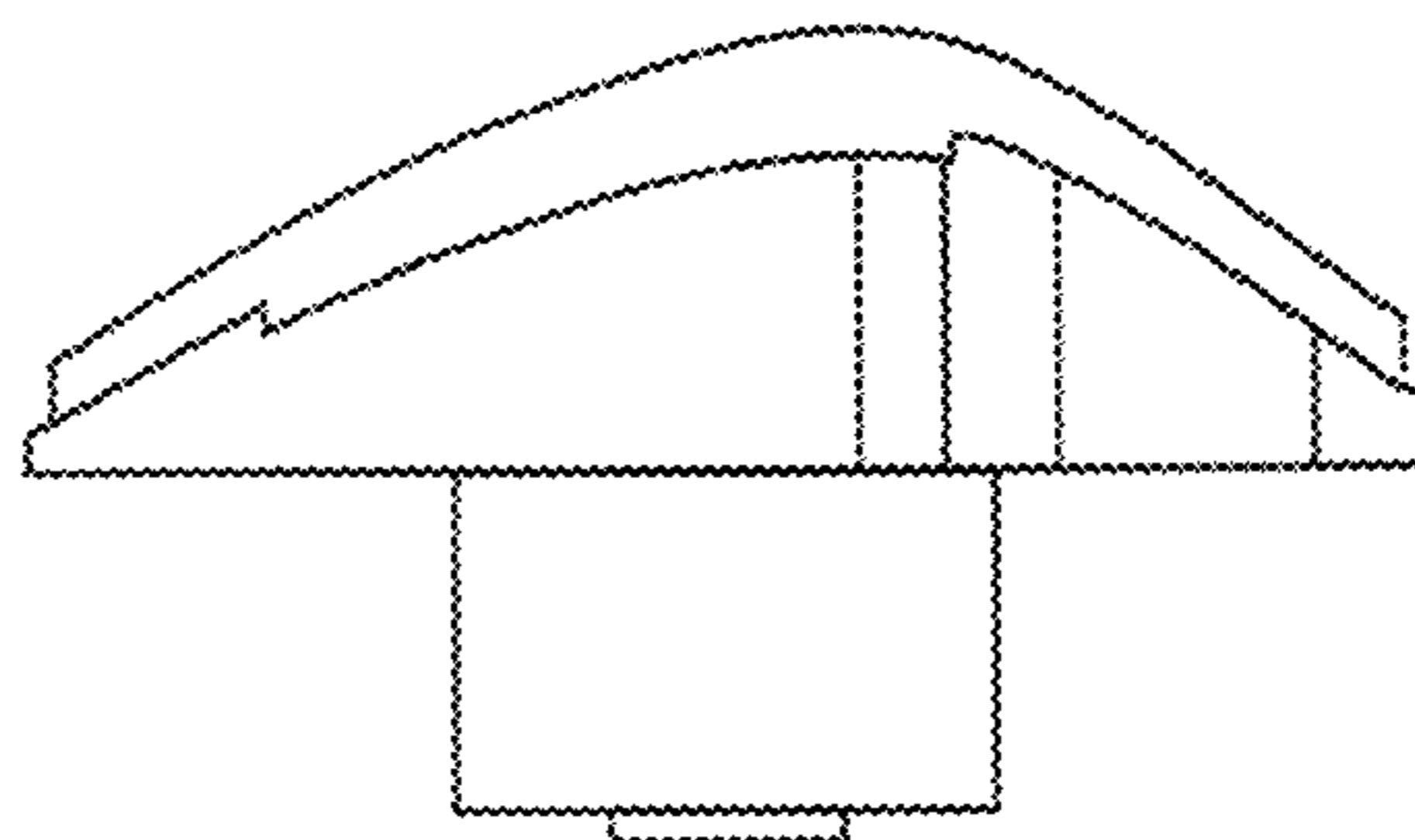


FIG. 5