

US00D806148S

(12) **United States Design Patent**  
**Wittig et al.**

(10) **Patent No.:** **US D806,148 S**  
(45) **Date of Patent:** **\*\* Dec. 26, 2017**

- (54) **COUNTER HOLDER FOR A PRECISION PRESS MACHINE**
- (71) Applicant: **WEBO Werkzeugbau Oberschwaben GmbH, Amtzell (DE)**
- (72) Inventors: **Axel Norbert Wittig, Wangen (DE); Norbert Ziesel, Amtzell (DE)**
- (73) Assignee: **WEBO WERKZEUGBAU OBERSCHWABEN GMBH, Amtzell (DE)**

D756,503 S *	5/2016	Wang	.....	D23/411
D768,518 S *	10/2016	Shamir	.....	D10/75
D779,701 S *	2/2017	Lazalier	.....	D26/74
D780,238 S *	2/2017	Kato	.....	D15/138
D780,667 S *	3/2017	Kim	.....	D12/415
D780,826 S *	3/2017	Yan	.....	D16/242
D781,950 S *	3/2017	Weisz	.....	D16/235
2001/0032551 A1 *	10/2001	Horie	.....	B30B 1/263 100/102
2002/0170445 A1 *	11/2002	Shiga	.....	B30B 1/265 100/271
2005/0185398 A1 *	8/2005	Scannell	.....	A01G 9/02 362/227
2010/0212664 A1 *	8/2010	Bishop	.....	A61M 15/0065 128/200.23
2012/0090607 A1 *	4/2012	Le Jeune	.....	G06M 1/04 128/203.15

(\*\*) Term: **15 Years**

(21) Appl. No.: **29/538,937**

(22) Filed: **Sep. 9, 2015**

(30) **Foreign Application Priority Data**

Mar. 9, 2015 (EM) ..... 002648584

(51) **LOC (10) Cl.** ..... **15-09**

(52) **U.S. Cl.**  
USPC ..... **D15/138**

(58) **Field of Classification Search**  
USPC .... D8/70, 71; D15/122, 123, 124, 125, 126,  
D15/128, 138, 141  
CPC ..... B30B 1/261; B30B 1/266; B30B 15/28;  
B30B 15/287; B30B 15/0064; Y10T  
74/18296; Y10T 74/20636; Y10T 83/8843  
See application file for complete search history.

(56) **References Cited**

**U.S. PATENT DOCUMENTS**

D288,819 S *	3/1987	Droste	.....	D15/125
D289,299 S *	4/1987	Wang	.....	D15/131
5,760,574 A *	6/1998	Take	.....	G01P 3/481 324/156

(Continued)

*Primary Examiner* — Patricia Palasik

(74) *Attorney, Agent, or Firm* — Browdy and Neimark, PLLC

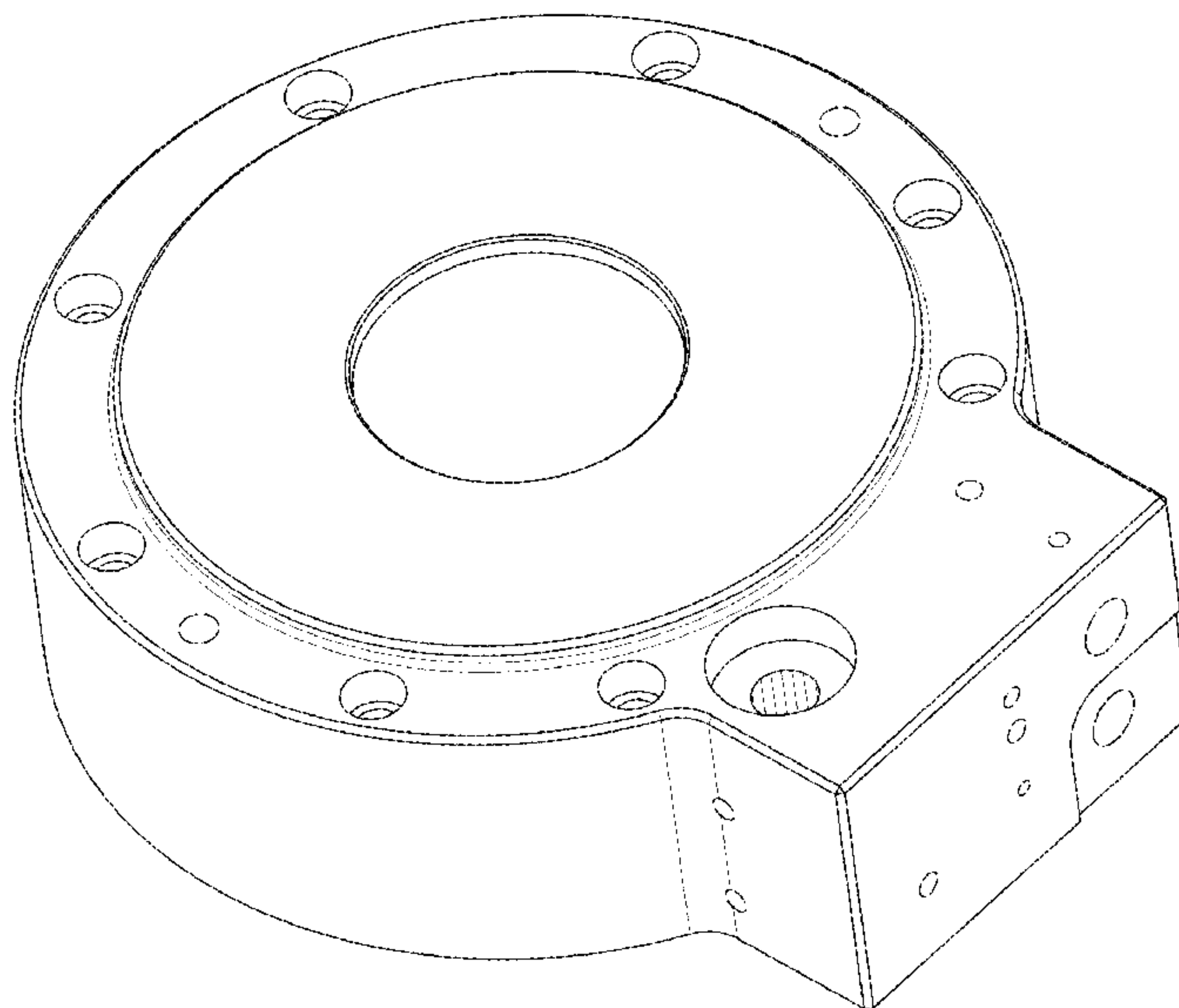
(57) **CLAIM**

The ornamental design for a counter holder for a precision press machine, as shown and described.

**DESCRIPTION**

FIG. 1 is a left top perspective view of a counter holder for a precision press machine according to the present design; FIG. 2 is a top view thereof; FIG. 3 is a bottom view thereof; FIG. 4 is a left side view thereof; FIG. 5 is a right side view thereof; FIG. 6 is a rear view thereof; FIG. 7 is a front view thereof; FIG. 8 is a right top perspective view thereof; and, FIG. 9 is a bottom perspective view thereof. The broken lines in the drawings depict unclaimed environmental subject matter.

**1 Claim, 9 Drawing Sheets**



(56)

**References Cited**

U.S. PATENT DOCUMENTS

2013/0252517 A1\* 9/2013 DeCore ..... B24B 23/026  
451/344  
2014/0263892 A1\* 9/2014 Metcalfe ..... F16M 13/02  
248/205.3  
2014/0299008 A1\* 10/2014 Douba ..... B30B 1/26  
100/99  
2015/0336347 A1\* 11/2015 Kitaura ..... B30B 15/28  
74/527  
2016/0325336 A1\* 11/2016 Anderzack ..... B21D 37/14

\* cited by examiner

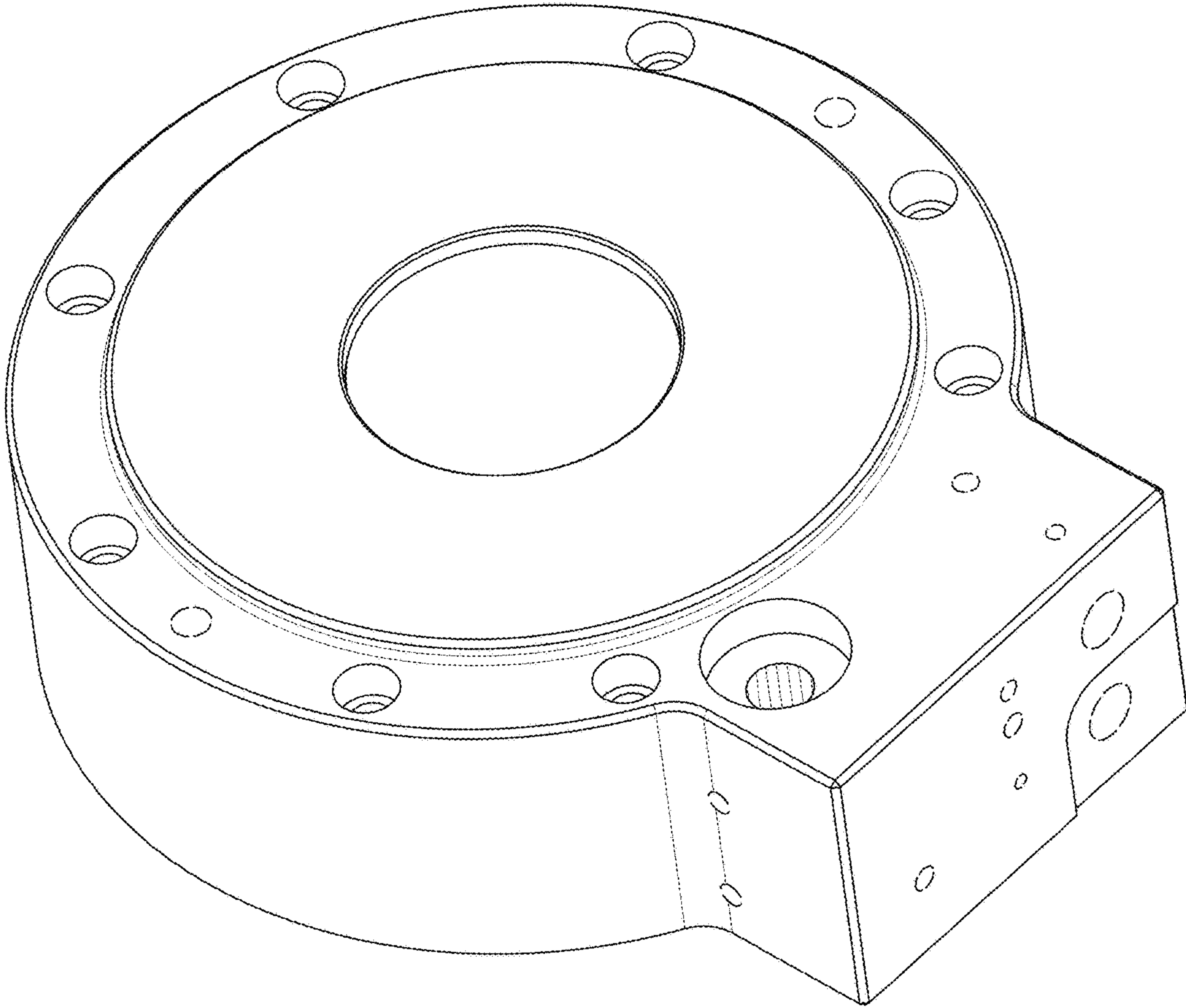


FIG. 1

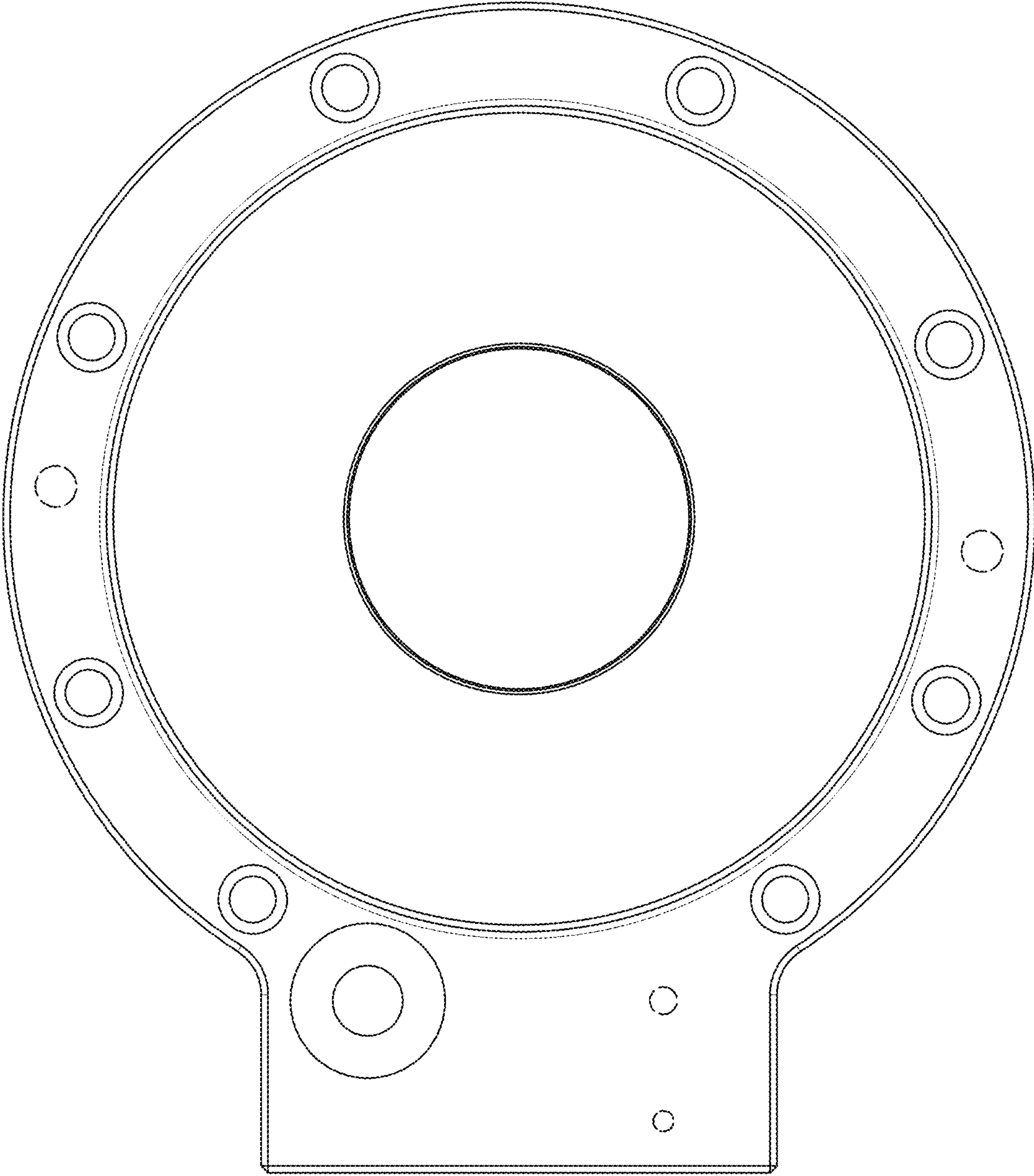


FIG. 2



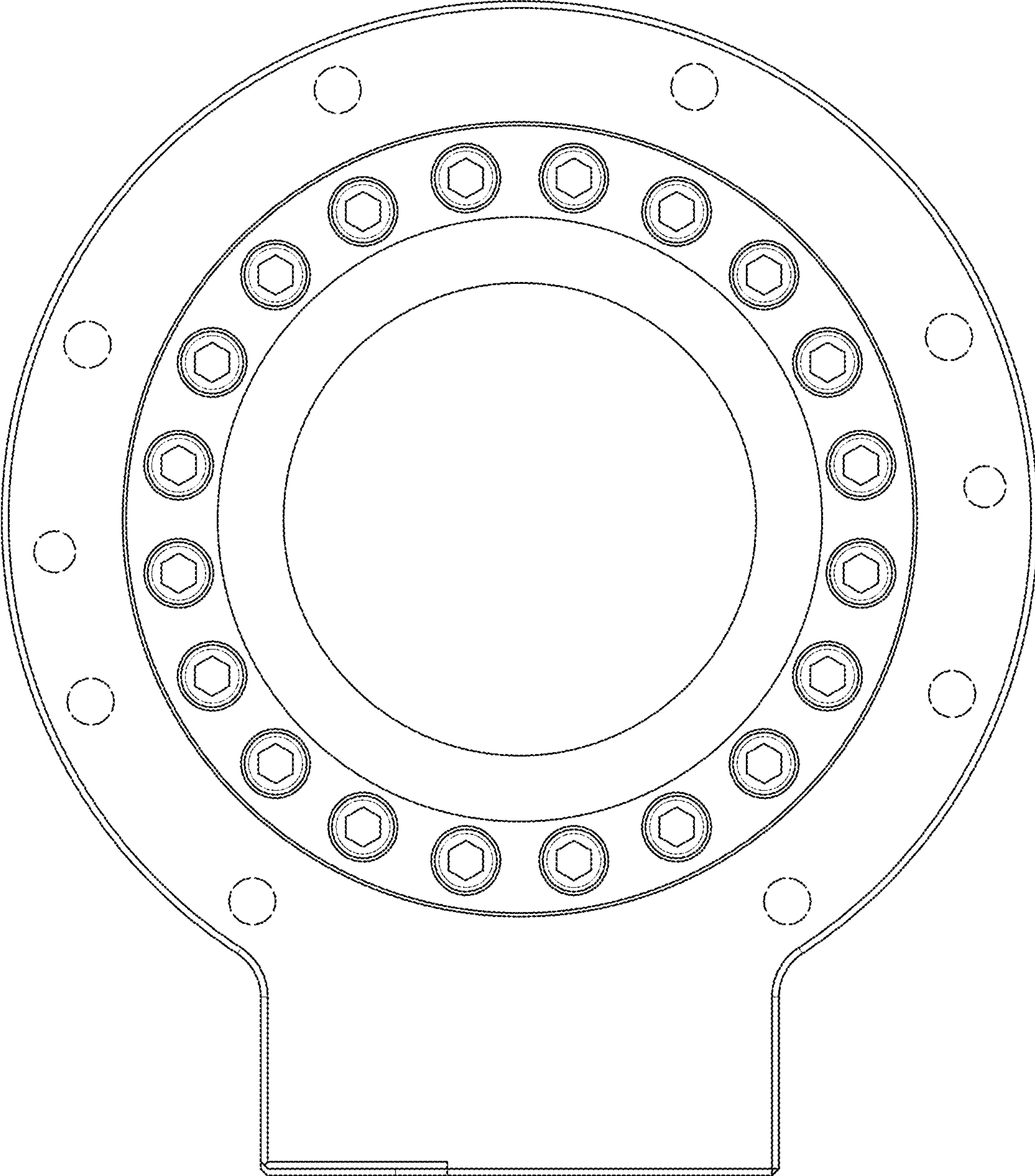


FIG. 3

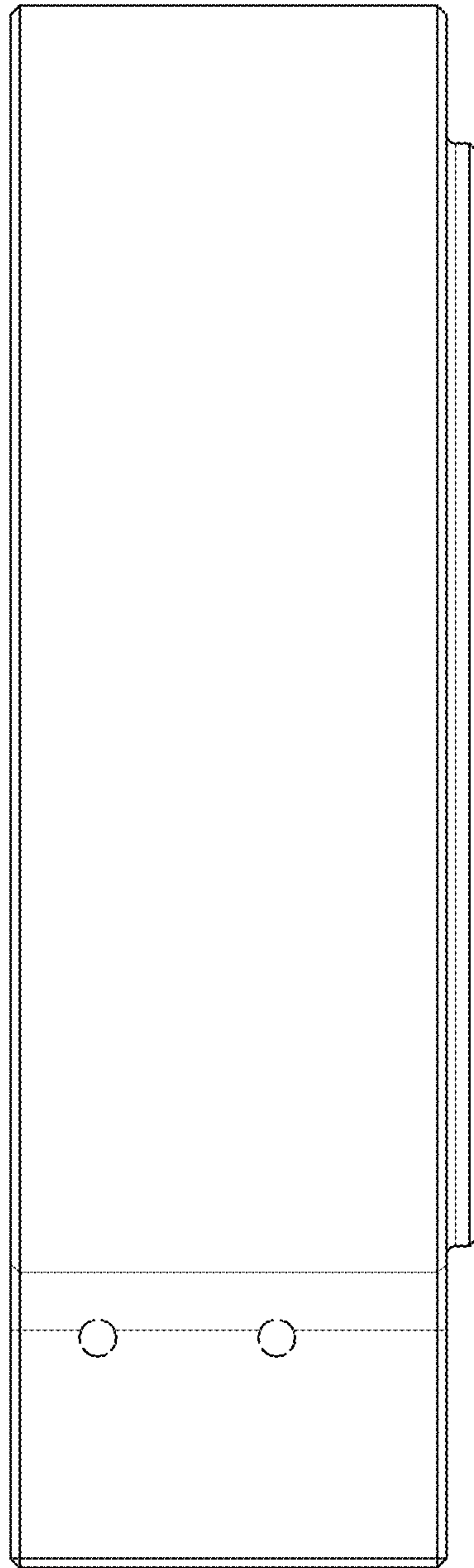


FIG. 4

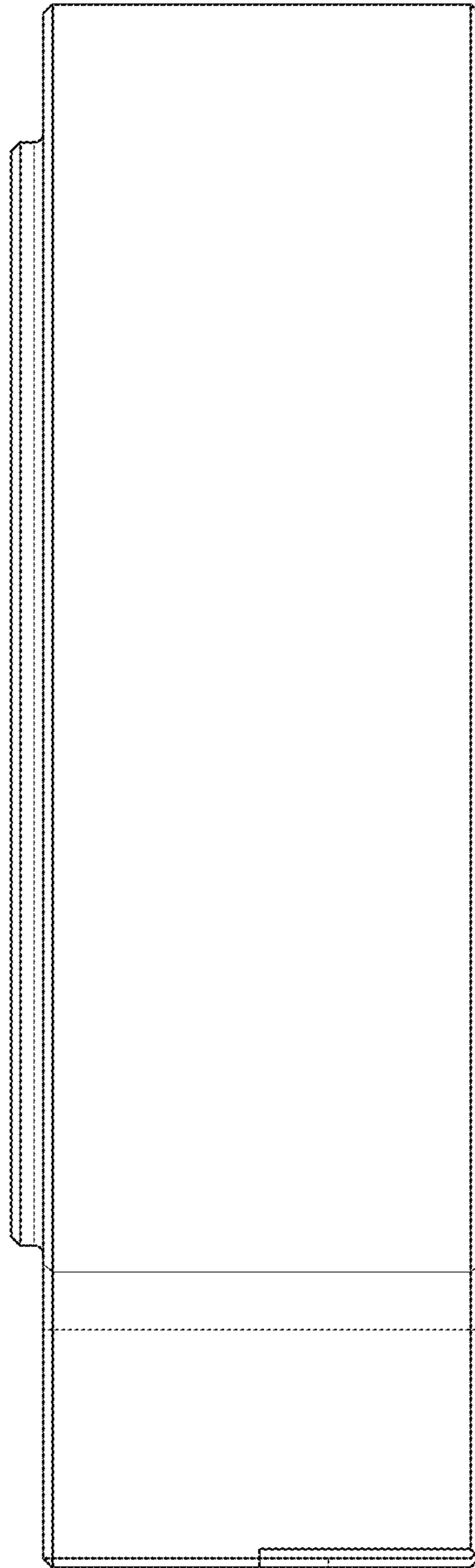


FIG. 5

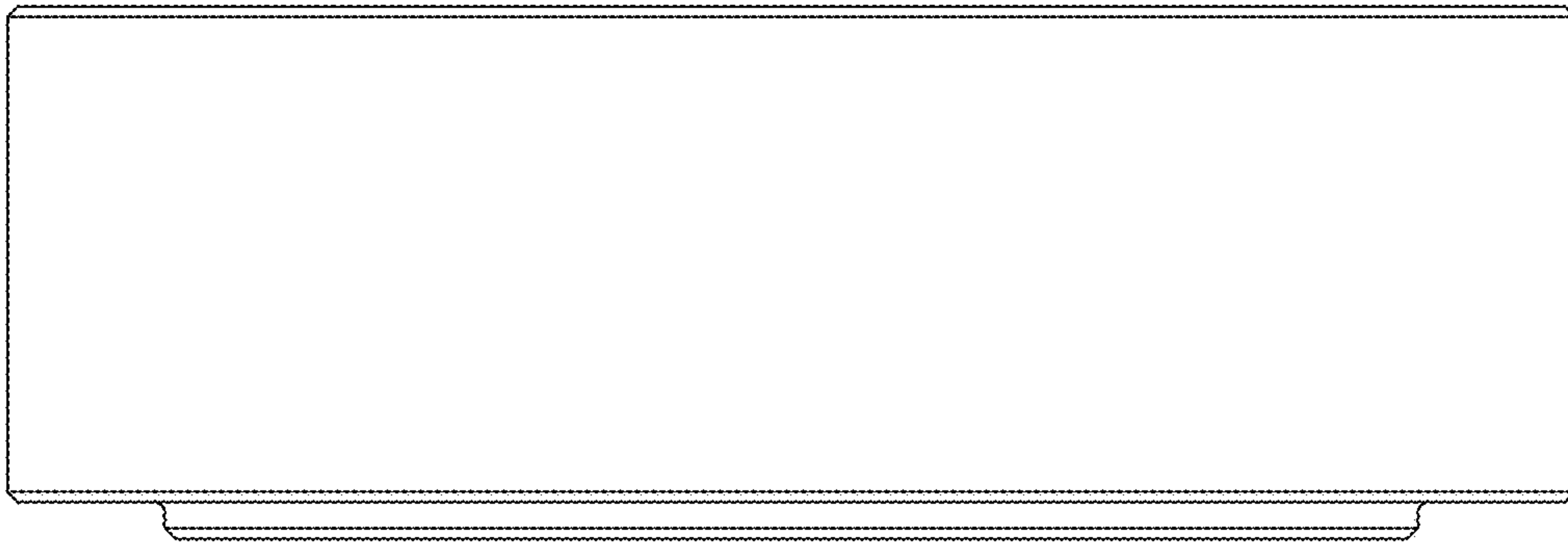


FIG. 6



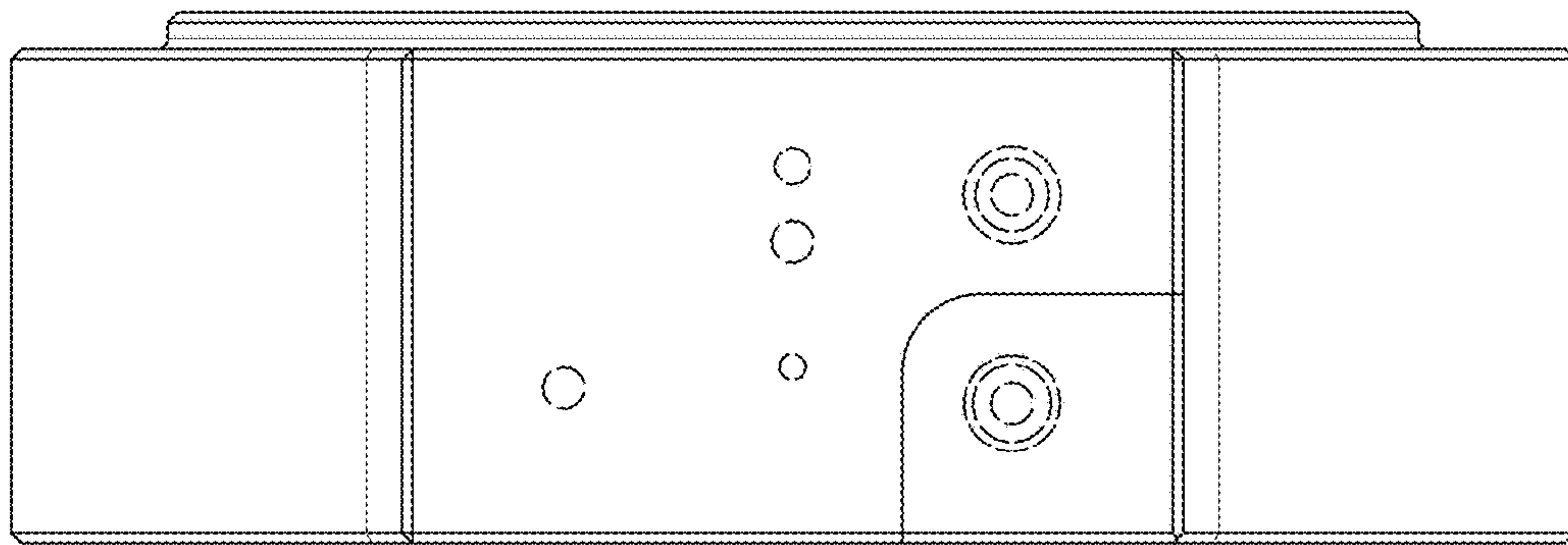


FIG. 7

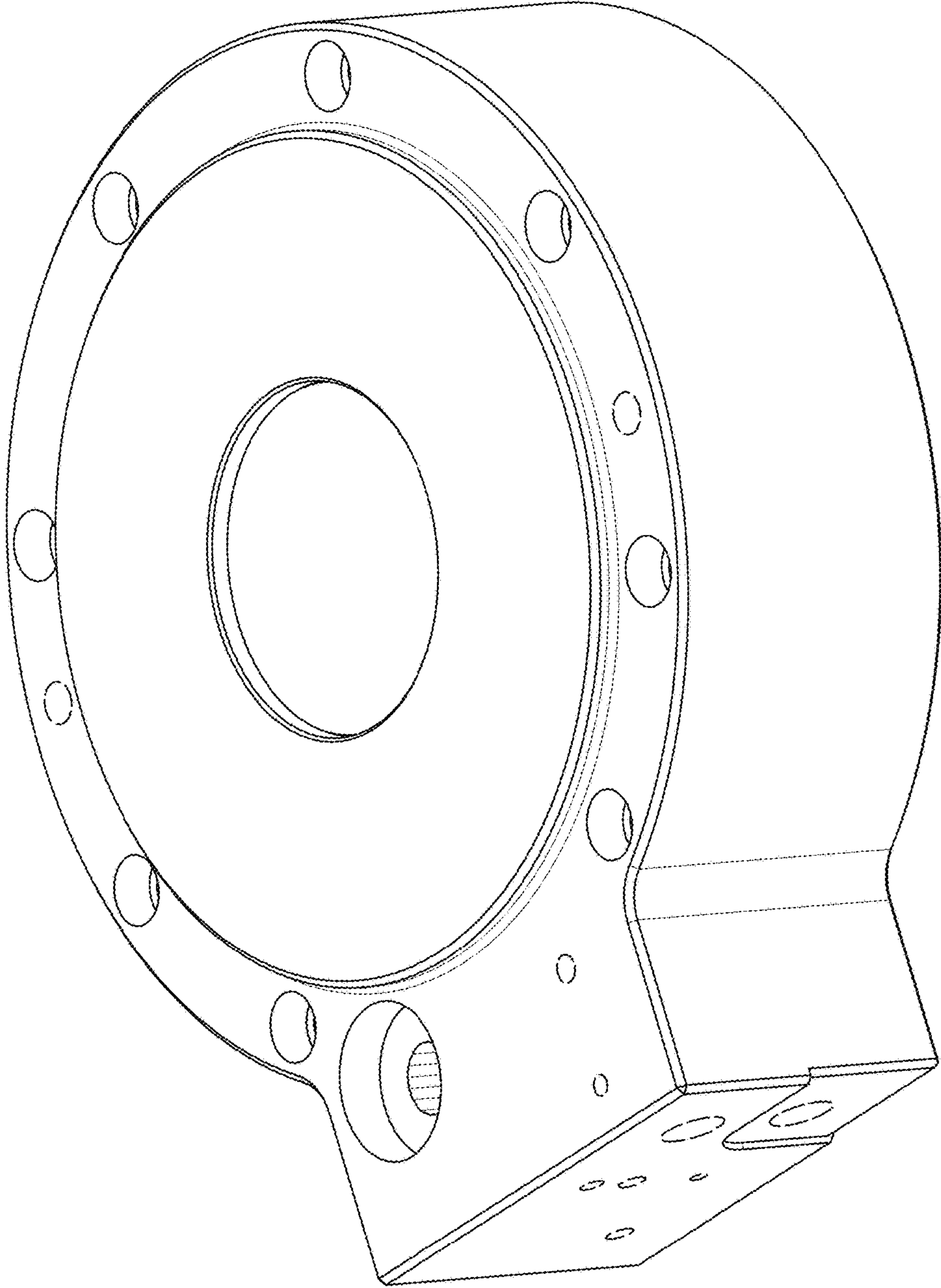


FIG. 8

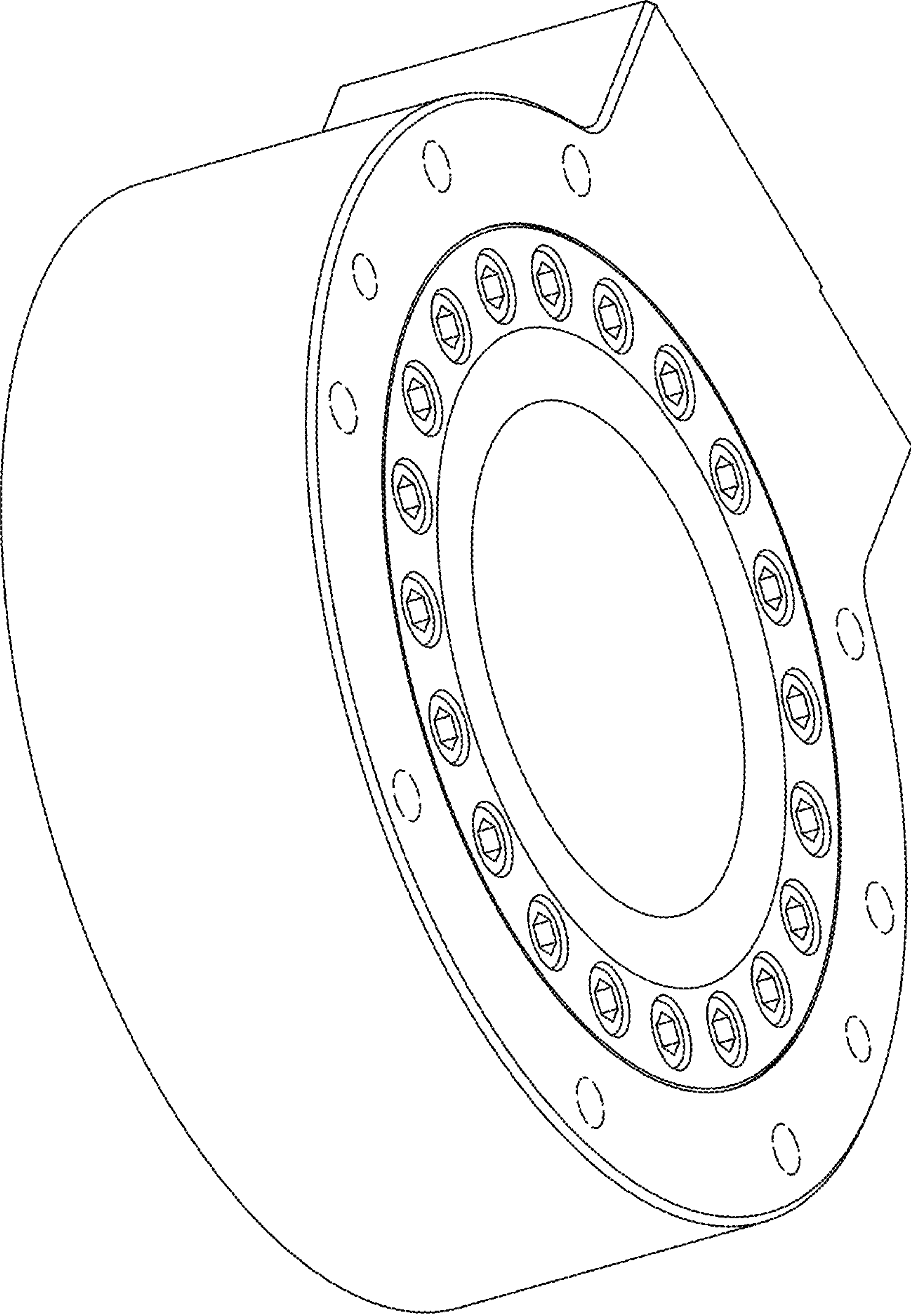


FIG. 9