



US00D806143S

(12) **United States Design Patent**
Zhang et al.

(10) **Patent No.:** **US D806,143 S**
(45) **Date of Patent:** **** Dec. 26, 2017**

(54) **ICE MAKER**

(71) Applicants: **MIDEA GROUP CO., LTD.**, Foshan (CN); **MIDEA AMERICA CORPORATION**, Parsippany, NJ (US)

(72) Inventors: **Zhe Zhang**, Foshan (CN); **Feng Wen**, Hefei (CN); **Chenglong Hong**, Hefei (CN); **Mark W. Wilson**, Louisville, KY (US); **Jing Pan**, Foshan (CN)

(73) Assignees: **MIDEA GROUP CO., LTD.**, Foshan (CN); **MIDEA AMERICA CORPORATION**, Parsippany, NJ (US)

(**) Term: **15 Years**

(21) Appl. No.: **29/582,597**

(22) Filed: **Oct. 28, 2016**

(30) **Foreign Application Priority Data**

Sep. 29, 2016 (CN) 2016 3 0488249

(51) **LOC (10) Cl.** **15-07**

(52) **U.S. Cl.**
USPC **D15/89**

(58) **Field of Classification Search**

USPC D15/79-91; D9/434, 435, 438, 439, 440, D9/443, 446, 447, 448, 449, 450, 452, D9/453, 454, 502, 504; D24/127-131, D24/112-114, 133, 186; D16/200, 210, D16/211, 218, 219, 202-206

CPC F25D 29/00; F25D 11/003; F25D 2700/08; F25D 11/02; F25D 11/022; F25D 13/06; F25D 19/006; F25D 2201/14; F25D 2323/00261; F25D 2323/00262; F25D 2323/00272; F25D 2400/361; F25D 2500/06; F25D 2700/02; F25D 2700/12; F25D 29/005; F25D 29/008; F25D 31/002; A61J 1/03; A61J 15/0015; A61J 15/0026; A61J 15/0069; A61J 1/201; A61J 1/2055; A61J 1/2096; A61J 2200/70; A61J 2205/30; A61J 2205/50;

A61M 2037/0023; A61M 2039/229; A61M 2205/0294; A61M 2205/3382; A61M 2205/581; A61M 2205/582; A61M 2205/584; A61M 2205/587; A61M 2205/60; A61M 2205/6072; A61M 2205/8237; A61M 2207/00; A61M 2209/045; A61M 2209/086; A61M 2210/0612; A61M 25/0017; A61M 25/002; B65D 1/0246;

(Continued)

(56) **References Cited**

U.S. PATENT DOCUMENTS

D428,428 S * 7/2000 Ono D16/134
D457,247 S * 5/2002 Itheme D24/216

(Continued)

Primary Examiner — Ian Simmons

Assistant Examiner — Khawaja Anwar

(74) *Attorney, Agent, or Firm* — Hodgson Russ LLP

(57) **CLAIM**

The ornamental design for an ice maker, as shown and described.

DESCRIPTION

FIG. 1 is a front elevation view of an ice maker showing our new design;

FIG. 2 is a rear elevation view thereof;

FIG. 3 is a left side elevation view thereof;

FIG. 4 is a right side elevation view thereof;

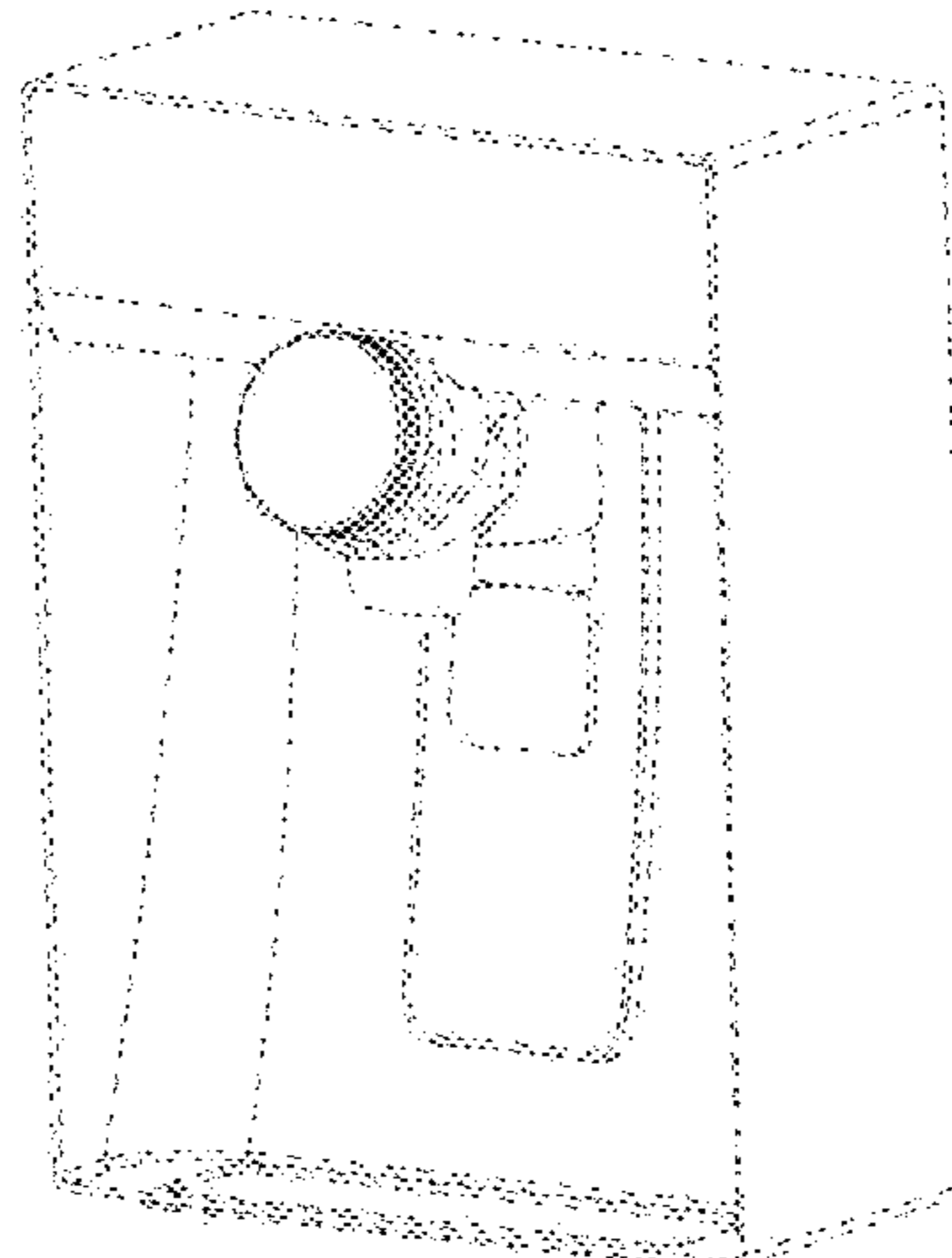
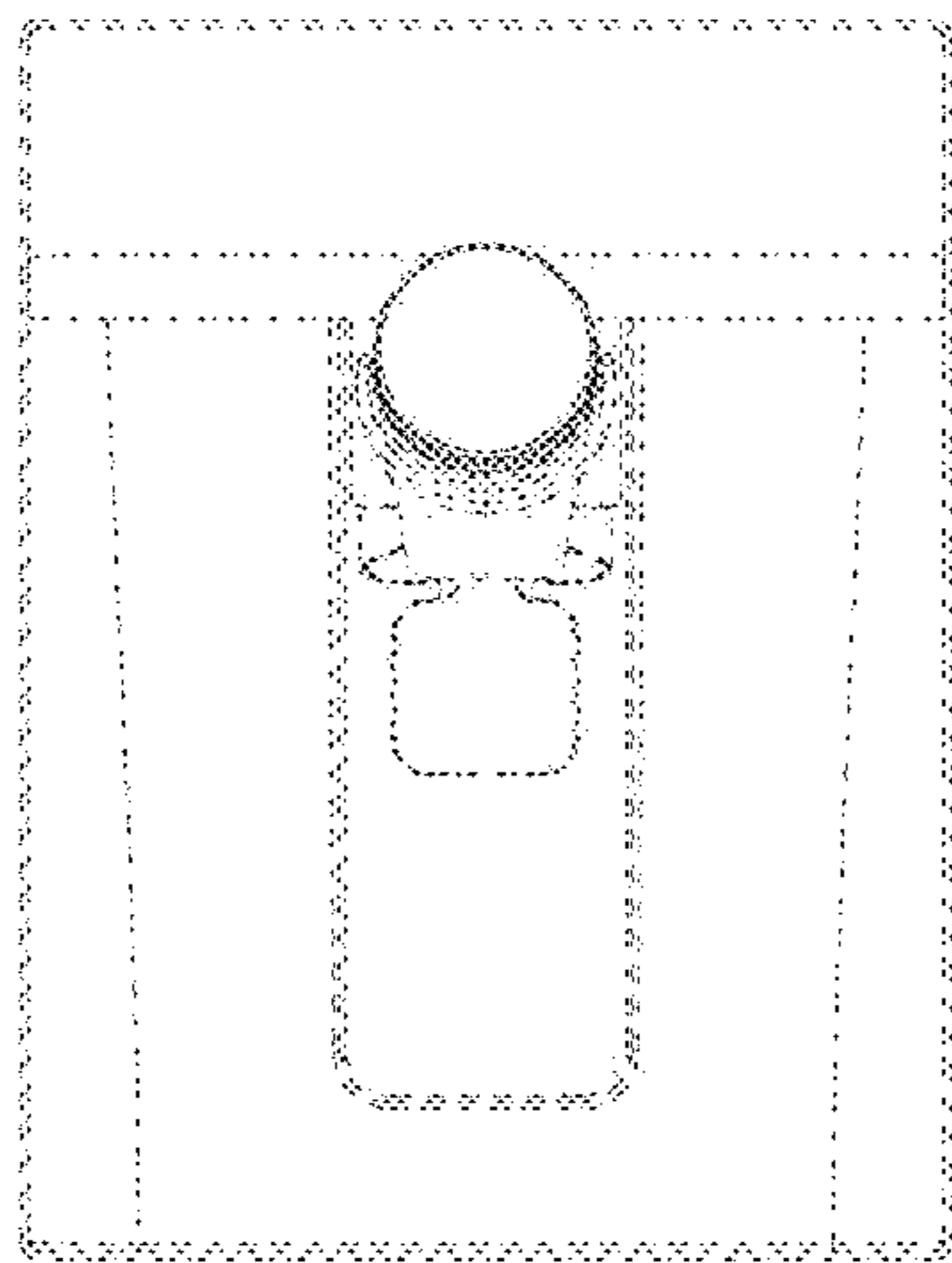
FIG. 5 is a top plan view thereof;

FIG. 6 is a perspective view thereof; and,

FIG. 7 is a perspective view showing the ice maker mounted to an exemplary refrigerator.

The broken lines shown in FIGS. 1-6 represent unclaimed features that form no part of the claimed design; the broken lines shown in FIG. 7 represent environment that forms no part of the claimed design.

1 Claim, 7 Drawing Sheets



(58) **Field of Classification Search**

CPC B65D 41/0471; B65D 51/24; B65D 83/0409; B65D 83/049; B65D 1/0223; B65D 1/165; B65D 1/20; B65D 1/36; B65D 21/086; B65D 2501/0081; B65D 25/205; B65D 35/56; B65D 41/0435; B65D 41/0442; B65D 41/16; B65D 43/0225; B65D 50/046; B65D 5/103; B65D 65/02; B65D 77/003; B65D 77/06; B65D 77/065; B65D 77/22; B65D 81/2015; B65D 81/3888; B65D 83/00; B65D 85/00

See application file for complete search history.

(56) **References Cited**

U.S. PATENT DOCUMENTS

D481,801 S * 11/2003 Whitley D24/224
 D566,158 S * 4/2008 Yasutomi D16/134
 D589,988 S * 4/2009 Martin D15/89
 D619,003 S * 7/2010 Benoit-Gonin D9/453
 D651,897 S * 1/2012 Miceli D7/387
 D668,778 S * 10/2012 Motadel D24/224
 D673,852 S * 1/2013 Wood D9/453

D688,796 S * 8/2013 Niunoya D24/127
 D691,261 S * 10/2013 Kawamura D24/130
 D717,355 S * 11/2014 Imai D16/219
 D722,689 S * 2/2015 Miceli D24/127
 D723,919 S * 3/2015 Taber D9/438
 D727,152 S * 4/2015 Yaseen D9/454
 D727,375 S * 4/2015 You D15/86
 D730,956 S * 6/2015 You D15/91
 D757,128 S * 5/2016 Seo D15/89
 D760,384 S * 6/2016 Niunoya D24/127
 D763,691 S * 8/2016 Marantis D9/434
 D775,950 S * 1/2017 Rognard D9/434
 D783,402 S * 4/2017 Martini D9/434
 D783,700 S * 4/2017 Tagawa D16/219
 D784,132 S * 4/2017 Johnson D9/434
 D794,226 S * 8/2017 Englert D26/2
 2003/0132244 A1 * 7/2003 Birkmayer B65D 41/3442
 222/83
 2011/0114593 A1 * 5/2011 Ishii B65D 41/325
 215/253
 2011/0290755 A1 * 12/2011 Taber B65D 41/00
 215/329
 2013/0319968 A1 * 12/2013 Edie B65D 41/38
 215/252
 2015/0246753 A1 * 9/2015 Iskarous G01N 35/04
 215/355

* cited by examiner

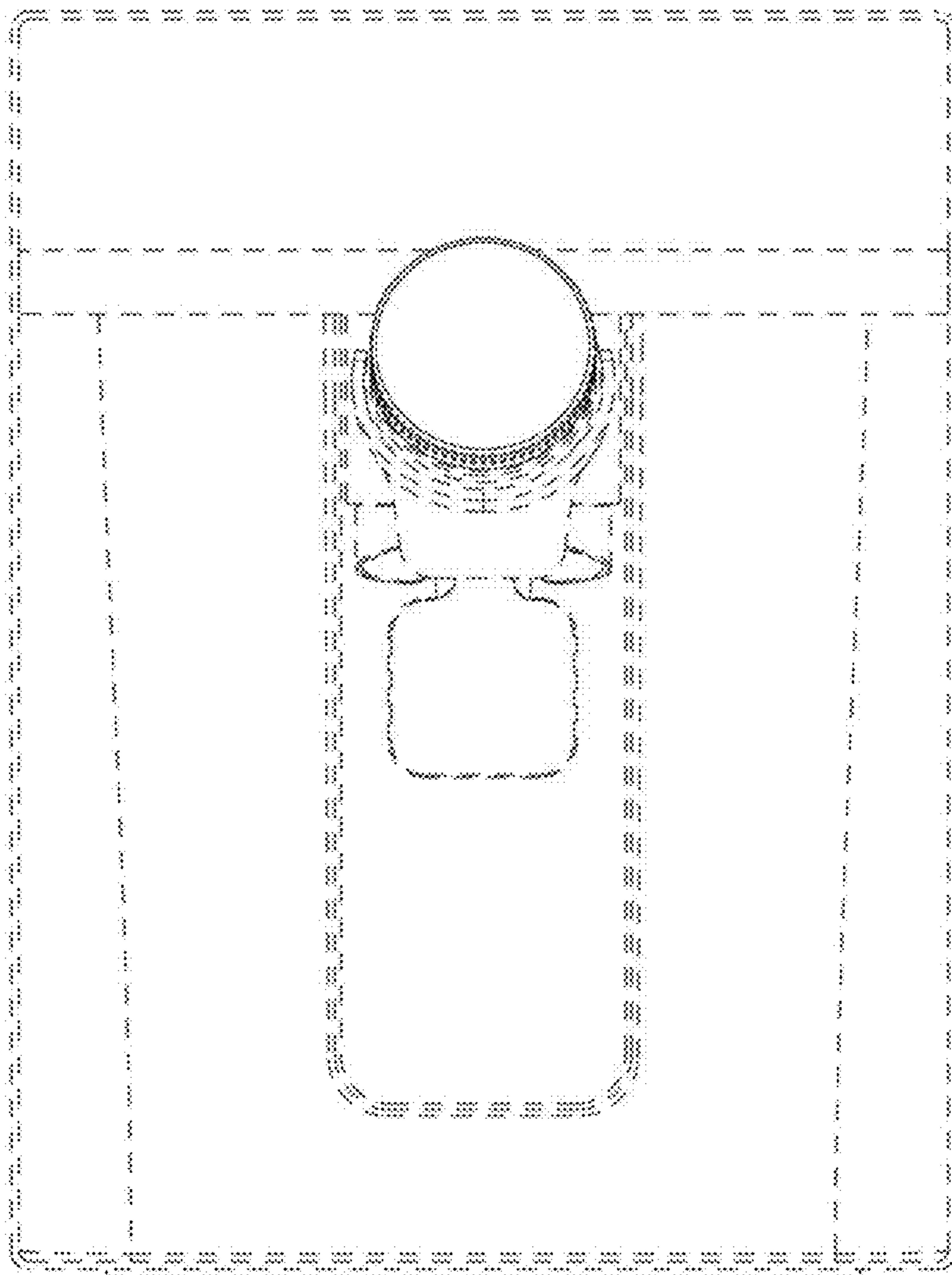


Fig. 1

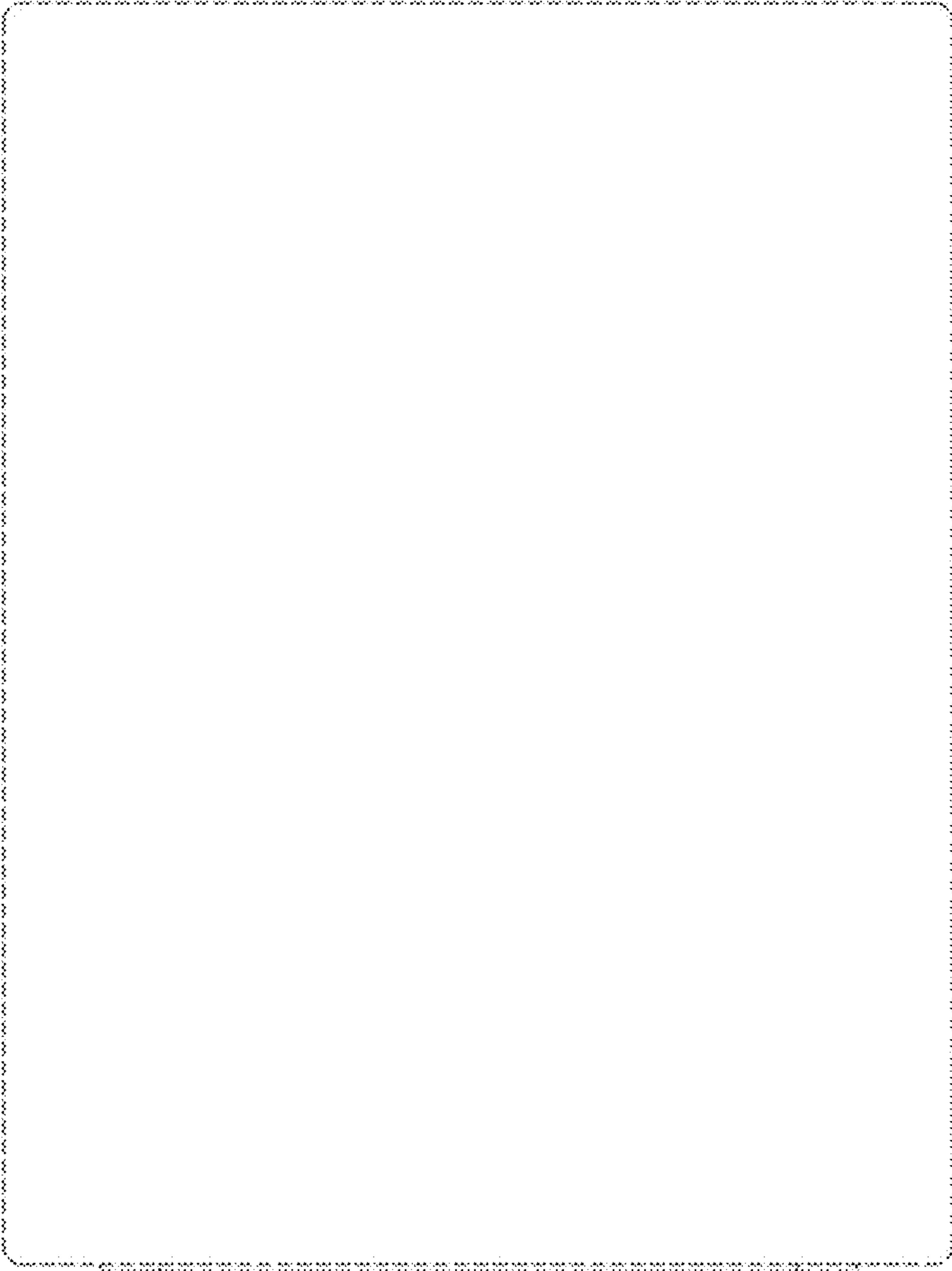


Fig. 2

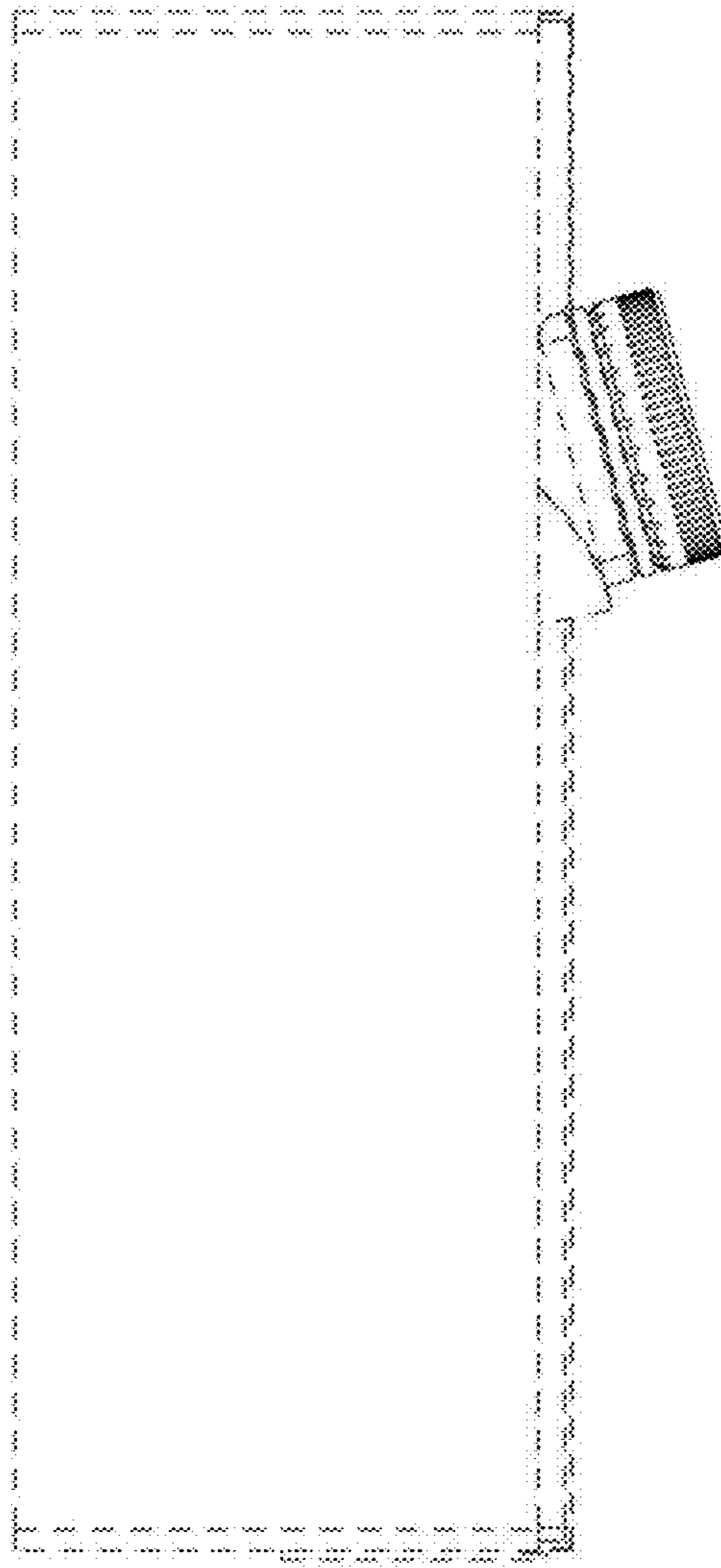


Fig. 3

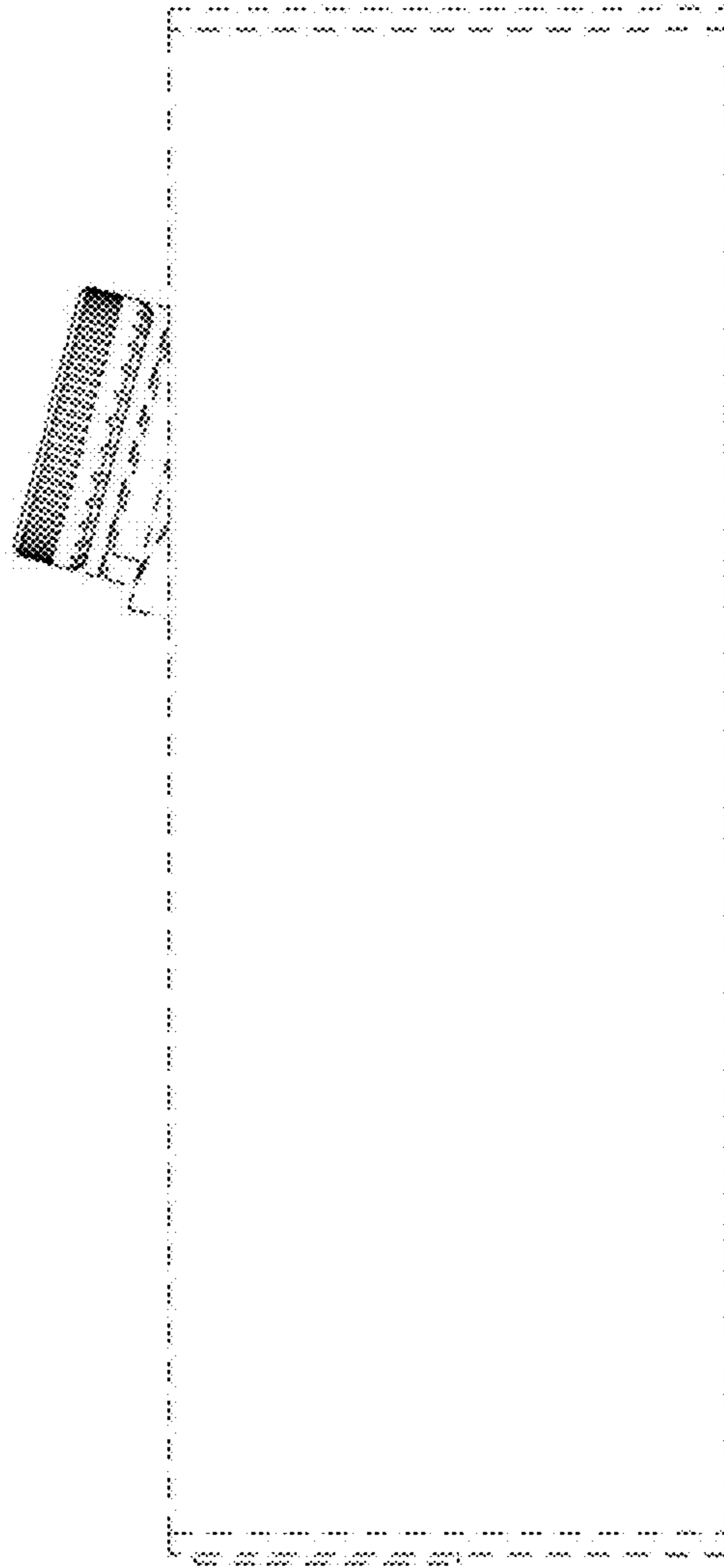


Fig. 4

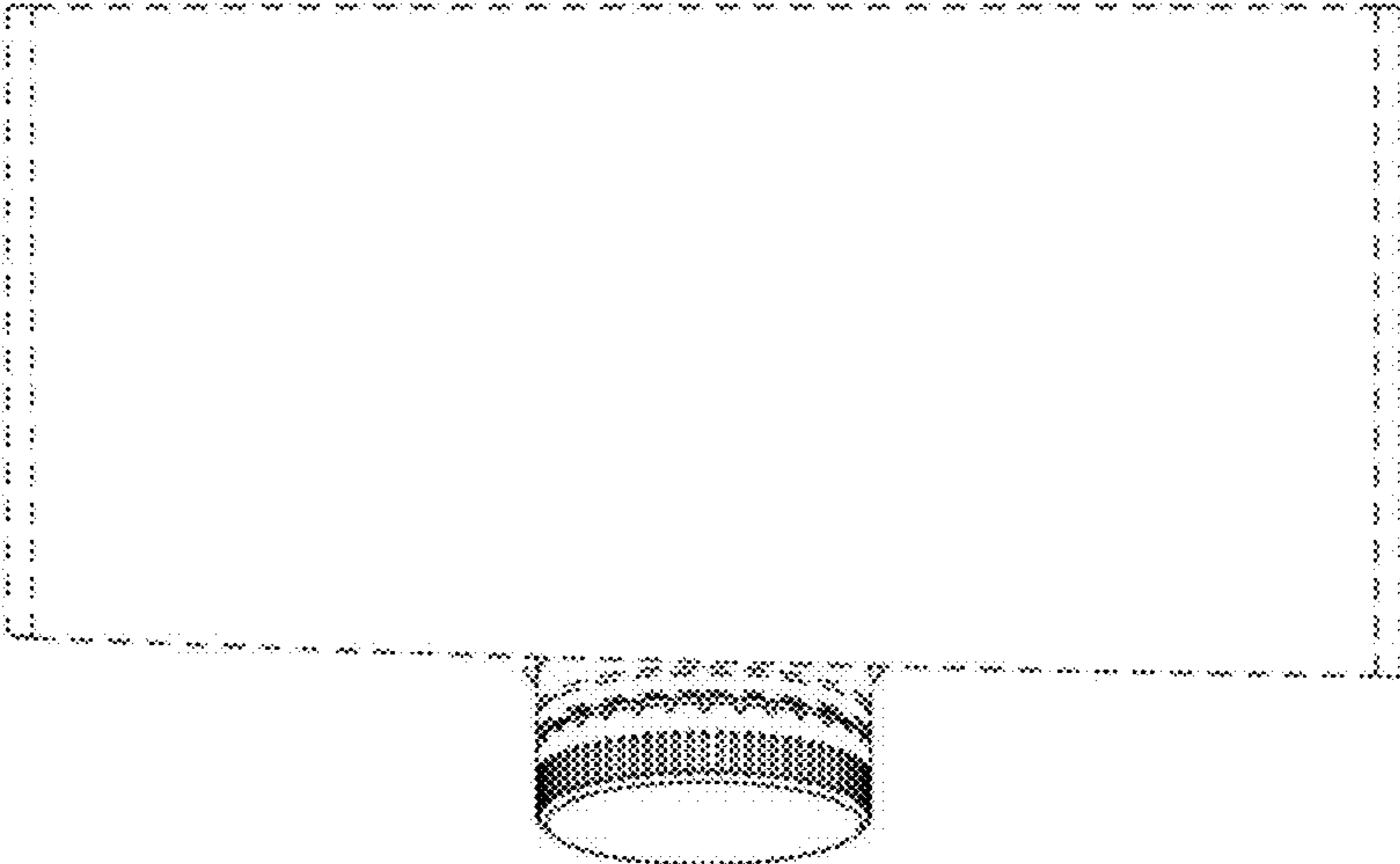


Fig. 5

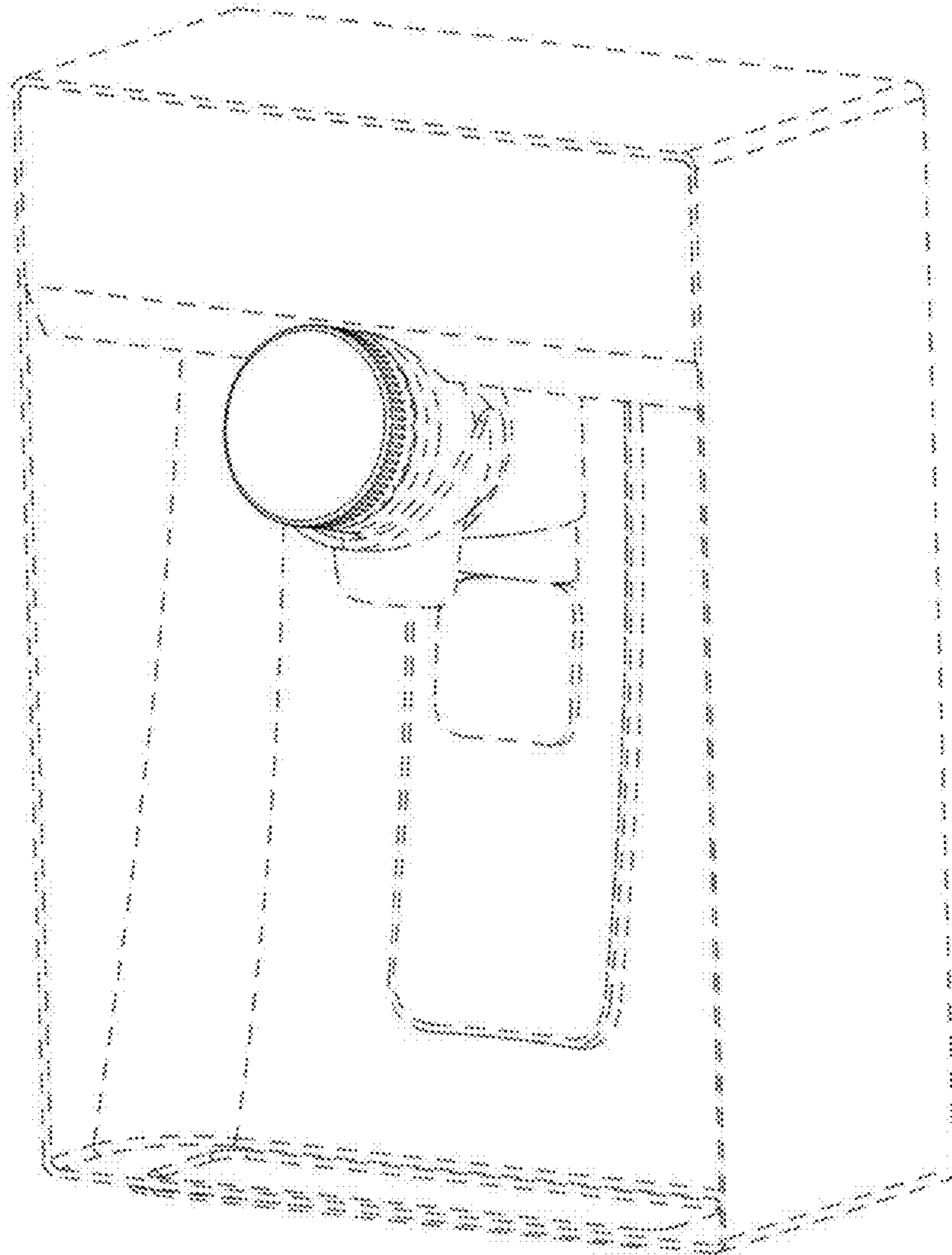


Fig. 6

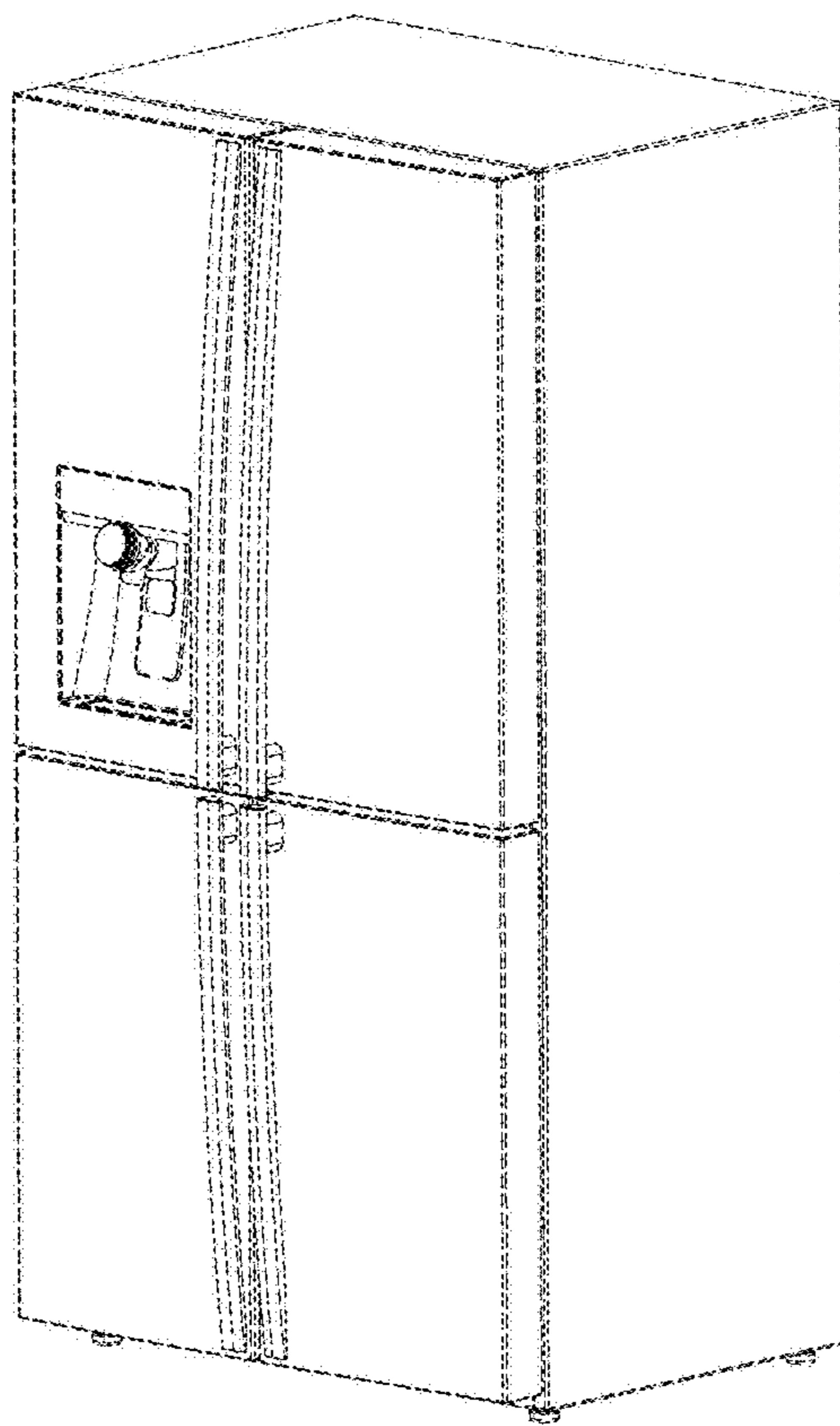


Fig.7