



US00D806138S

(12) **United States Design Patent** (10) **Patent No.:** **US D806,138 S**
Shi et al. (45) **Date of Patent:** **** *Dec. 26, 2017**

(54) **GUARD FOR A WALK BEHIND POWER TROWEL**

(71) Applicant: **MULTIQUIP, INC.**, Carson, CA (US)

(72) Inventors: **Xiwen Shi**, Richmond Hill (CA);
Tianying Guan, Shanghai (CN)

(*) Notice: This patent is subject to a terminal disclaimer.

(**) Term: **14 Years**

(21) Appl. No.: **29/520,580**

(22) Filed: **Mar. 16, 2015**

(51) **LOC (10) Cl.** **15-03**

(52) **U.S. Cl.**
USPC **D15/28**

(58) **Field of Classification Search**
USPC D15/10, 28; 404/96, 97, 112, 133
CPC E04F 21/24; E04F 21/00
See application file for complete search history.

(56) **References Cited**

U.S. PATENT DOCUMENTS

3,791,754	A *	2/1974	Zochil	E04F 21/24 404/112
3,973,857	A *	8/1976	Whiteman, Jr.	E04F 21/24 404/112
4,027,991	A *	6/1977	Maass	E04F 21/24 404/112
4,046,483	A *	9/1977	Sutherland	E04F 21/24 404/112

4,232,980	A *	11/1980	Tertinek	E04F 21/24 192/129 R
D400,544	S *	11/1998	Allen	D15/28
D404,041	S *	1/1999	Allen	D15/28
D413,127	S *	8/1999	Allen	D15/28
D416,564	S *	11/1999	Allen	D15/10
6,019,545	A *	2/2000	Allen	E04F 21/24 404/112
D466,909	S *	12/2002	Allen	D15/10
D472,248	S *	3/2003	Riess	D15/10
D474,203	S *	5/2003	Allen	D15/10
6,582,153	B1 *	6/2003	Allen	E04F 21/24 404/112
D602,961	S *	10/2009	Chapple	D15/10
D618,256	S *	6/2010	Chapple	D15/10

* cited by examiner

Primary Examiner — Mark Goodwin

(74) *Attorney, Agent, or Firm* — Frank J. Dykas; Dykas Law Offices

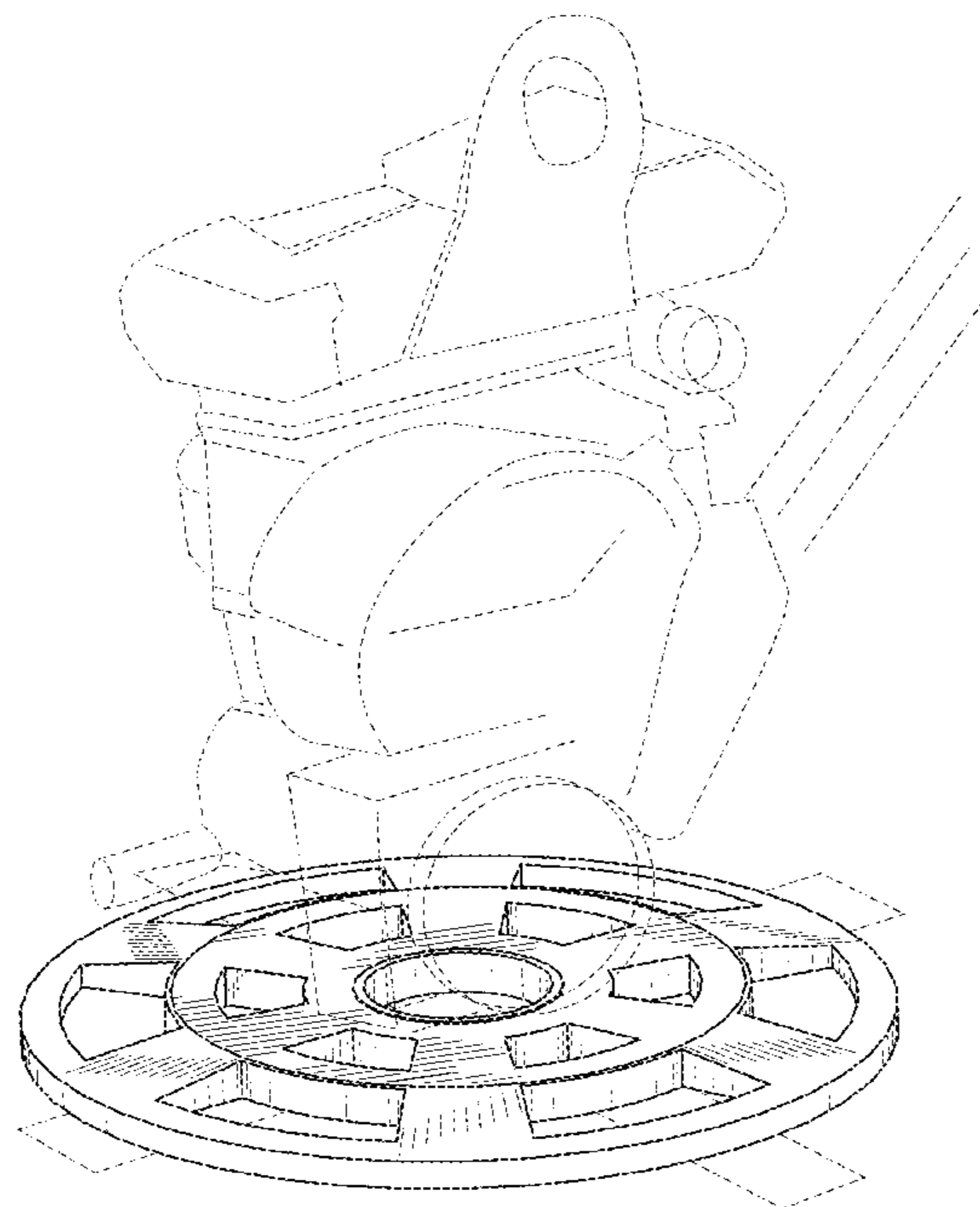
(57) **CLAIM**

The ornamental design for a guard for a walk behind power trowel, as shown and described.

DESCRIPTION

FIG. 1 is a perspective view of a guard for a walk behind power trowel showing my new design. Any broken lines within this Figure showing the environment are for illustrative purposes only and form no part of the claimed design; FIG. 2 is a top plan view thereof; FIG. 3 is a first side view thereof; FIG. 4 is a bottom plan view thereof; and, FIG. 5 is a second side view thereof.

1 Claim, 3 Drawing Sheets



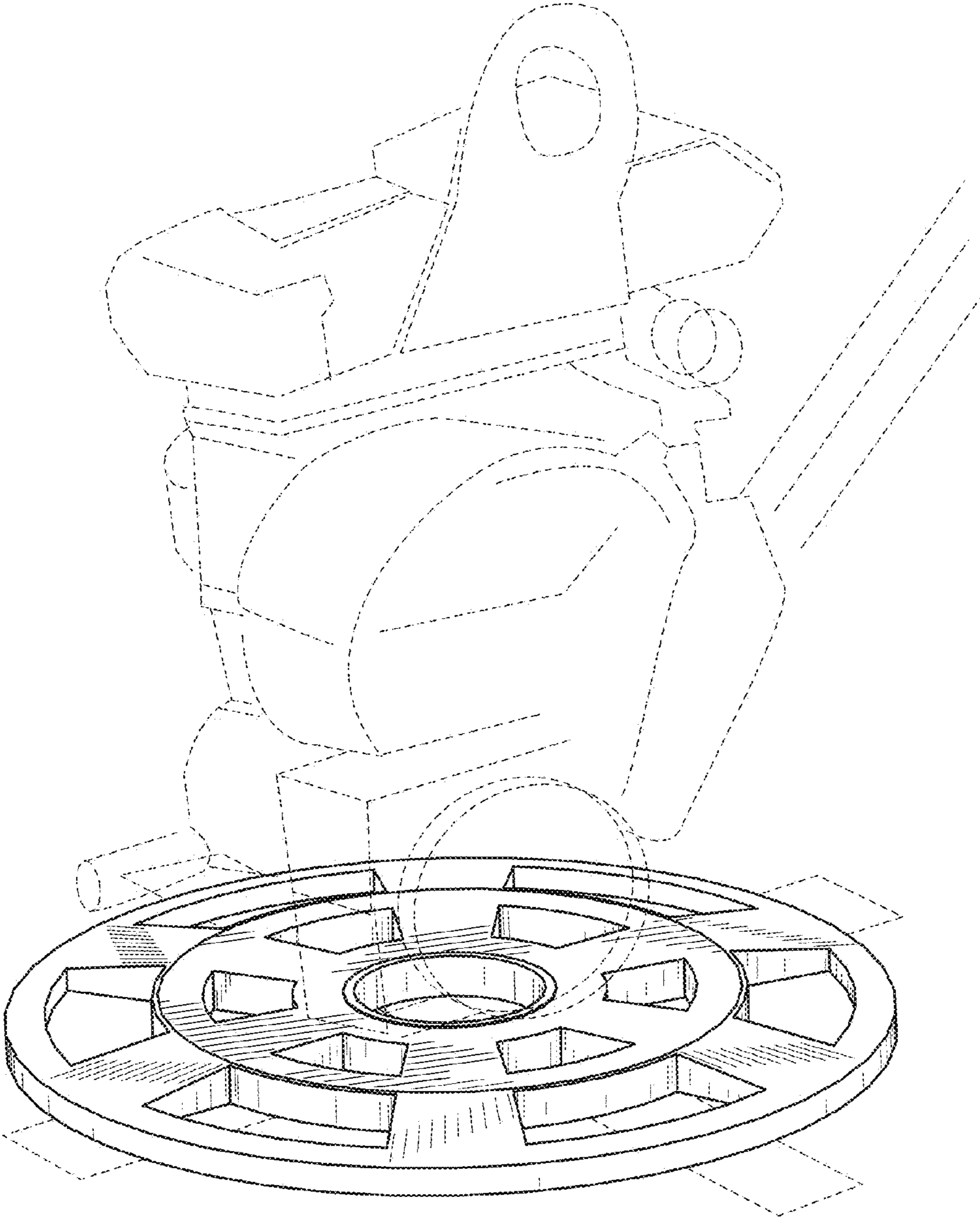


FIG. 1

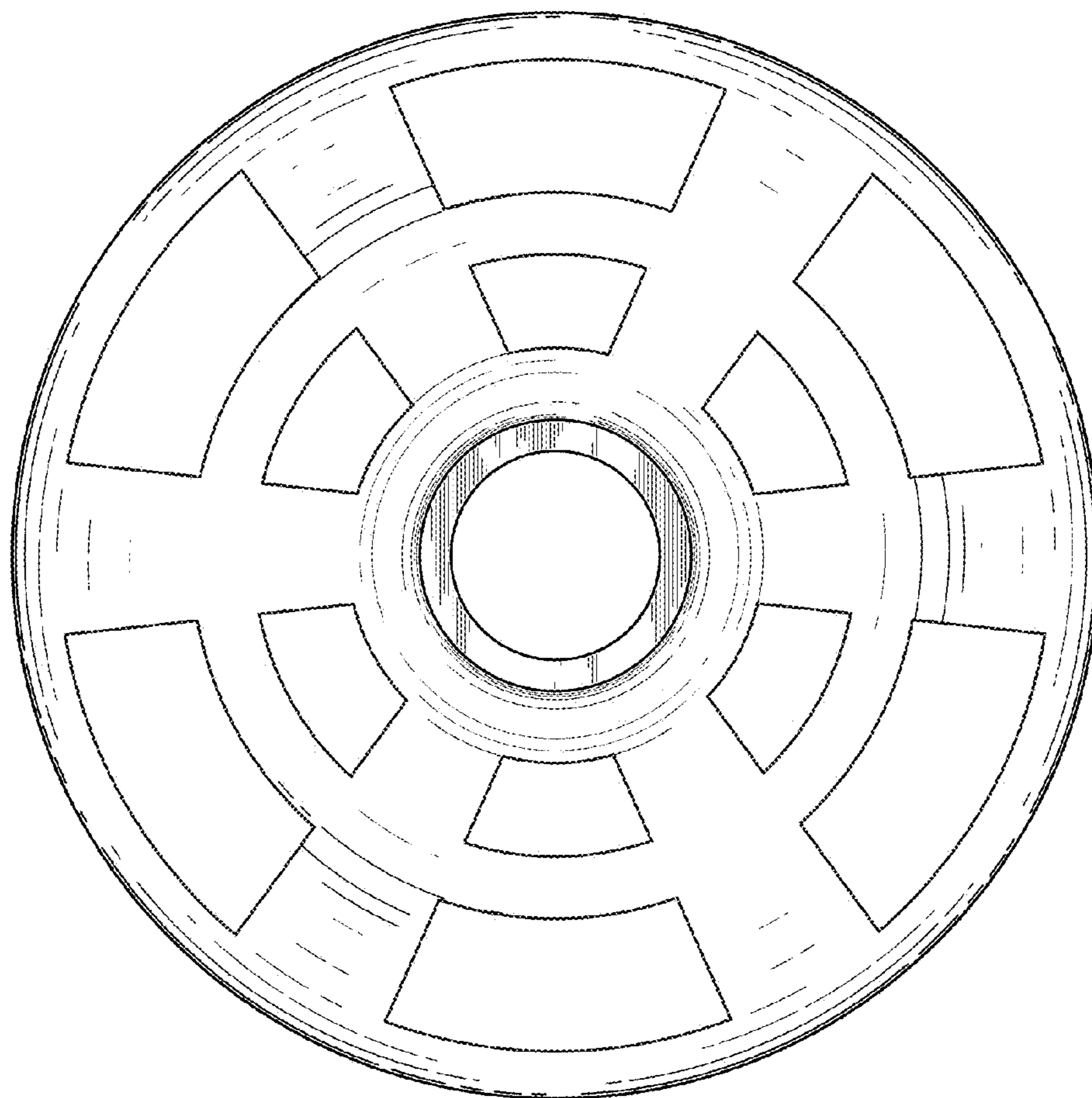


FIG. 2

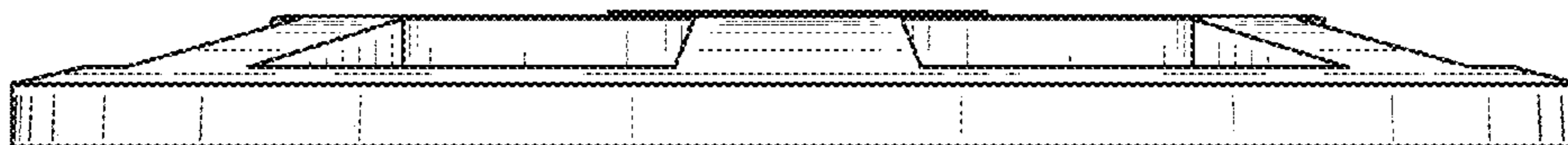


FIG. 3

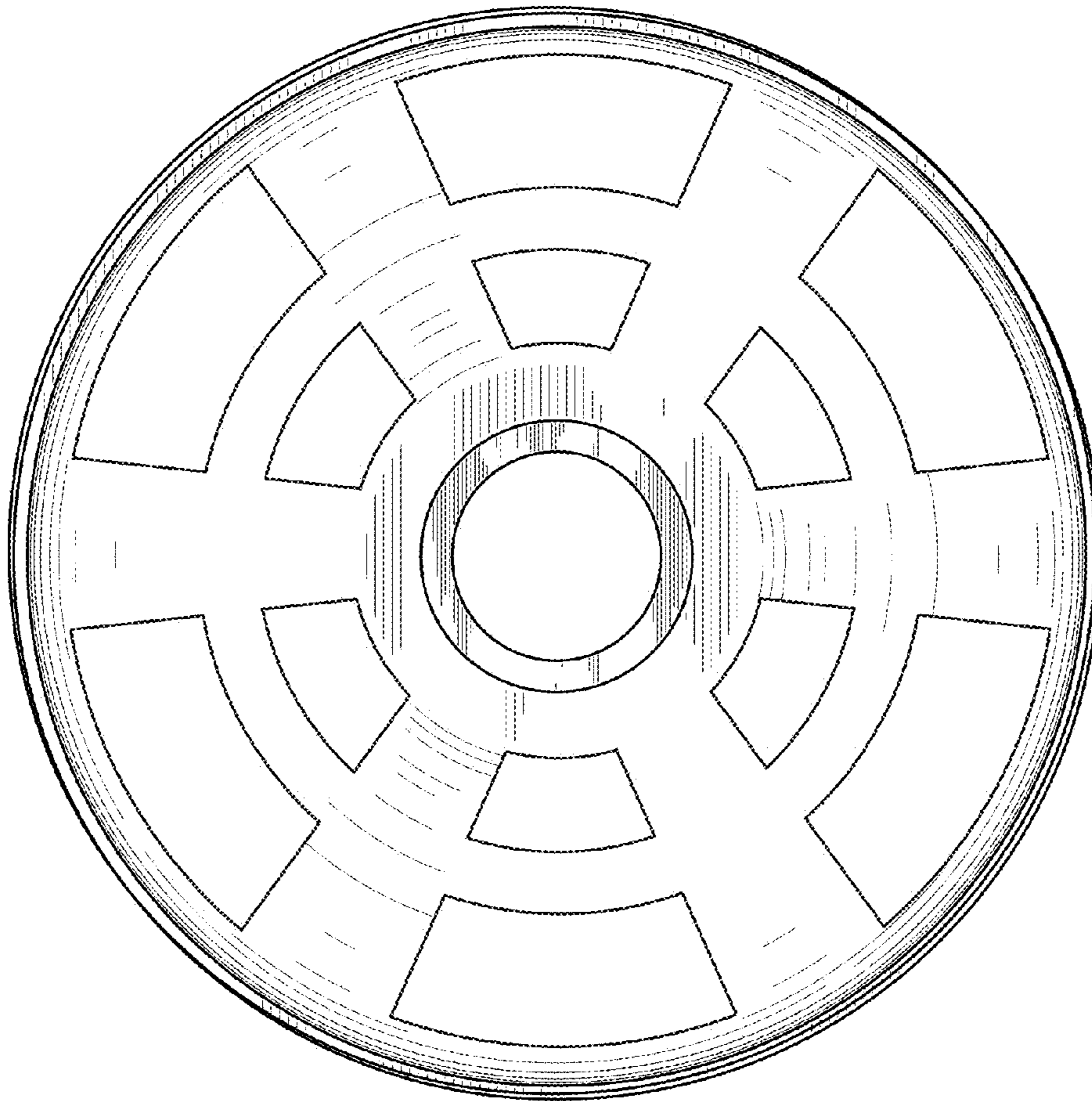


FIG. 4

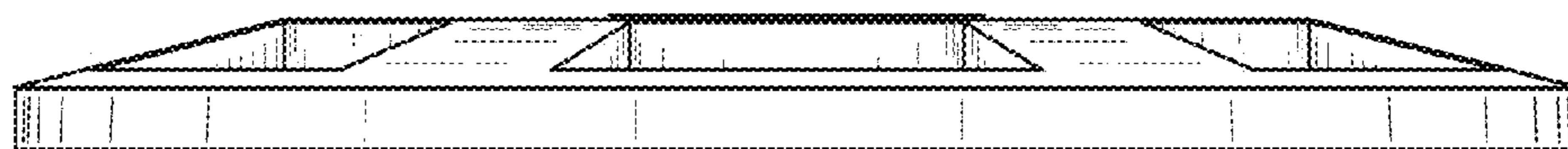


FIG. 5