



US00D806137S

(12) **United States Design Patent** (10) **Patent No.:** **US D806,137 S**  
**Hashimoto et al.** (45) **Date of Patent:** **\*\* Dec. 26, 2017**

(54) **BACKHOE**  
 (71) Applicant: **Kubota Corporation**, Osaka-shi (JP)  
 (72) Inventors: **Ryo Hashimoto**, Sakai (JP); **Kenzo Kusama**, Sakai (JP); **Akihiro Ichihara**, Sakai (JP)  
 (73) Assignee: **Kubota Corporation**, Osaka (JP)

D538,304 S \* 3/2007 Uemura ..... D15/25  
 D555,675 S \* 11/2007 Matsubara ..... D15/25  
 7,503,419 B2 \* 3/2009 Miyake ..... E02F 3/384  
 180/326  
 D590,847 S \* 4/2009 Yonekura ..... D15/25  
 D614,205 S \* 4/2010 Kuwae ..... D15/25  
 D742,934 S 11/2015 Kushita et al.  
 2016/0186406 A1 \* 6/2016 Nakagaki ..... E02F 9/24  
 414/685

(\*\*) Term: **15 Years**  
 (21) Appl. No.: **29/582,528**

(22) Filed: **Oct. 28, 2016**  
 (51) **LOC (10) Cl.** ..... **12-09**  
 (52) **U.S. Cl.**  
 USPC ..... **D15/25**  
 (58) **Field of Classification Search**  
 USPC ..... D15/10, 22-26; 37/411, 379, 443, 347;  
 180/89.1, 89.12, 89.13, 900, 9.1, 9.2,  
 180/9.62, 14 R, 326; 414/694, 699,  
 414/722-724, 698, 719, 743, 685-688  
 CPC ..... E02F 3/384; E02F 9/0808; E02F 9/0816;  
 E02F 9/121; B62D 33/06; B62D 33/063  
 See application file for complete search history.

FOREIGN PATENT DOCUMENTS

JP 1419936 S 8/2011  
 JP 1420319 S 8/2011  
 JP 1508067 S 9/2014

\* cited by examiner

*Primary Examiner* — Mark Goodwin  
 (74) *Attorney, Agent, or Firm* — The Webb Law Firm

(57) **CLAIM**  
 The ornamental design for a backhoe, as shown and described.

DESCRIPTION

FIG. 1 is front view of a backhoe showing our new design;  
 FIG. 2 is a rear view thereof;  
 FIG. 3 is a left side view thereof;  
 FIG. 4 is a right side view thereof;  
 FIG. 5 is a top view thereof;  
 FIG. 6 is an upper left front perspective view thereof; and,  
 FIG. 7 is an upper left rear perspective view thereof.  
 A bottom view is omitted because it is plain and unornamental and forms no part of the subject matter of the claimed design.

**1 Claim, 7 Drawing Sheets**

(56) **References Cited**  
 U.S. PATENT DOCUMENTS  
 D458,941 S \* 6/2002 Miyanishi ..... D15/25  
 D460,462 S \* 7/2002 Miyanishi ..... D15/25  
 D463,455 S \* 9/2002 Yanagida ..... D15/25  
 6,502,896 B1 \* 1/2003 Nakata ..... B60J 5/0487  
 16/234  
 D518,071 S \* 3/2006 Gwak ..... D15/24

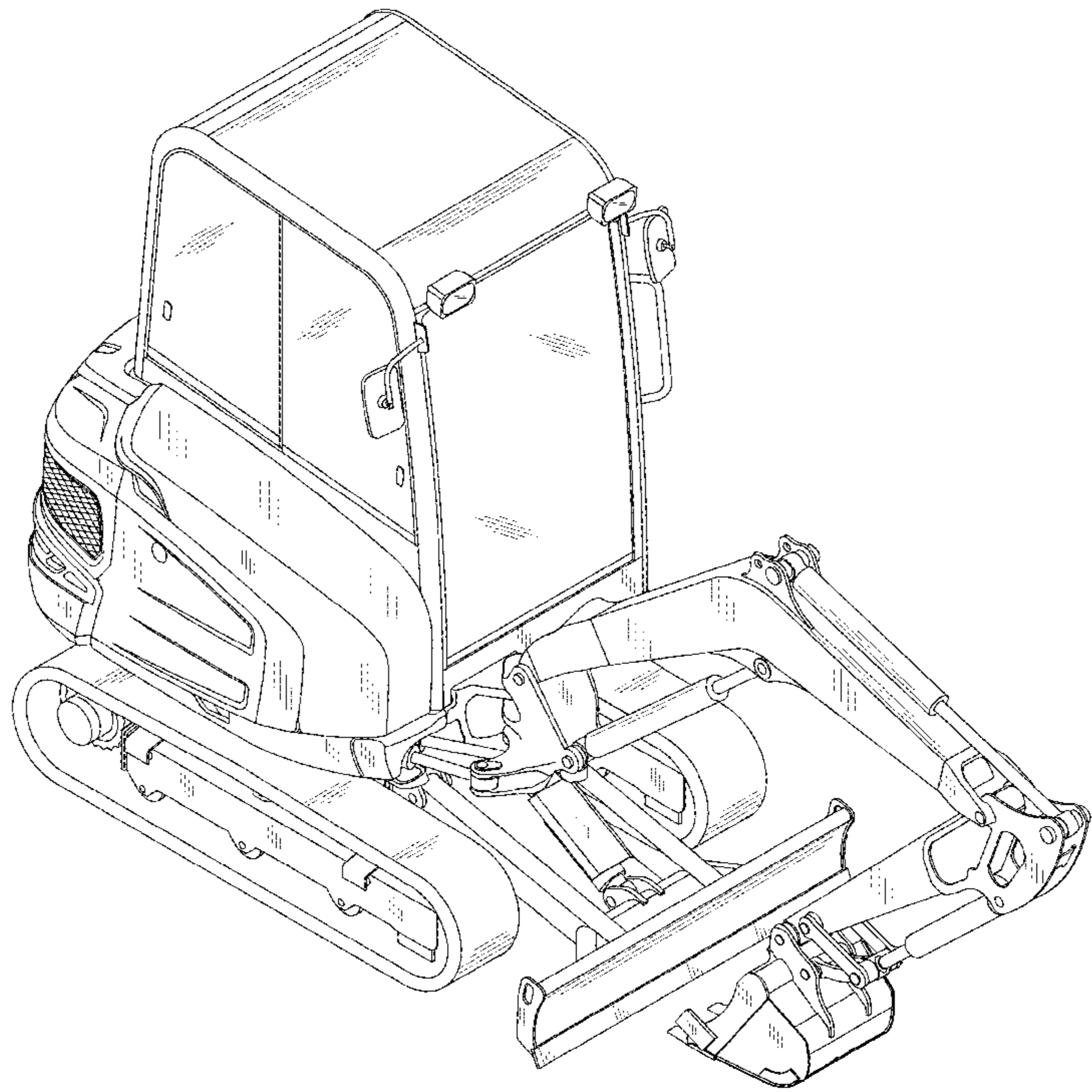


Fig. 1

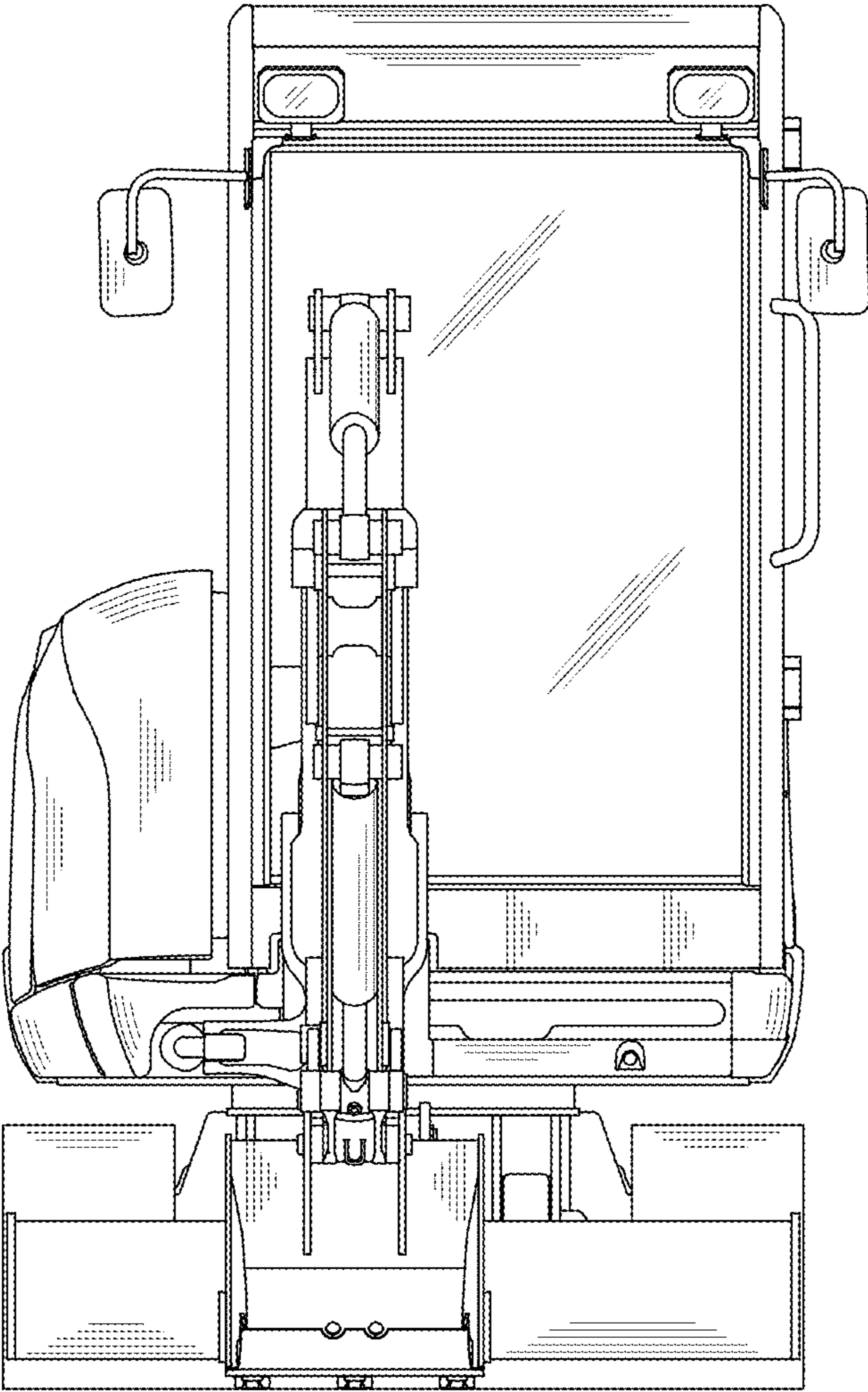


Fig.2

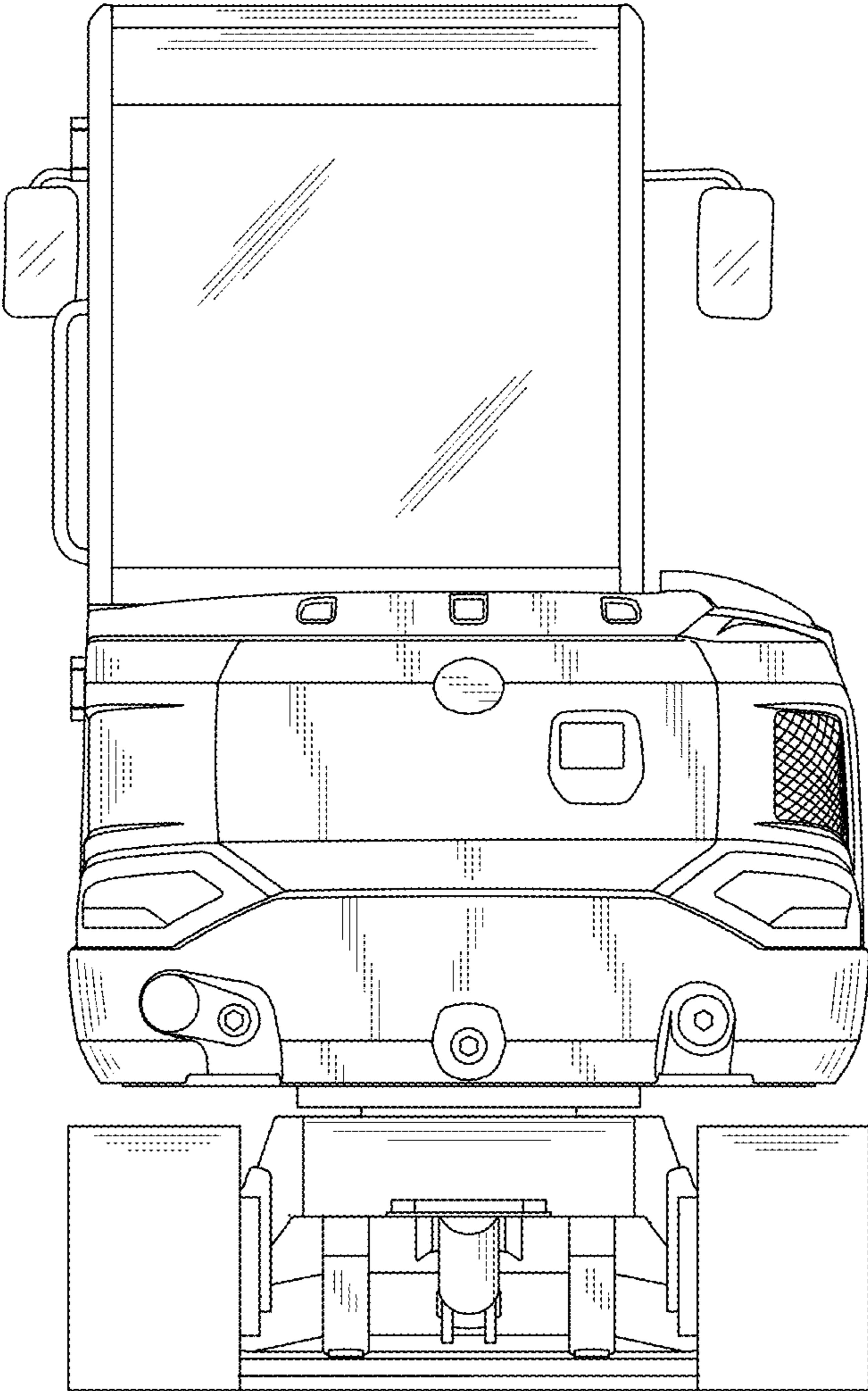




Fig.3

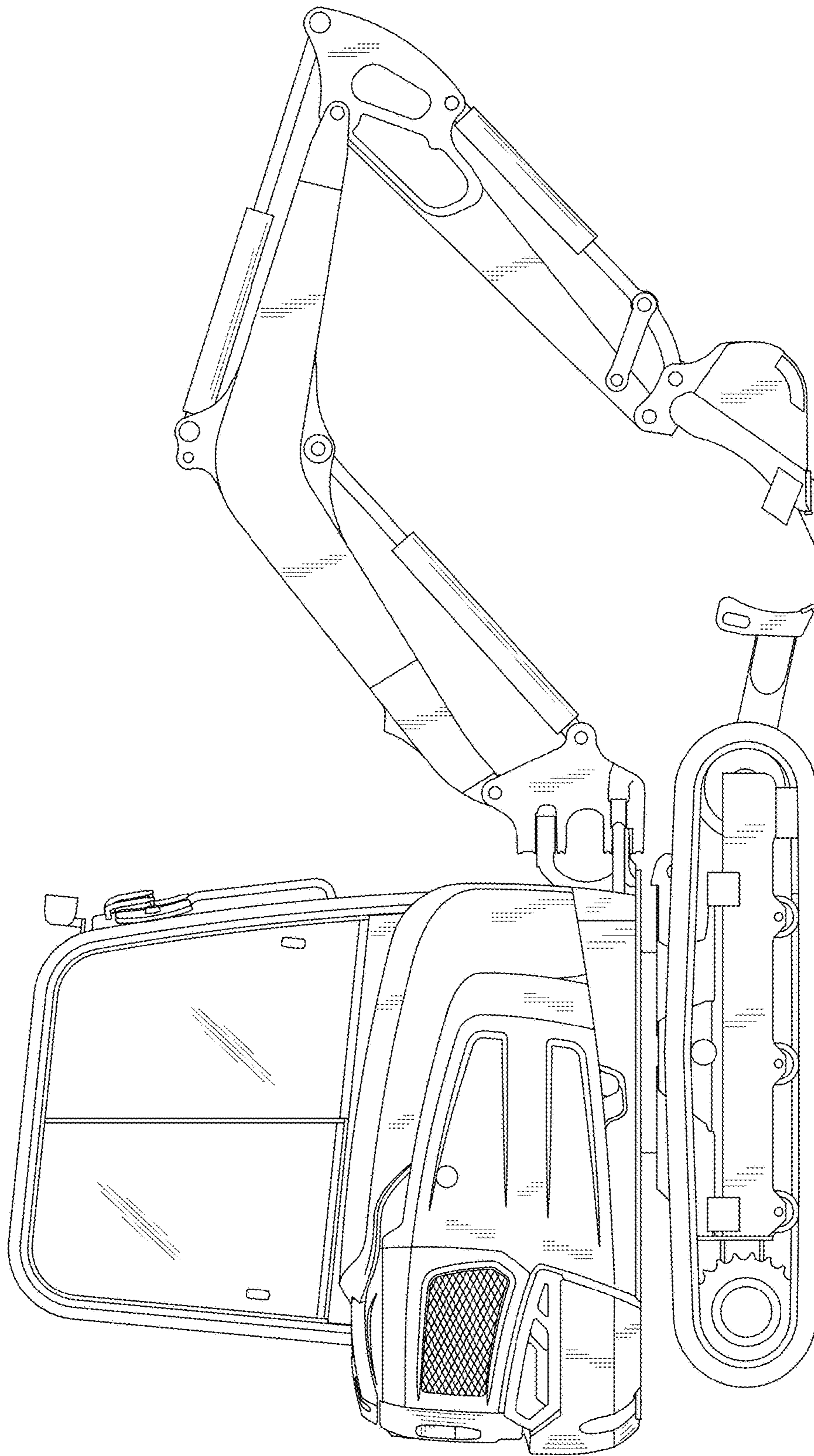


Fig.4

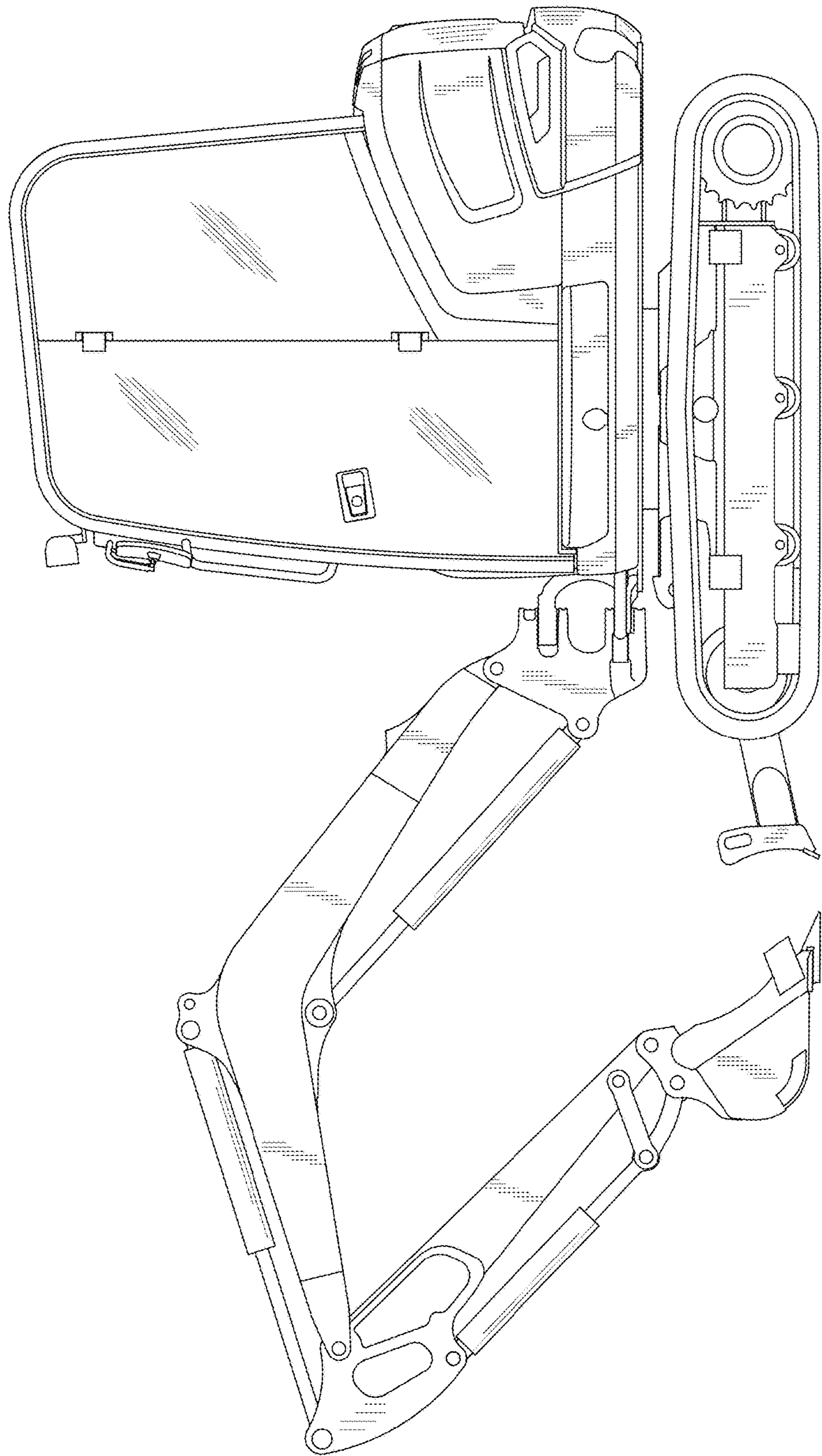


Fig.5

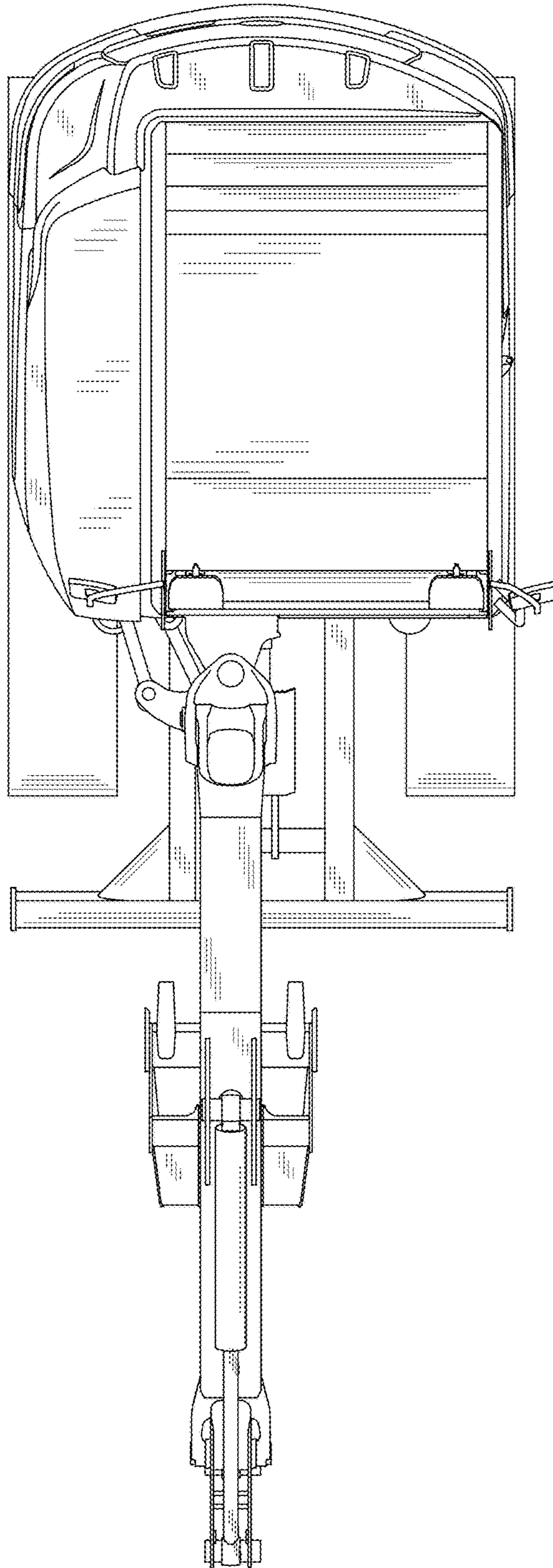




Fig.6

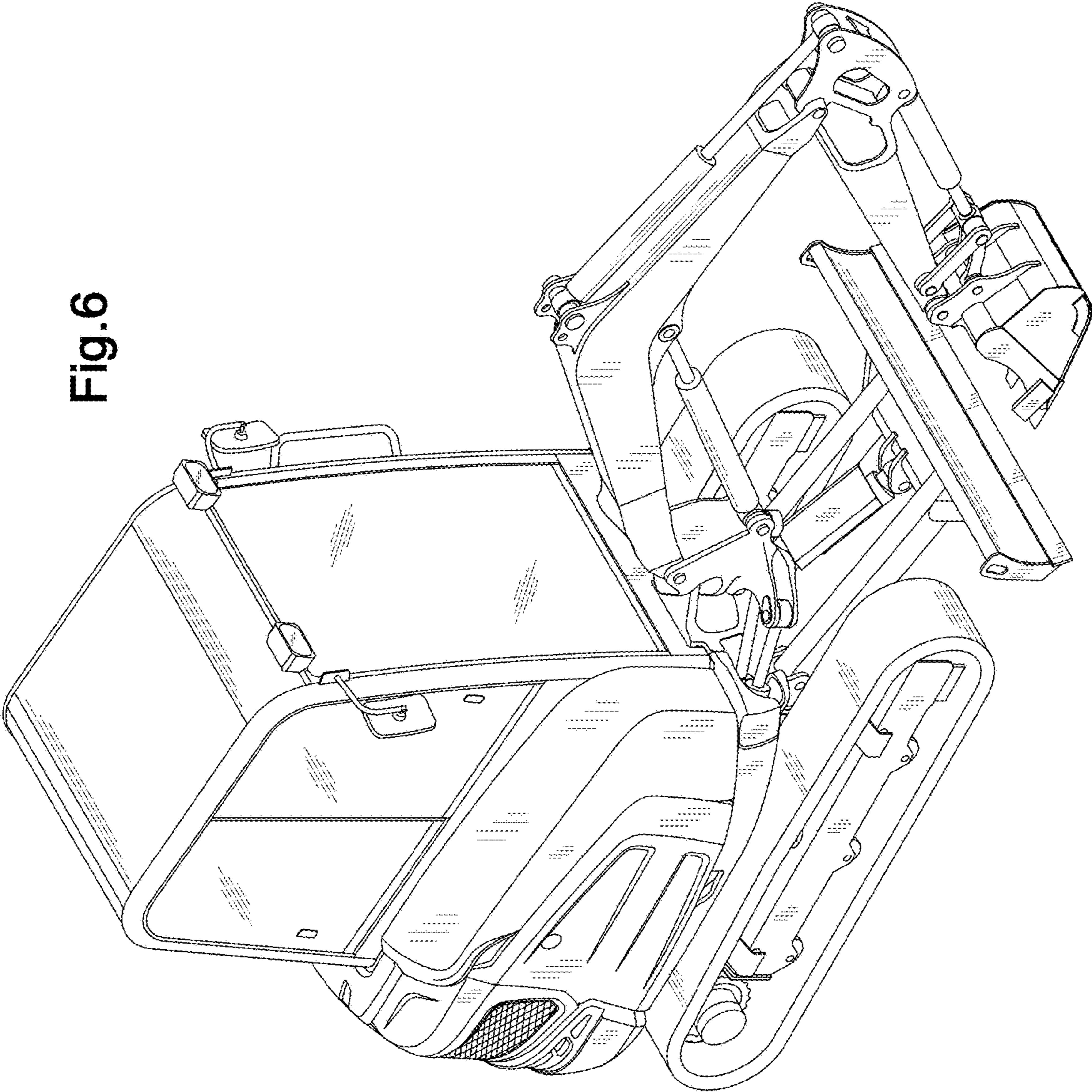


Fig. 7

