



US00D806135S

(12) **United States Design Patent**  
**Wood**

(10) **Patent No.:** **US D806,135 S**

(45) **Date of Patent:** **\*\* Dec. 26, 2017**

(54) **COMPRESSOR**

(71) Applicant: **Wood Industries Inc.**, Belmont, MS (US)

(72) Inventor: **Jeffery O. Wood**, Belmont, MS (US)

(73) Assignee: **Wood Industries Inc.**, Belmont, MS (US)

(\*\*) Term: **15 Years**

(21) Appl. No.: **29/582,909**

(22) Filed: **Oct. 31, 2016**

(51) **LOC (10) Cl.** ..... **15-02**

(52) **U.S. Cl.**  
USPC ..... **D15/9**

(58) **Field of Classification Search**  
USPC ..... D15/7-9; D23/231, 232, 225; 417/60, 417/235, 265, 321, 355, 358, 363, 359, 417/410.1, 415-416, 405, 900, 269, 539, 417/234; 60/408, 412; 184/26-37; 415/140-147; 123/495, 509; 137/565.34  
CPC ..... F02M 37/04; F02M 37/14; F04B 53/92; F04B 1/005  
See application file for complete search history.

(56) **References Cited**

U.S. PATENT DOCUMENTS

D487,097 S *	2/2004	Buck	.....	D15/9
D499,120 S *	11/2004	Buck	.....	D15/9
D499,430 S *	12/2004	Buck	.....	D15/9
D500,052 S *	12/2004	Lucchi	.....	D15/9
D555,173 S *	11/2007	Smith	.....	D15/9
D559,272 S *	1/2008	Buck	.....	D15/9
D574,020 S *	7/2008	Buck	.....	D15/9
D575,309 S *	8/2008	Steinfels	.....	D15/9
D603,871 S *	11/2009	Steinfels	.....	D15/7
8,167,579 B2 *	5/2012	Schultz	.....	F04B 35/06 417/234

D664,996 S *	8/2012	Hsiao	.....	D15/9
8,303,262 B1 *	11/2012	Hawkins	.....	F04B 17/05 280/6.155
8,313,309 B1 *	11/2012	Hawkins	.....	F04B 17/05 280/6.155
D680,556 S *	4/2013	Craig	.....	D15/7
8,727,233 B2 *	5/2014	Karp	.....	B08B 3/026 239/1
D710,902 S *	8/2014	Vintzel	.....	D15/9
D710,903 S *	8/2014	Vintzel	.....	D15/9

\* cited by examiner

*Primary Examiner* — Ralf Seifert

(74) *Attorney, Agent, or Firm* — Waller Lansden Dortch & Davis, LLP; Matthew C. Cox

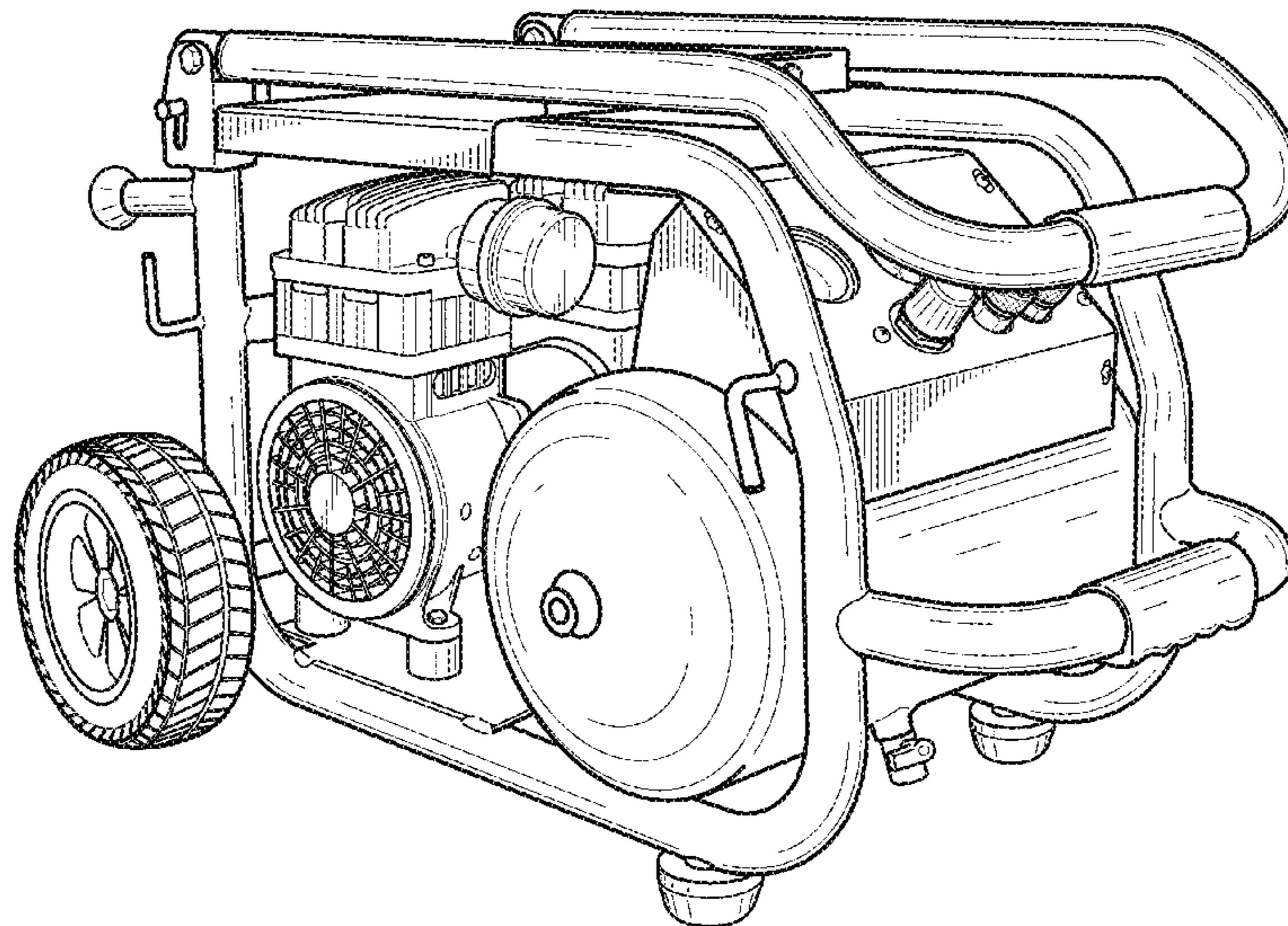
(57) **CLAIM**

What is claimed is the ornamental design for a “compressor,” as shown and described.

**DESCRIPTION**

FIG. 1 is a right front perspective view of the “compressor” of Applicant’s invention.  
 FIG. 2 is a back left perspective view of the “compressor” of Applicant’s invention.  
 FIG. 3 is a right elevation view of the “compressor” of Applicant’s invention.  
 FIG. 4 is a left elevation view of the “compressor” of Applicant’s invention.  
 FIG. 5 is a front elevation view of the “compressor” of Applicant’s invention.  
 FIG. 6 is a back elevation view of the “compressor” of Applicant’s invention.  
 FIG. 7 is a top view of the “compressor” of Applicant’s invention; and,  
 FIG. 8 is a bottom view of the “compressor” of Applicant’s invention.

**1 Claim, 8 Drawing Sheets**



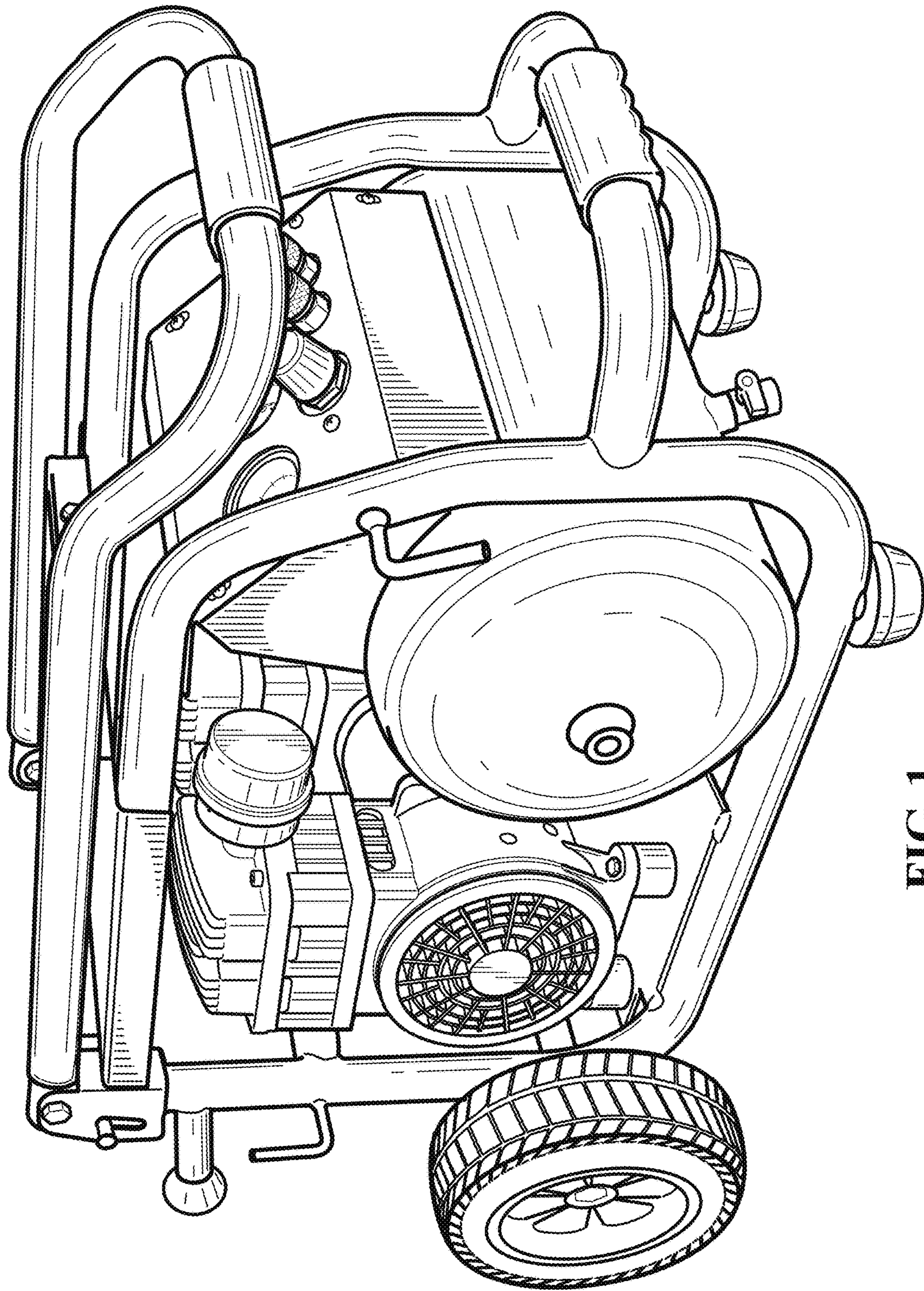


FIG. 1

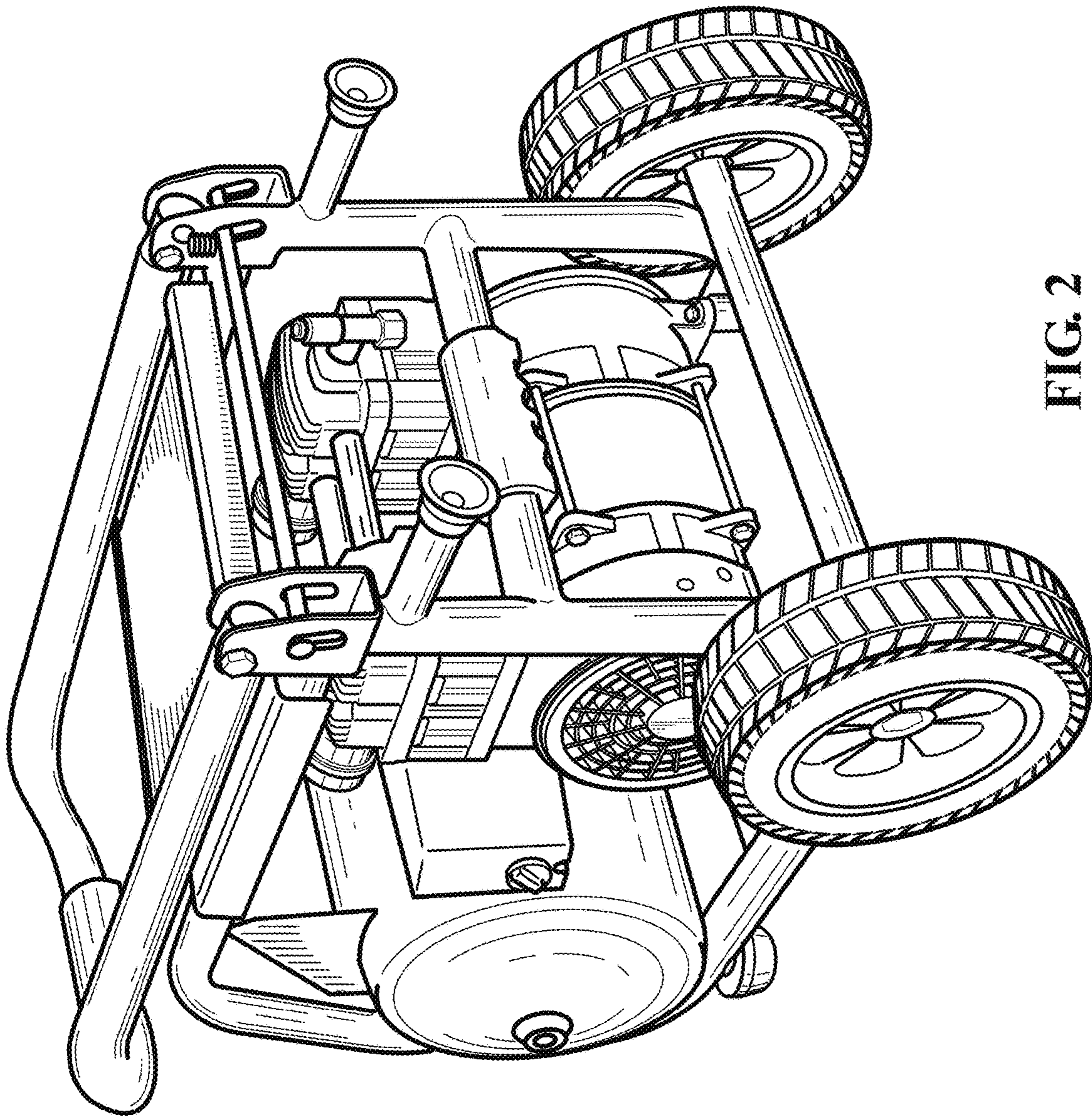


FIG. 2

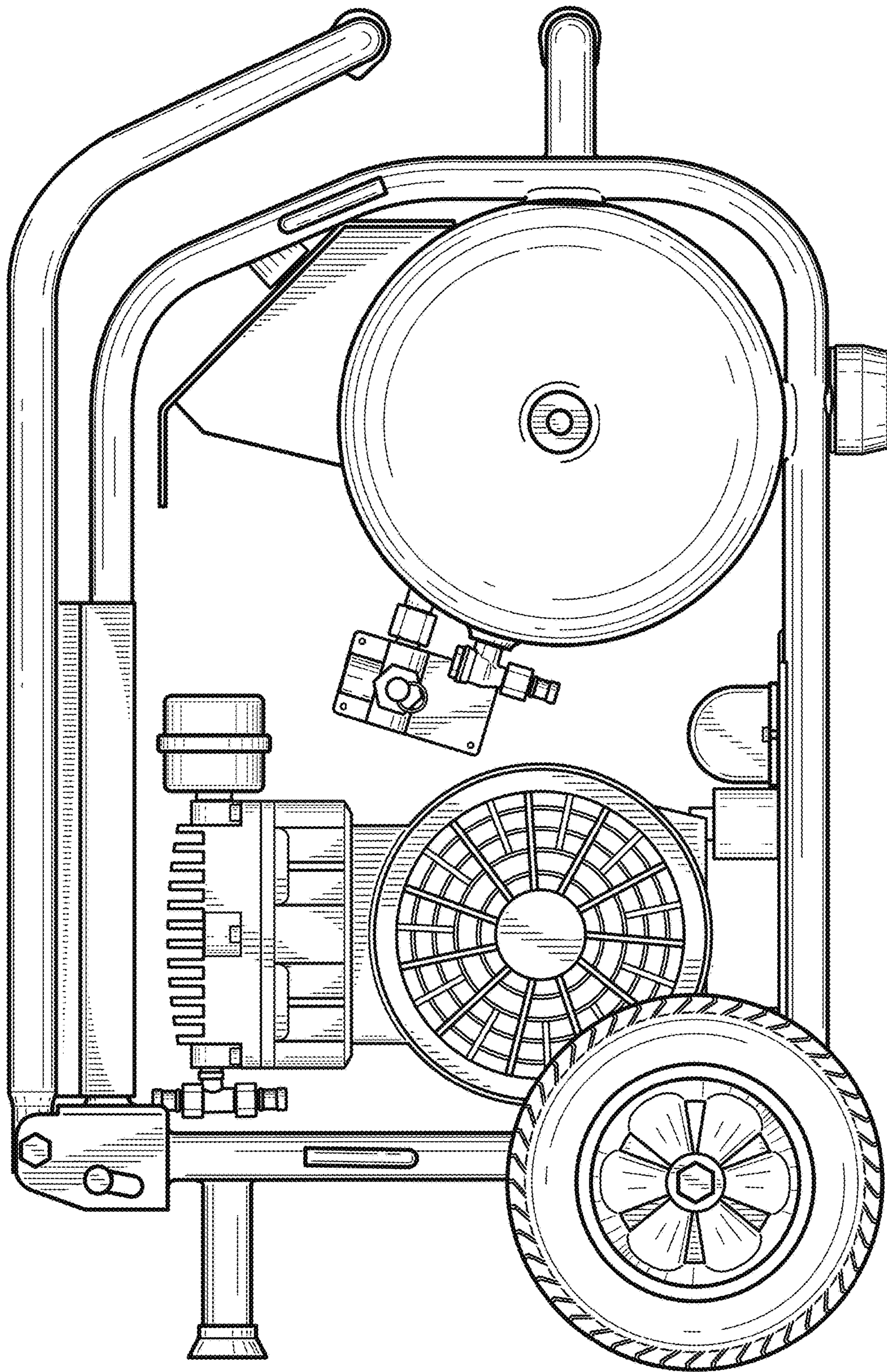


FIG. 3

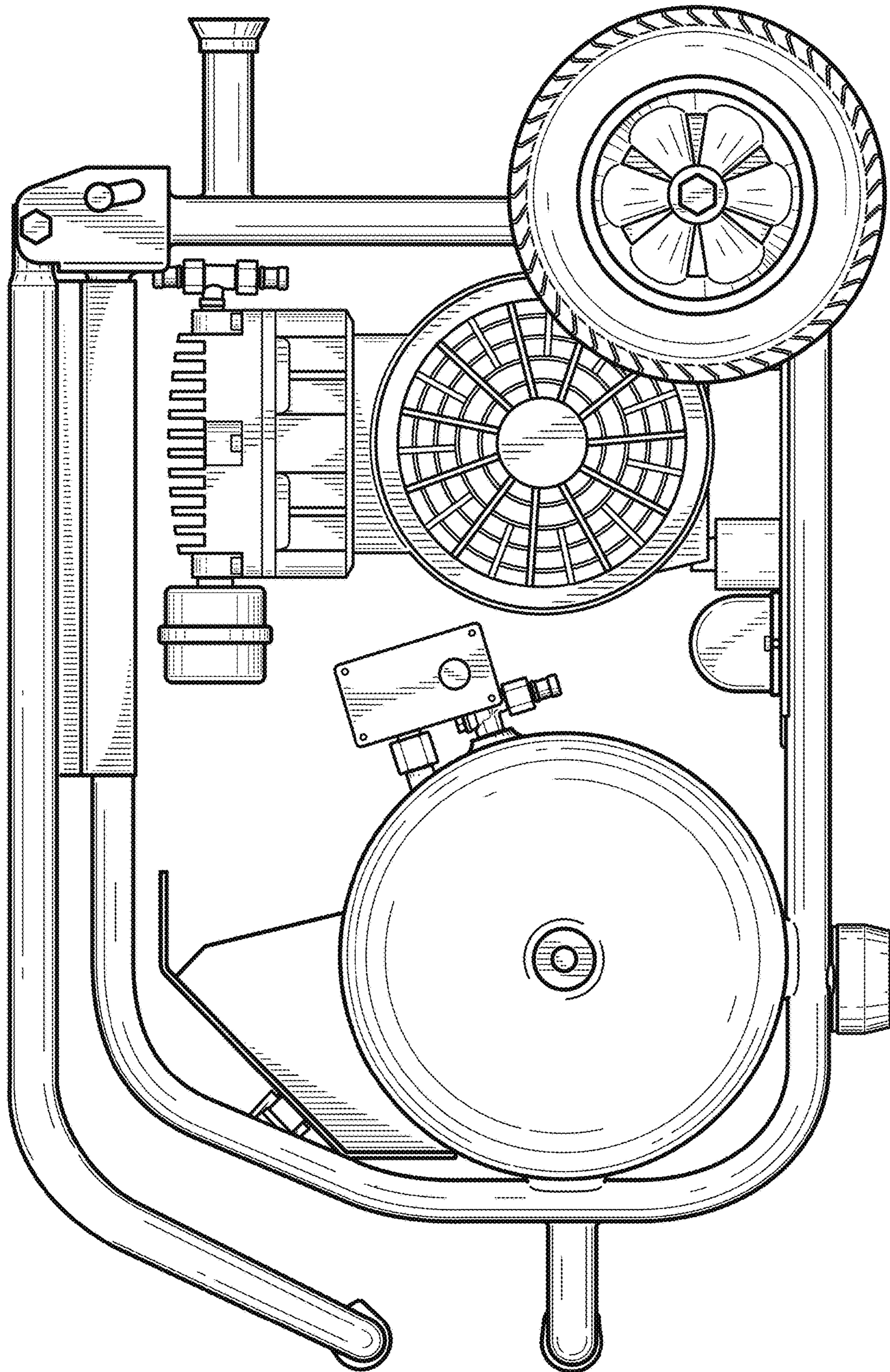


FIG. 4

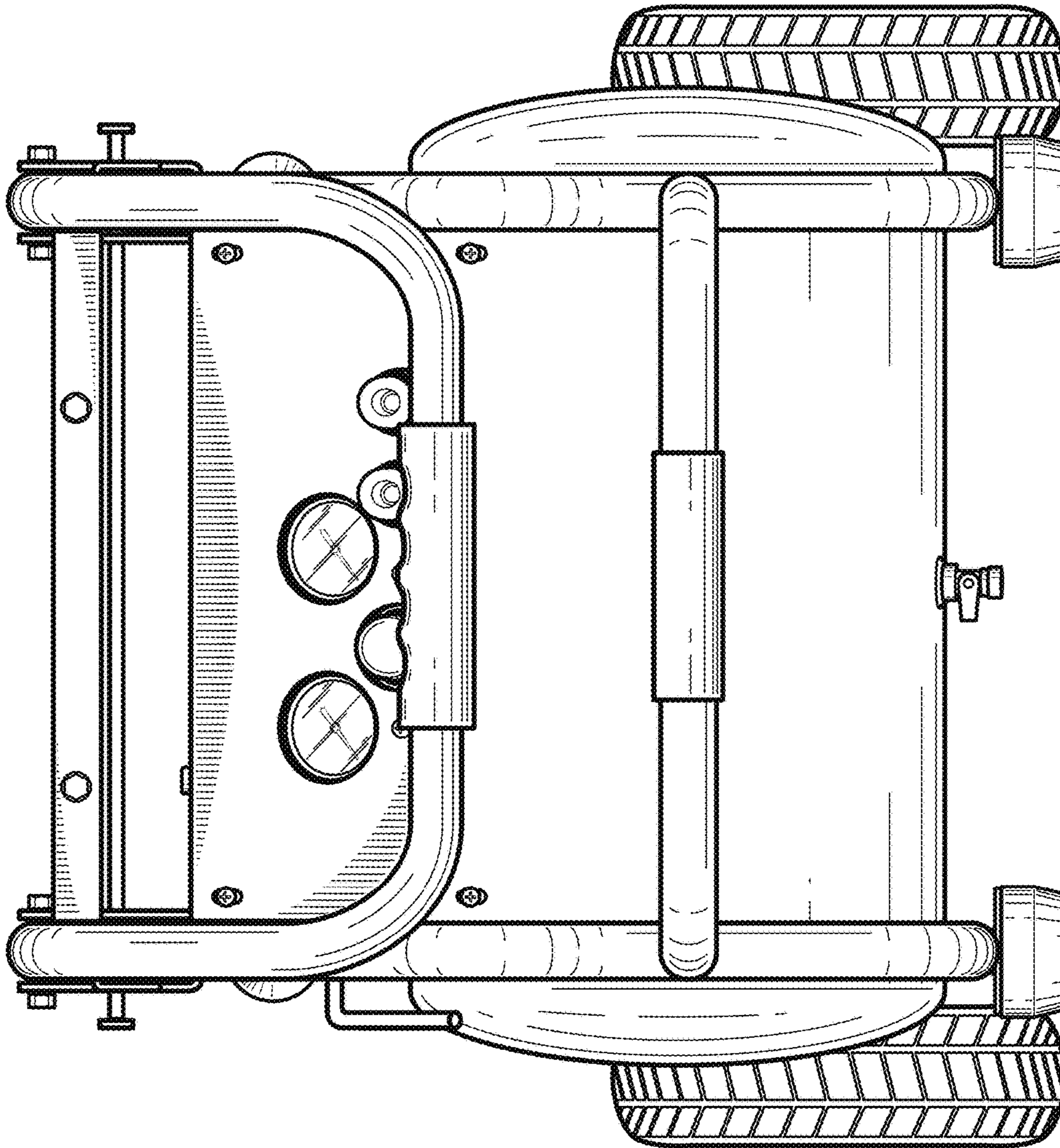


FIG. 5

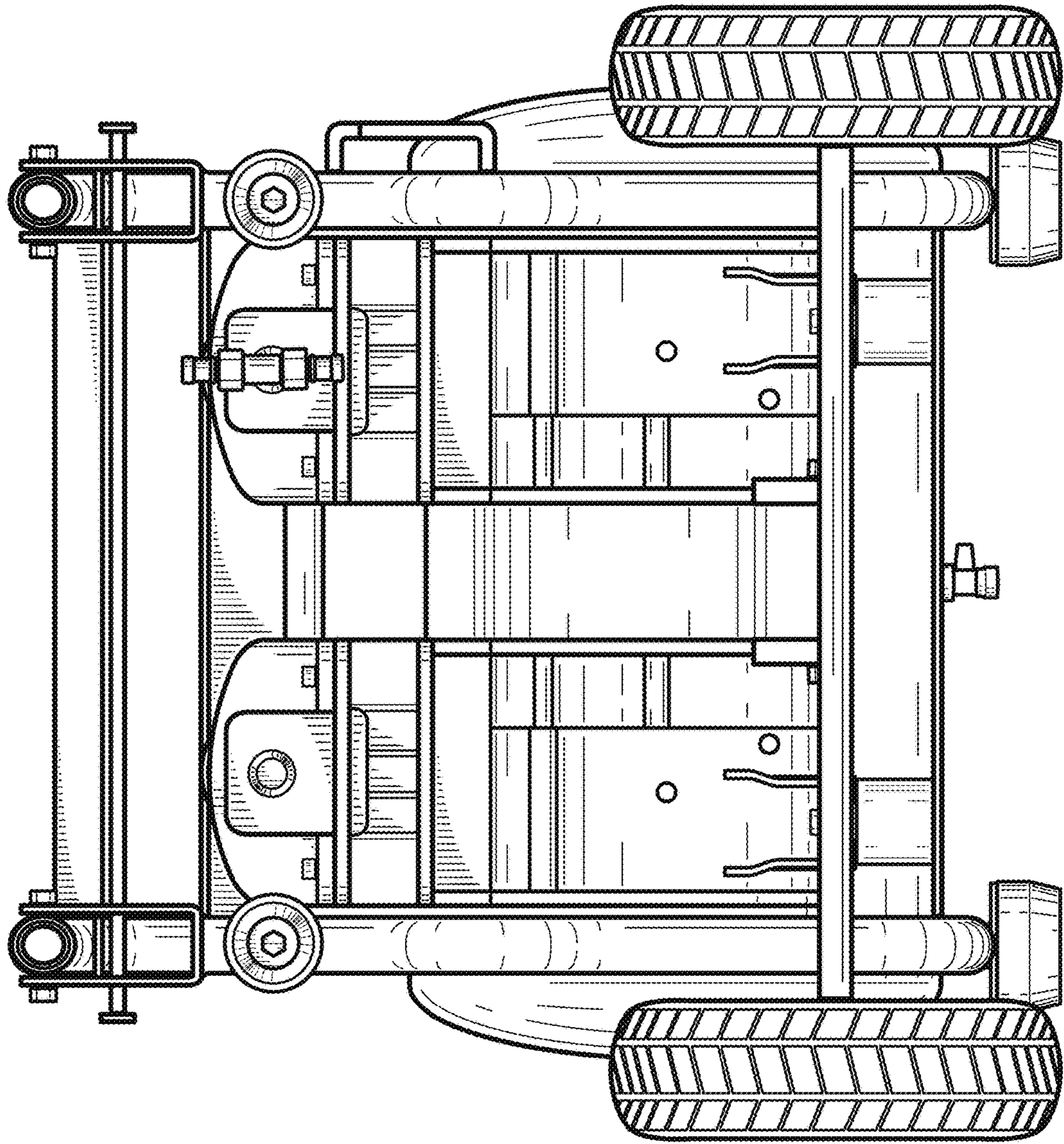


FIG. 6

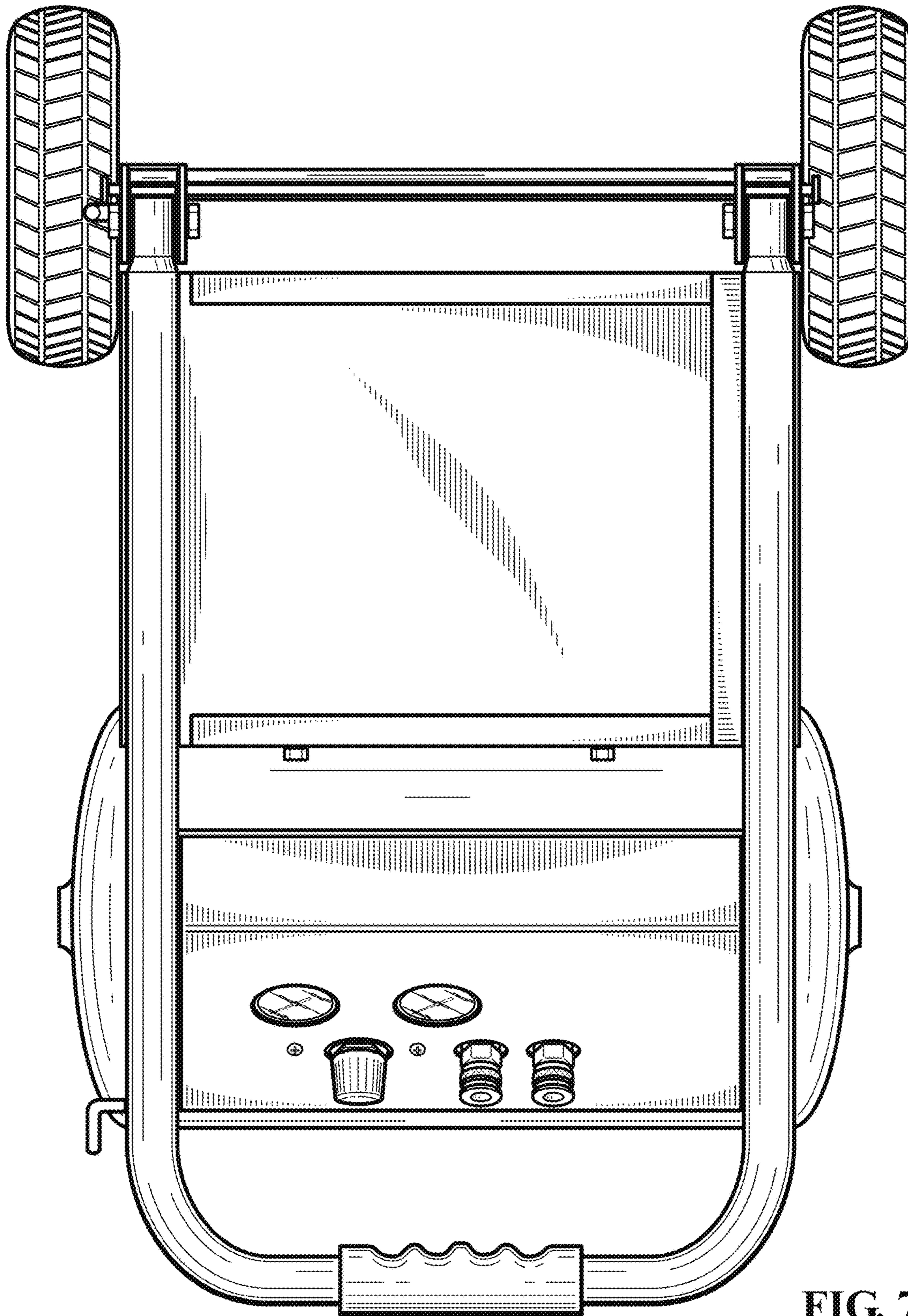


FIG. 7



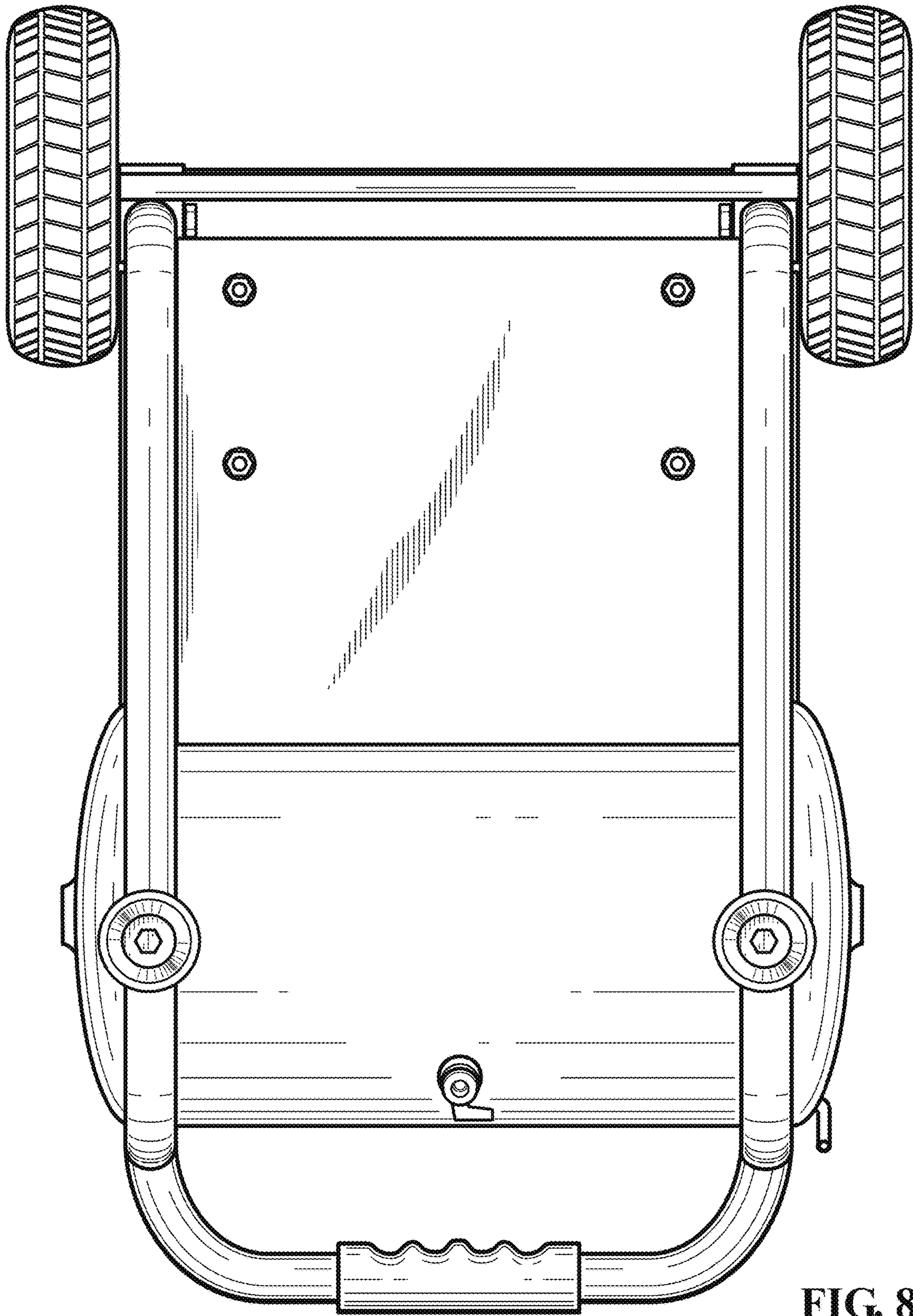


FIG. 8