

US00D806134S

(12) **United States Design Patent**  
**Wood**

(10) **Patent No.:** **US D806,134 S**

(45) **Date of Patent:** **\*\* Dec. 26, 2017**

(54) **COMPRESSOR**

(71) Applicant: **Wood Industries Inc.**, Belmont, MS  
(US)

(72) Inventor: **Jeffery O. Wood**, Belmont, MS (US)

(73) Assignee: **Wood Industries Inc.**, Belmont, MS  
(US)

(\*\*) Term: **15 Years**

(21) Appl. No.: **29/582,902**

(22) Filed: **Oct. 31, 2016**

(51) **LOC (10) Cl.** ..... **15-02**

(52) **U.S. Cl.**  
USPC ..... **D15/9**

(58) **Field of Classification Search**  
USPC ..... D15/7-9; D23/231, 232, 225; 417/60,  
417/235, 265, 321, 355, 358, 363, 359,  
417/410.1, 415-416, 405, 900, 269, 539,  
417/234; 60/408, 412; 184/26-37;  
415/140-147; 123/495, 509; 137/565.34  
CPC ..... F02M 37/04; F02M 37/14; F04B 53/92;  
F04B 1/005

See application file for complete search history.

(56) **References Cited**

U.S. PATENT DOCUMENTS

D444,796 S \* 7/2001 Morgan ..... D15/9  
D499,431 S \* 12/2004 Chen ..... D15/9  
D500,050 S \* 12/2004 Lucchi ..... D15/7  
D500,051 S \* 12/2004 Lucchi ..... D15/9  
D500,052 S \* 12/2004 Lucchi ..... D15/9  
D505,430 S \* 5/2005 Buck ..... D15/9

D515,591 S \* 2/2006 Buck ..... D15/9  
D516,092 S \* 2/2006 Buck ..... D15/9  
D556,219 S \* 11/2007 Buck ..... D15/9  
7,909,584 B2 \* 3/2011 Etter ..... F04B 35/06  
417/234

\* cited by examiner

*Primary Examiner* — Ralf Seifert

(74) *Attorney, Agent, or Firm* — Waller Lansden Dortch  
& Davis, LLP; Matthew C. Cox

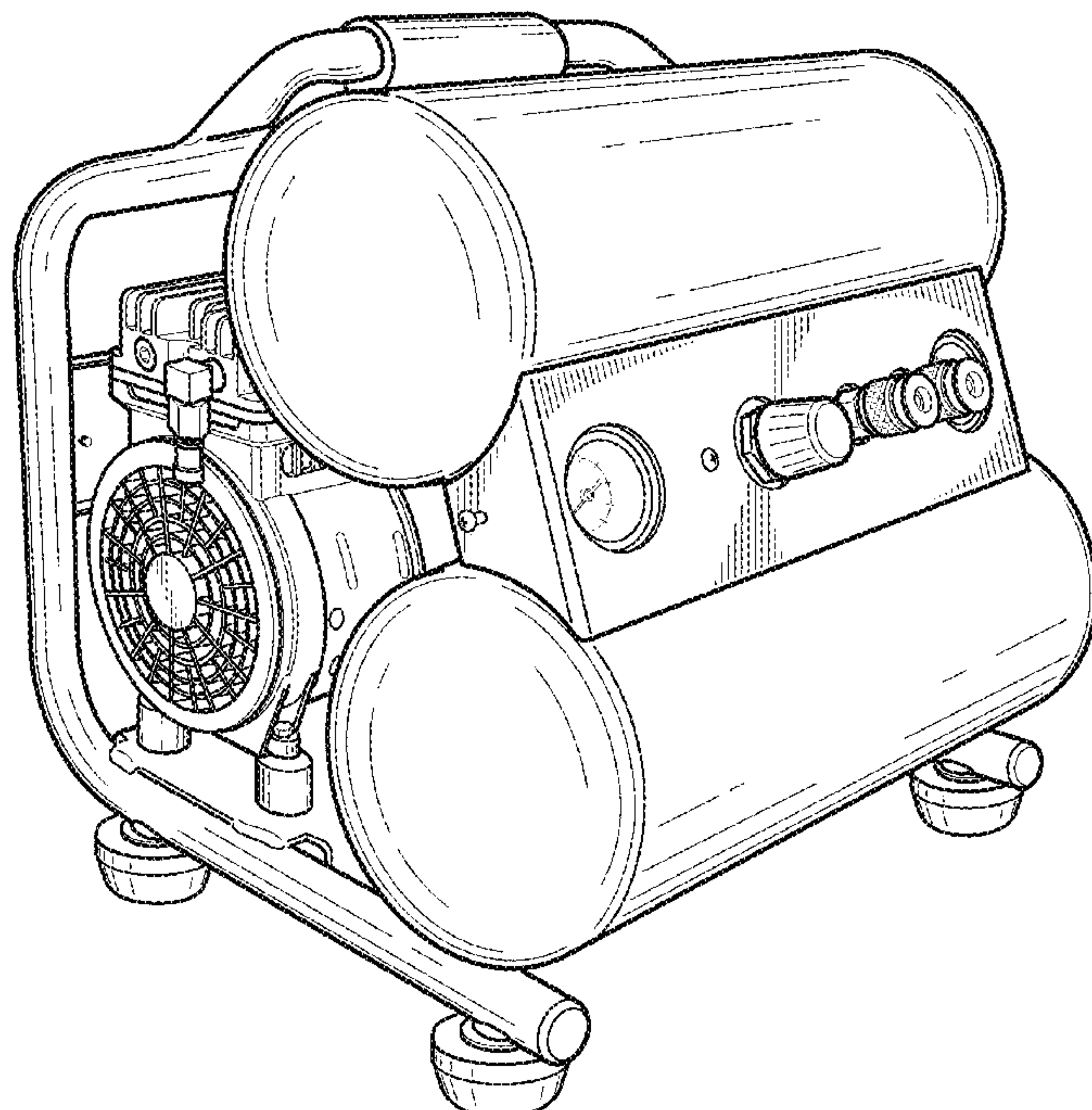
(57) **CLAIM**

What is claimed is the ornamental design for a “compressor,” as shown and described.

**DESCRIPTION**

FIG. 1 is a front perspective view of the “compressor” of Applicant’s invention.  
FIG. 2 is a back perspective view of the “compressor” of Applicant’s invention.  
FIG. 3 is a right side elevation view of the “compressor” of Applicant’s invention.  
FIG. 4 is a left side elevation view of the “compressor” of Applicant’s invention.  
FIG. 5 is a front elevation view of the “compressor” of Applicant’s invention.  
FIG. 6 is a back elevation view of the “compressor” of Applicant’s invention.  
FIG. 7 is a top view of the “compressor” of Applicant’s invention; and,  
FIG. 8 is a bottom view of the “compressor” of Applicant’s invention.

**1 Claim, 8 Drawing Sheets**



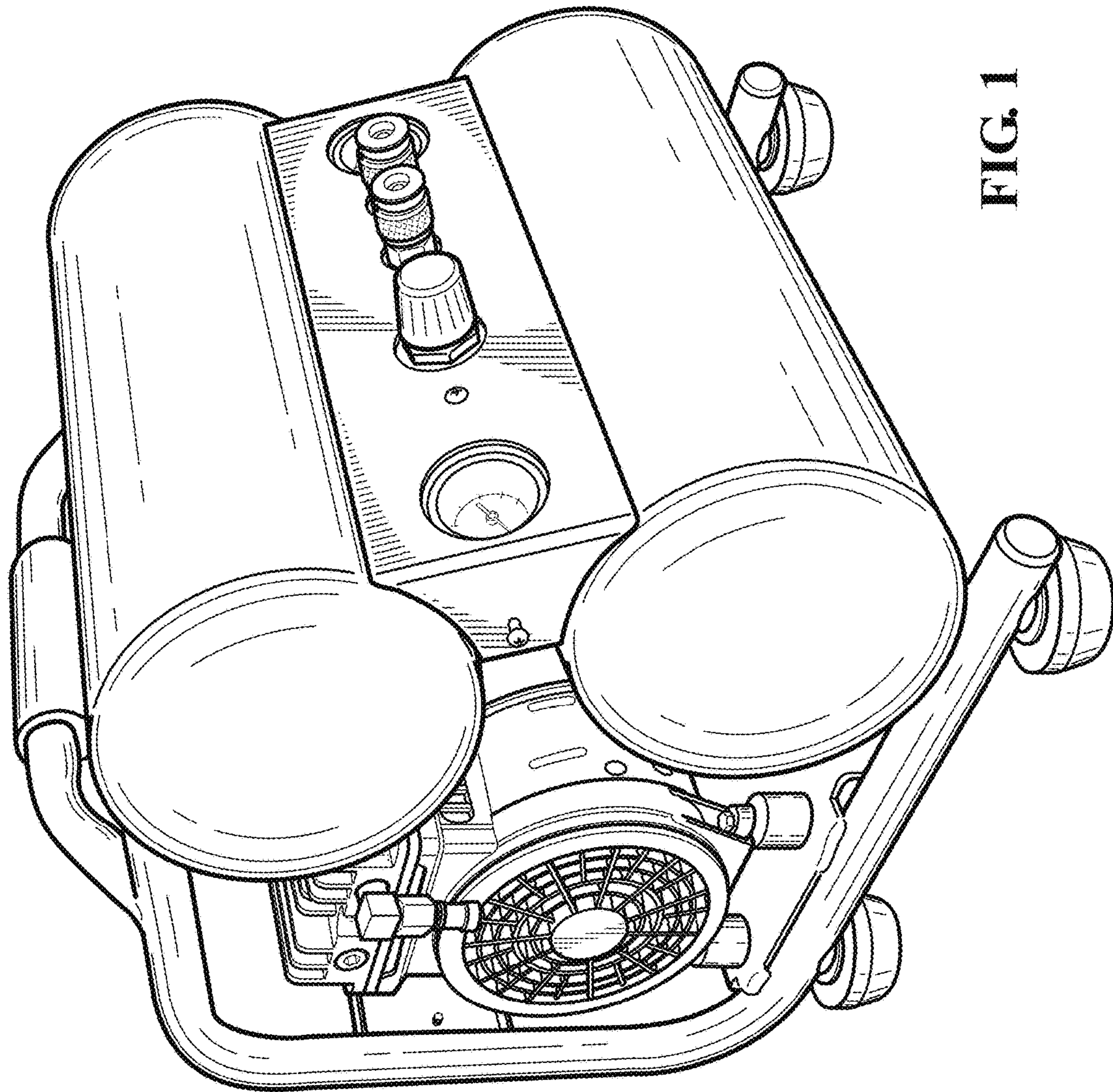


FIG. 1



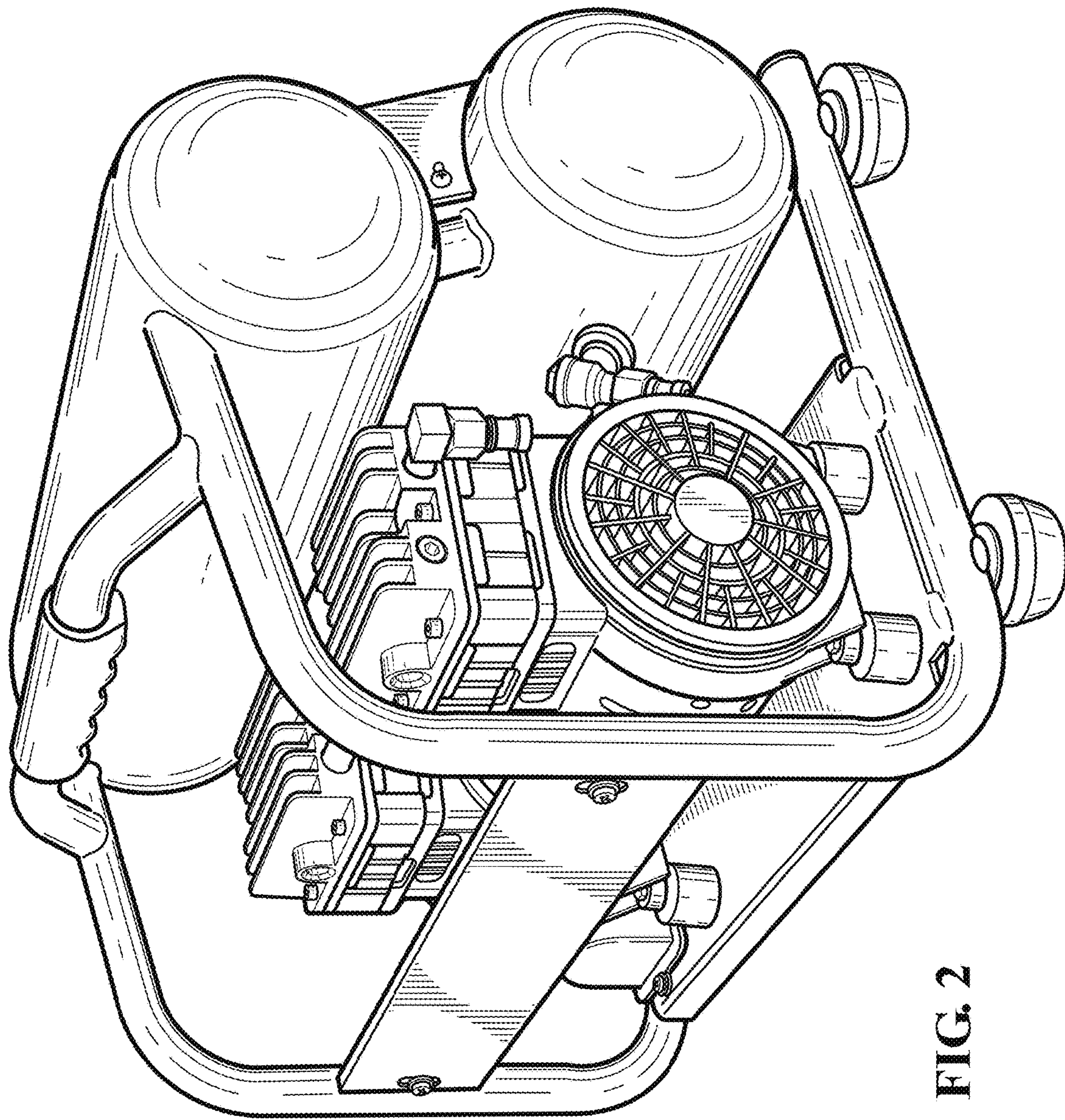


FIG. 2

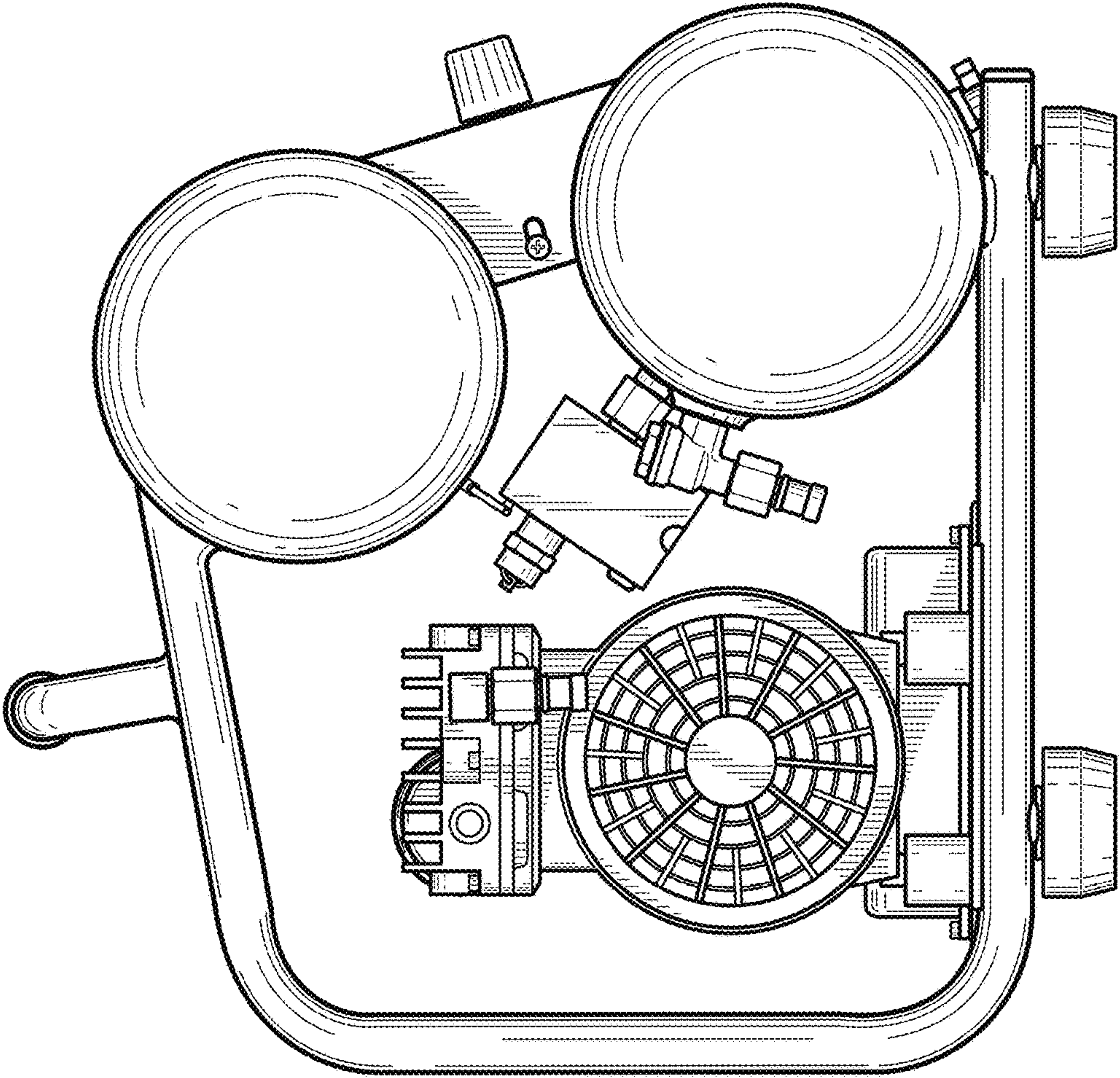


FIG. 3



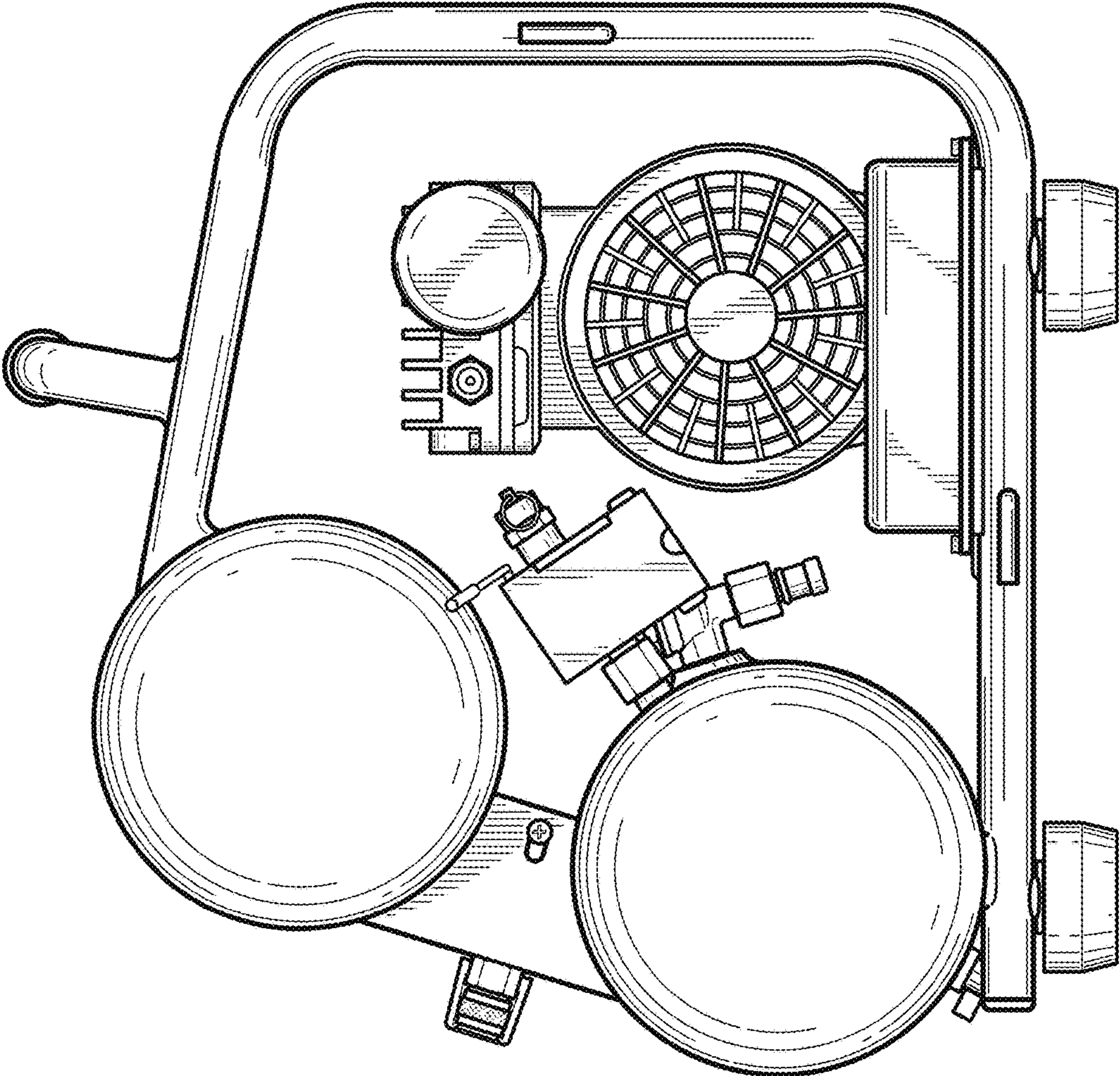


FIG. 4

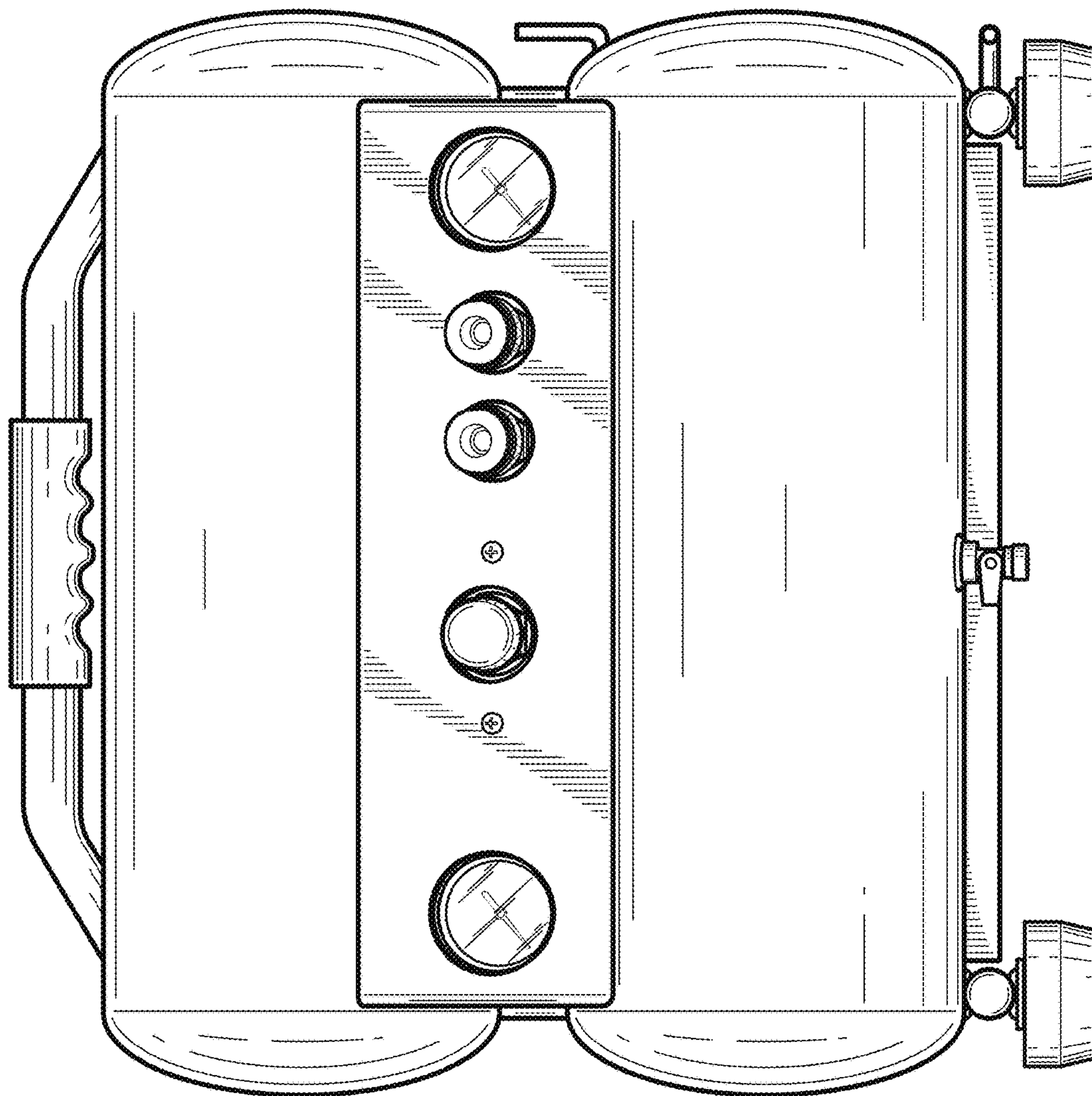


FIG. 5

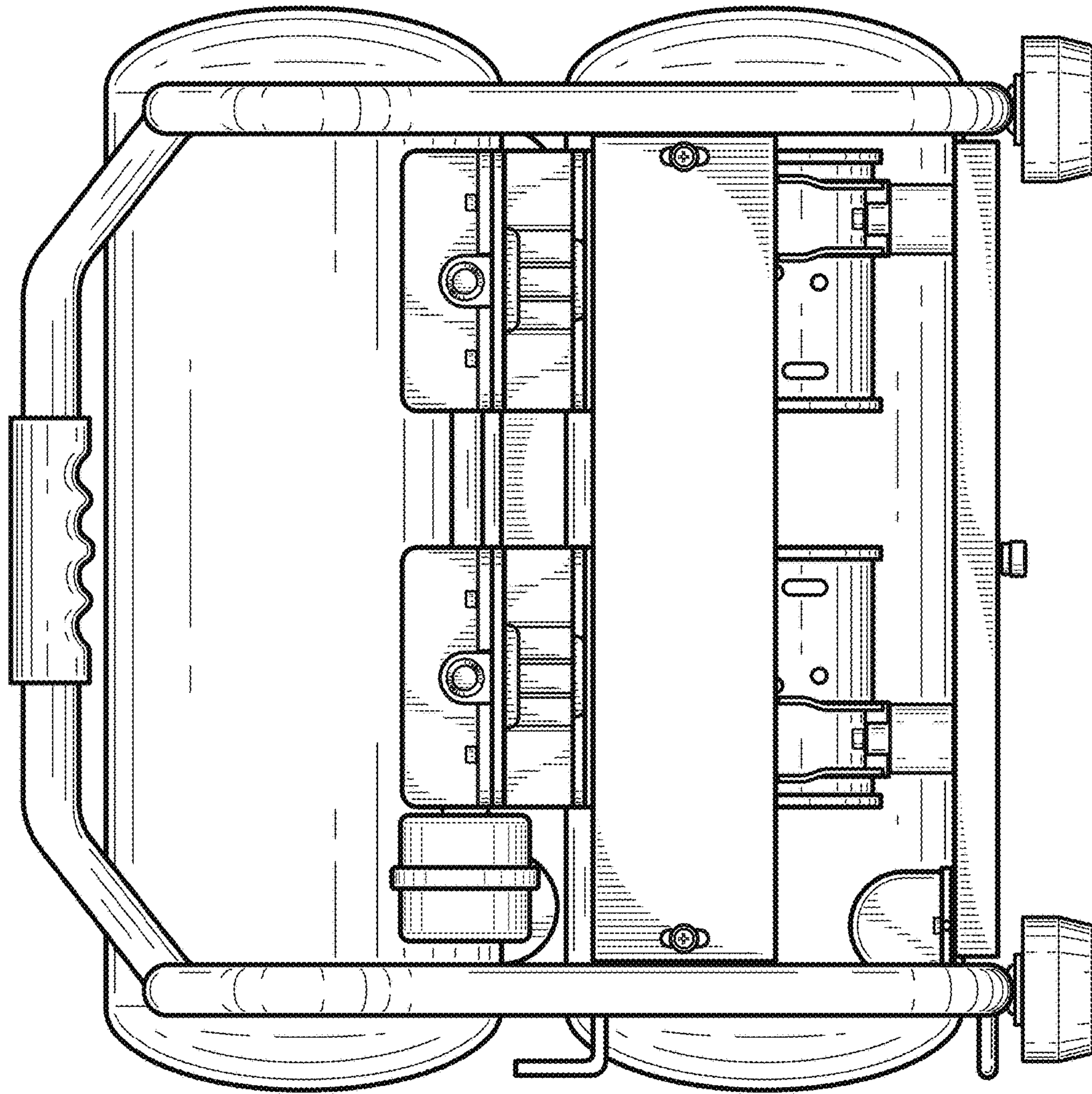


FIG. 6



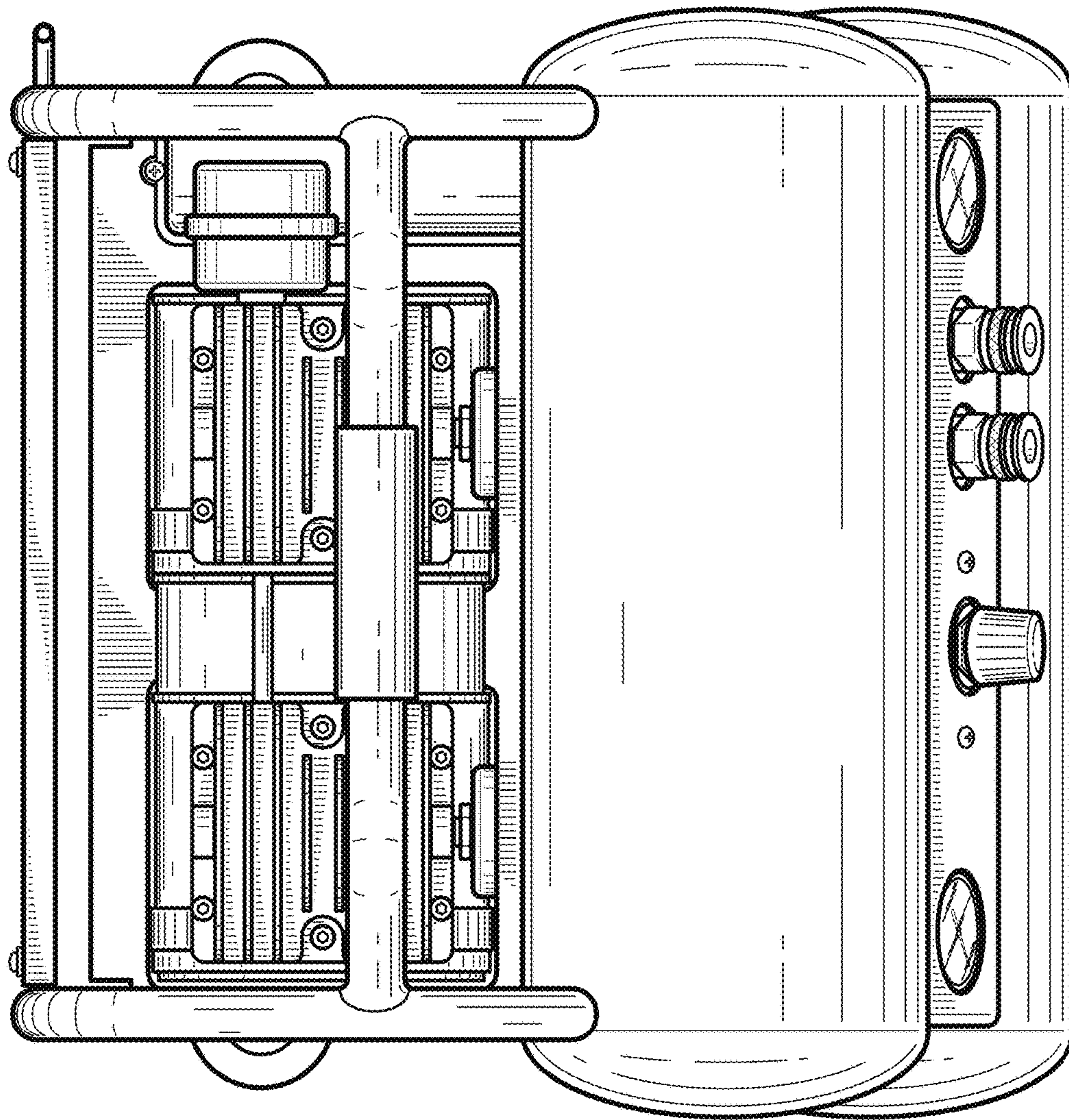


FIG. 7



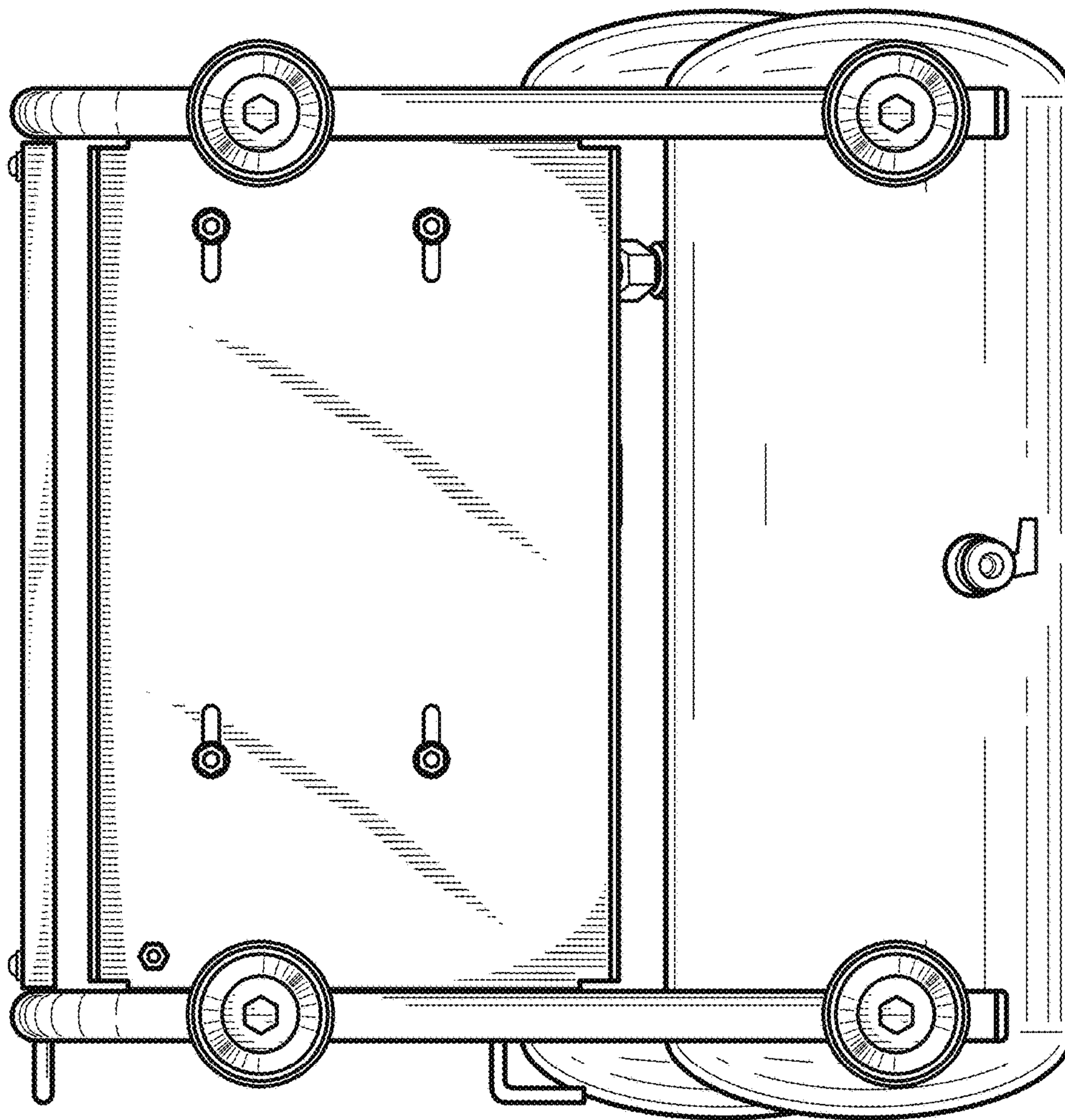


FIG. 8