



US00D806133S

(12) **United States Design Patent**  
**Costle et al.**

(10) **Patent No.:** **US D806,133 S**

(45) **Date of Patent:** **\*\* Dec. 26, 2017**

(54) **DIGITAL INFLATOR**

(71) Applicant: **Illinois Tool Works Inc.**, Glenview, IL  
(US)

(72) Inventors: **Carey C. Costle**, Tucson, AZ (US);  
**Brendan P. Kelso**, Atascadero, CA  
(US)

(73) Assignee: **Illinois Tool Works Inc.**, Glenview, IL  
(US)

(\*\*) Term: **15 Years**

(21) Appl. No.: **29/553,421**

(22) Filed: **Feb. 1, 2016**

(51) **LOC (10) Cl.** ..... **15-02**

(52) **U.S. Cl.**  
USPC ..... **D15/9**

(58) **Field of Classification Search**  
USPC ..... D15/7-9; D23/231, 232, 225; 417/60,  
417/235, 265, 321, 355, 358, 363, 359,  
417/410.1, 415-416, 405, 900; 60/408,  
60/412; 184/26-37; 415/140-147;  
123/495, 509; 137/565.34  
CPC ..... F02M 37/04; F02M 37/14; F04B 53/92;  
F04B 1/005  
See application file for complete search history.

(56) **References Cited**

**U.S. PATENT DOCUMENTS**

D340,458 S	*	10/1993	Wang	.....	D15/7
D407,413 S	*	3/1999	Wang	.....	D15/9
D409,206 S	*	5/1999	Wang	.....	D15/9
D434,423 S	*	11/2000	Wang	.....	D15/9

D512,727 S	*	12/2005	Hussaini	.....	D15/9
D528,131 S	*	9/2006	Wu	.....	D15/9
D533,880 S	*	12/2006	Chen	.....	D15/7
D540,825 S	*	4/2007	Wang	.....	D15/9
D620,500 S	*	7/2010	Brandt	.....	D15/9
D678,339 S	*	3/2013	Hughes	.....	D15/7
D707,719 S	*	6/2014	Kamijyo	.....	D15/7
D774,102 S	*	12/2016	Ellman	.....	D15/9

\* cited by examiner

*Primary Examiner* — Ralf Seifert

(74) *Attorney, Agent, or Firm* — Pauley Erickson & Kottis

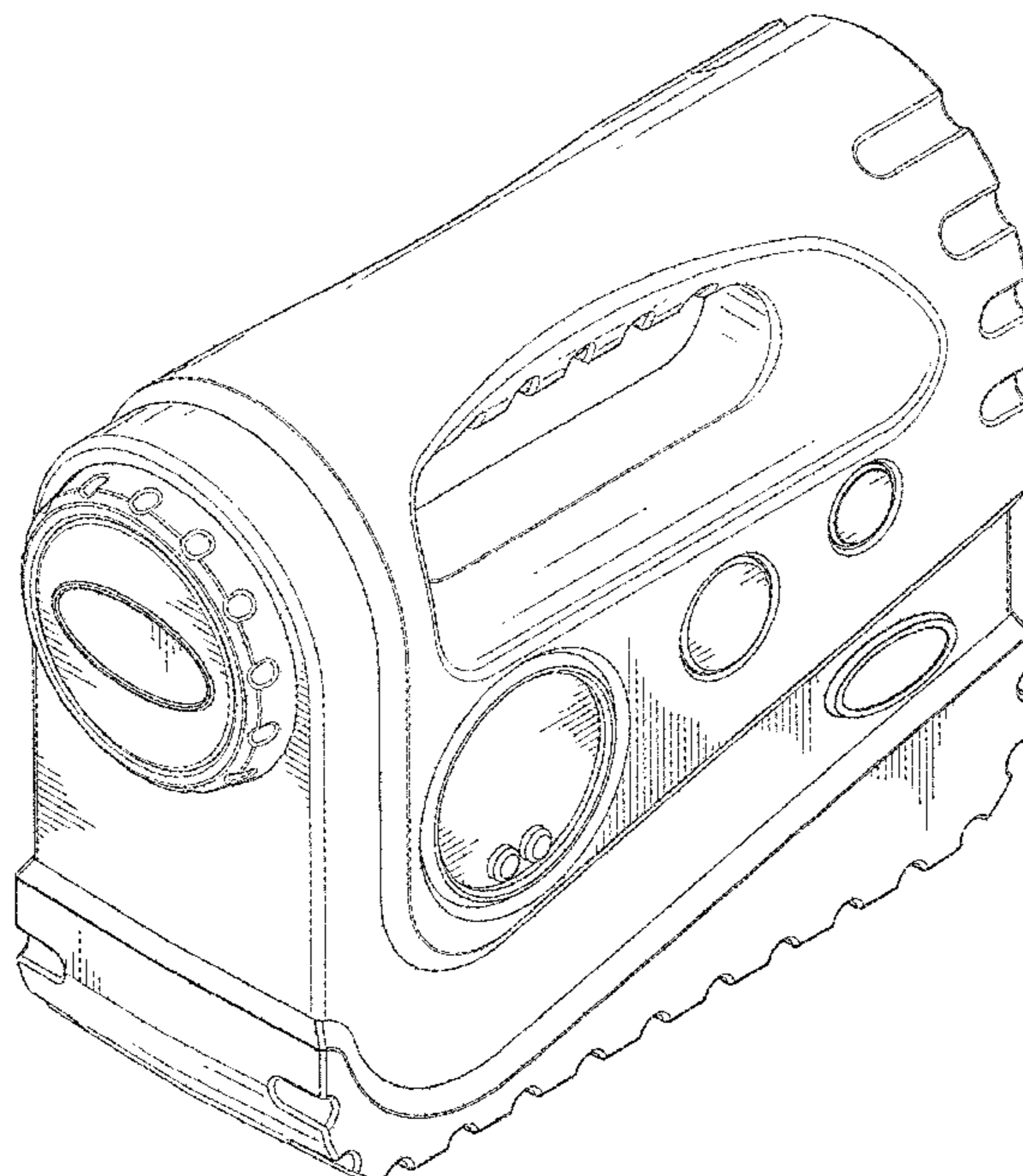
(57) **CLAIM**

The ornamental design for a digital inflator, as shown and described.

**DESCRIPTION**

FIG. 1 is a perspective view of the digital inflator, according to one embodiment of this invention;  
FIG. 2 is a front view of the digital inflator shown in FIG. 1;  
FIG. 3 is a rear view of the digital inflator shown in FIG. 1;  
FIG. 4 is a side view of the digital inflator shown in FIG. 1;  
FIG. 5 is a side view, opposite the side view shown in FIG. 4, of the digital inflator shown in FIG. 1;  
FIG. 6 is a top view of the digital inflator shown in FIG. 1; and,  
FIG. 7 is a bottom view of digital inflator shown in FIG. 1.  
The broken lines are included for the purpose of illustrating portions of the digital inflator that form no part of the claimed design.

**1 Claim, 7 Drawing Sheets**



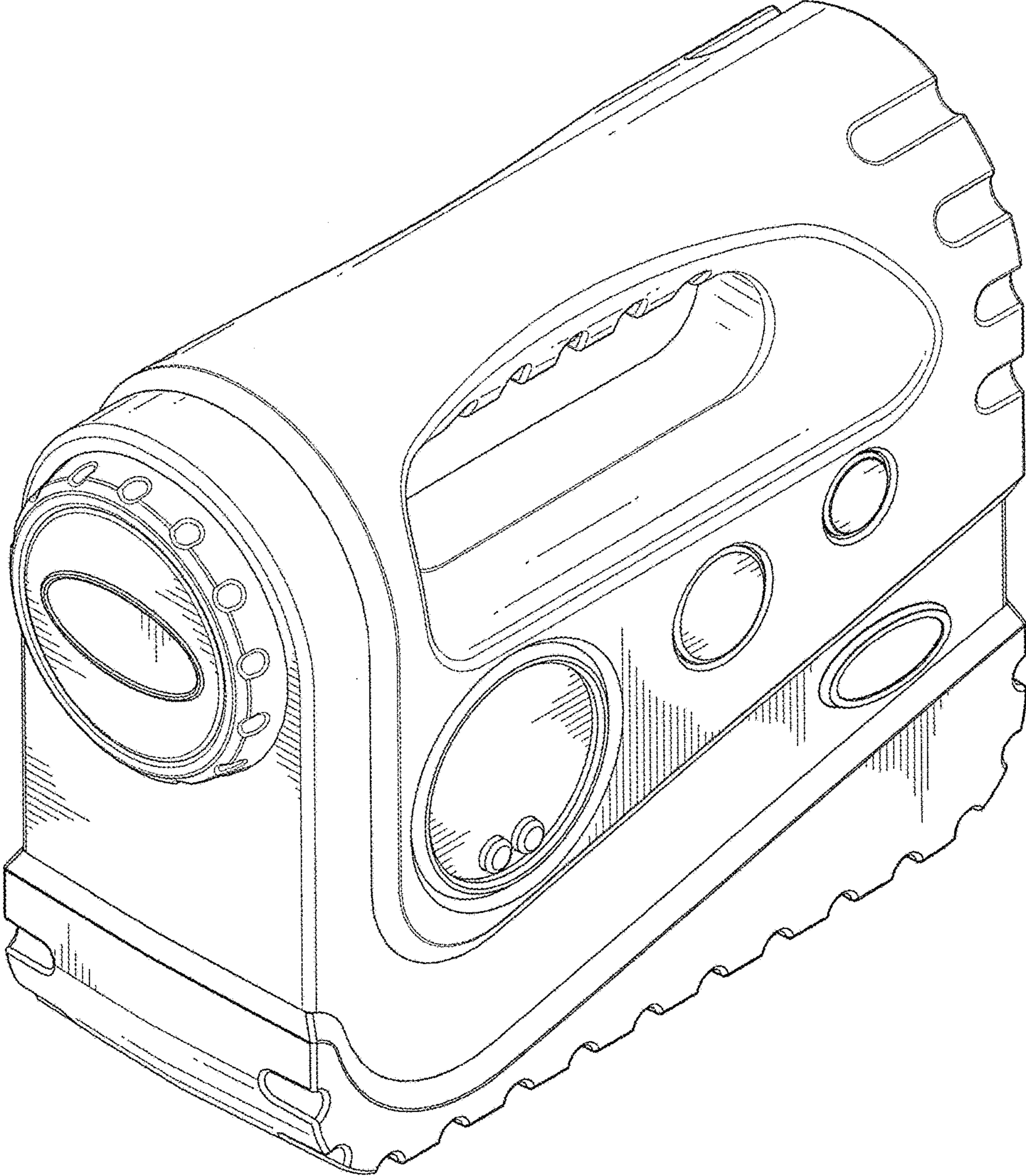


FIG. 1

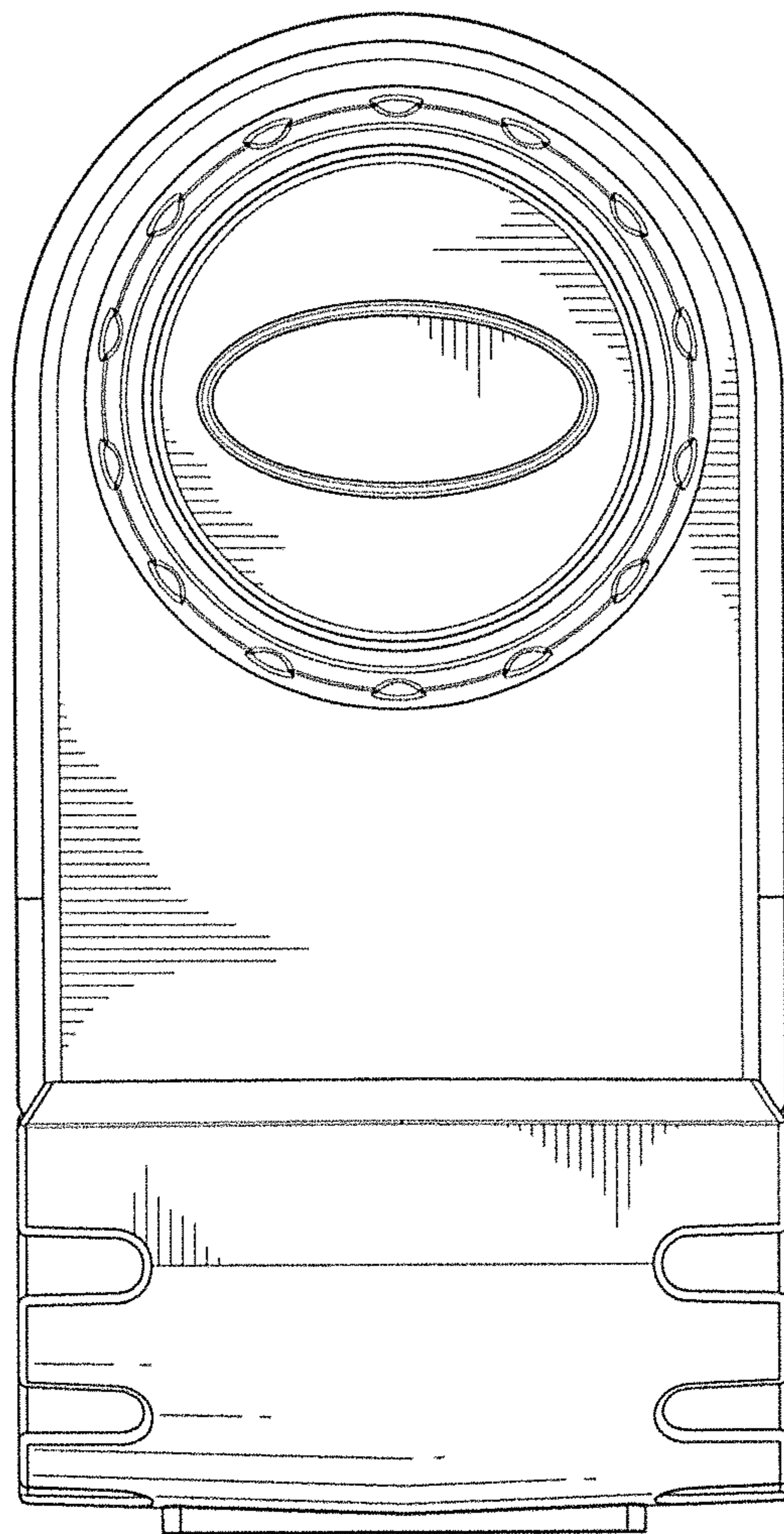


FIG. 2

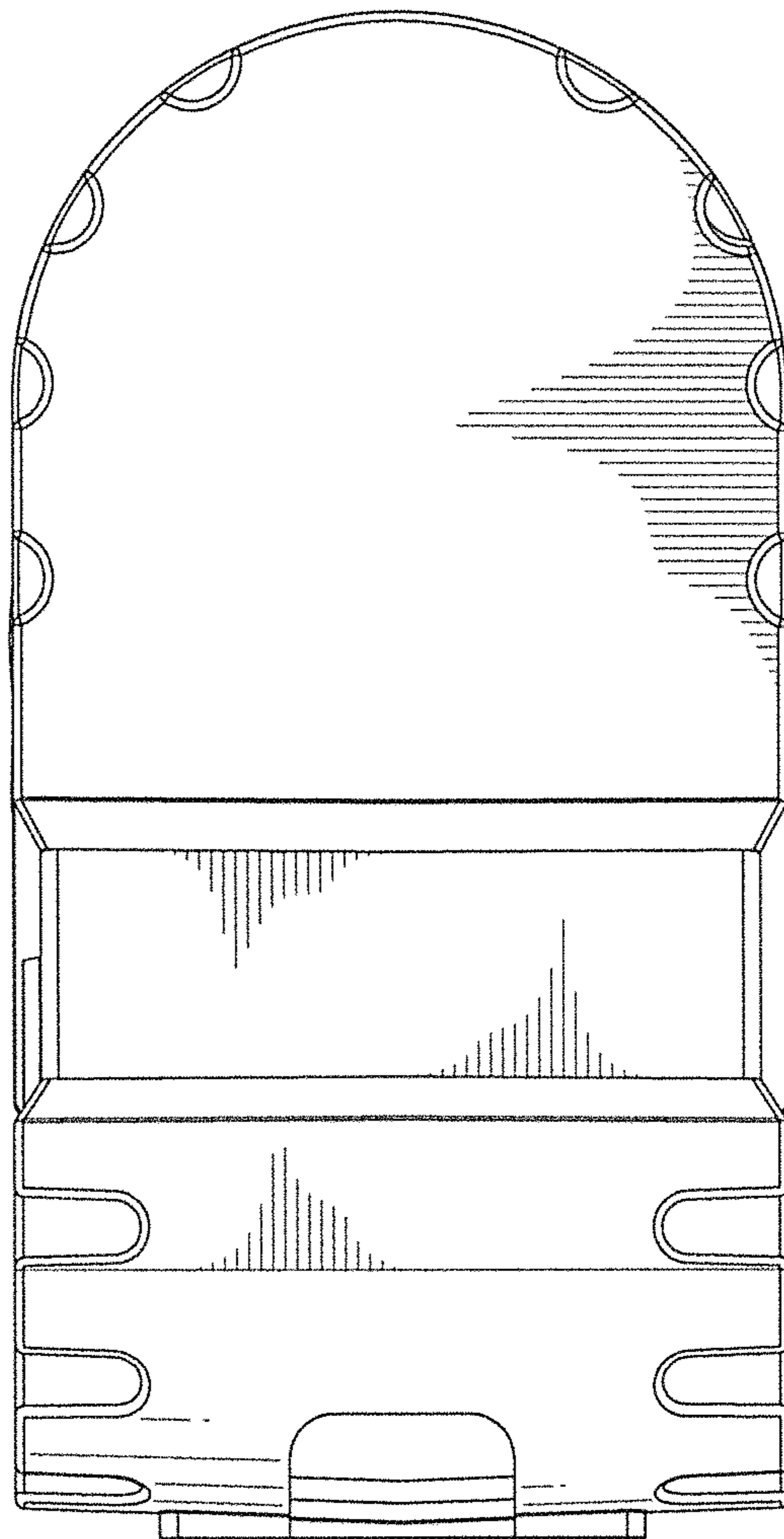


FIG.3

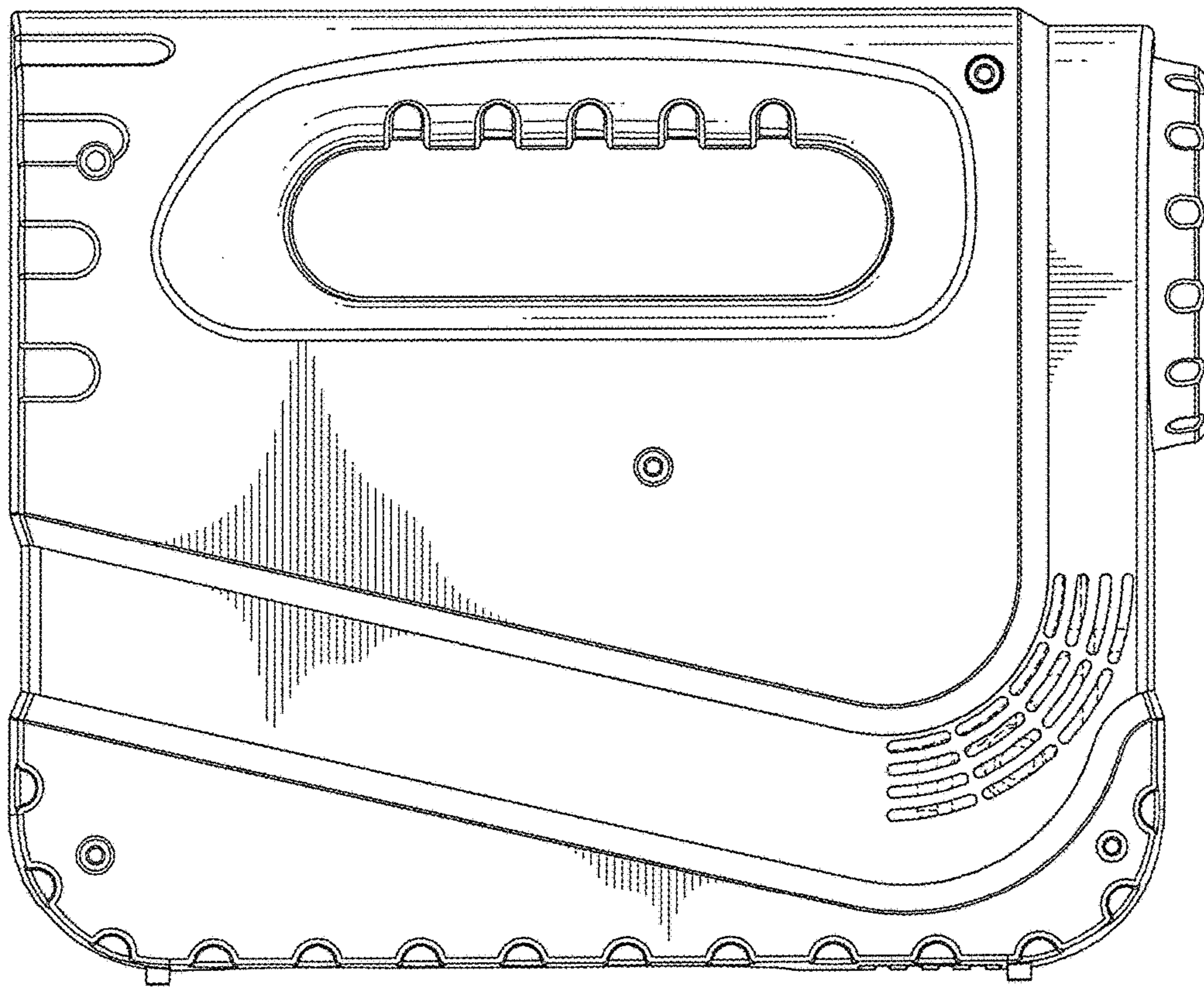


FIG.4

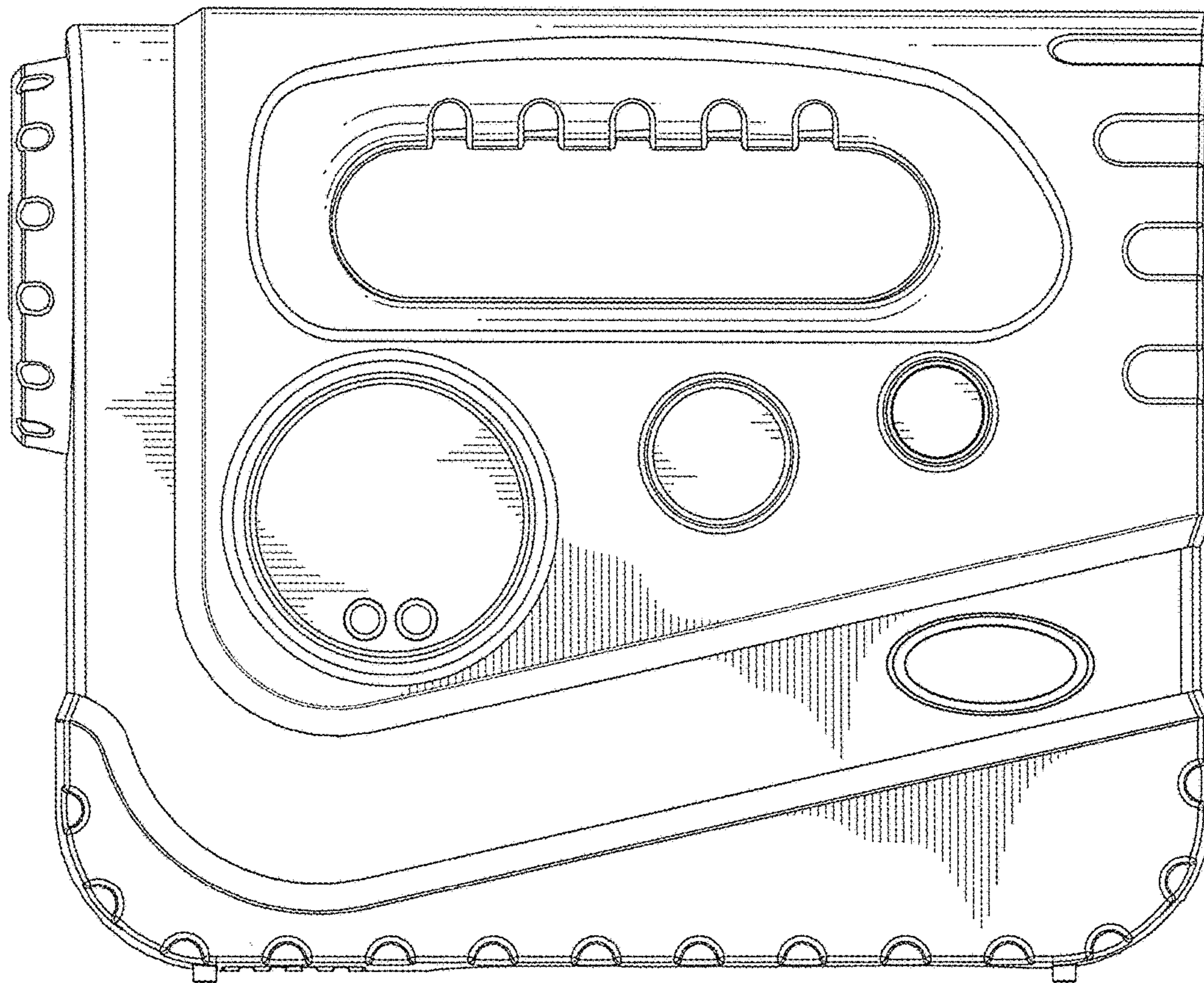


FIG.5

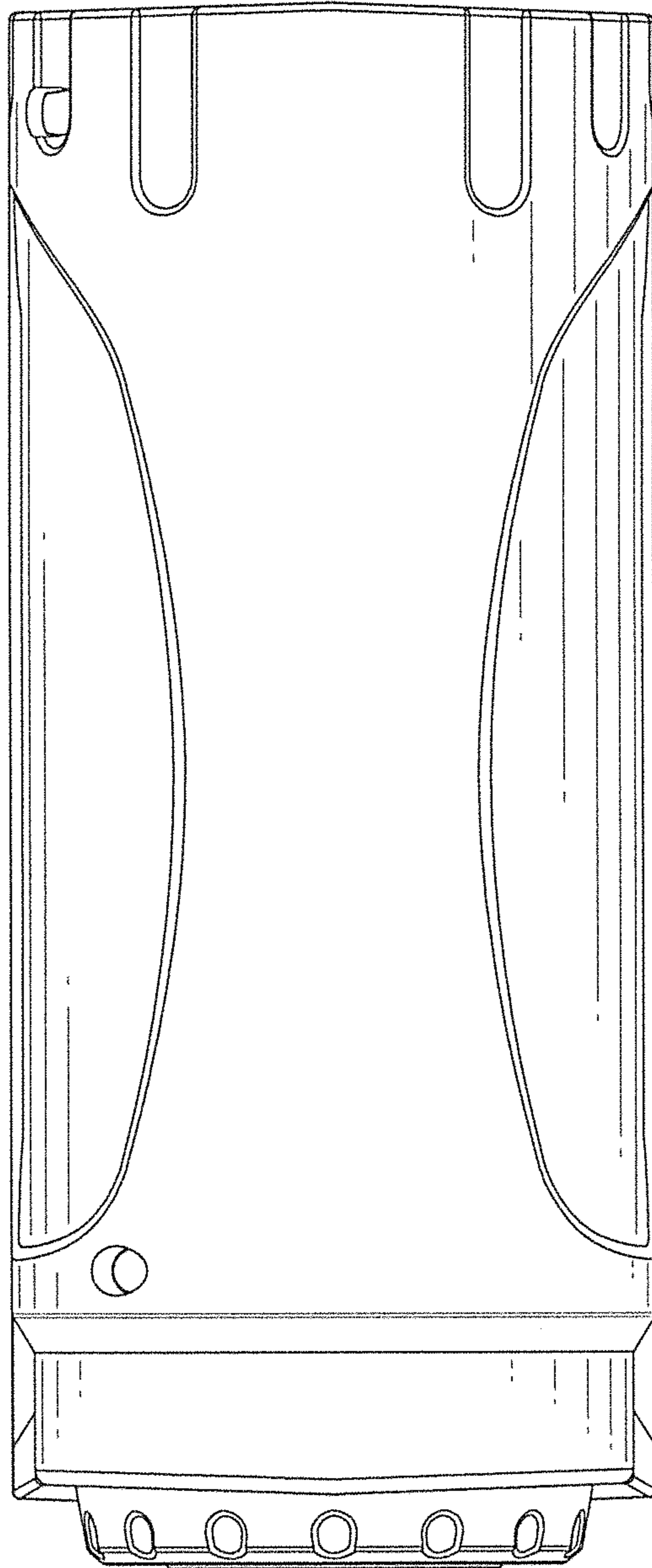


FIG. 6

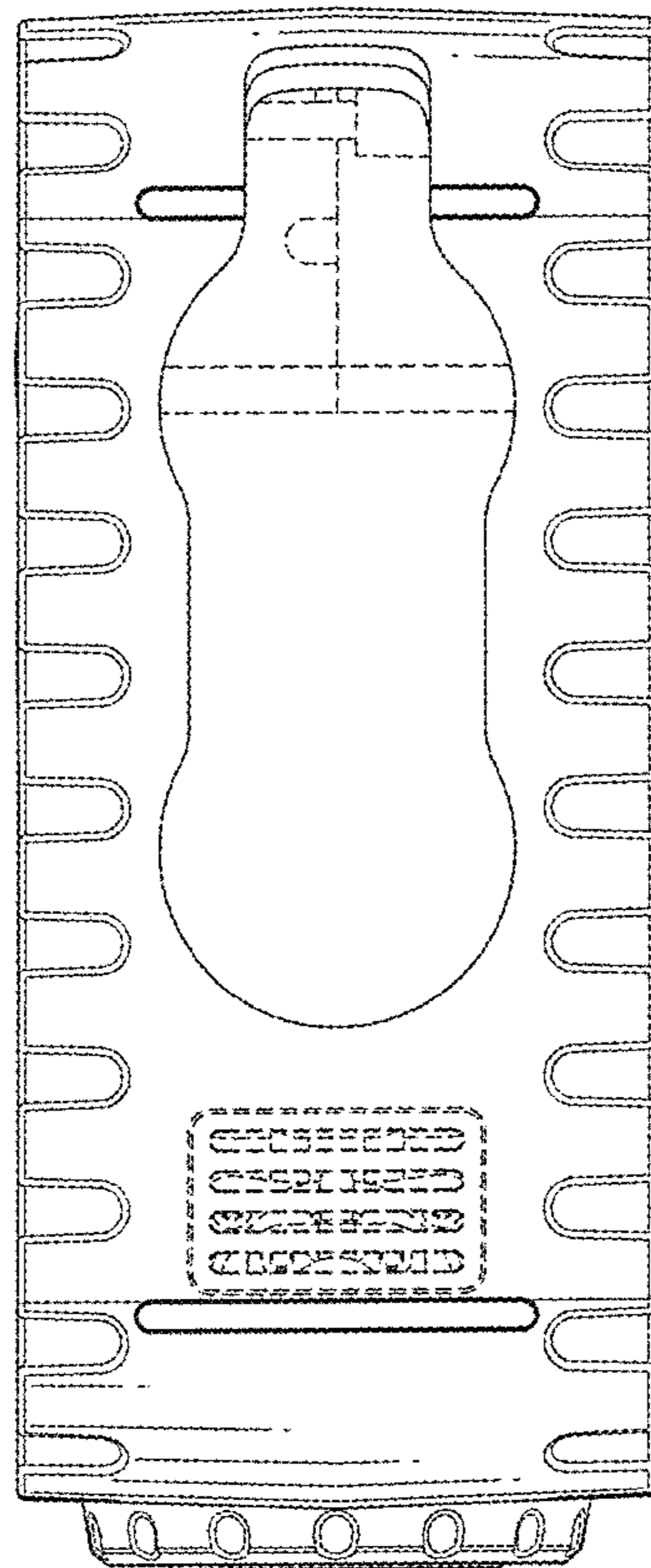


FIG. 7