



US00D806132S

(12) **United States Design Patent** (10) **Patent No.:** **US D806,132 S**  
**Bever et al.** (45) **Date of Patent:** **\*\* \*Dec. 26, 2017**

(54) **SPRING SLIDER**

(71) Applicant: **Eaton Corporation**, Cleveland, OH (US)

(72) Inventors: **Burton Robert Bever**, Edgerton, OH (US); **Alexander William Jessee**, Fort Wayne, IN (US); **Brian William Franke**, Hamilton, IN (US)

(73) Assignee: **EATON CORPORATION**, Cleveland, OH (US)

(\*) Notice: This patent is subject to a terminal disclaimer.

(\*\*) Term: **15 Years**

(21) Appl. No.: **29/544,995**

(22) Filed: **Nov. 9, 2015**

(51) **LOC (10) Cl.** ..... **15-01**

(52) **U.S. Cl.**  
USPC ..... **D15/5**

(58) **Field of Classification Search**  
USPC .... D15/5, 9, 7, 148, 149; D12/180, 223, 51; D8/105, 107, 349, 354, 356, 394, 395, D8/396; D6/580; D9/456, 434  
CPC ..... F16H 48/06; F16H 57/02; F16H 48/00; F16H 48/08; B25B 13/00; B25B 13/46; B25B 13/48

See application file for complete search history.

(56) **References Cited**

**U.S. PATENT DOCUMENTS**

2,149,887 A	3/1939	Hickman
2,807,459 A	9/1957	Copeland
4,188,805 A	2/1980	Fall et al.
4,188,806 A	2/1980	Fall et al.
4,347,717 A	9/1982	Lamarche
4,530,673 A	7/1985	Lamarche

4,702,721 A	10/1987	Lamarche	
4,722,715 A	2/1988	Billet et al.	
5,052,664 A	10/1991	Leshner	
5,105,681 A	4/1992	Naudin et al.	
5,160,007 A	11/1992	Reik et al.	
5,218,884 A	6/1993	Rohrle	
5,273,372 A	12/1993	Friedmann et al.	
5,307,710 A	5/1994	Feldhaus et al.	
5,769,195 A	6/1998	Fukushima	
6,106,400 A	8/2000	Mizukami	
6,113,496 A *	9/2000	Oyama	..... F16F 15/13142
			192/213.2
6,273,227 B1 *	8/2001	Ohkubo	..... F16H 45/02
			192/205
6,290,042 B1	9/2001	Breier	
6,334,816 B1	1/2002	Wack et al.	
7,297,064 B2	11/2007	Jackel et al.	
7,955,178 B2	6/2011	Mu et al.	
8,021,234 B2	9/2011	Oono et al.	
8,062,138 B2	11/2011	Boelling et al.	
8,568,243 B2	10/2013	Yamamoto et al.	
8,758,148 B2	6/2014	Boelling	
8,789,670 B2	7/2014	Antchak et al.	

(Continued)

*Primary Examiner* — T. Chase Nelson

*Assistant Examiner* — Ania Aman

(74) *Attorney, Agent, or Firm* — Mei & Mark LLP

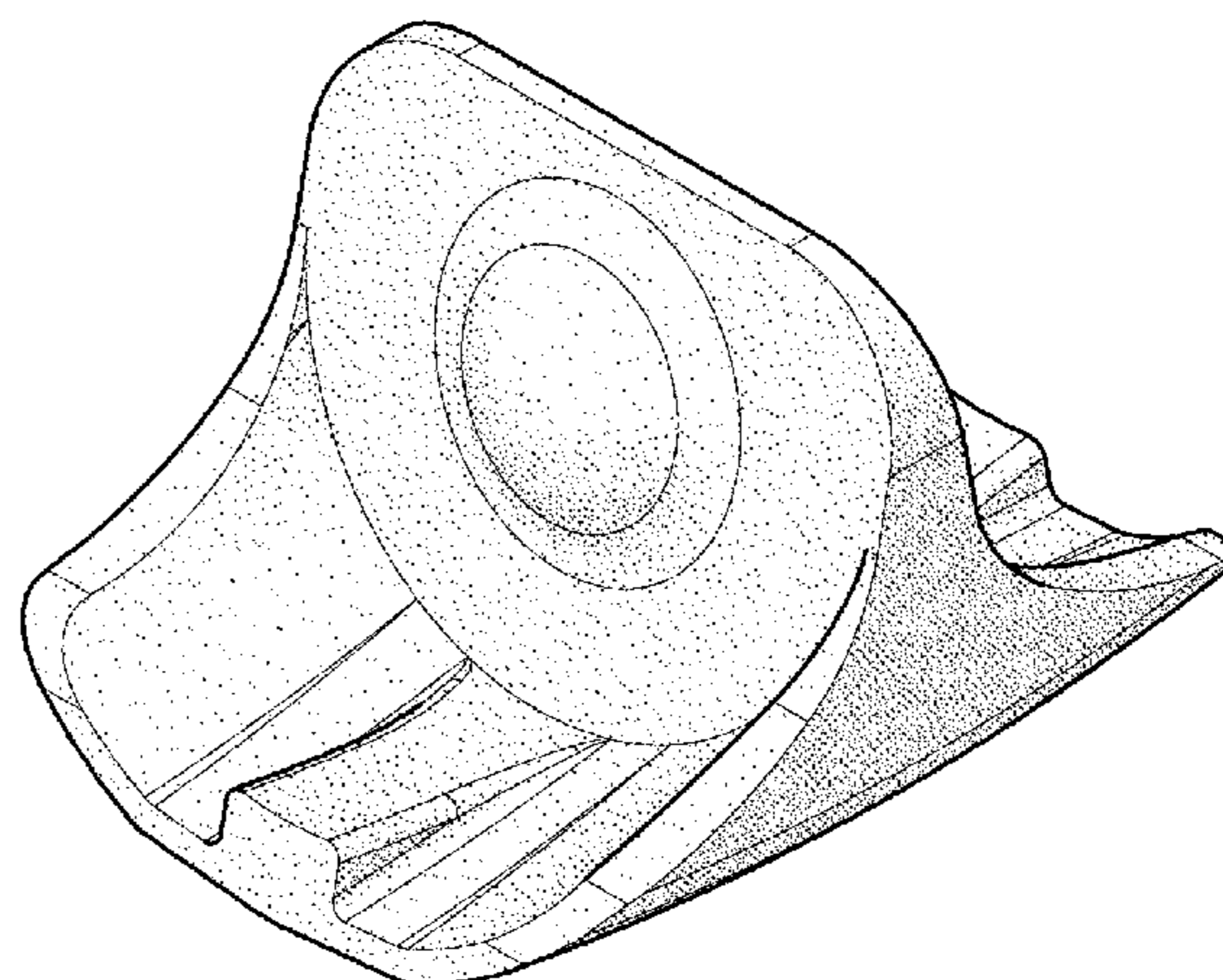
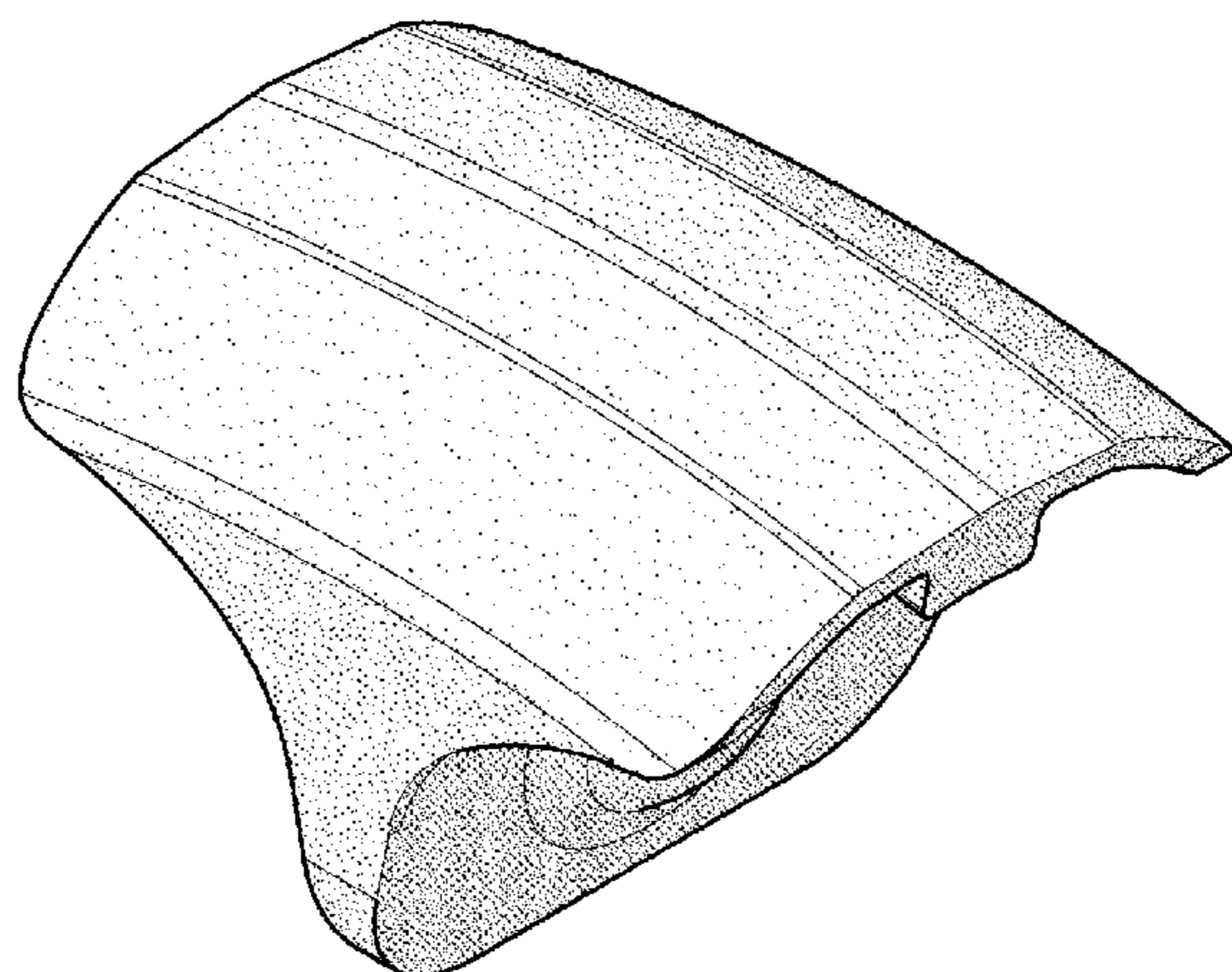
(57) **CLAIM**

The ornamental design for a spring slider, as shown and described.

**DESCRIPTION**

FIG. 1 is a first perspective view of the spring slider.  
FIG. 2 is a second perspective view of the spring slider.  
FIG. 3 is a top view of the spring slider.  
FIG. 4 is a bottom view of the spring slider.  
FIG. 5 is a left view of the spring slider.  
FIG. 6 is a right view of the spring slider.  
FIG. 7 is a front view of the spring slider; and,  
FIG. 8 is a rear view of the spring slider.

**1 Claim, 3 Drawing Sheets**



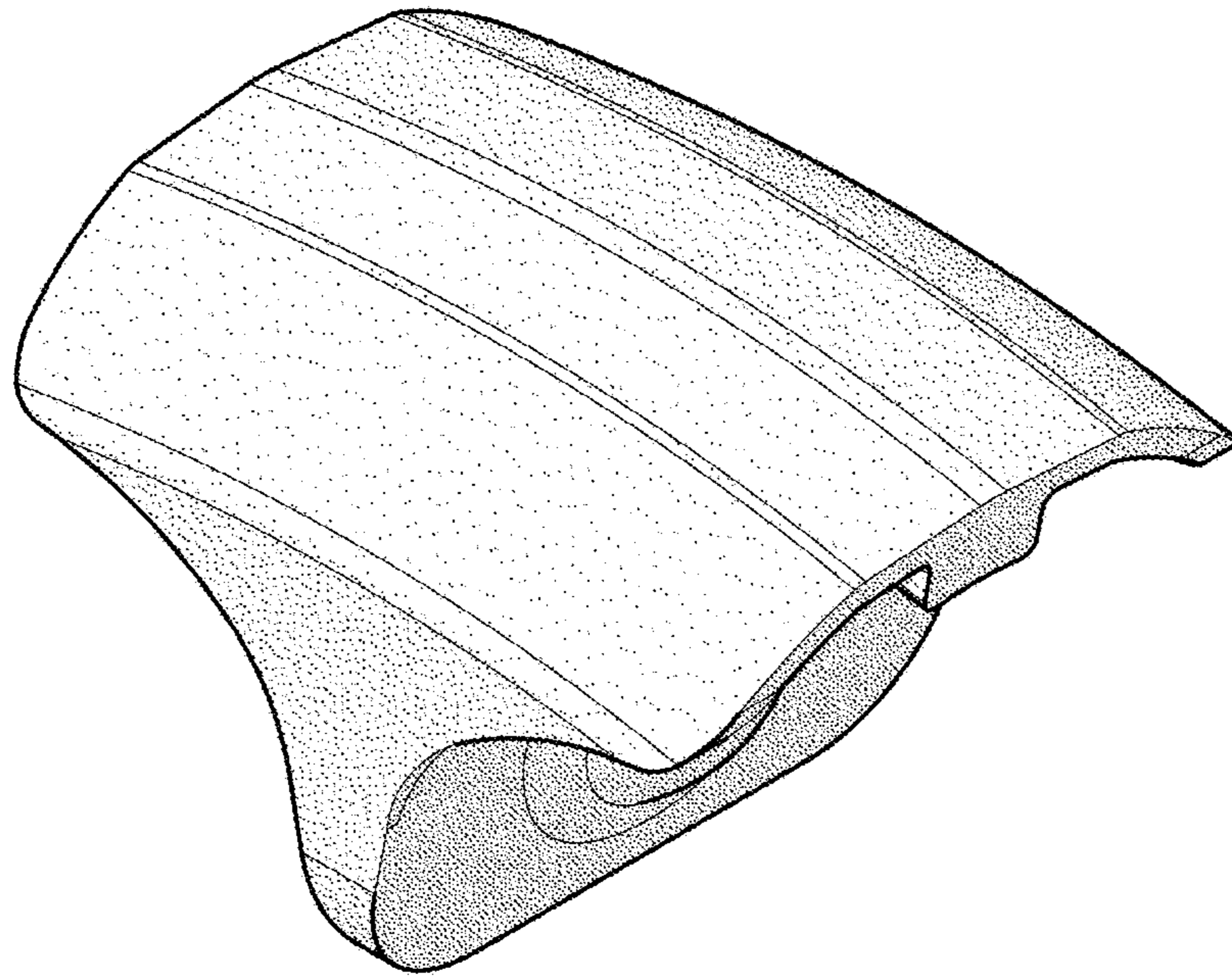
(56)

**References Cited**

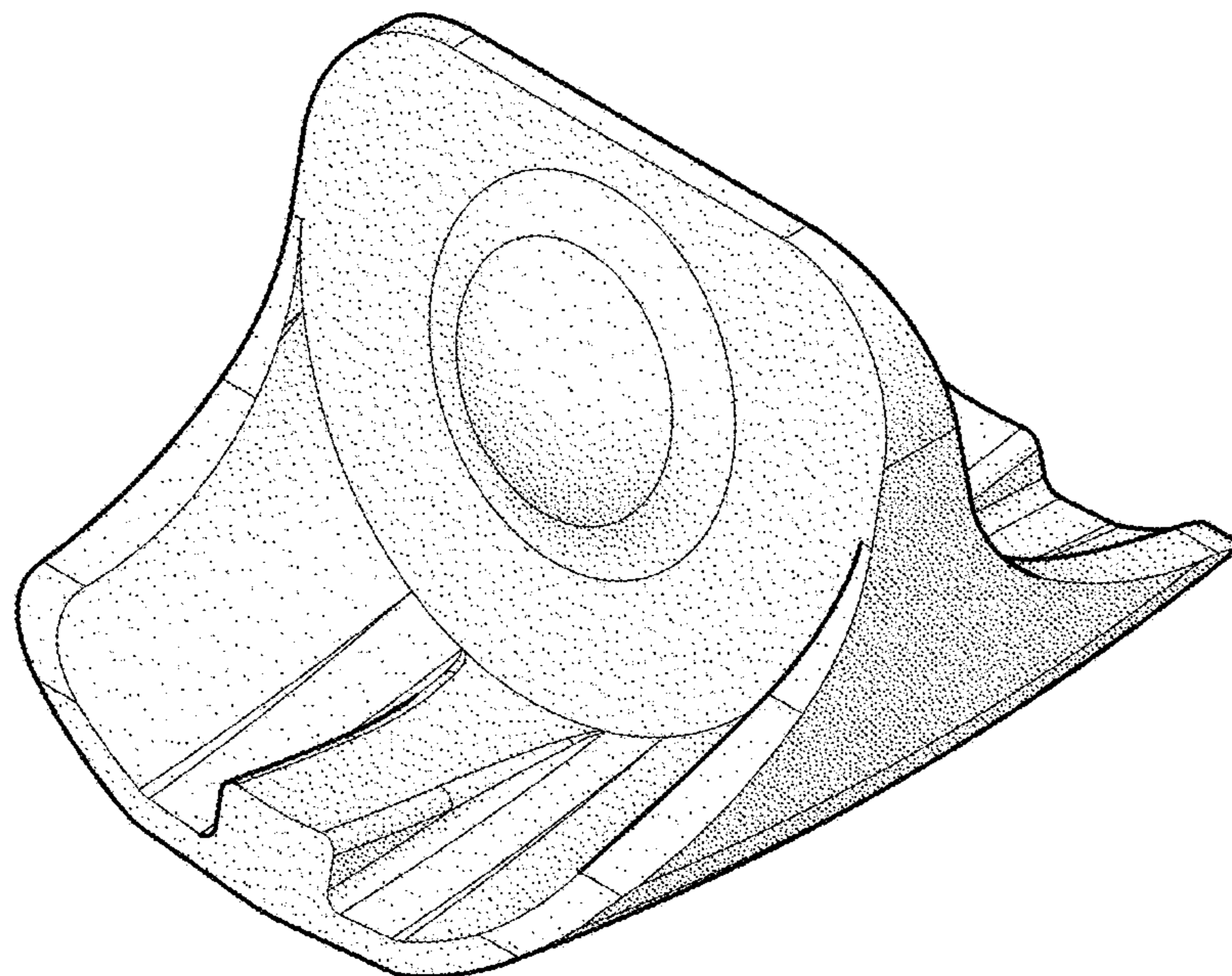
U.S. PATENT DOCUMENTS

9,133,904	B2	9/2015	Kranz et al.	
2005/0049104	A1 *	3/2005	Atkinson .....	F16F 1/025 475/230
2005/0070362	A1 *	3/2005	Mende .....	F16F 15/13453 464/68.41
2005/0197229	A1 *	9/2005	Valente .....	F16H 48/10 475/248
2007/0191170	A1 *	8/2007	Valente .....	F16H 48/11 475/220
2016/0025201	A1 *	1/2016	Wrona .....	F16H 48/08 475/220
2016/0160957	A1 *	6/2016	Dieckhoff .....	F16F 15/1206 192/3.28

\* cited by examiner

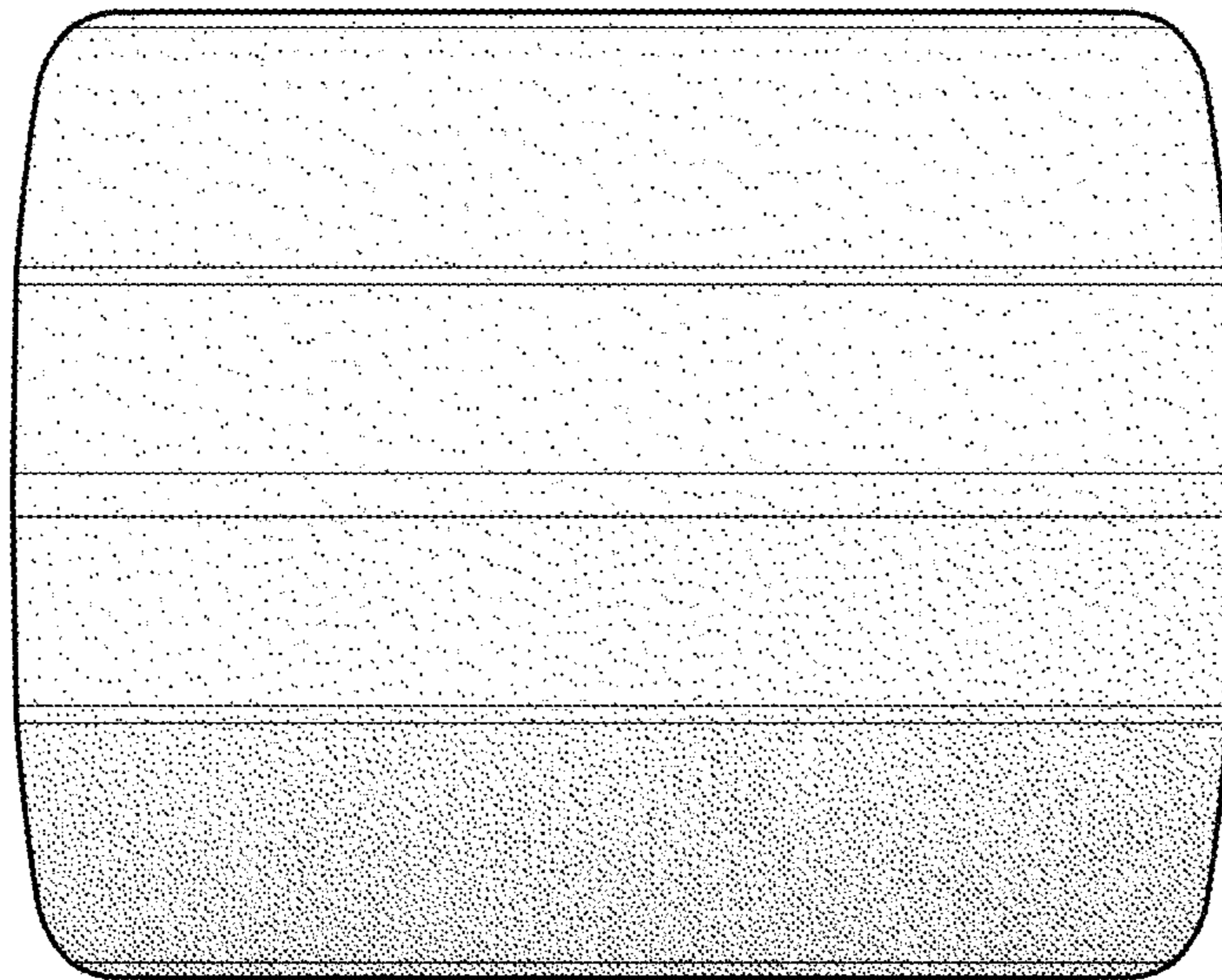


**FIG. 1**

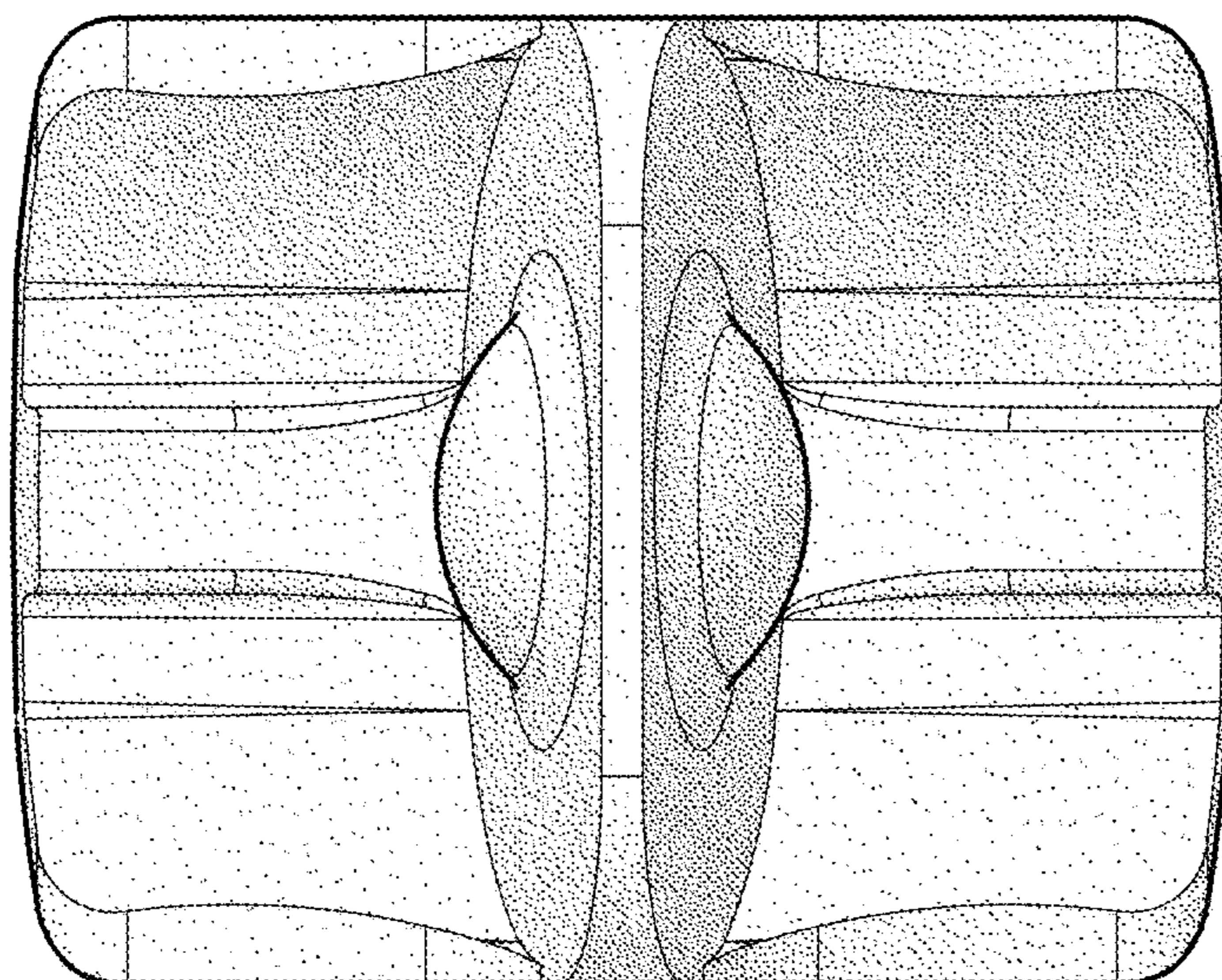


**FIG. 2**

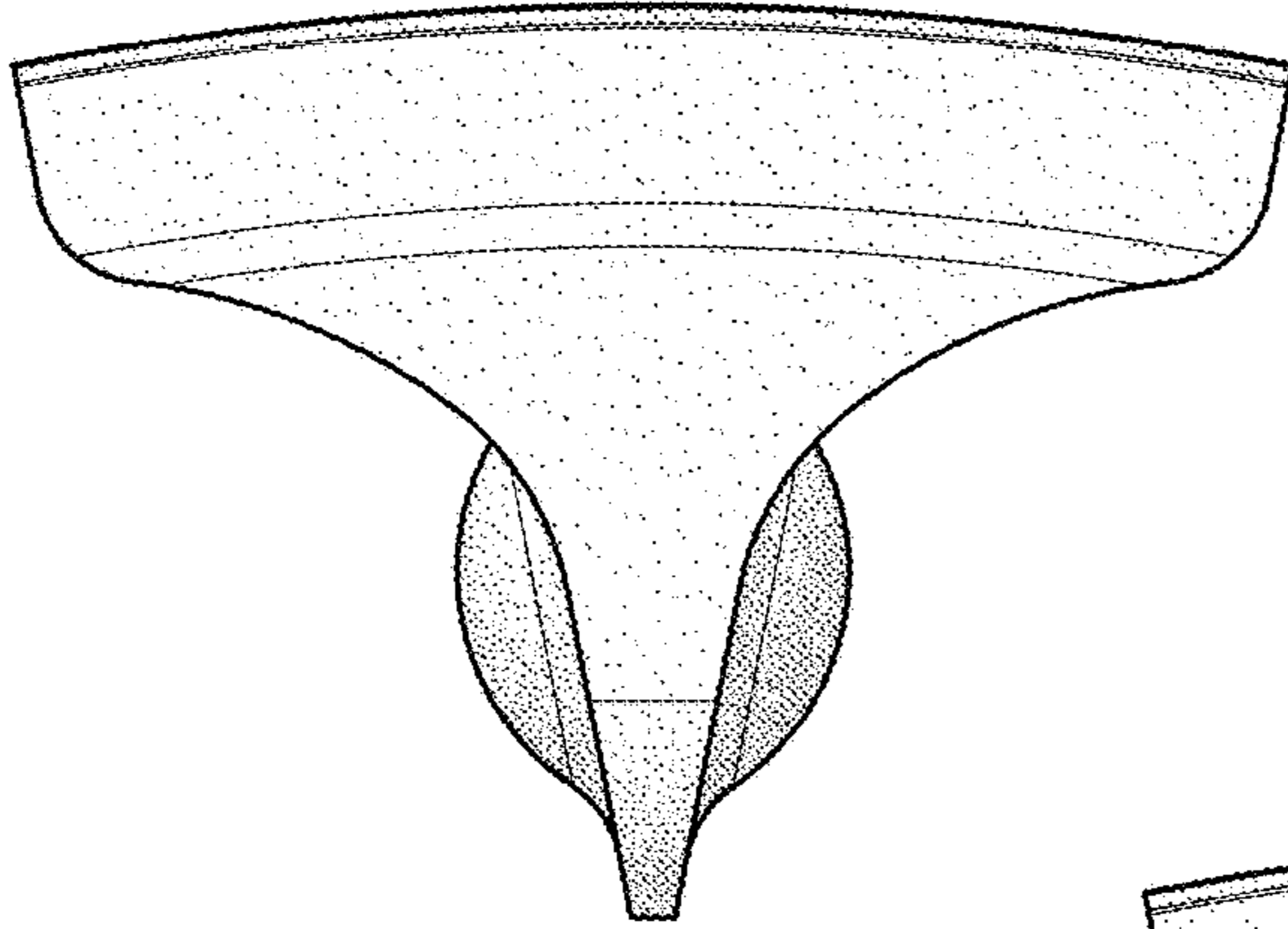




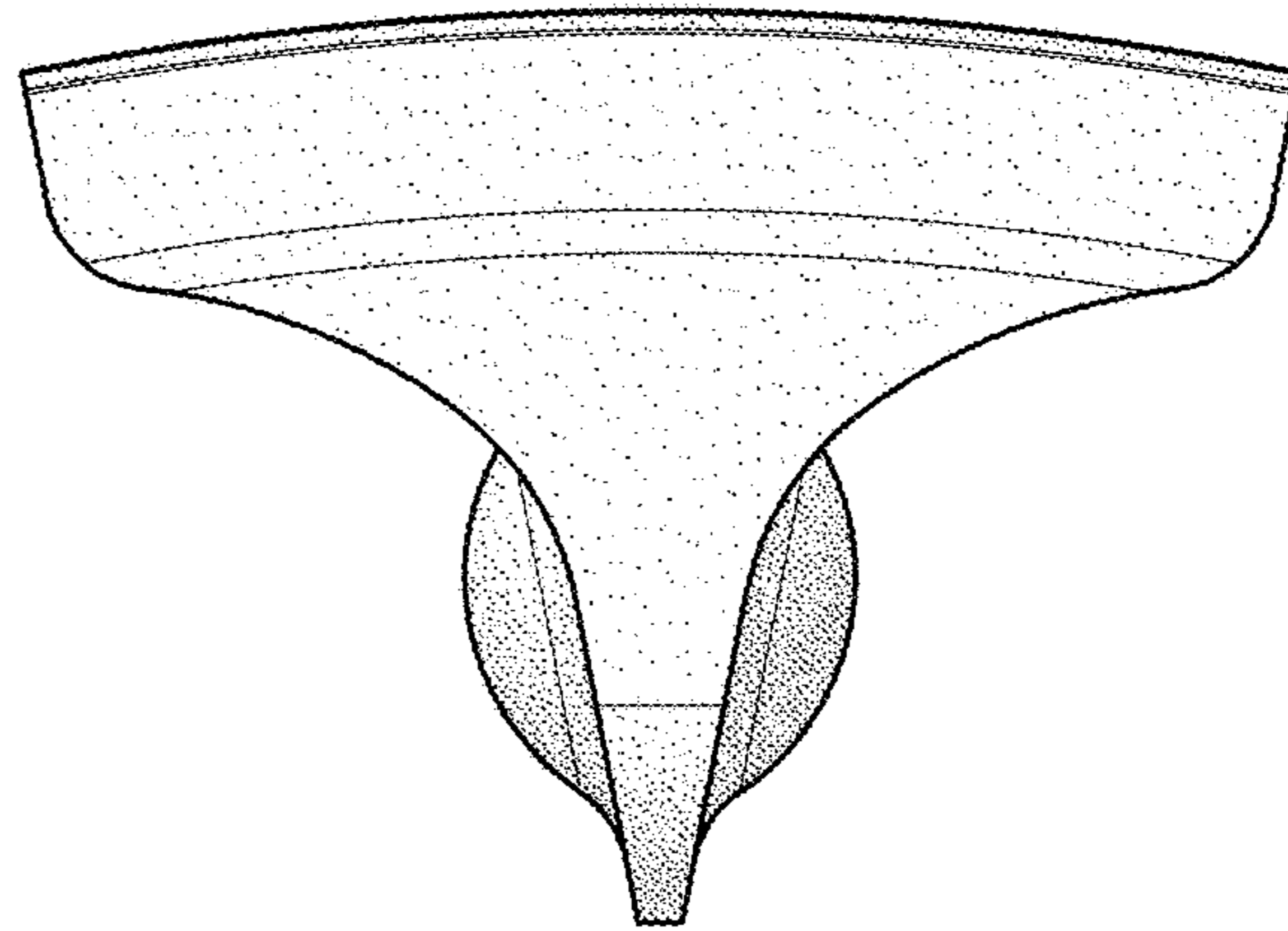
***FIG. 3***



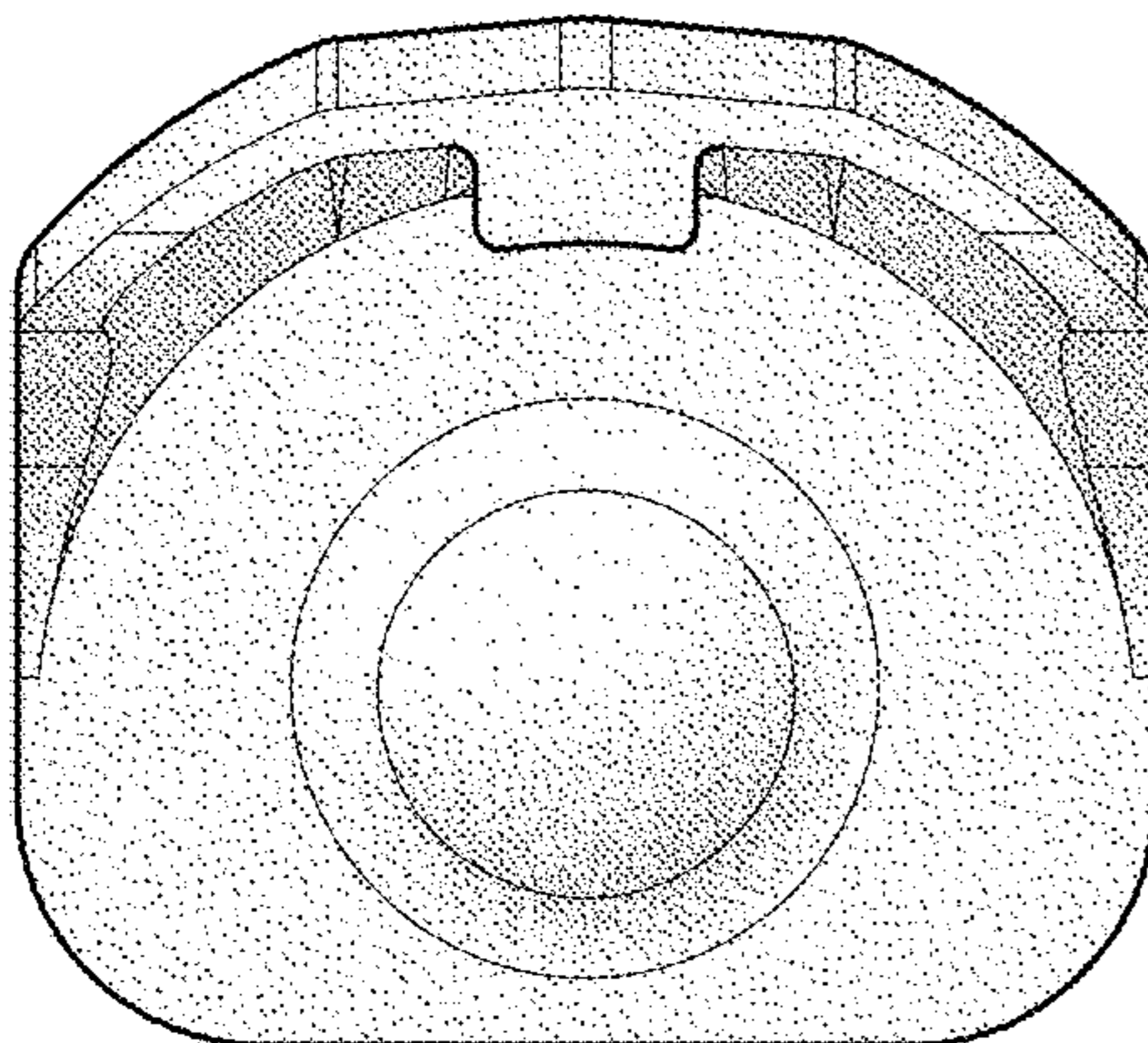
***FIG. 4***



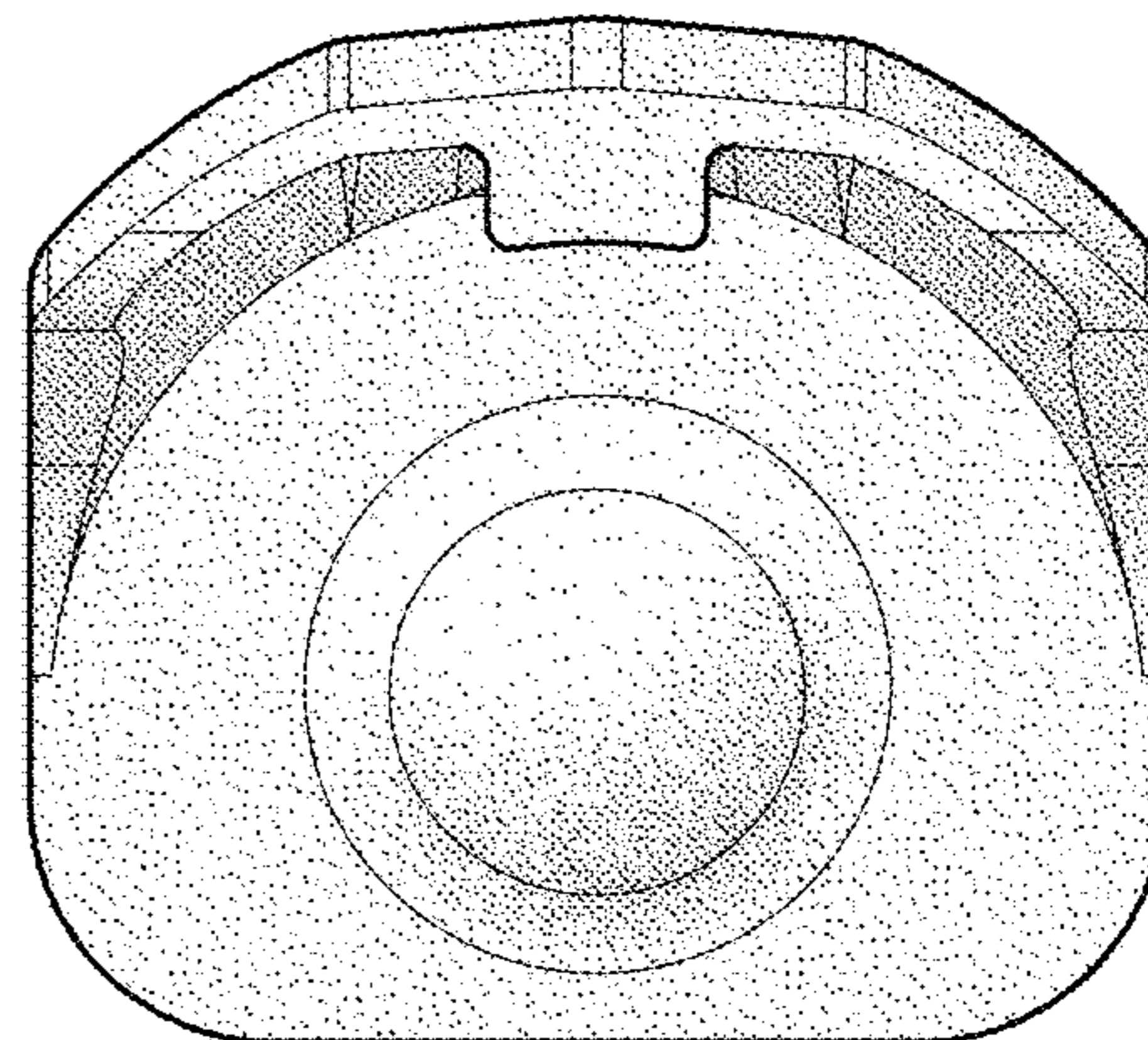
**FIG. 5**



**FIG. 6**



**FIG. 7**



**FIG. 8**