



US00D806102S

(12) **United States Design Patent** (10) **Patent No.:** **US D806,102 S**  
**Baek et al.** (45) **Date of Patent:** **\*\* Dec. 26, 2017**

(54) **DISPLAY SCREEN OR PORTION THEREOF WITH GRAPHICAL USER INTERFACE**

(71) Applicant: **SAMSUNG ELECTRONICS CO., LTD.**, Suwon-si, Gyeonggi-do (KR)

(72) Inventors: **Jiwon Baek**, Yongin-si (KR); **Dongkyu Lim**, Seoul (KR)

(73) Assignee: **SAMSUNG ELECTRONICS CO., LTD.**, Gyeonggi-do (KR)

(\*\*) Term: **15 Years**

(21) Appl. No.: **29/562,482**

(22) Filed: **Apr. 26, 2016**

(30) **Foreign Application Priority Data**

Jan. 22, 2016 (KR) ..... 30-2016-0003422

(51) **LOC (10) Cl.** ..... **14-04**

(52) **U.S. Cl.**  
USPC ..... **D14/486**

(58) **Field of Classification Search**

USPC ..... D14/485-495  
CPC .. G06F 3/0481; G06F 3/04817; G06F 3/0482; G06F 3/0488; G06F 3/04883; G06F 3/04842; G06F 3/0485; G06F 3/0484; G06F 3/04845; G06F 3/04847; G06F 3/0486; G06F 3/04886; G06F 3/0483; G06F 1/163

See application file for complete search history.

(56) **References Cited**

**U.S. PATENT DOCUMENTS**

D496,940 S \* 10/2004 Fetterman ..... D14/485  
D511,167 S \* 11/2005 Blencowe ..... D14/486  
D553,142 S \* 10/2007 Blencowe ..... D14/486  
D625,733 S 10/2010 Anzures  
D636,281 S \* 4/2011 Henderson ..... D10/68  
D682,850 S \* 5/2013 Del Pasqua ..... D14/485

D687,047 S \* 7/2013 Hales, IV ..... D14/485  
D690,729 S \* 10/2013 Abratowski ..... D14/489  
D701,226 S \* 3/2014 Jung ..... D14/486  
D702,720 S \* 4/2014 Abratowski ..... D14/489  
D713,412 S \* 9/2014 Gall ..... D14/485  
D744,529 S \* 12/2015 Guzman ..... D14/489  
D751,574 S \* 3/2016 Forsblom ..... D14/485  
D755,240 S \* 5/2016 Cavander ..... G06F 3/04817  
D14/494

D757,079 S \* 5/2016 Chaudhri ..... D14/486  
D763,865 S \* 8/2016 Zhu ..... D14/485

(Continued)

**FOREIGN PATENT DOCUMENTS**

EM 001311708-0001 12/2011  
EM 001392153-0032 12/2013

*Primary Examiner* — Karen E Kearney

*Assistant Examiner* — Andrew T Nemeth

(74) *Attorney, Agent, or Firm* — Cantor Colburn LLP

(57) **CLAIM**

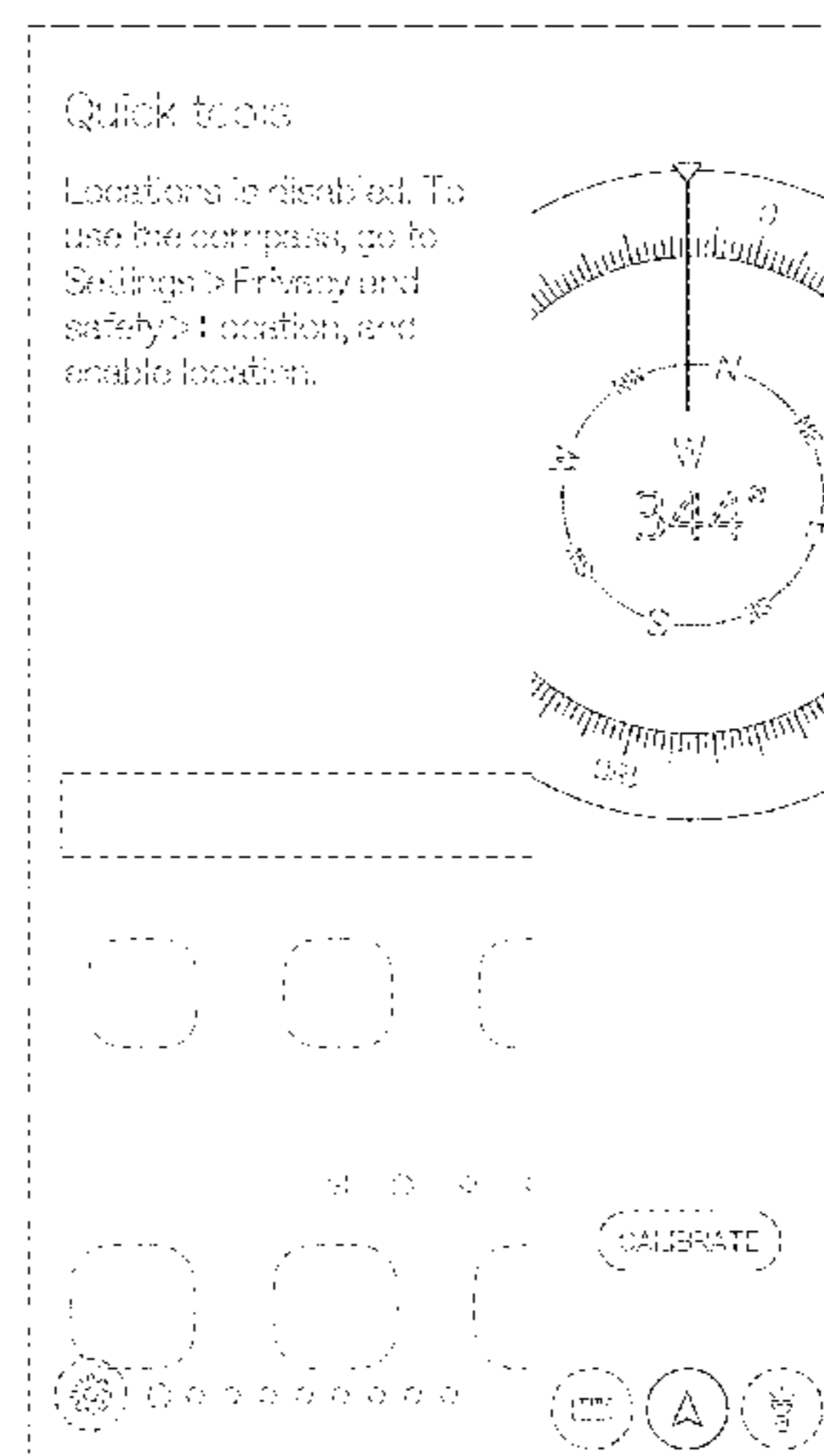
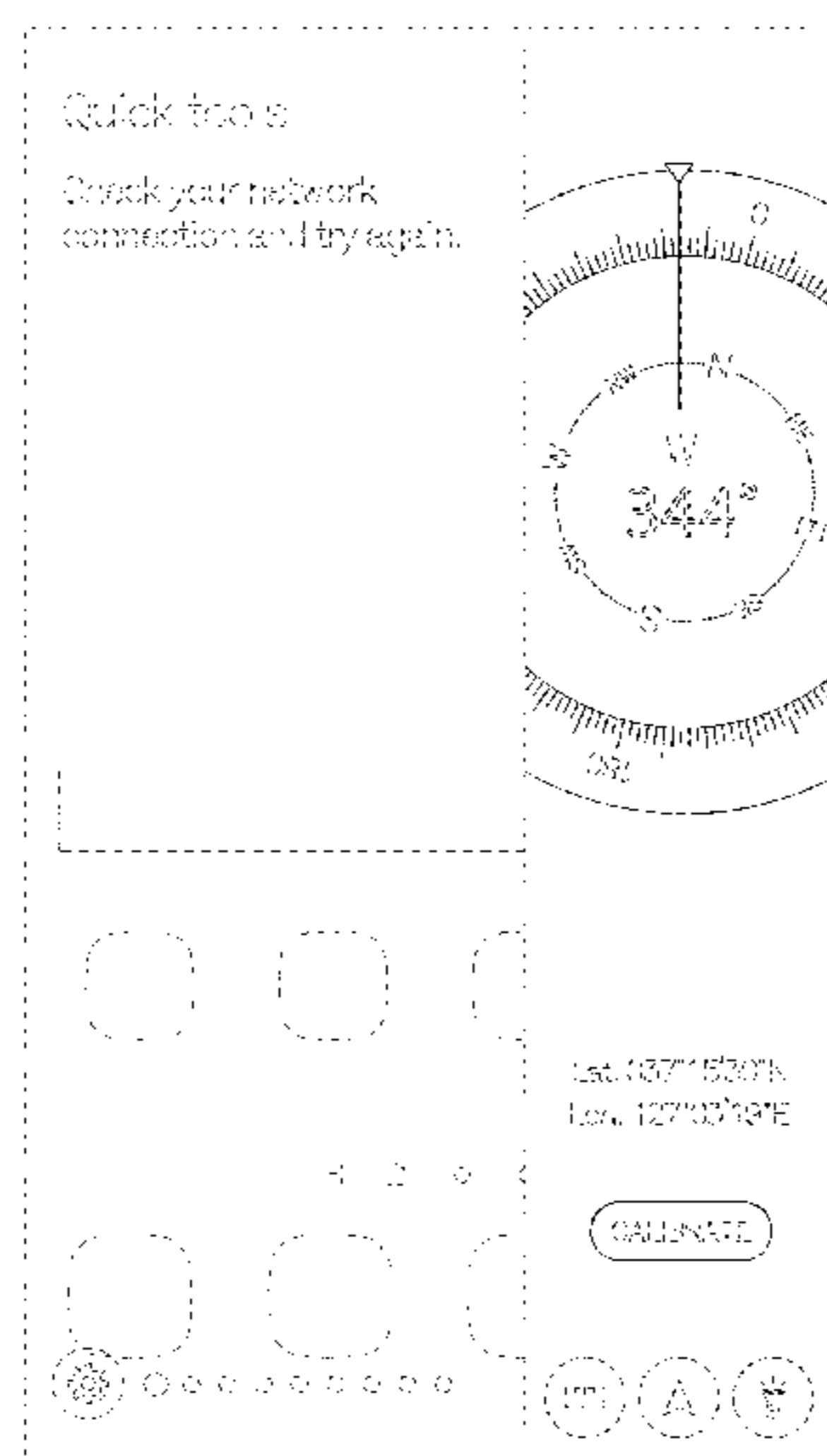
The ornamental design for a display screen or portion thereof with graphical user interface, as shown and described.

**DESCRIPTION**

FIG. 1 is a front view of a display screen or portion thereof with graphical user interface according to a first embodiment, showing our new design;  
FIG. 2 is a front view thereof according to a second embodiment;  
FIG. 3 is a front view thereof according to a third embodiment; and,  
FIG. 4 is a front view thereof according to a fourth embodiment.

The outermost broken lines illustrate the display screen or portion thereof and form no part of the claimed design. The remainder of the broken lines illustrates portions of the graphical user interface that form no part of the claimed design.

**1 Claim, 4 Drawing Sheets**



(56)

**References Cited**

U.S. PATENT DOCUMENTS

D765,114 S *	8/2016	Chaudhri .....	D14/486
D768,652 S *	10/2016	Yang .....	D14/485
D778,304 S *	2/2017	Deusing .....	D14/486
D778,305 S *	2/2017	Deusing .....	D14/486
D790,571 S *	6/2017	Deusing .....	D14/486
D793,438 S *	8/2017	Hosaka .....	D14/486
2010/0211237 A1 *	8/2010	Nichols .....	G01C 23/00 701/14
2011/0209074 A1 *	8/2011	Gill .....	G06Q 10/20 715/760
2015/0260525 A1 *	9/2015	Parthasarathy .....	G01C 23/00 701/538

\* cited by examiner

FIG. 1

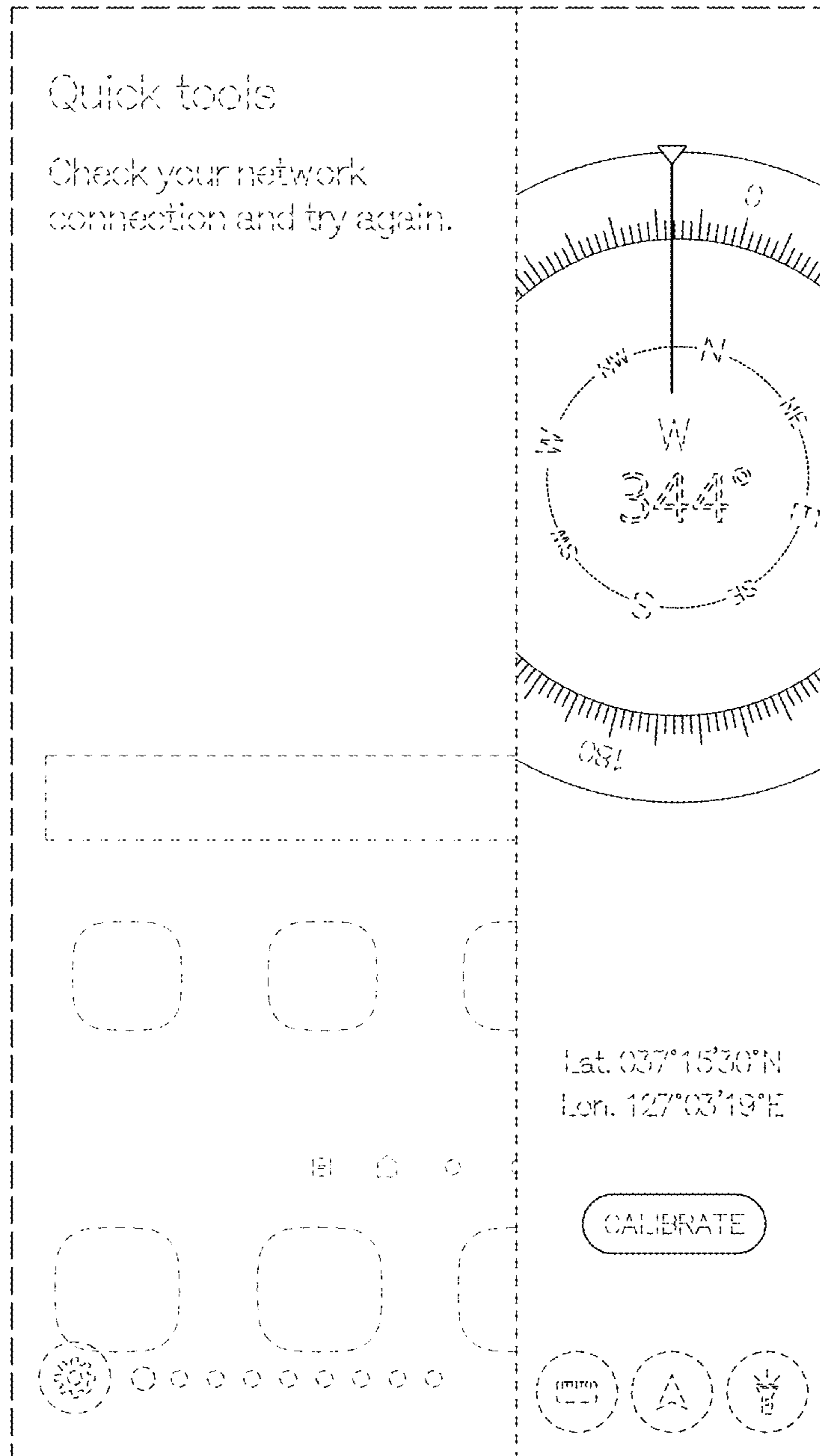


FIG. 2

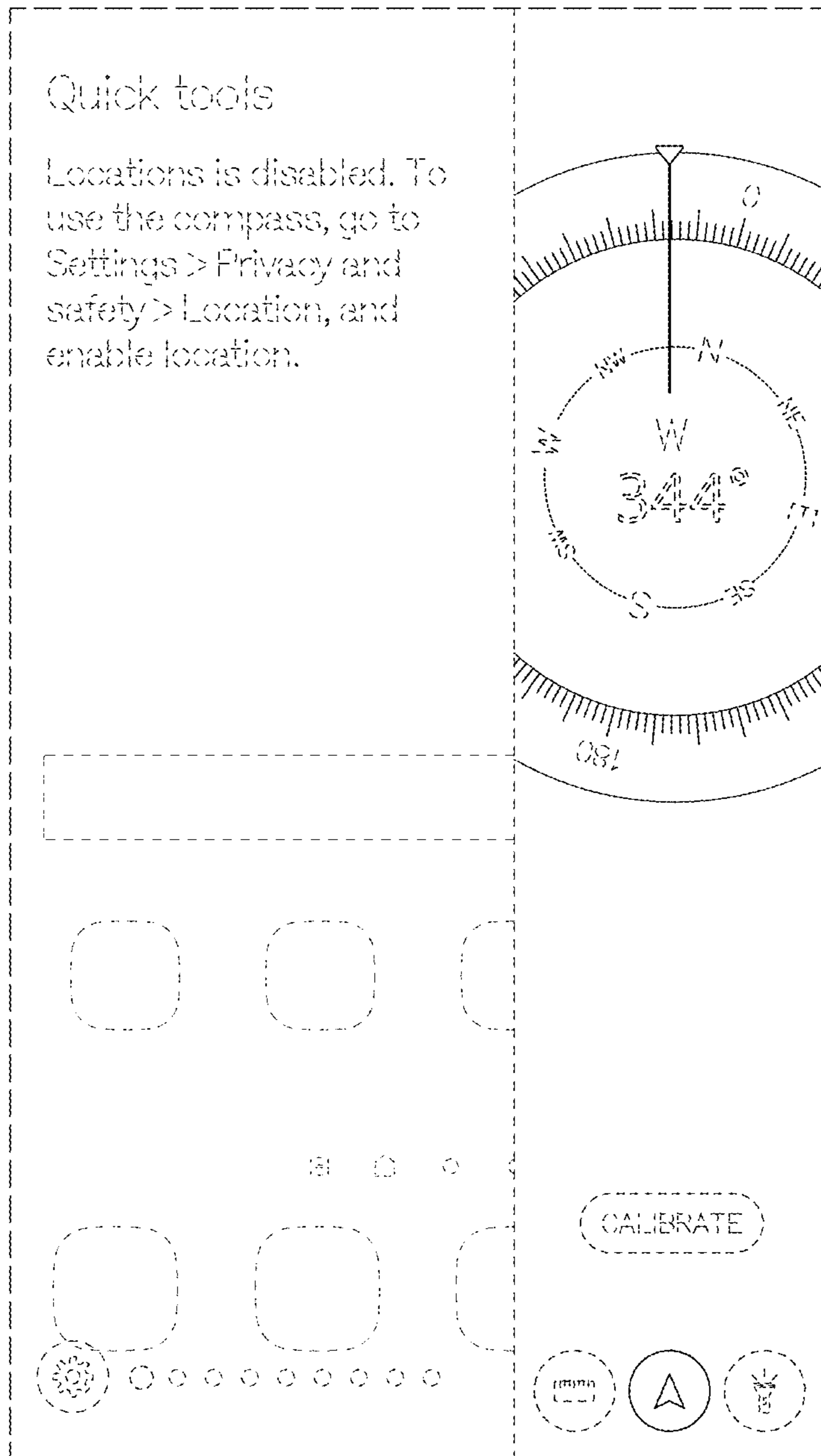


FIG. 3

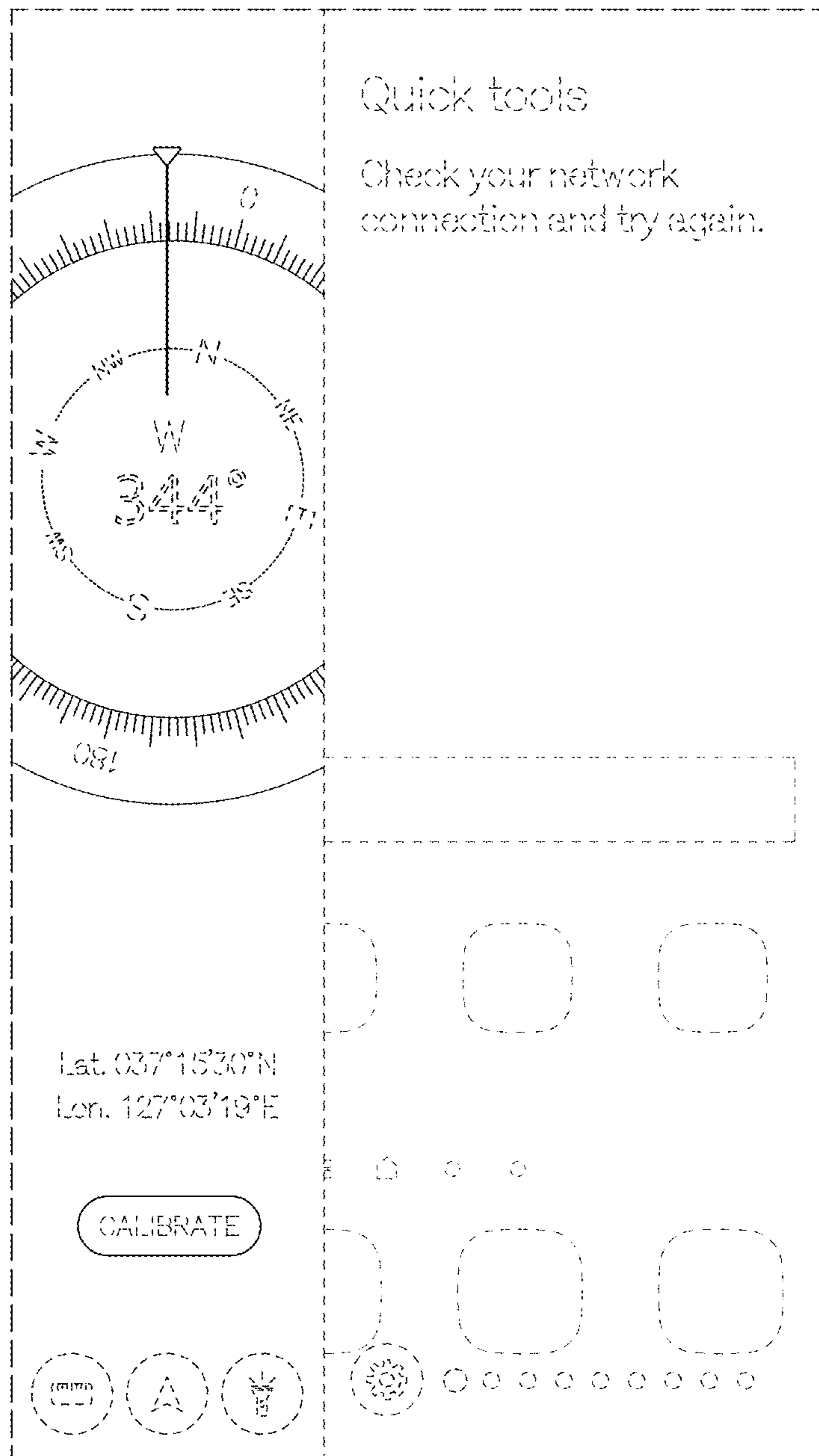


FIG. 4

