



US00D806089S

(12) **United States Design Patent** (10) **Patent No.:** **US D806,089 S**
Shim (45) **Date of Patent:** **** Dec. 26, 2017**

(54) **USB MEMORY**

(71) Applicant: **SAMSUNG ELECTRONICS CO., LTD.**, Suwon-si (KR)

(72) Inventor: **Hyung-Sup Shim**, Seoul (KR)

(73) Assignee: **SAMSUNG ELECTRONICS CO., LTD.**, Suwon-si (KR)

(**) Term: **15 Years**

(21) Appl. No.: **29/585,224**

(22) Filed: **Nov. 22, 2016**

(30) **Foreign Application Priority Data**

Jul. 20, 2016 (KR) 30-2016-0035315

(51) **LOC (10) Cl.** **14-02**

(52) **U.S. Cl.**
USPC **D14/480.5**

(58) **Field of Classification Search**

USPC D14/480.1-480.7, 435.1, 411, 433, 436,
D14/484.1, 137, 155, 203.1-203.8, 240,
D14/242; D13/133, 154

CPC H05K 5/0278; G06K 19/07732

See application file for complete search history.

(56) **References Cited**

U.S. PATENT DOCUMENTS

D520,996 S * 5/2006 Deng D14/480.5
D610,134 S * 2/2010 Gotzen D14/188
D642,585 S * 8/2011 Lan D14/480.5
D670,297 S * 11/2012 Huang D14/480.5
D685,382 S * 7/2013 Anderson D14/480.5
D685,383 S * 7/2013 Anderson D14/480.5

D687,042 S * 7/2013 Yoneta D14/480.5
D706,787 S * 6/2014 Emami D14/480.7
D711,389 S * 8/2014 Sun D14/480.5
D729,277 S * 5/2015 Uchida D14/435.1
D754,131 S * 4/2016 Shim D14/435
D759,660 S 6/2016 Huang
D774,514 S * 12/2016 Turksu D14/480.5
D784,357 S * 4/2017 Mombauer D14/480.5

FOREIGN PATENT DOCUMENTS

CN 303387260 S 9/2015
EM 002767681-0007 9/2015
KR 30-0339794 S 12/2003
KR 30-0414238 S 5/2006

* cited by examiner

Primary Examiner — Angela J Lee

(74) *Attorney, Agent, or Firm* — Sughrue Mion, PLLC

(57) **CLAIM**

The ornamental design for an USB memory, as shown and described.

DESCRIPTION

FIG. 1 is a perspective view of an USB memory showing our new design;

FIG. 2 is a front view thereof;

FIG. 3 is a rear view thereof;

FIG. 4 is a left-side view thereof;

FIG. 5 is a right-side view thereof;

FIG. 6 is a top plan view thereof;

FIG. 7 is a bottom plan view thereof; and,

FIG. 8 is another perspective view thereof to show the design can be separated.

The broken lines are for illustrative purposes only and form no part of the claimed design.

1 Claim, 4 Drawing Sheets

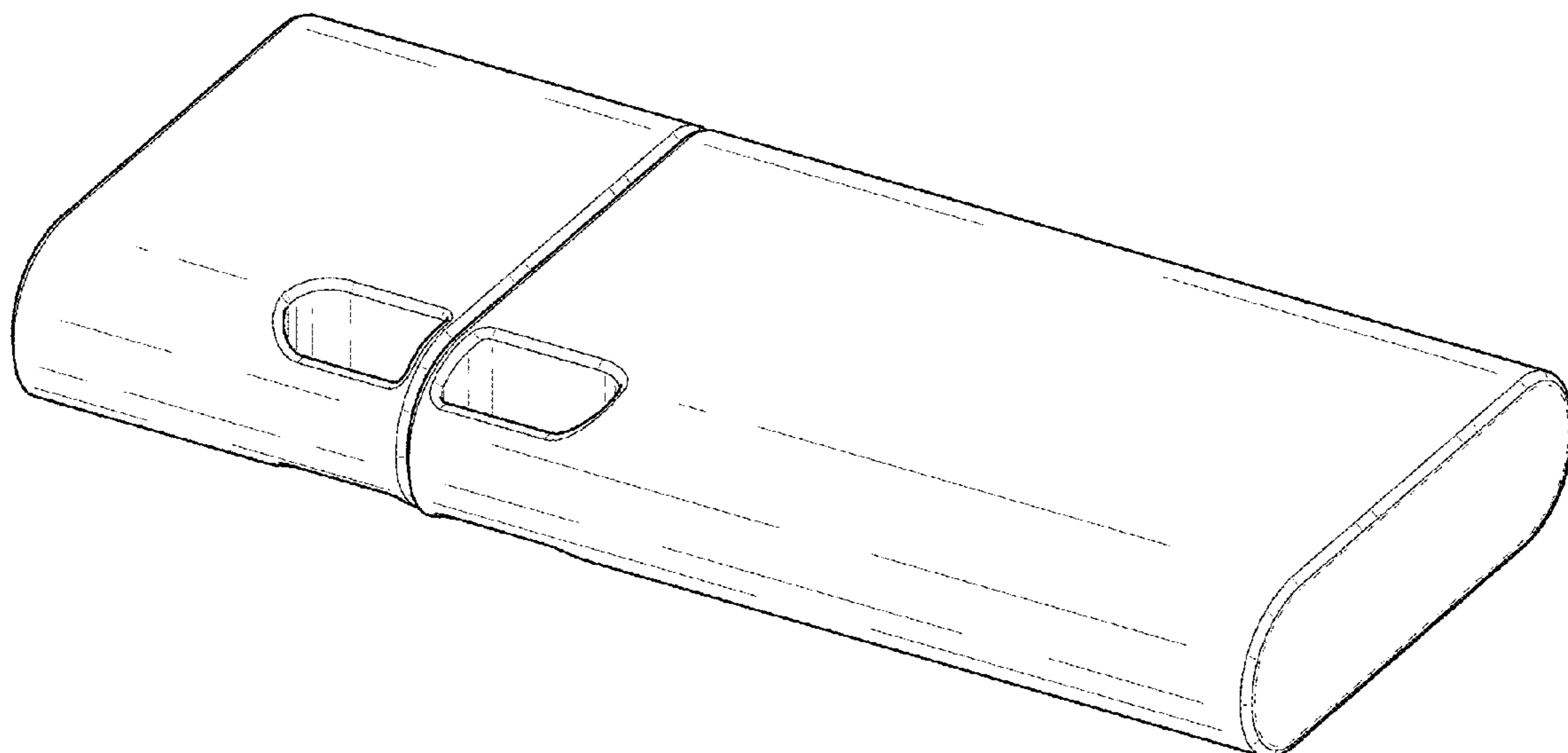


FIG. 1

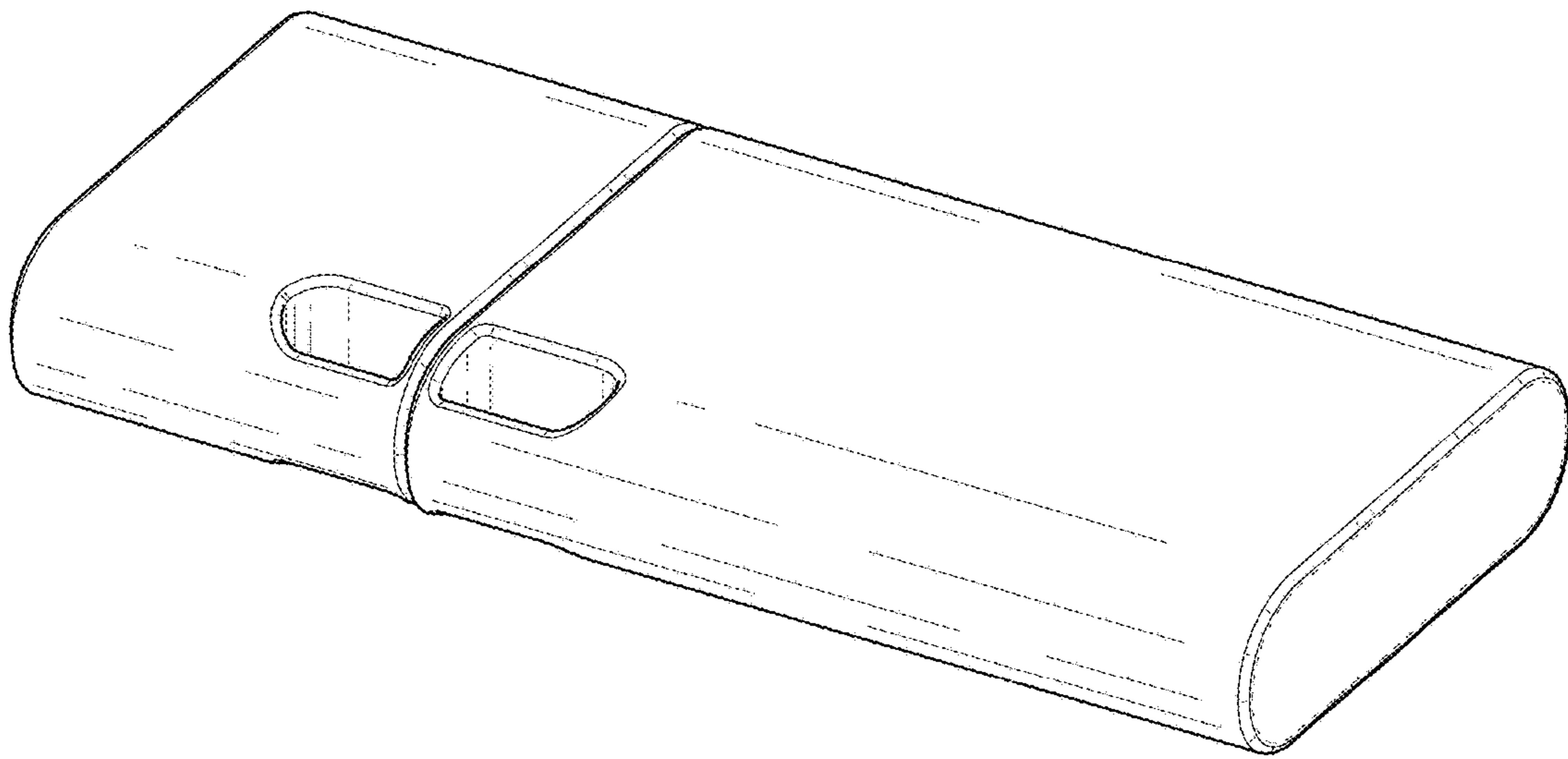


FIG. 2

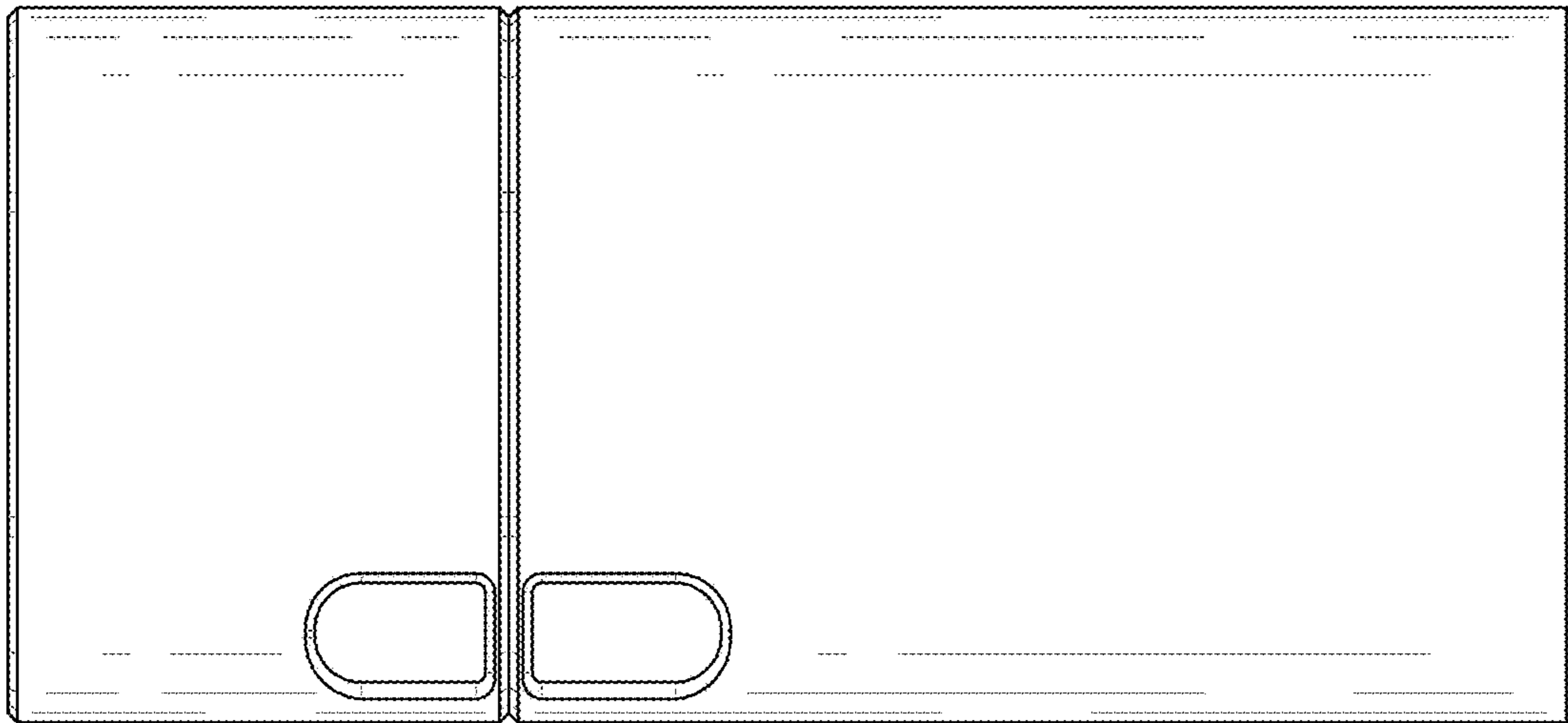


FIG. 3

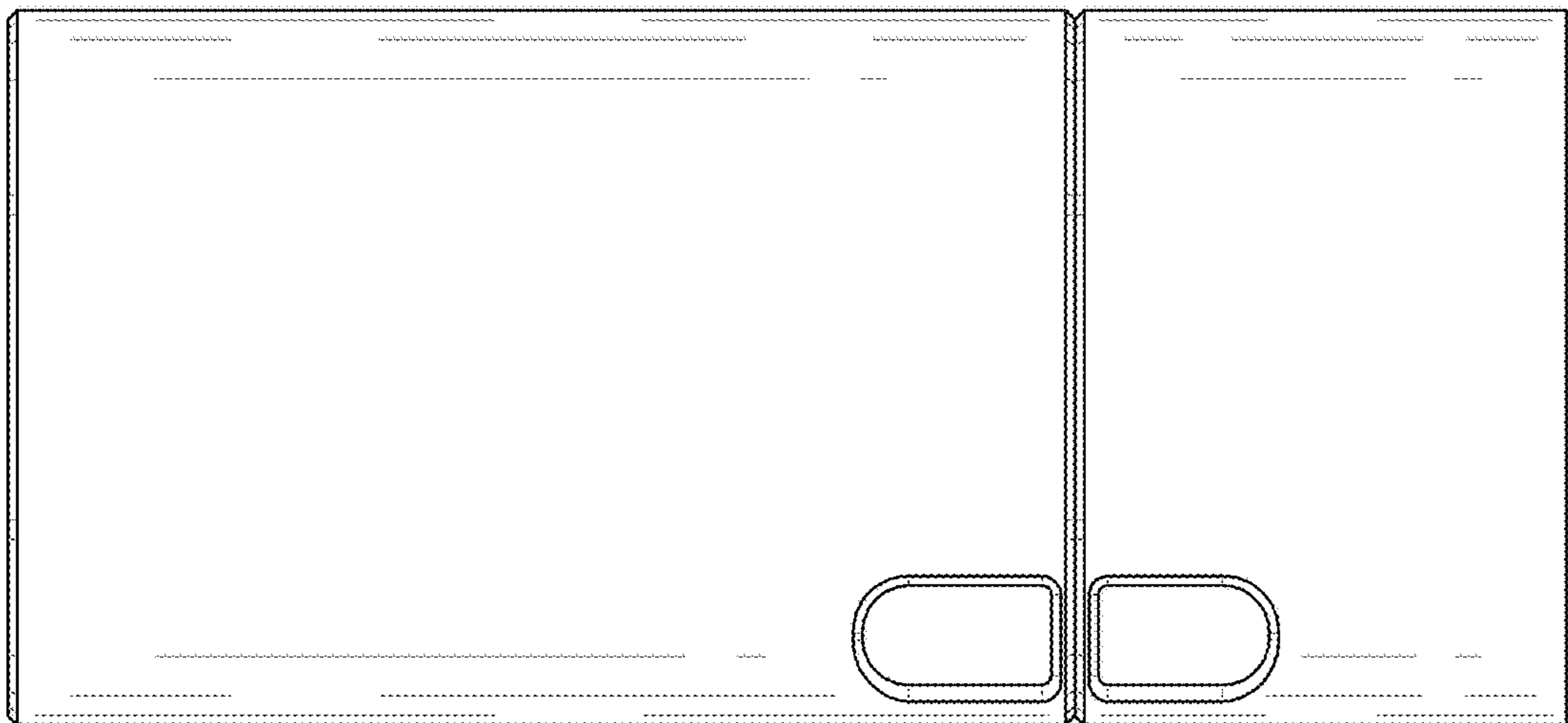


FIG. 4

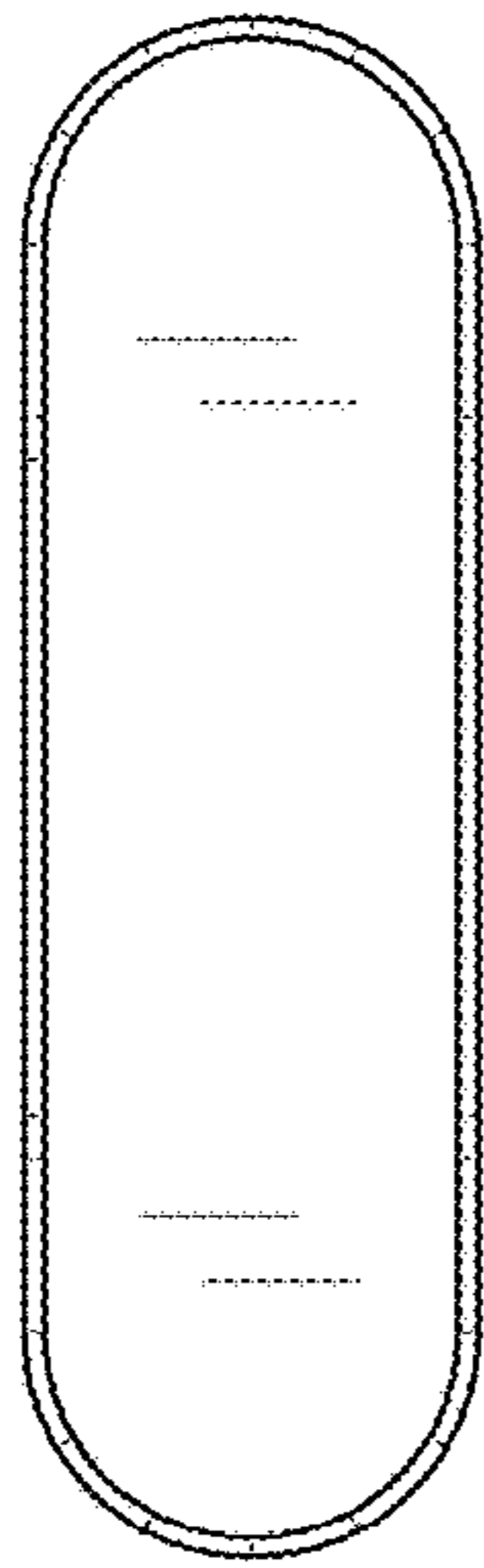


FIG. 5

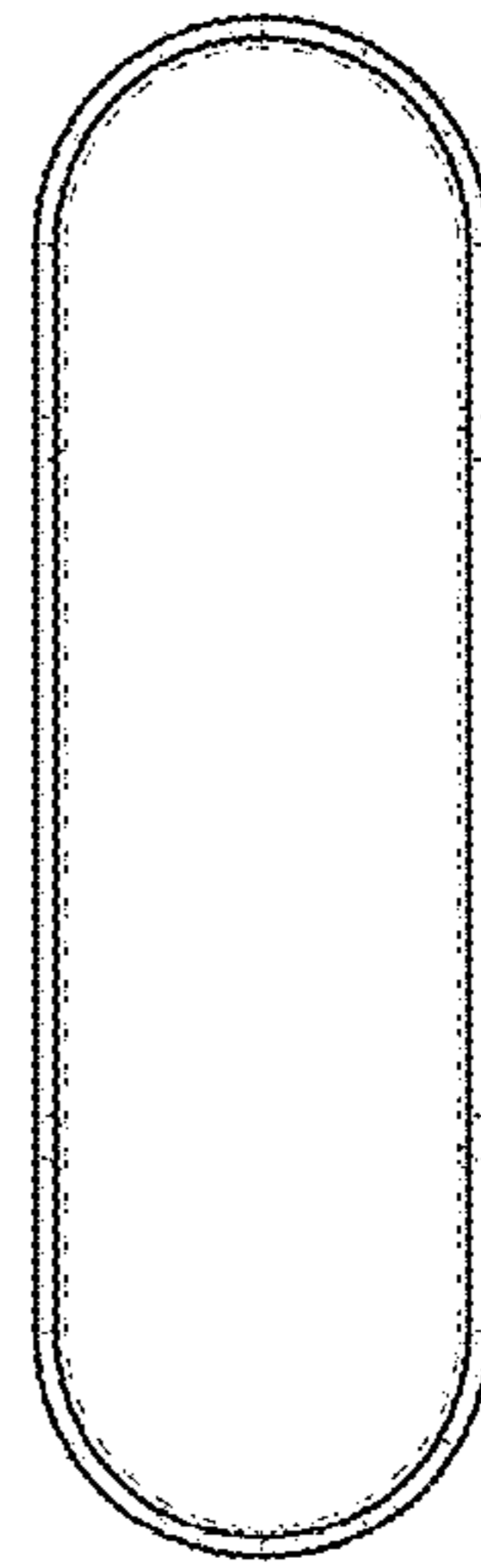


FIG. 6

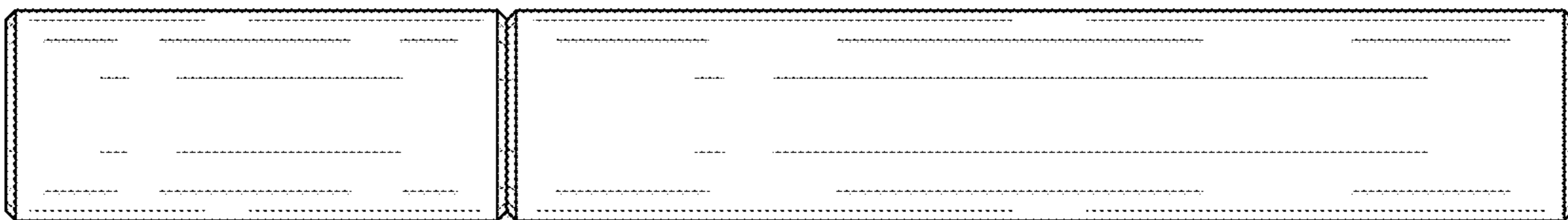


FIG. 7

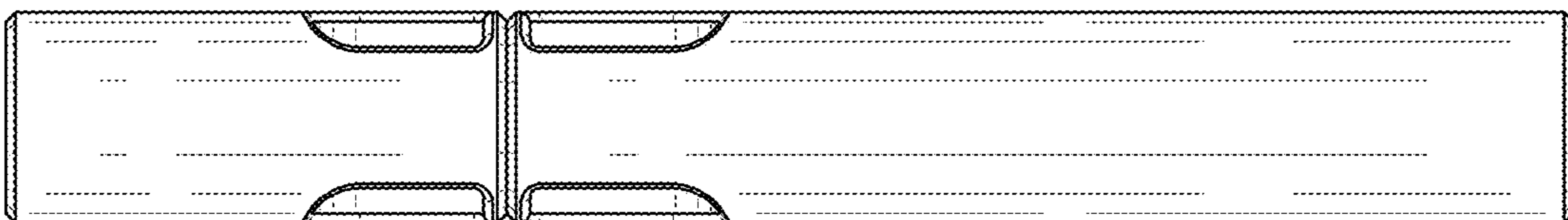


FIG. 8

