



US00D806088S

(12) **United States Design Patent**
Hasegawa

(10) **Patent No.:** **US D806,088 S**

(45) **Date of Patent:** **** Dec. 26, 2017**

(54) **HEAD-MOUNTED DISPLAY**

(71) Applicant: **CANON KABUSHIKI KAISHA,**
Tokyo (JP)

(72) Inventor: **Masato Hasegawa,** Tokyo (JP)

(**) Term: **15 Years**

(21) Appl. No.: **35/501,521**

(22) Filed: **Mar. 31, 2016**

(80) **Hague Agreement Data**

Int. Filing Date: **Mar. 31, 2016**

Int. Reg. No.: **DM/092254**

Int. Reg. Date: **Mar. 31, 2016**

Int. Reg. Pub. Date: **Sep. 9, 2016**

(30) **Foreign Application Priority Data**

Oct. 28, 2015 (JP) 2015-023895

(51) **LOC (10) Cl.** **14-03**

(52) **U.S. Cl.**
USPC **D14/472**

(58) **Field of Classification Search**

USPC D14/372, 496, 432, 371, 125, 126, 129,
D14/299; D16/300-342; 351/158, 153,
351/144; 345/7-9, 905; 455/344;
348/115, 53, 121, 739

CPC G02B 27/017; G02B 27/0158; G02B
27/0161; G02B 27/0181; G02B 27/0185;
G02B 27/0187

See application file for complete search history.

(56) **References Cited**

U.S. PATENT DOCUMENTS

D388,426 S *	12/1997	Pombo	D14/372
D404,026 S	1/1999	Hasegawa	D14/113
D659,137 S *	5/2012	Matsumoto	D14/372
D750,074 S *	2/2016	Coz	D14/372
D757,003 S *	5/2016	Goossens	D14/372
D757,726 S *	5/2016	Lee	D14/372
D759,654 S *	6/2016	Sullivan	D14/372
D764,466 S *	8/2016	Kim	D14/372
2016/0341953 A1 *	11/2016	Tseng	G02B 27/0176

* cited by examiner

Primary Examiner — Keli L Hill

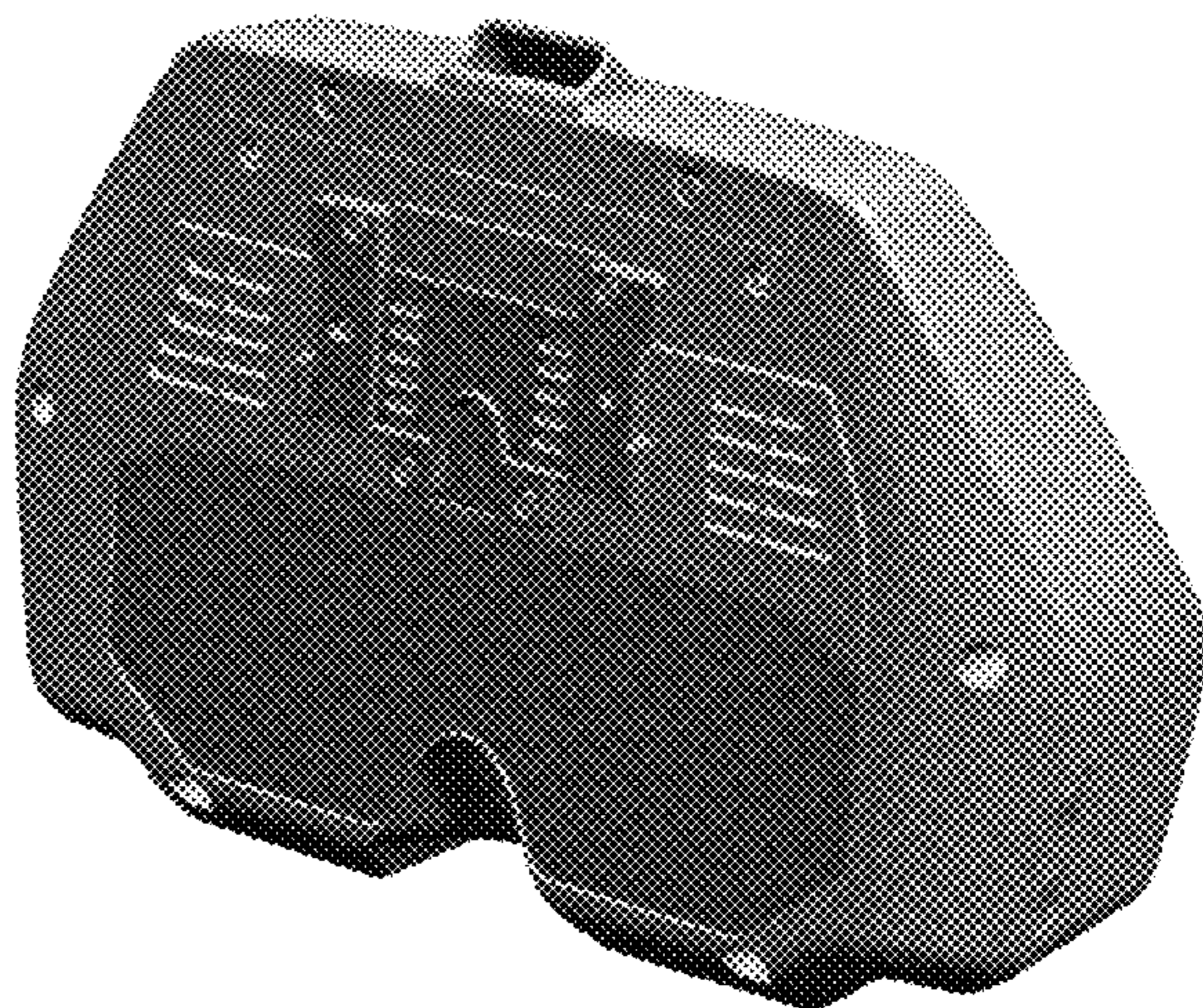
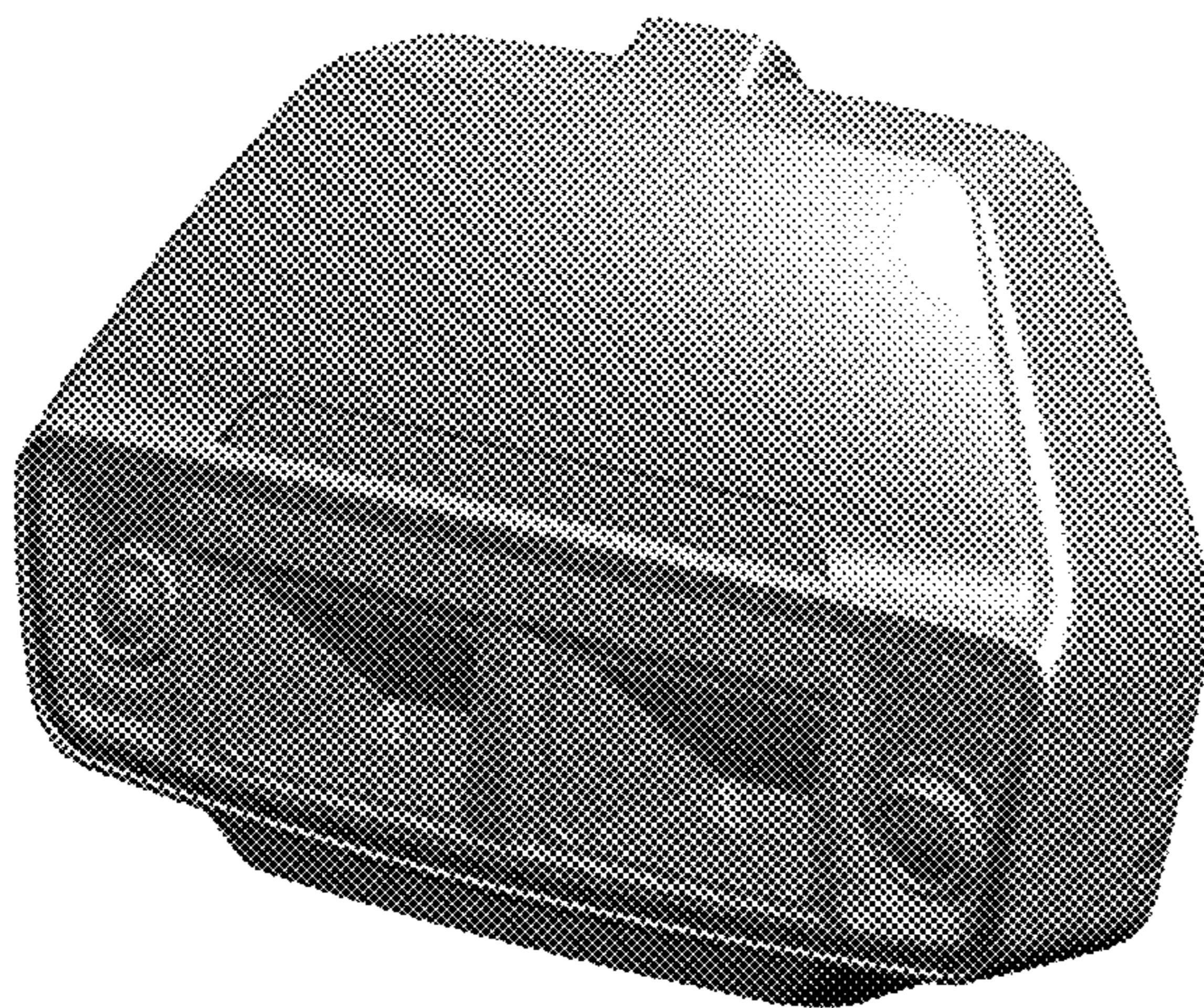
(57) **CLAIM**

The ornamental design for a head-mounted display, as shown and described.

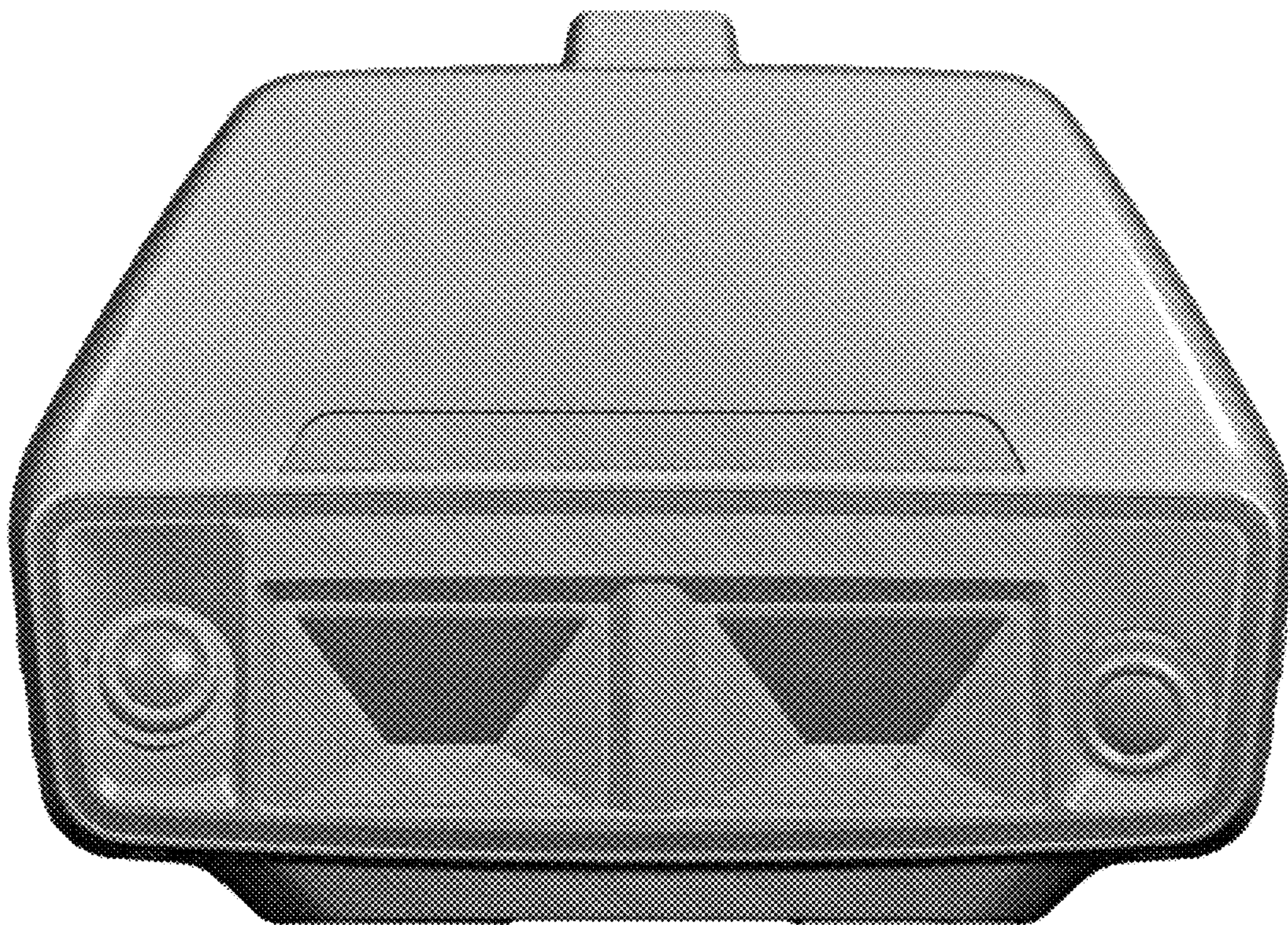
DESCRIPTION

1. Head-mounted display
- 1.1 is a front elevation view.
- 1.2 is a rear elevation view.
- 1.3 is a top plan view.
- 1.4 is a bottom plan view.
- 1.5 is a left side elevation view.
- 1.6 is a right side elevation view.
- 1.7 is a front perspective view.
- 1.8 is a rear perspective view.

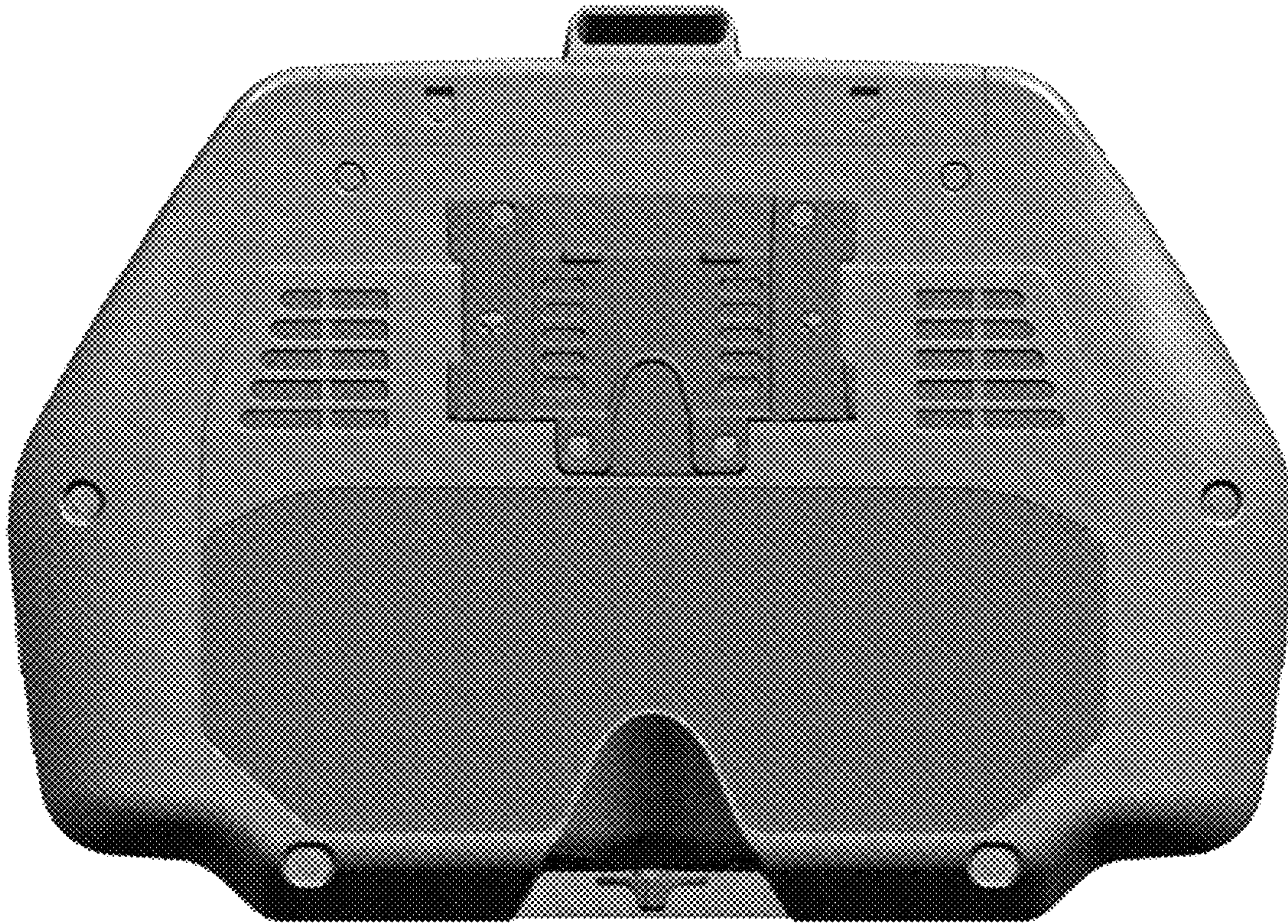
1 Claim, 8 Drawing Sheets



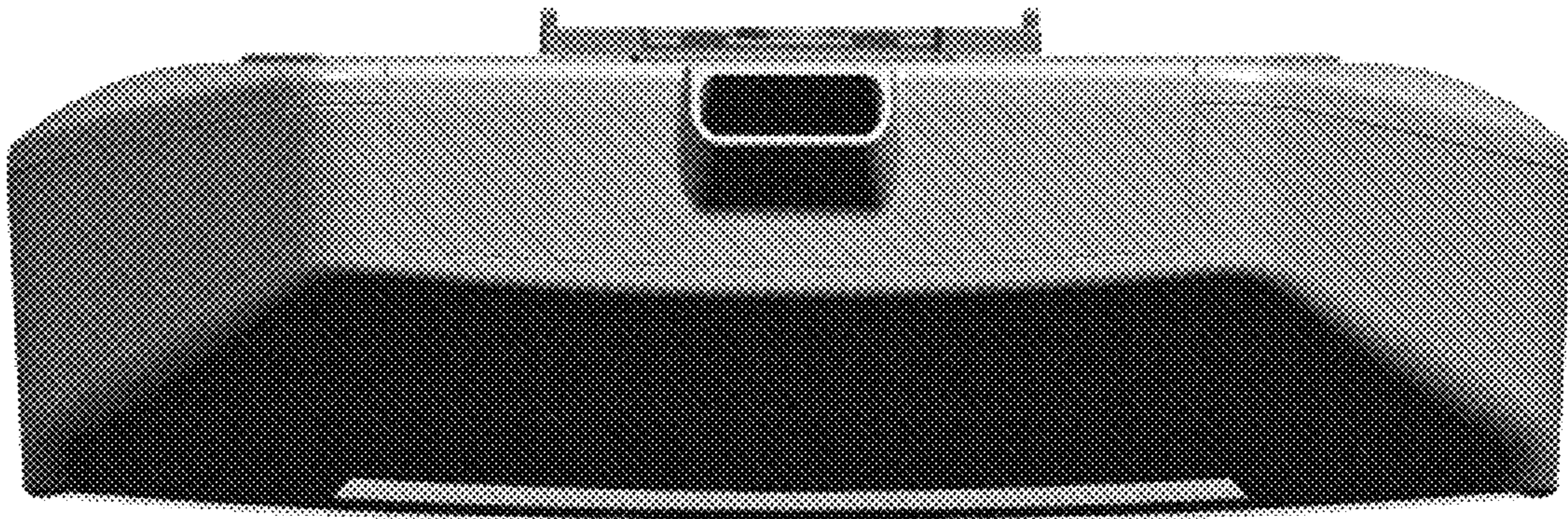
1.1



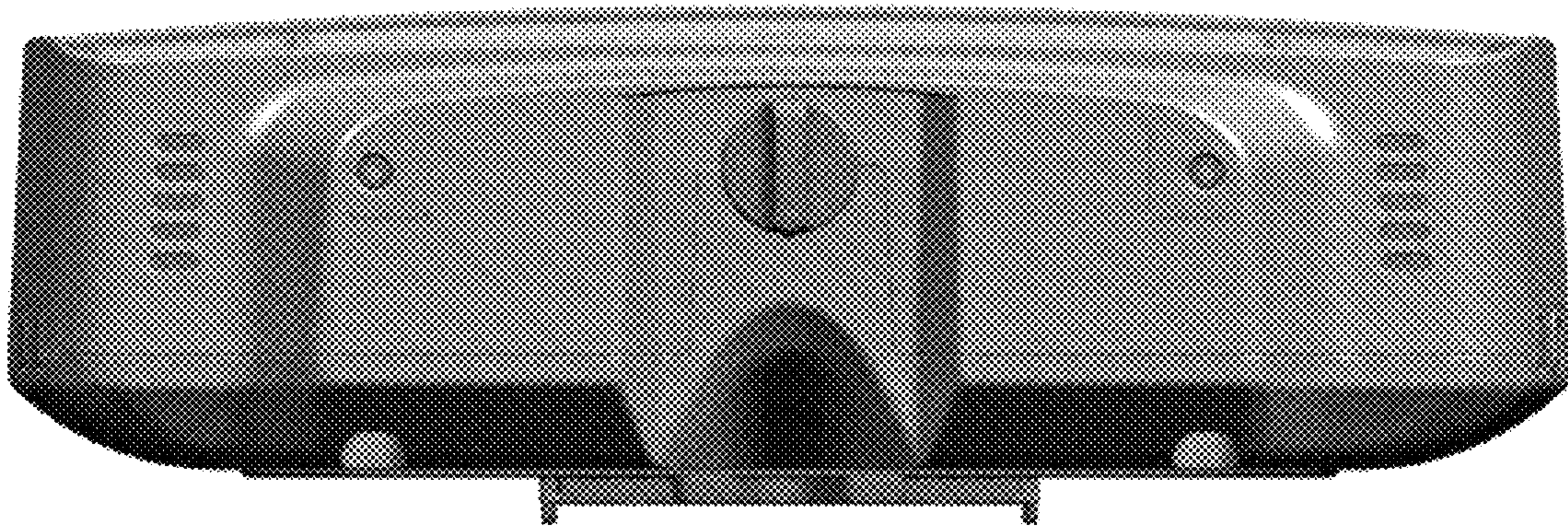
1.2



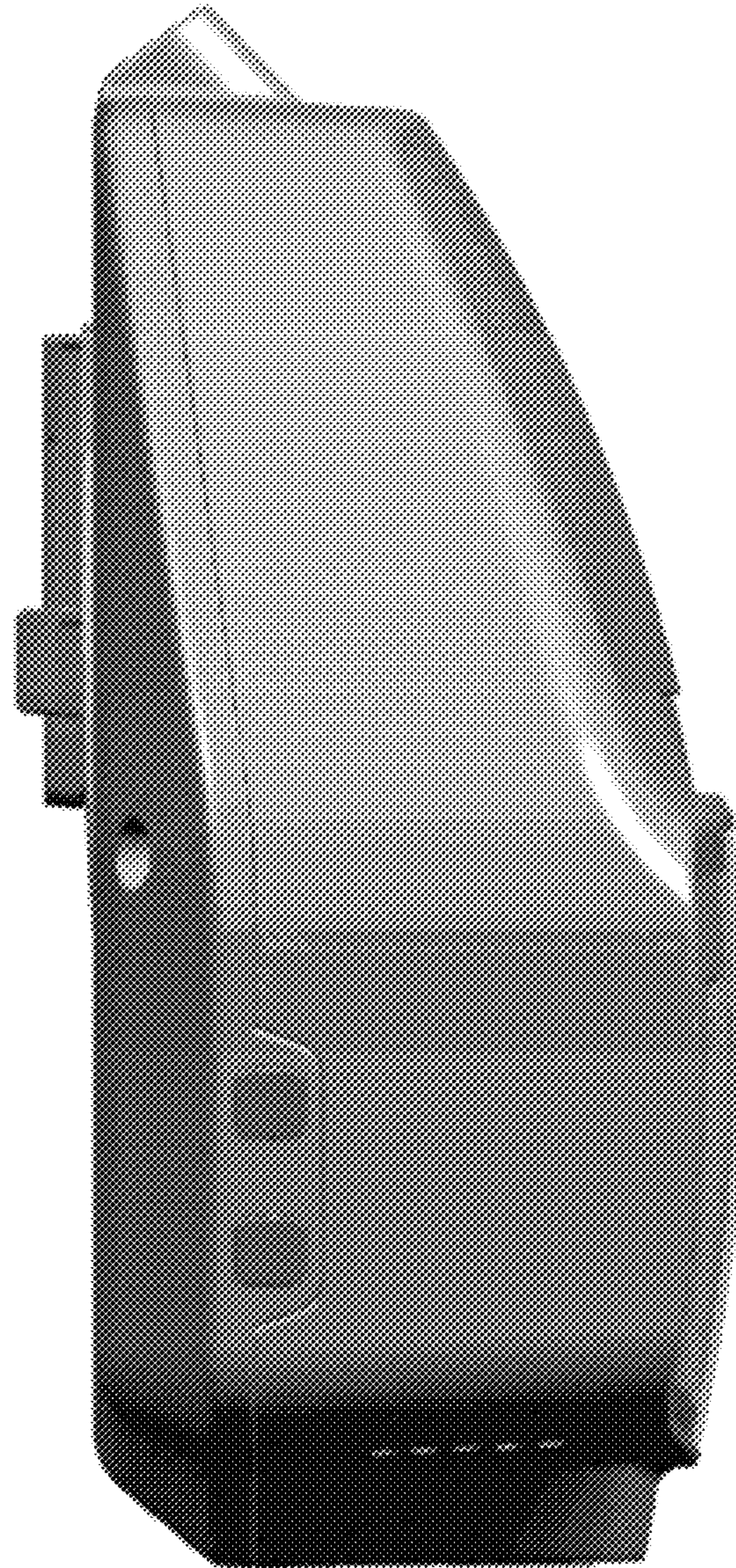
1.3



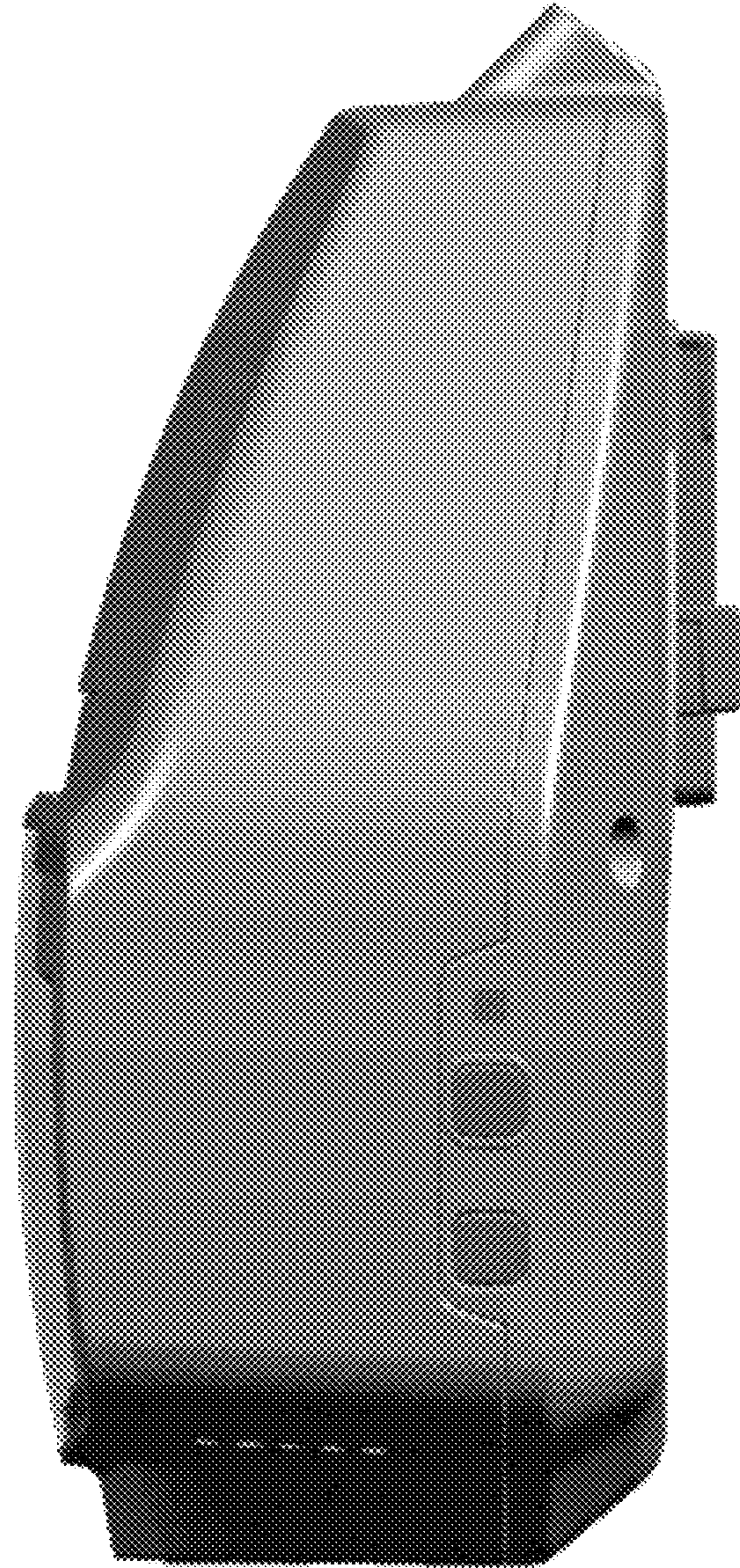
1.4



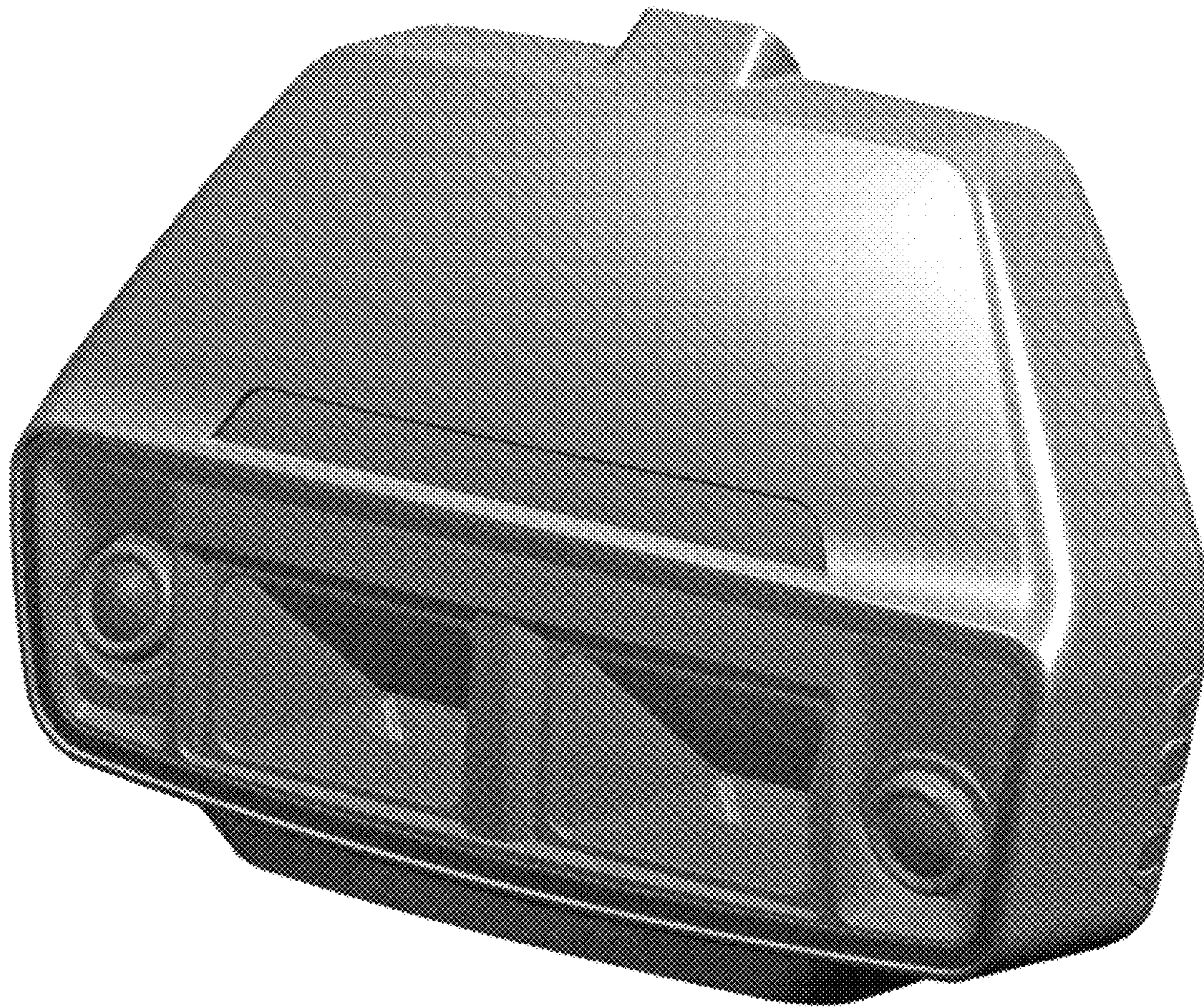
1.5



1.6



1.7



1.8

