



US00D806086S

(12) **United States Design Patent** (10) **Patent No.:** **US D806,086 S**
Garside (45) **Date of Patent:** **** Dec. 26, 2017**

(54) **MONITOR COVER**
(71) Applicant: **Michelle Garside**, Derry, NH (US)
(72) Inventor: **Michelle Garside**, Derry, NH (US)
(**) Term: **15 Years**
(21) Appl. No.: **29/554,023**
(22) Filed: **Feb. 6, 2016**
(51) **LOC (10) Cl.** **14-02**
(52) **U.S. Cl.**
USPC **D14/448**
(58) **Field of Classification Search**
USPC D14/371-382, 125-129, 341, 335-337,
D14/447-452, 492, 239, 457, 439-441,
D14/432, 251-253, 434; D6/610;
206/320, 586; D20/99; D3/303, 321;
128/849; D21/701
CPC G06F 3/0412; G06F 3/016; G06F 3/0488;
G06F 3/011; G06F 3/038; G06F 3/03543;
G06F 3/0338; G06F 3/0202; G06F
3/0219; G06F 3/0213; G06F 1/1616;
G06F 3/023; G06F 3/04883; G02F
1/13338; G02F 1/1313; G02F 1/1333;
G02F 1/135; G02F 1/132; G02F
1/133308; G02F 1/134309; G02F
1/13718; G09G 3/3648; G06K 15/1252;
B41J 2/465; G03F 7/70291; G02B
27/0172; G02B 5/30; G02B 2027/0118;
G02B 27/0101; F16M 13/02; F16M
13/00; F16M 11/10; F16M 11/04; F16M
2200/08; F16M 11/2021; A47B 21/0314;
A47B 88/044; A47B 2021/0335; H02G
3/126; F16B 47/00; F16B 47/006; A47G
1/17; A47K 2201/00
See application file for complete search history.

(56) **References Cited**
U.S. PATENT DOCUMENTS
3,166,112 A * 1/1965 Fisher E03D 1/01
4/251.2
D340,580 S * 10/1993 Hirschy D3/321

D377,788 S * 2/1997 Carlson D14/440
5,759,644 A 6/1998 Stanley
5,772,293 A 6/1998 Hughes
5,894,878 A 4/1999 Morgan et al.
6,188,540 B1 2/2001 Coons
6,209,973 B1 4/2001 Steinberg
6,402,269 B1 6/2002 Roth
6,691,843 B2 * 2/2004 Nykoluk A45C 13/02
190/127
D504,256 S * 4/2005 Ritossa D6/610
(Continued)

FOREIGN PATENT DOCUMENTS

WO 0228236 4/2002
WO 2006082427 8/2006

Primary Examiner — Garth Rademaker
Assistant Examiner — Katie Stofko
(74) *Attorney, Agent, or Firm* — Gary E. Lambert; David
J. Connaughton, Jr.; Lambert & Associates

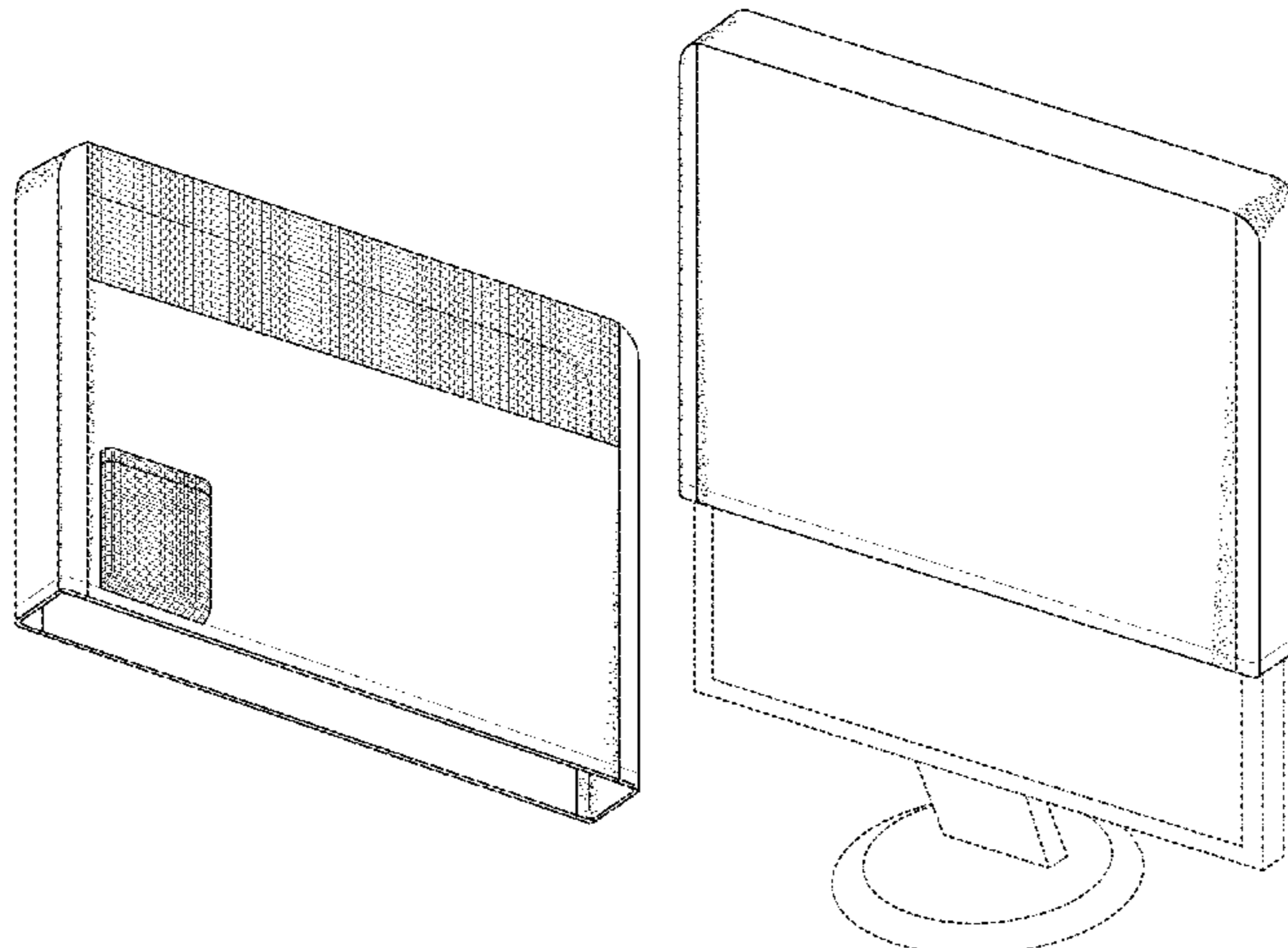
(57) **CLAIM**

The ornamental design for a monitor cover, as shown and described.

DESCRIPTION

FIG. 1 is a front perspective view of a monitor cover;
FIG. 2 is a back perspective view thereof;
FIG. 3 is a front elevation view thereof;
FIG. 4 is a back elevation view thereof;
FIG. 5 is a right side elevation view thereof;
FIG. 6 is a left side elevation view thereof;
FIG. 7 is a top plan view thereof;
FIG. 8 is a bottom plan view thereof; and,
FIG. 9 is a front perspective view thereof shown in an
environment of use.
The monitor depicted by broken lines in FIG. 9 is shown for
the purpose of illustrating an environmental feature that
forms no part of the claimed design.

1 Claim, 4 Drawing Sheets



(56)

References Cited

U.S. PATENT DOCUMENTS

D513,879	S *	1/2006	Waples	D3/321
D567,245	S *	4/2008	Edwards	D14/448
D577,532	S *	9/2008	Deeble	D6/610
D634,327	S *	3/2011	Connard	D14/448
D664,129	S *	7/2012	Mora	D14/239
8,910,680	B1	12/2014	Jacobs	
D744,042	S *	11/2015	Kreindel	D20/99
D772,882	S *	11/2016	Paschke	D14/440
2002/0053861	A1	5/2002	Steinberg	
2005/0189247	A1*	9/2005	Traugh	G06F 1/181 206/320
2010/0212790	A1	8/2010	Berry et al.	

* cited by examiner

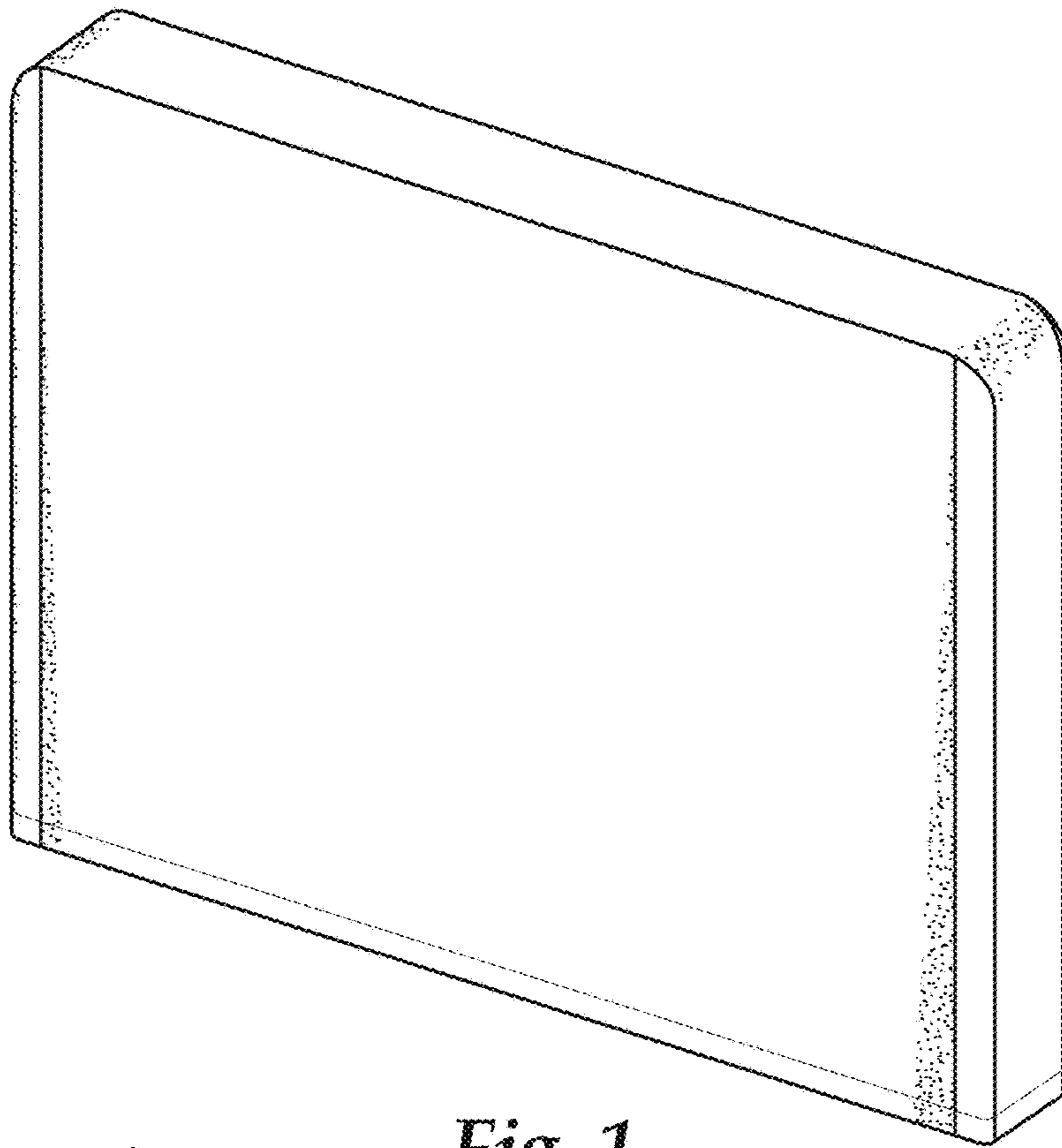


Fig. 1

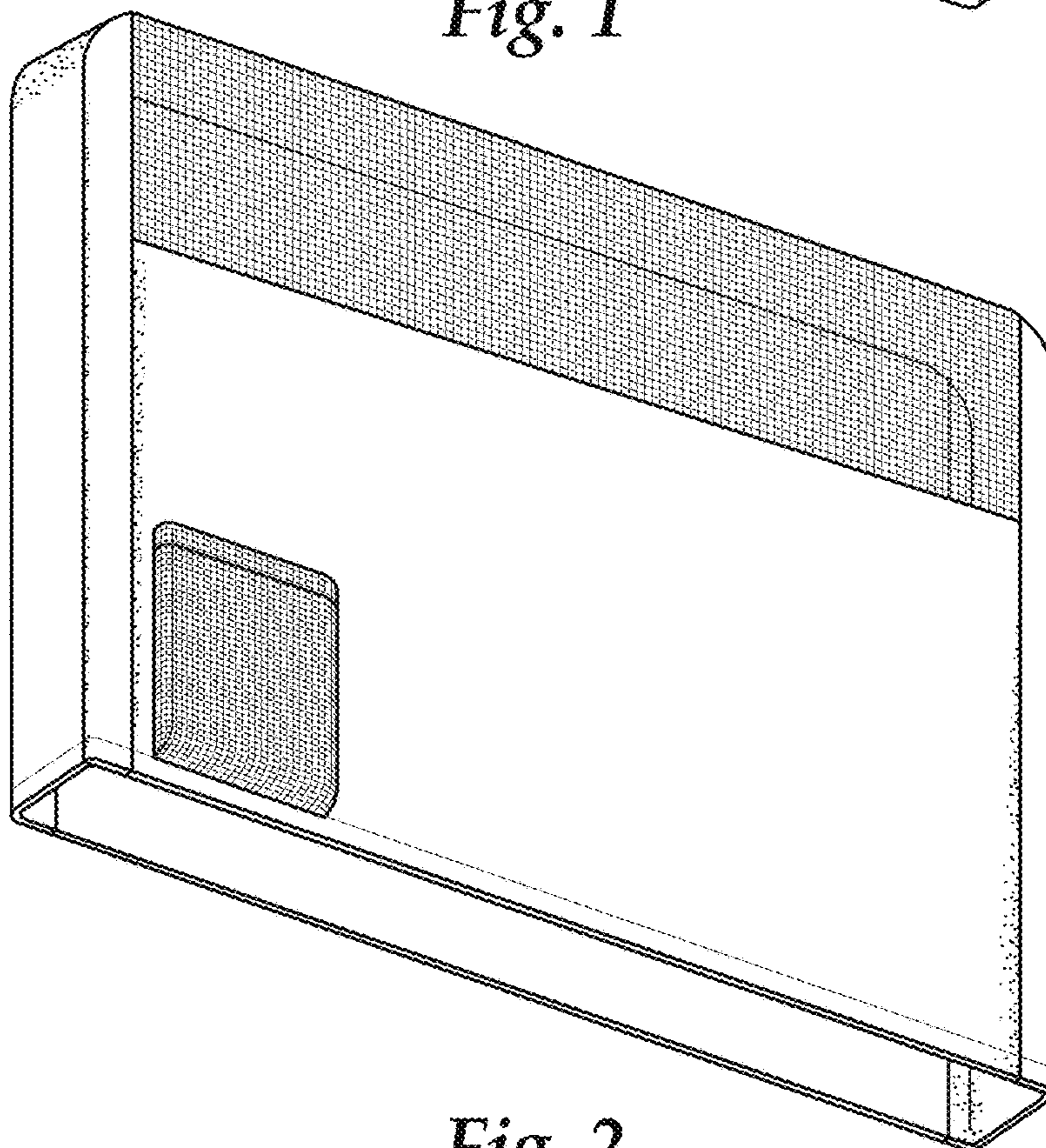


Fig. 2



Fig. 3

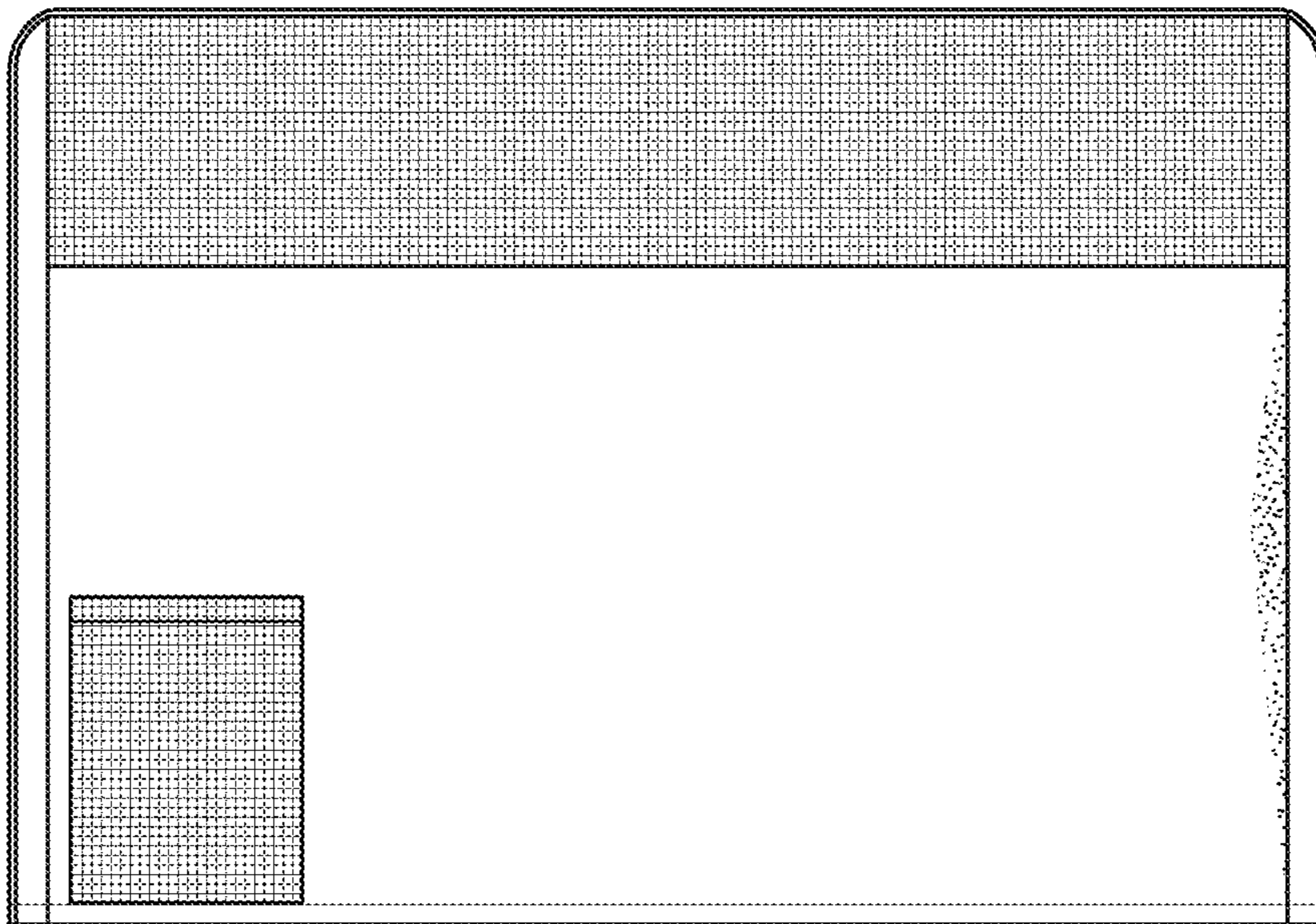


Fig. 4

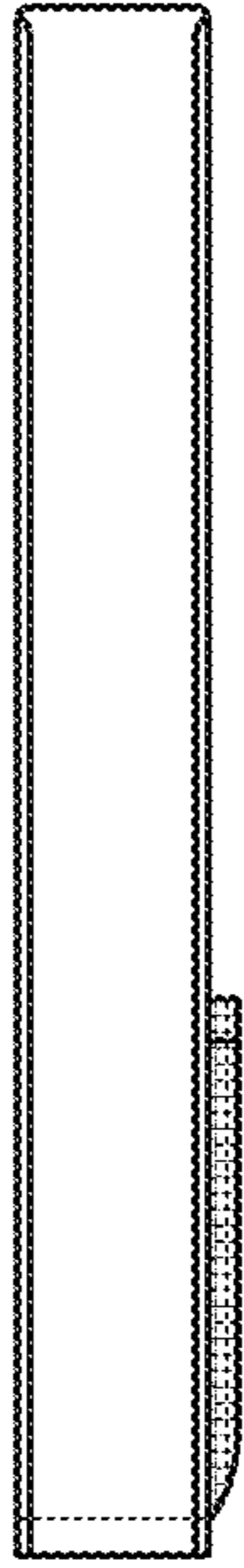


Fig. 5



Fig. 6



Fig. 7



Fig. 8

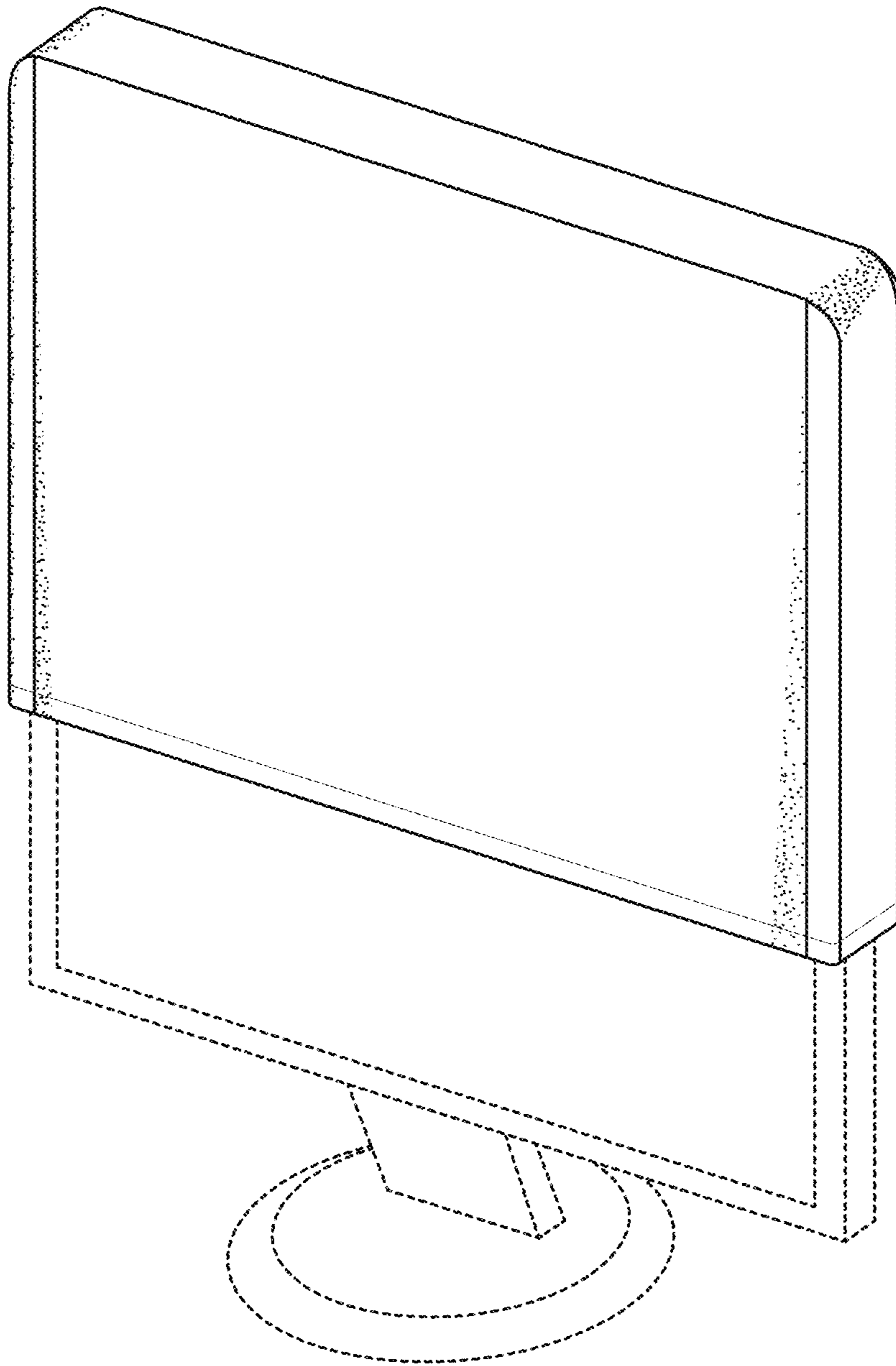


Fig. 9