



US00D806085S

(12) **United States Design Patent** (10) **Patent No.:** **US D806,085 S**
Nelson et al. (45) **Date of Patent:** **** Dec. 26, 2017**

(54) **STAND FOR HANDHELD ELECTRONIC DEVICE**

D587,188 S * 2/2009 Mo D12/415
D589,964 S 4/2009 Heggland et al.
D594,251 S 6/2009 Leyden
D602,024 S 10/2009 Richter

(71) Applicant: **Mobile Tech, Inc.**, Lake Oswego, OR (US)

(Continued)

(72) Inventors: **Ed Nelson**, Hillsboro, OR (US); **Mitch Hose**, Hillsboro, OR (US); **Lincoln Wilde**, Hillsboro, OR (US)

FOREIGN PATENT DOCUMENTS

GB 4031459 8/2013
GB 4042068 7/2015

(73) Assignee: **Mobile Tech, Inc.**, Lake Oswego, OR (US)

Primary Examiner — Angela J Lee

(74) *Attorney, Agent, or Firm* — Thompson Coburn LLP

(**) Term: **15 Years**

(57) **CLAIM**

The ornamental design for a stand for handheld electronic device, as shown and described.

(21) Appl. No.: **29/605,583**

DESCRIPTION

(22) Filed: **May 26, 2017**

(51) **LOC (10) Cl.** **08-07**

(52) **U.S. Cl.**

USPC **D14/447**

(58) **Field of Classification Search**

USPC D14/447, 432, 434, 439, 440, 451, 452, D14/457, 239; D8/363, 373, 380, 406.3, D8/406.4, 406.5, 406.6; D12/415

CPC A47B 21/04; A47B 2097/006; A47B 2097/005; A47B 2023/049; A45C 2011/002; A45C 2011/003; F16M 2200/00; F16M 13/00

See application file for complete search history.

FIG. 1 is a perspective view of a stand for handheld electronic device showing my new design; FIG. 2 is a front view thereof; FIG. 3 is a rear view thereof; FIG. 4 is a left side view thereof; FIG. 5 is a right side view thereof; FIG. 6 is a top view thereof; FIG. 7 is a bottom view thereof; FIG. 8 is the stand for handheld electronic device in a second configuration; FIG. 9 is the stand for handheld electronic device in a third configuration; and, FIG. 10 is the stand for handheld electronic device in a fourth configuration.

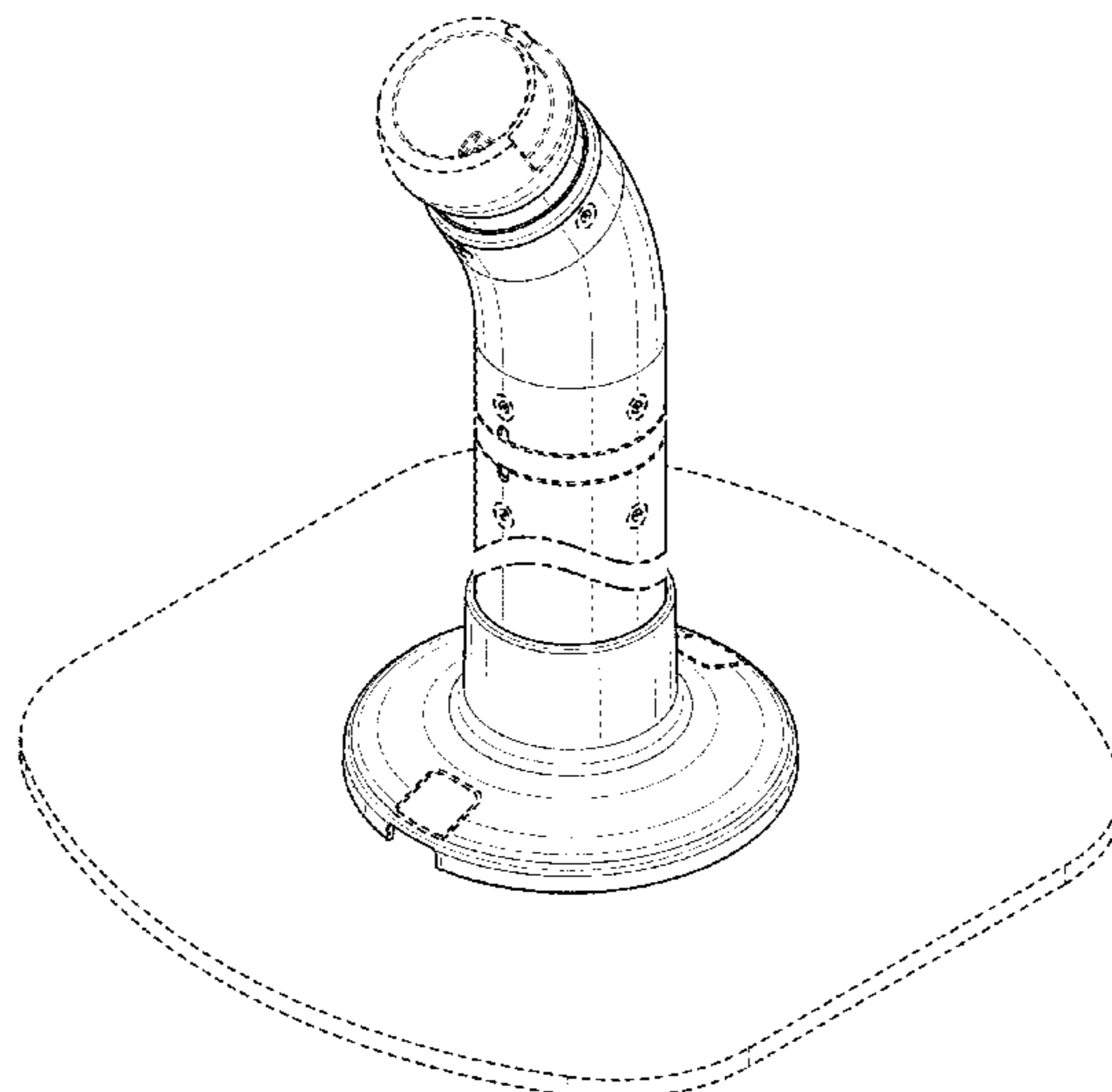
The lower portion of the stand is shown with symbolic breaks in its length. The appearance of any portion of the article between the two break lines forms no part of the claimed design. The broken lines immediately adjacent the shaded areas represent the bounds of the claimed design while all other broken lines are directed to environment and are for illustrative purposes only; the broken lines form no part of the claimed design.

(56) **References Cited**

U.S. PATENT DOCUMENTS

D309,307 S 7/1990 Sigurdson
D337,333 S 7/1993 Turk
D495,536 S 9/2004 Lucht
D522,010 S 5/2006 Piazza et al.
D545,825 S * 7/2007 Richter D14/251
D545,826 S * 7/2007 Richter D14/251
D562,331 S * 2/2008 Li D14/451
D567,810 S 4/2008 Yeh
D576,615 S 9/2008 Richter

1 Claim, 10 Drawing Sheets



(56)

References Cited

U.S. PATENT DOCUMENTS

D602,025 S	*	10/2009	Richter	D14/253	D704,156 S		5/2014	Lee et al.	
D614,613 S		4/2010	Kim et al.			D704,713 S	*	5/2014	Liniger D14/447
D619,586 S	*	7/2010	Richter	D14/253	D709,066 S		7/2014	Byun	
D620,038 S		7/2010	Rix			D709,074 S	*	7/2014	Tsui D14/447
D629,405 S	*	12/2010	Crysell	D14/447	D724,072 S		3/2015	Jiang et al.	
D641,773 S		7/2011	Rix			D724,598 S		3/2015	Gelsomini et al.	
D644,681 S		9/2011	Rix			D727,333 S	*	4/2015	Shih D14/447
D663,306 S		7/2012	Barbieri			D729,222 S		5/2015	Grziwok et al.	
D663,972 S		7/2012	Alexander et al.			D733,156 S		6/2015	Choi et al.	
D671,545 S		11/2012	Guran			D733,157 S		6/2015	Kim et al.	
D678,297 S		3/2013	Willkomm			D733,526 S		7/2015	Delrue et al.	
D686,216 S		7/2013	Hachadorian et al.			D744,621 S		12/2015	Shavatt et al.	
D687,441 S		8/2013	Janzen			D748,098 S		1/2016	Khodapanah et al.	
D690,306 S		9/2013	Malisse et al.			D749,080 S	*	2/2016	Su D14/447
D691,150 S		10/2013	Stener			D756,152 S		5/2016	Schwalbach et al.	
D691,839 S		10/2013	Dallenbach			D771,614 S	*	11/2016	Chang D14/253
D693,352 S		11/2013	Gelsomini et al.			D772,739 S	*	11/2016	Browning D10/74
D696,674 S		12/2013	Vogel			D774,037 S		12/2016	Kang et al.	
						D792,413 S		7/2017	Floersch et al.	
						D792,414 S		7/2017	Floersch et al.	
						2014/0059828 A1		3/2014	Reynolds et al.	

* cited by examiner

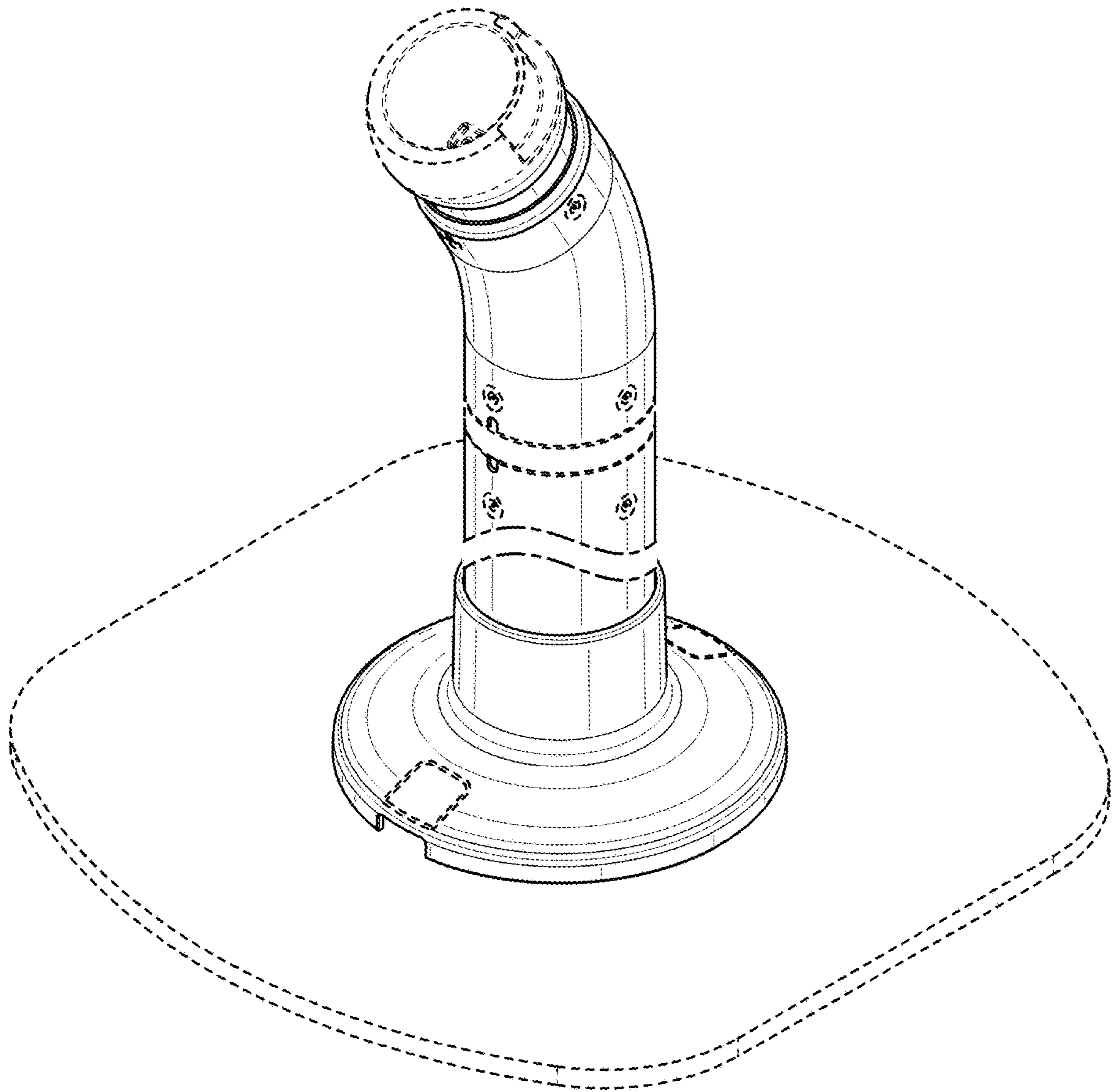


FIG. 1

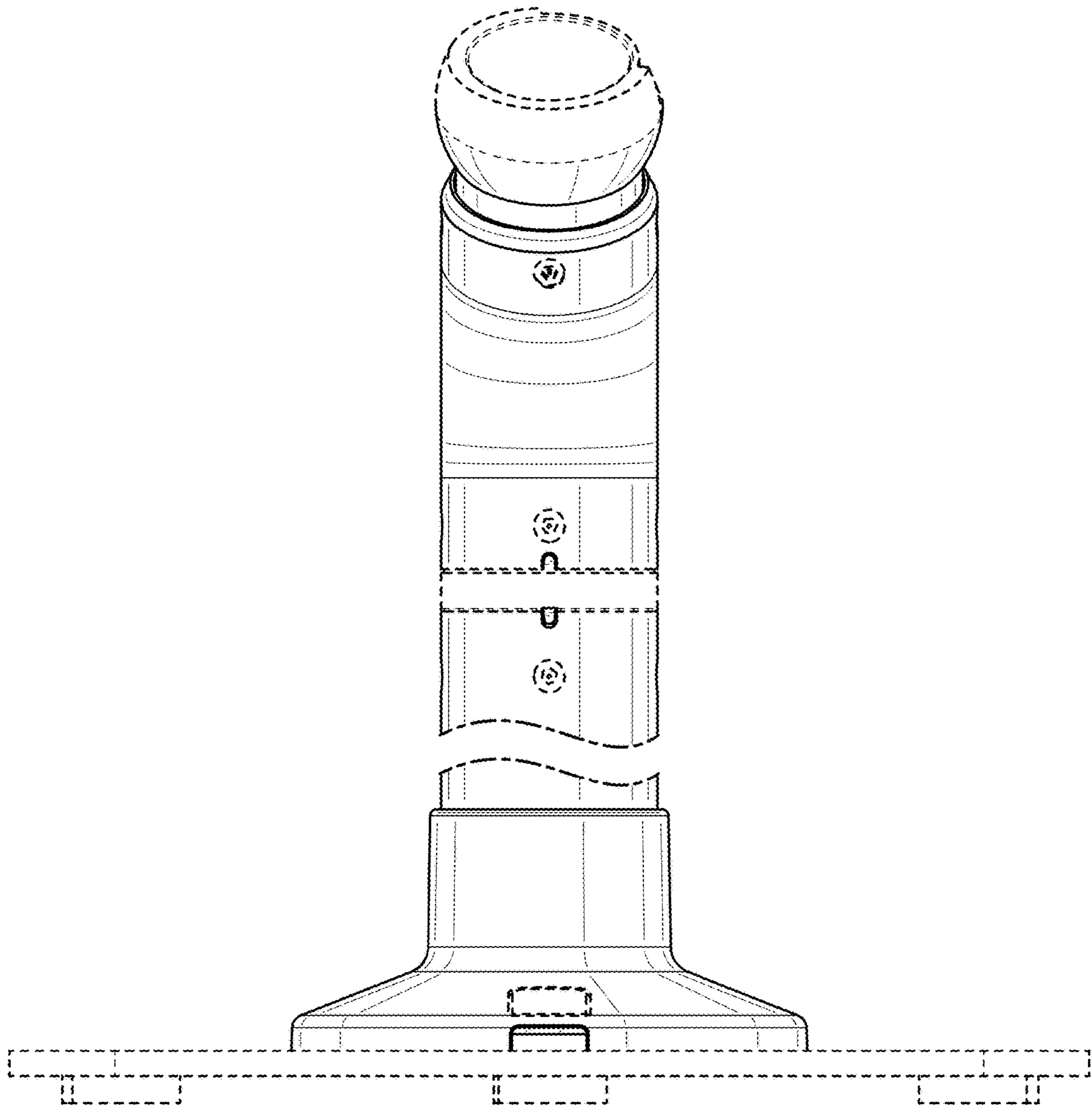


FIG. 2

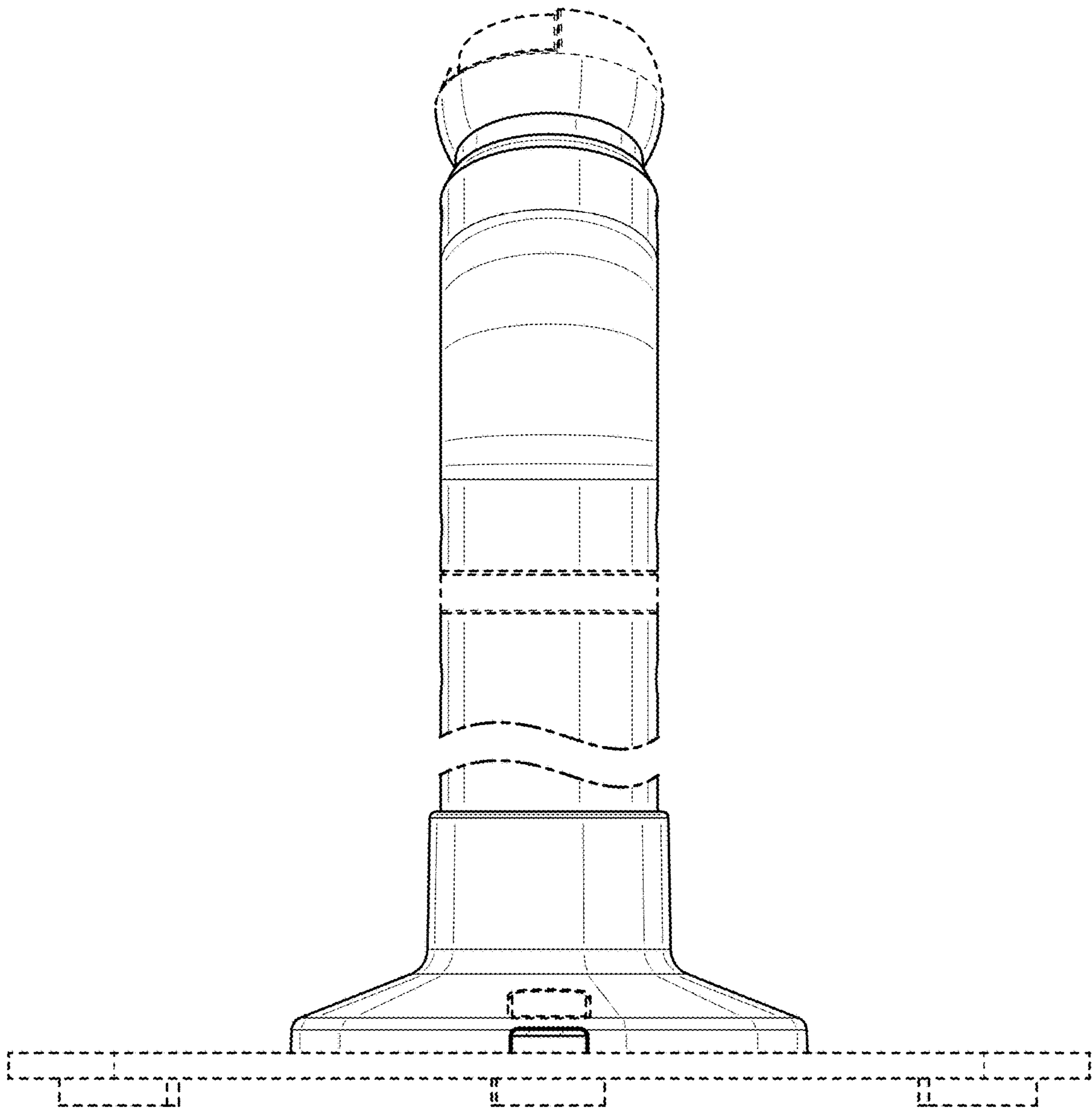


FIG. 3

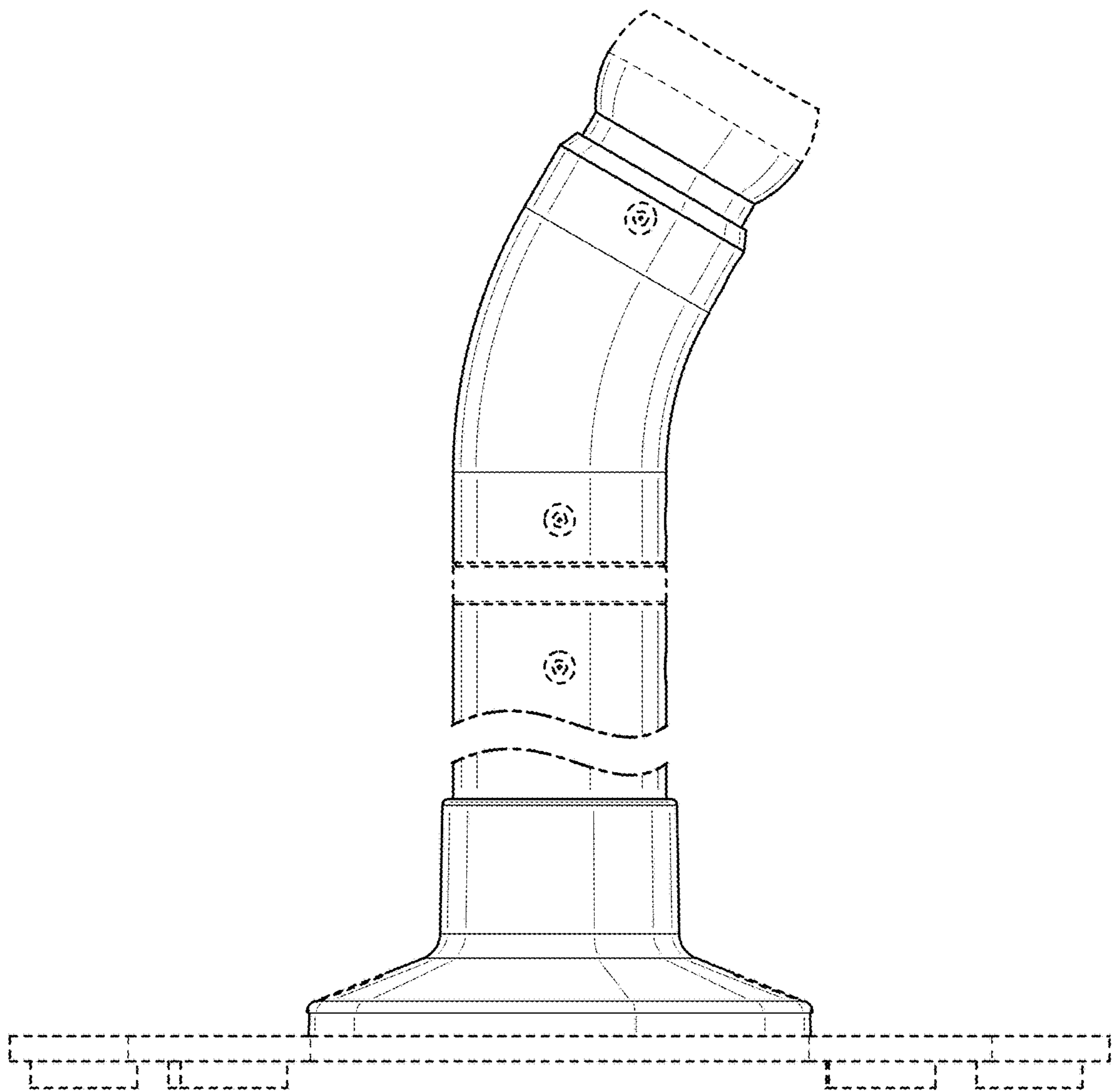


FIG. 4

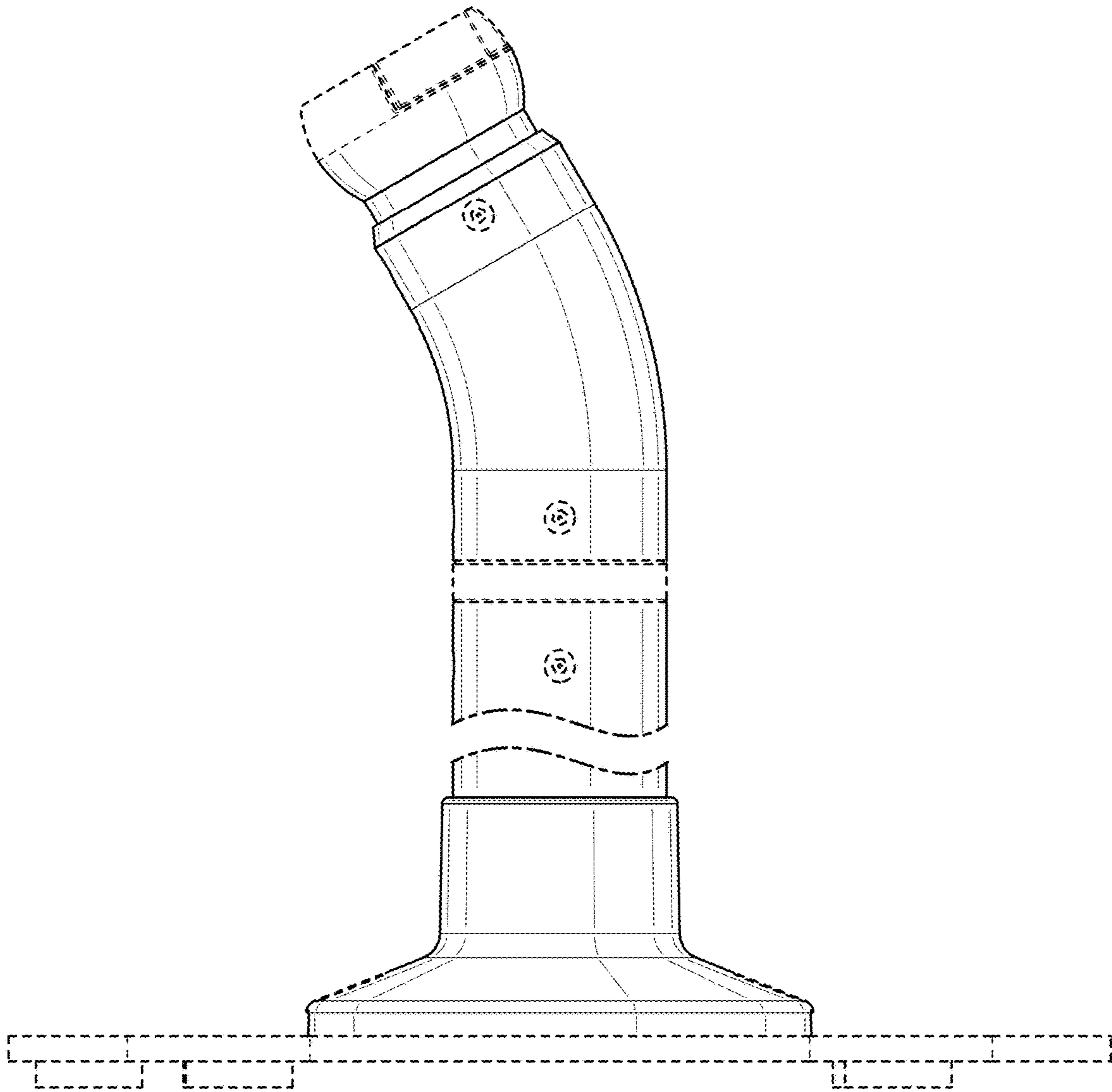


FIG. 5

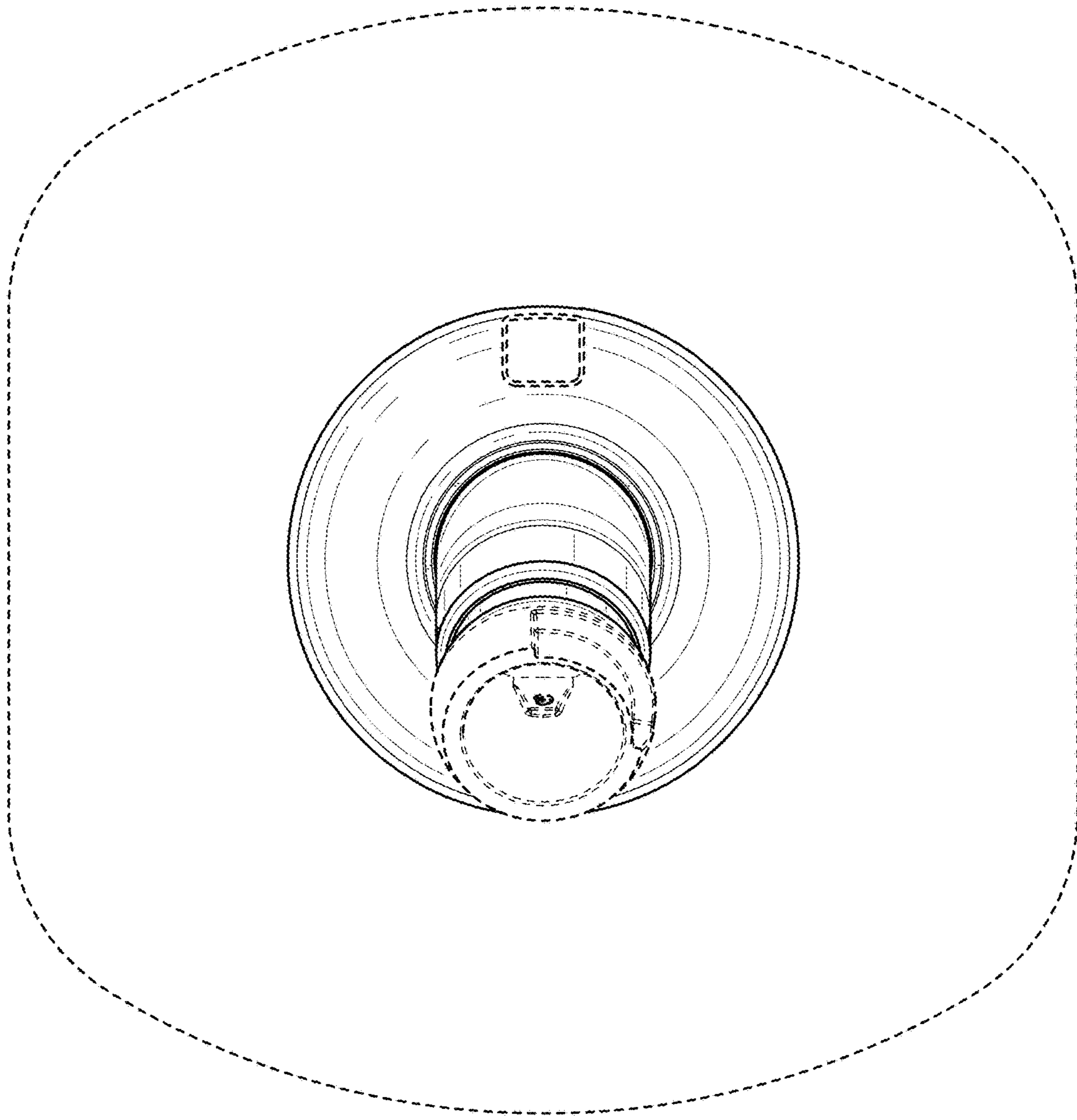


FIG. 6

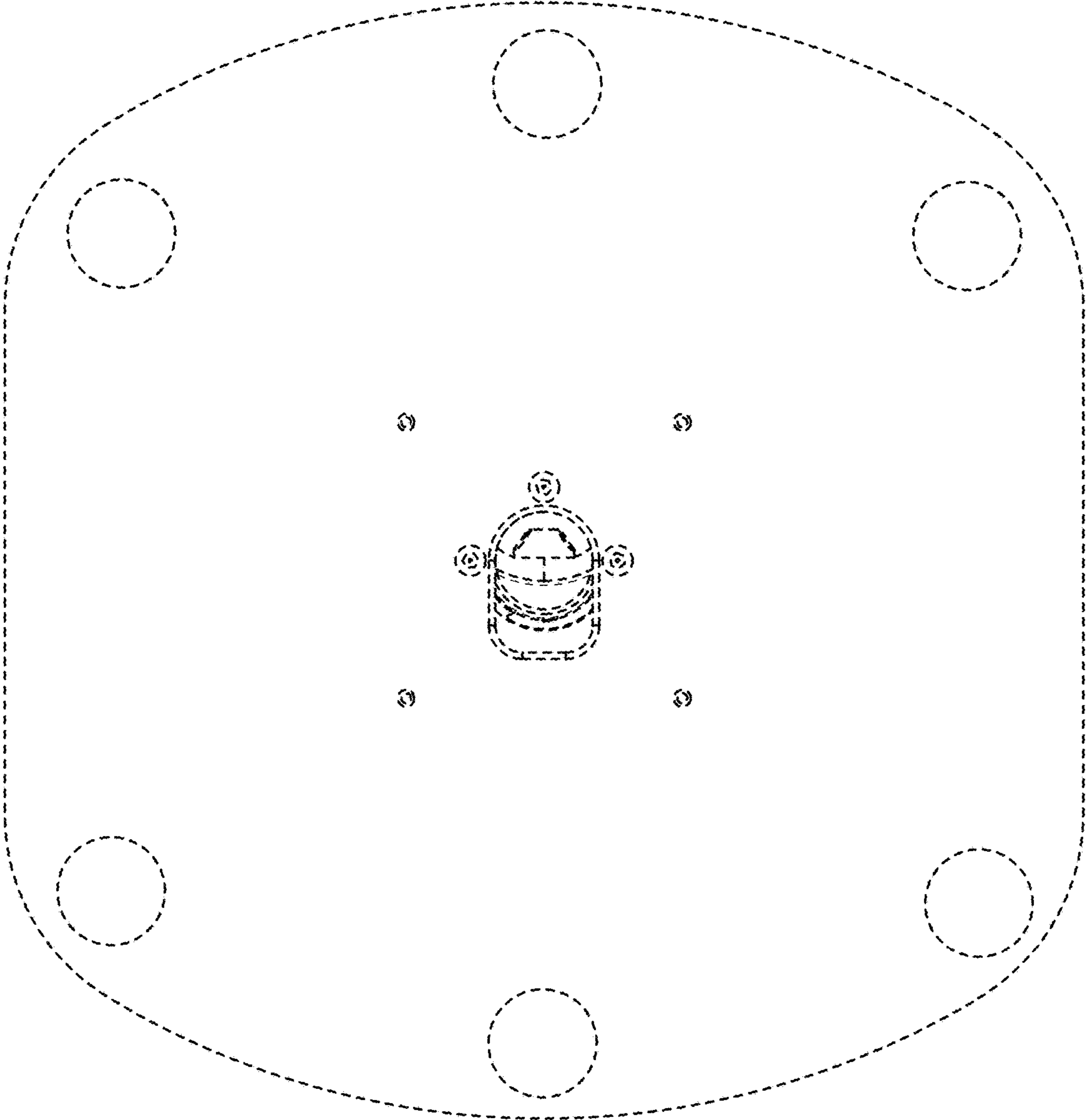


FIG. 7

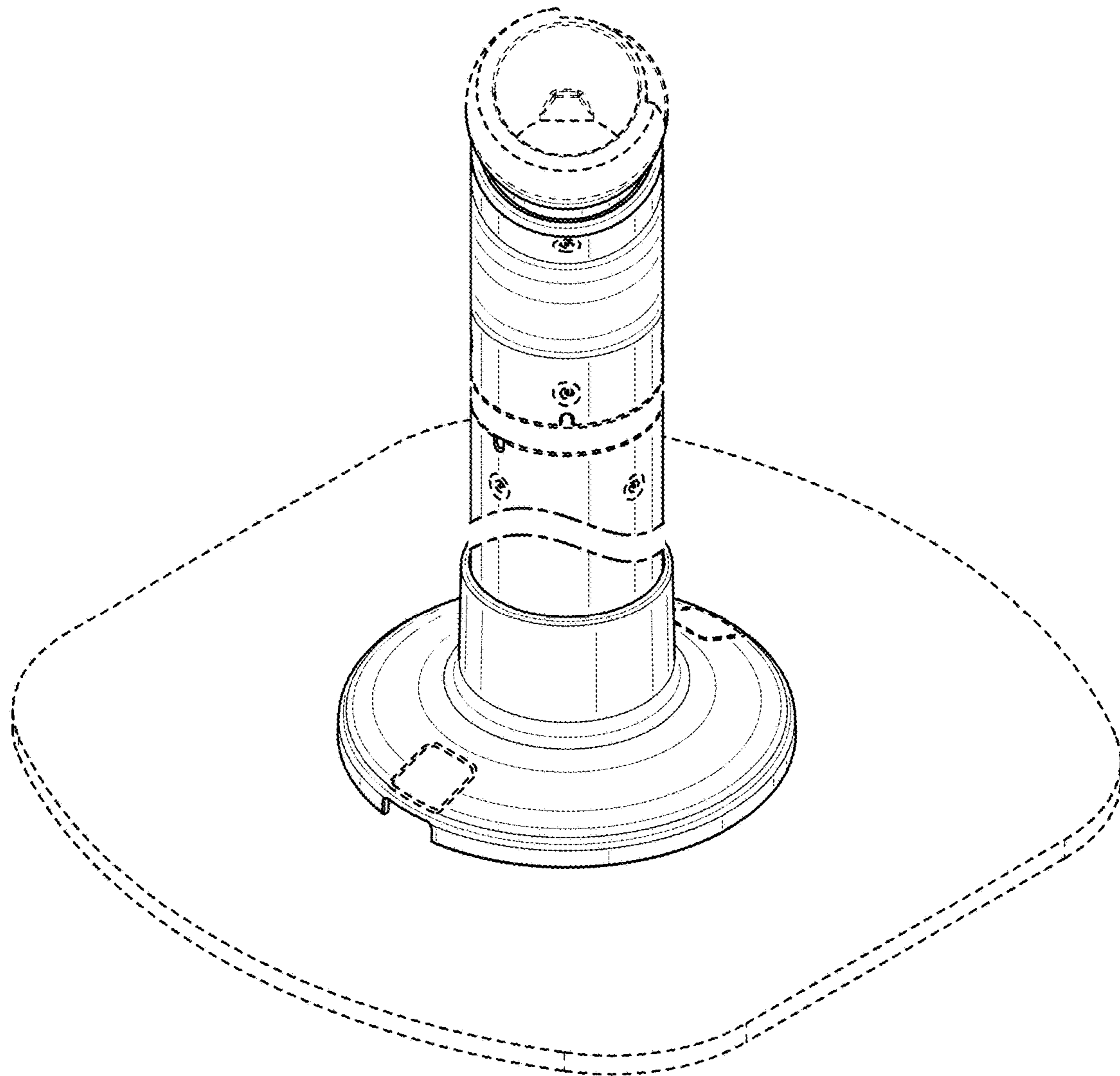


FIG. 8

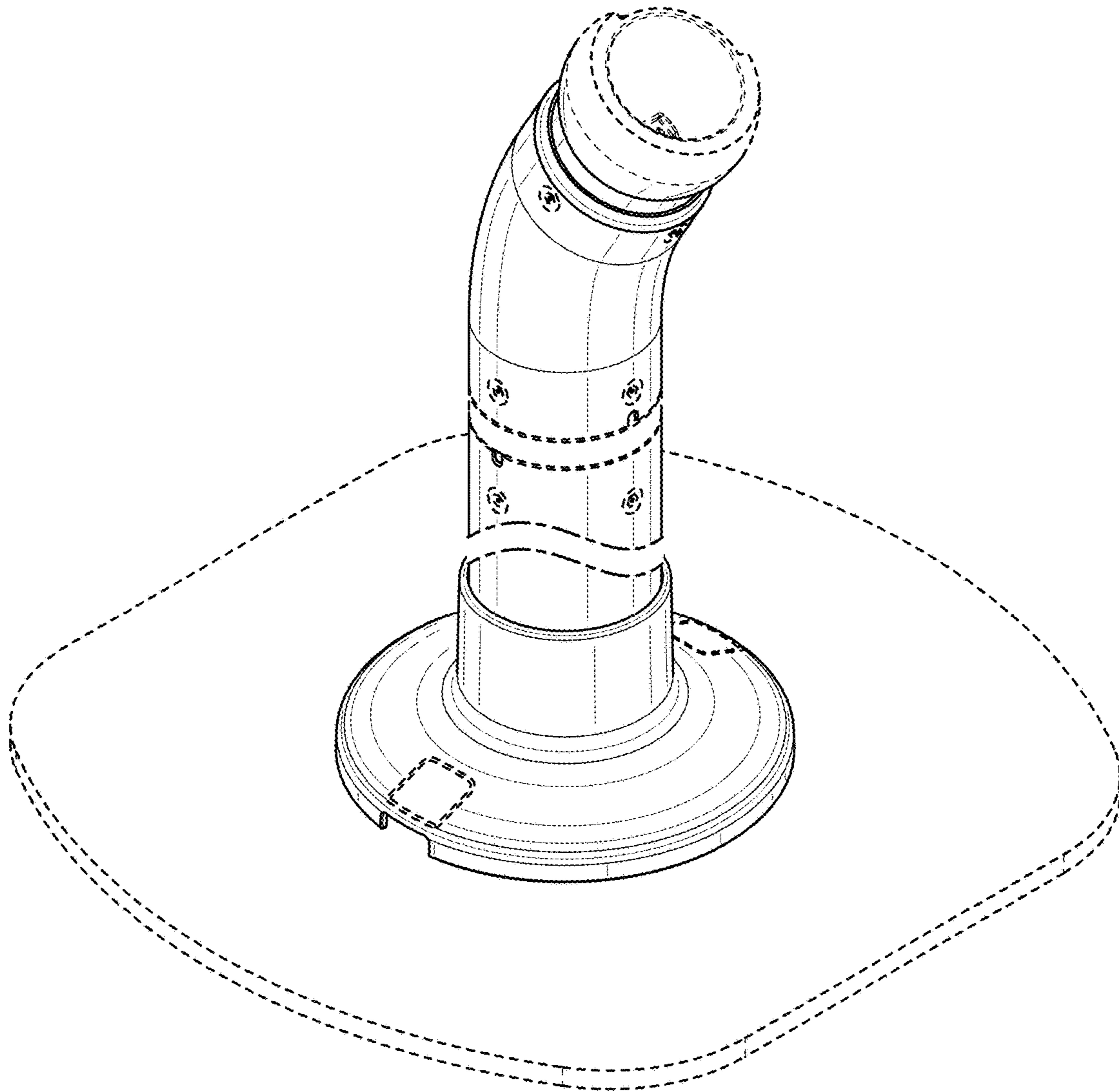


FIG. 9

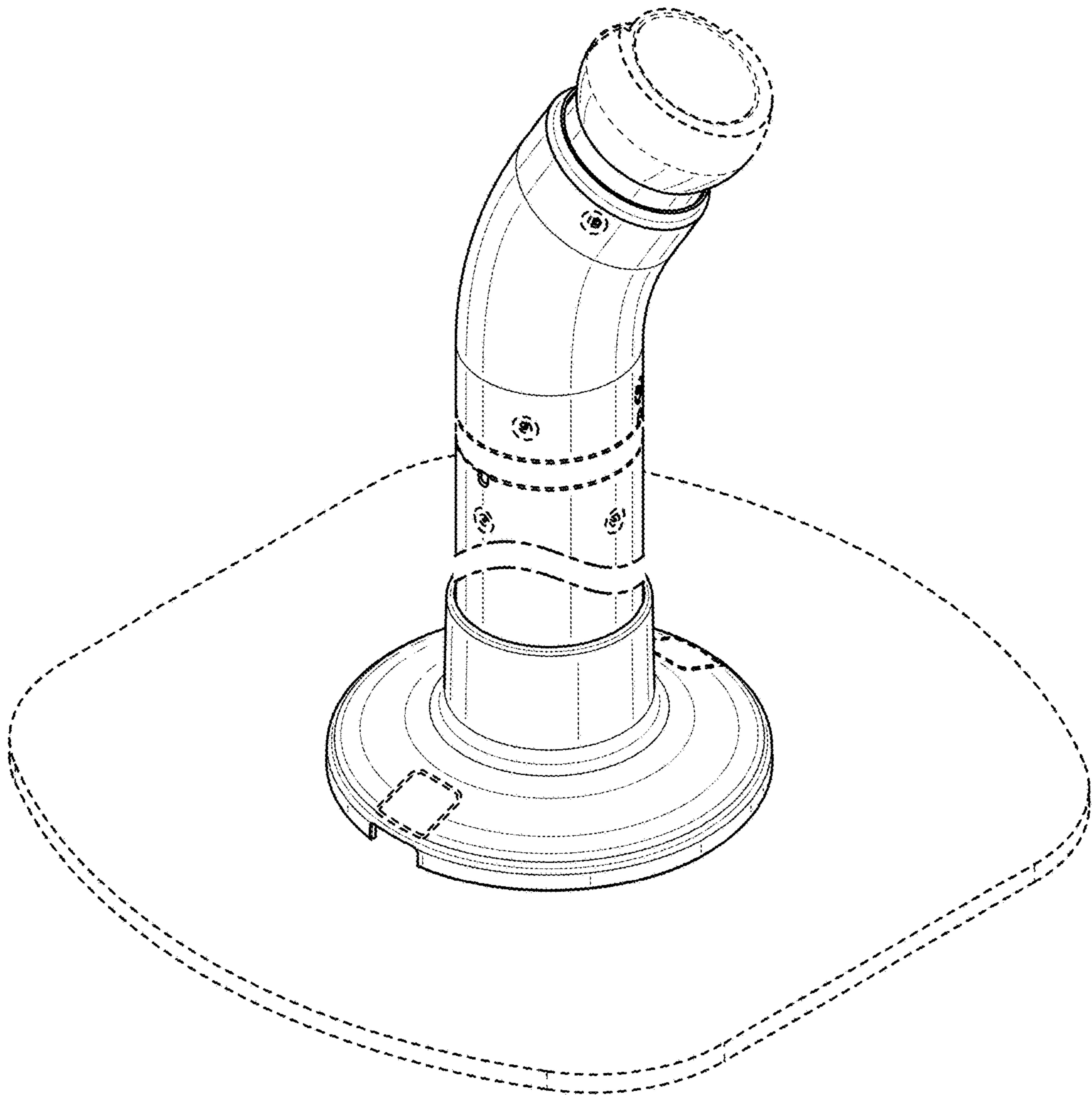


FIG. 10