



US00D806084S

(12) **United States Design Patent** (10) **Patent No.:** **US D806,084 S**  
**Nelson et al.** (45) **Date of Patent:** **\*\* Dec. 26, 2017**

(54) **STAND FOR HANDHELD ELECTRONIC DEVICE**  
(71) Applicant: **Mobile Tech, Inc.**, Lake Oswego, OR (US)  
(72) Inventors: **Ed Nelson**, Hillsboro, OR (US); **Mitch Hose**, Hillsboro, OR (US); **Lincoln Wilde**, Hillsboro, OR (US)  
(73) Assignee: **Mobile Tech, Inc.**, Lake Oswego, OR (US)

D567,810 S \* 4/2008 Yeh ..... D14/253  
D576,615 S 9/2008 Richter  
D587,188 S \* 2/2009 Mo ..... D12/415  
D589,964 S 4/2009 Heggland et al.  
D594,251 S 6/2009 Leyden  
D602,024 S 10/2009 Richter  
D602,025 S \* 10/2009 Richter ..... D14/253  
D614,613 S 4/2010 Kim et al.  
D619,586 S \* 7/2010 Richter ..... D14/253  
D620,038 S 7/2010 Rix  
D629,405 S 12/2010 Crysell  
D641,773 S 7/2011 Rix  
D644,681 S 9/2011 Rix  
D663,306 S \* 7/2012 Barbieri ..... D14/452  
(Continued)

(\*\*) Term: **15 Years**

(21) Appl. No.: **29/605,579**  
(22) Filed: **May 26, 2017**  
(51) **LOC (10) Cl.** ..... **08-07**  
(52) **U.S. Cl.**  
USPC ..... **D14/447**  
(58) **Field of Classification Search**  
USPC ..... D14/447, 432, 434, 439, 440, 451, 452, D14/457, 239; D8/363, 373, 380, 406.3, D8/406.4, 406.5, 406.6, 349, 376; D12/415  
CPC ..... A47B 21/04; A47B 2097/006; A47B 2097/005; A47B 2023/049; A45C 2011/002; A45C 2011/003; F16M 2200/00; F16M 13/00  
See application file for complete search history.

FOREIGN PATENT DOCUMENTS

GB 4031459 8/2013  
GB 4042068 7/2015

*Primary Examiner* — Angela J Lee  
(74) *Attorney, Agent, or Firm* — Thompson Coburn LLP

(57) **CLAIM**

The ornamental design for a stand for handheld electronic device, as shown and described.

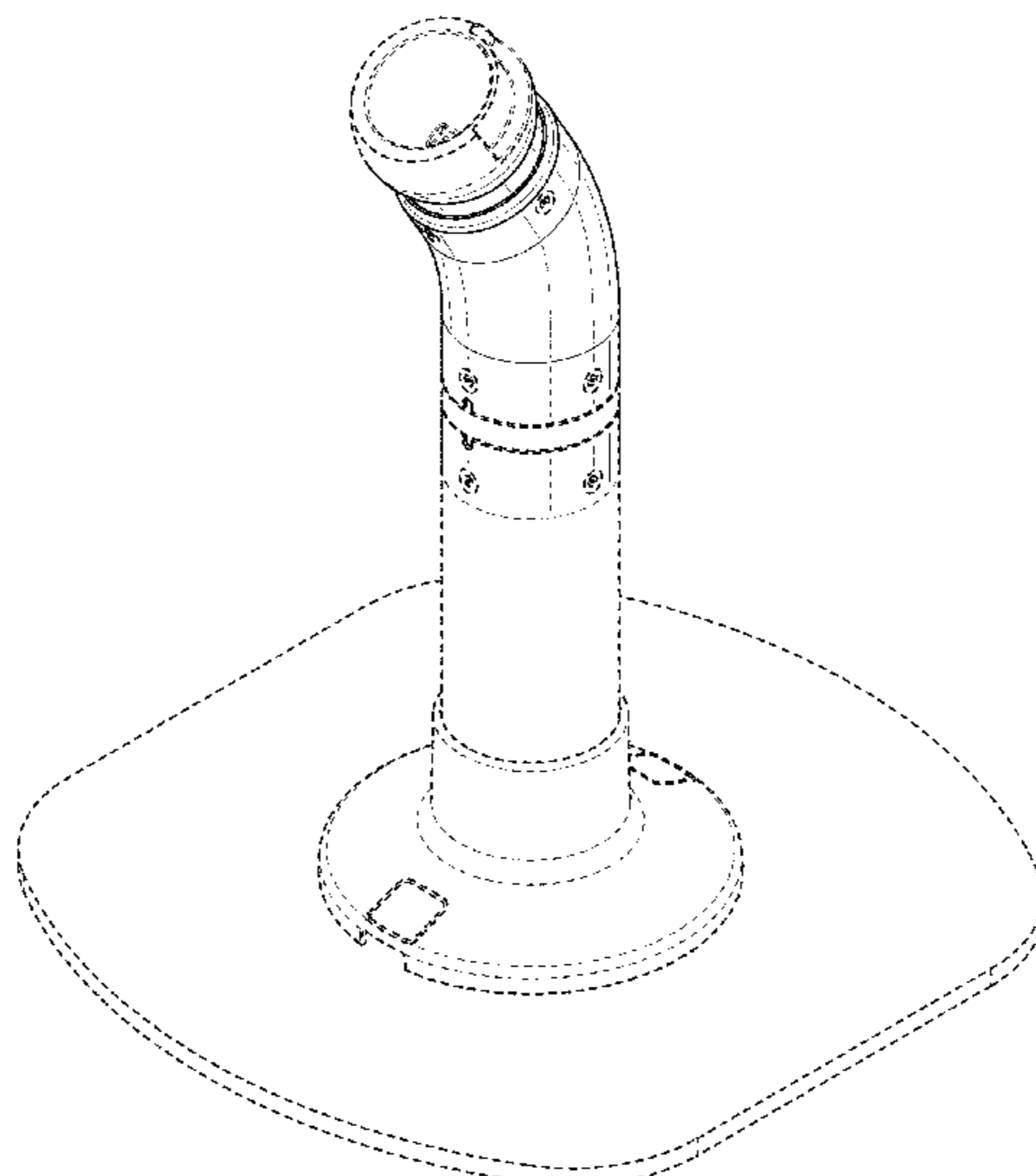
**DESCRIPTION**

FIG. 1 is a perspective view of a stand for handheld electronic device showing my new design;  
FIG. 2 is a front view thereof;  
FIG. 3 is a rear view thereof;  
FIG. 4 is a left side view thereof;  
FIG. 5 is a right side view thereof;  
FIG. 6 is a top view thereof; and,  
FIG. 7 is a bottom view thereof.  
The broken lines immediately adjacent the shaded areas represent the bounds of the claimed design while all other broken lines are directed to environment and are for illustrative purposes only; the broken lines form no part of the claimed design.

(56) **References Cited**  
U.S. PATENT DOCUMENTS

D309,307 S \* 7/1990 Sigurdson ..... 381/86  
D337,333 S \* 7/1993 Turk ..... D14/251  
D495,536 S 9/2004 Lucht  
D522,010 S 5/2006 Piazza et al.  
D545,825 S \* 7/2007 Richter ..... D14/251  
D545,826 S \* 7/2007 Richter ..... D14/251  
D562,331 S \* 2/2008 Li ..... D14/451

**1 Claim, 7 Drawing Sheets**



(56)

**References Cited**

## U.S. PATENT DOCUMENTS

D663,972 S	7/2012	Alexander et al.	
D671,545 S	11/2012	Guran	
D678,297 S	3/2013	Willkomm	
D686,216 S	7/2013	Hachadorian et al.	
D687,441 S	8/2013	Janzen	
D690,306 S	9/2013	Malisse et al.	
D691,150 S	10/2013	Stener	
D691,839 S	10/2013	Dallenbach	
D693,352 S	11/2013	Gelsomini et al.	
D696,674 S	12/2013	Vogel	
D704,156 S	5/2014	Lee et al.	
D704,713 S *	5/2014	Liniger .....	D14/447
D709,066 S	7/2014	Byun	
D709,074 S *	7/2014	Tsui .....	D14/447
D724,072 S	3/2015	Jiang et al.	
D724,598 S	3/2015	Gelsomini et al.	
D727,333 S *	4/2015	Shih .....	D14/447
D729,222 S *	5/2015	Grziwok .....	D14/253
D733,156 S	6/2015	Choi et al.	
D733,157 S	6/2015	Kim et al.	
D733,526 S	7/2015	Delrue et al.	
D744,621 S	12/2015	Shavatt et al.	
D748,098 S	1/2016	Khodapanah et al.	
D749,080 S *	2/2016	Su .....	D14/447
D756,152 S	5/2016	Schwalbach et al.	
D771,614 S *	11/2016	Chang .....	D14/253
D772,739 S *	11/2016	Browning .....	D10/74
D774,037 S	12/2016	Kang et al.	
D792,413 S	7/2017	Floersch et al.	
D792,414 S	7/2017	Floersch et al.	
2014/0059828 A1	3/2014	Reynolds et al.	

\* cited by examiner

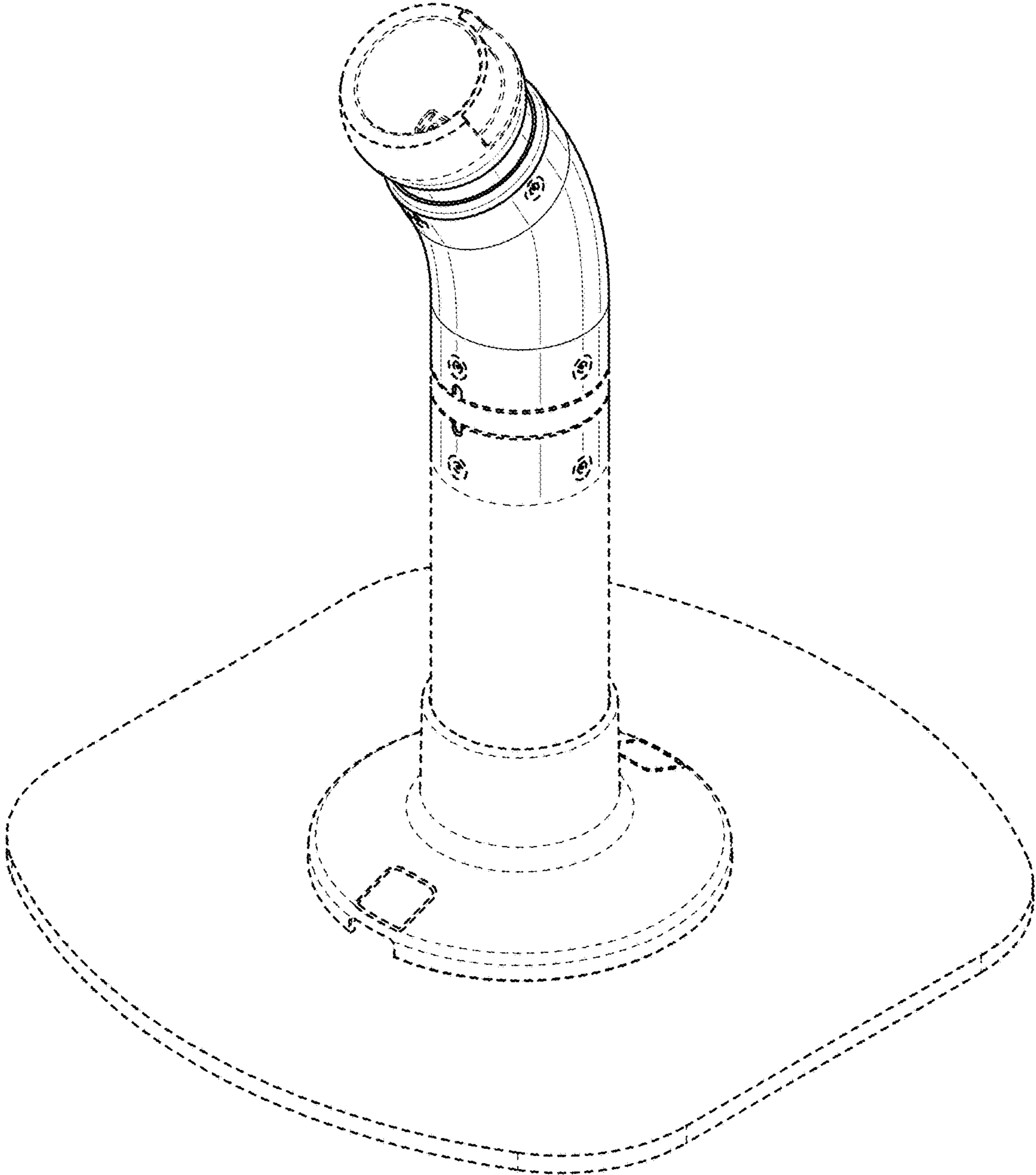


FIG. 1

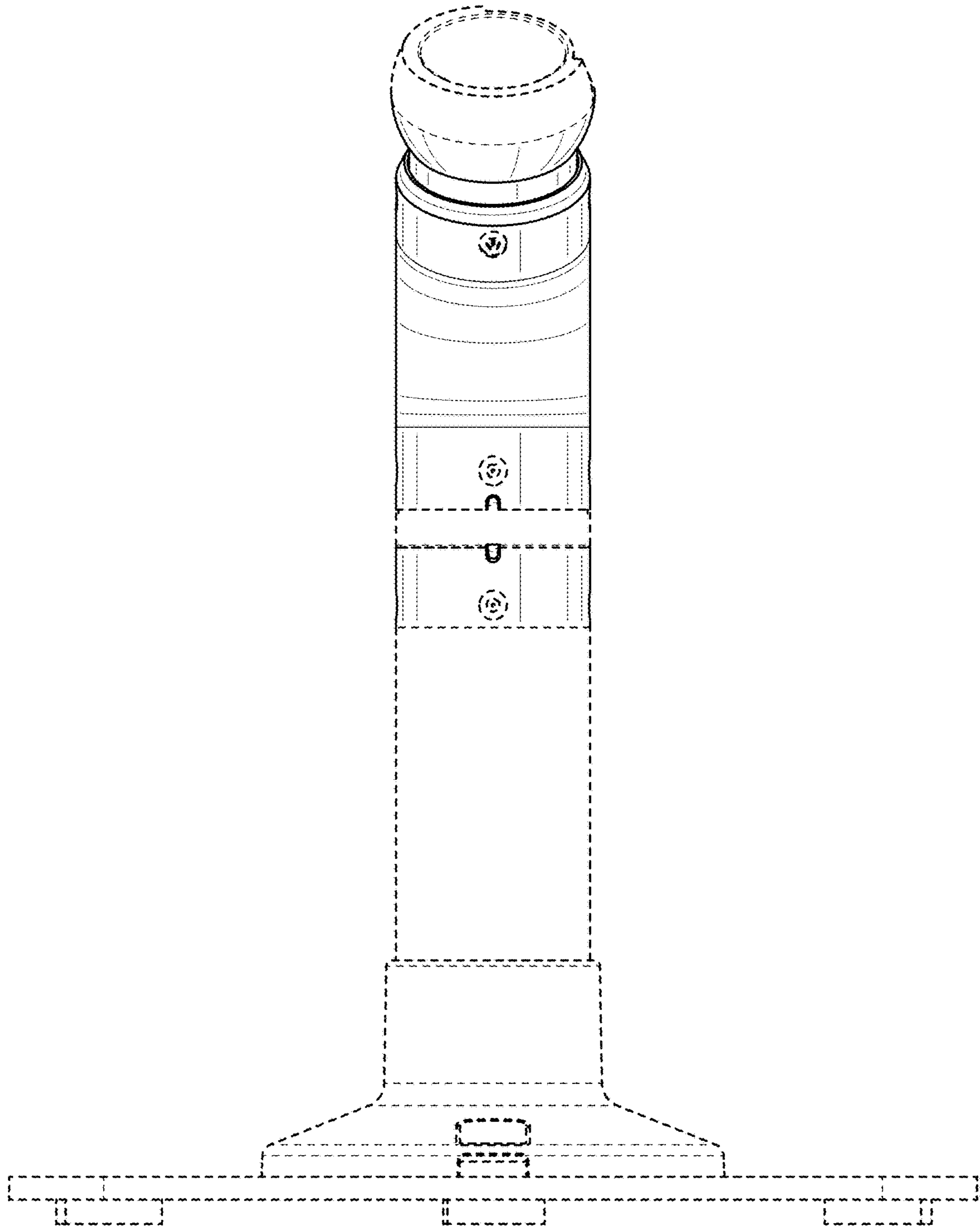


FIG. 2

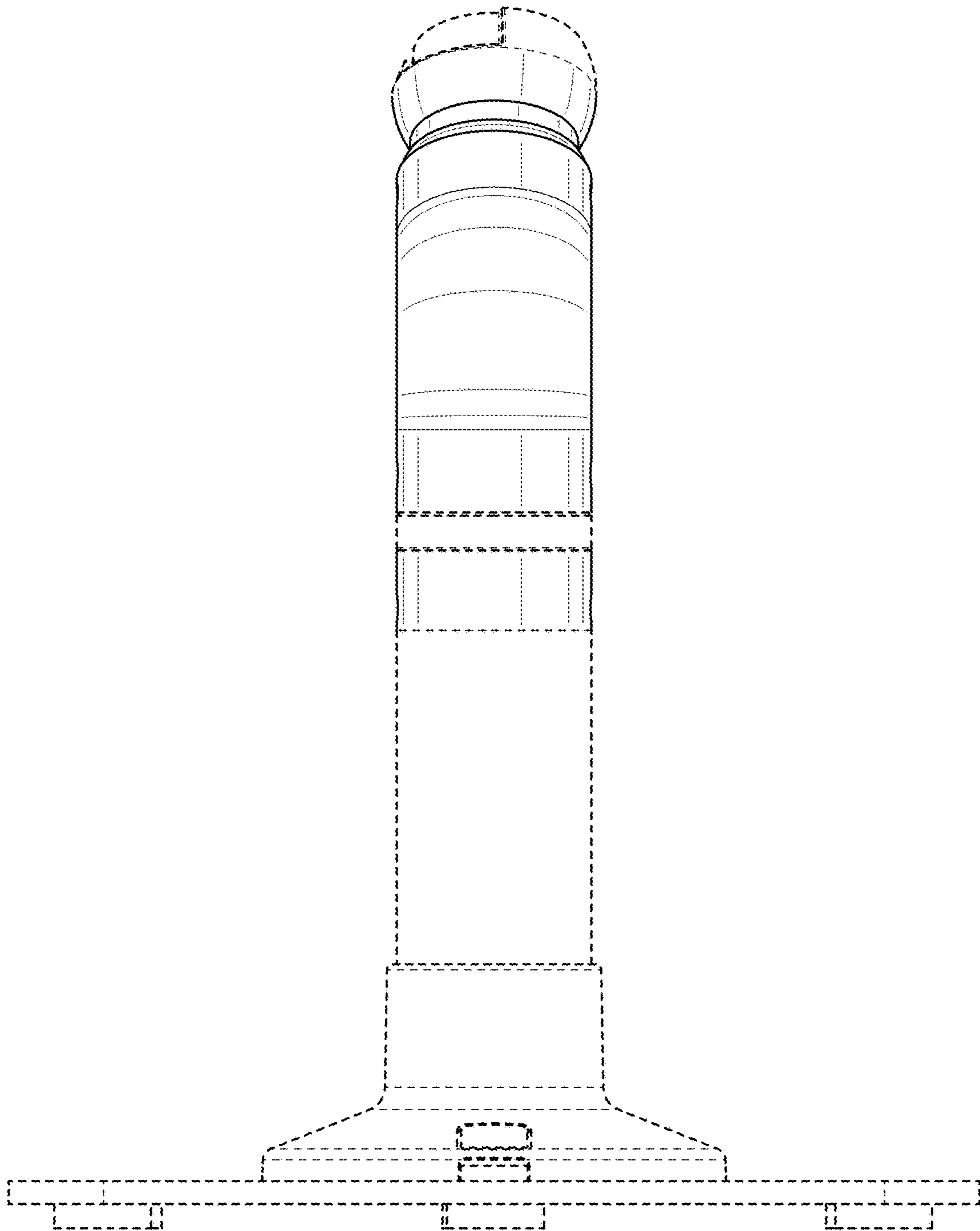


FIG. 3

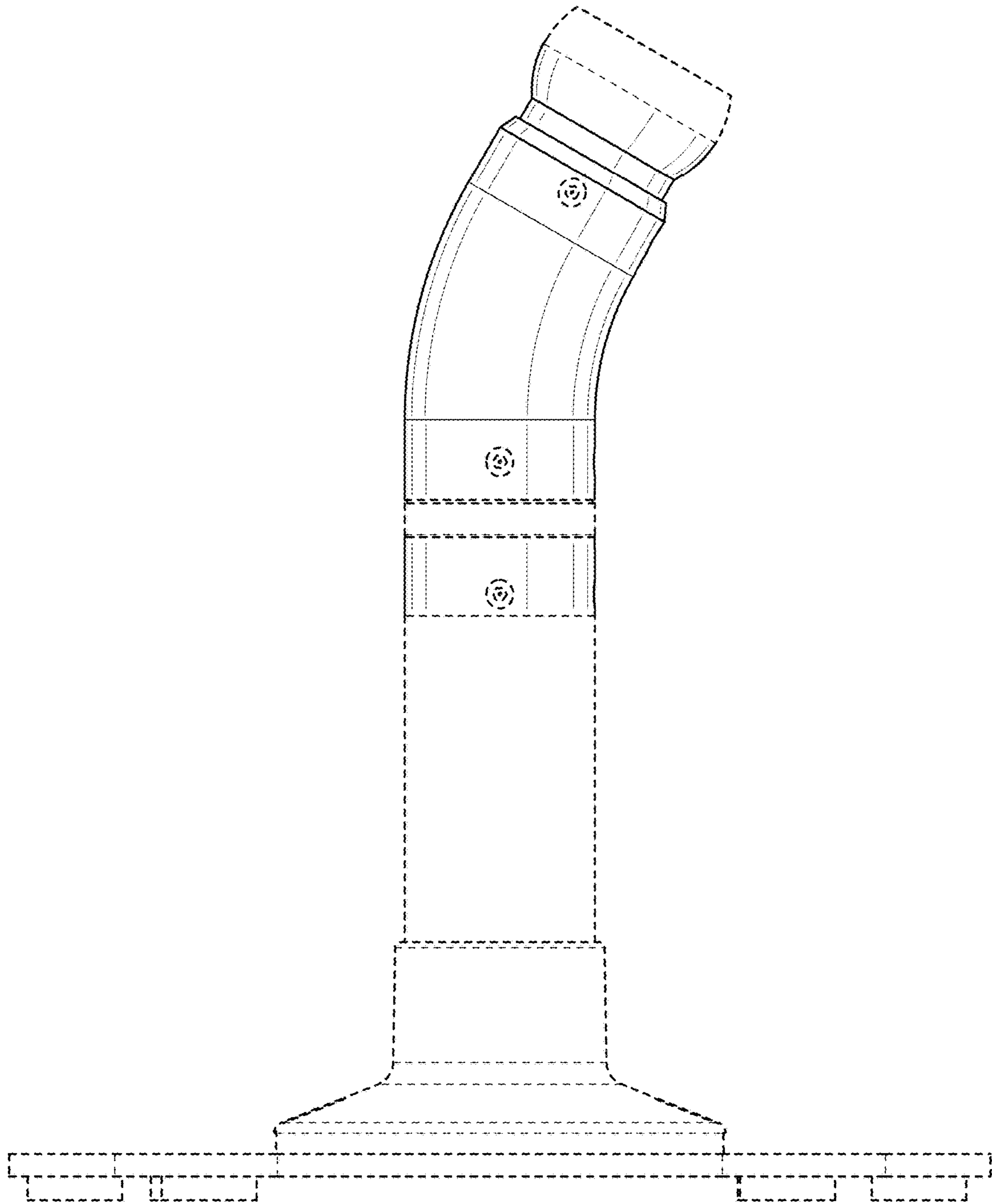


FIG. 4

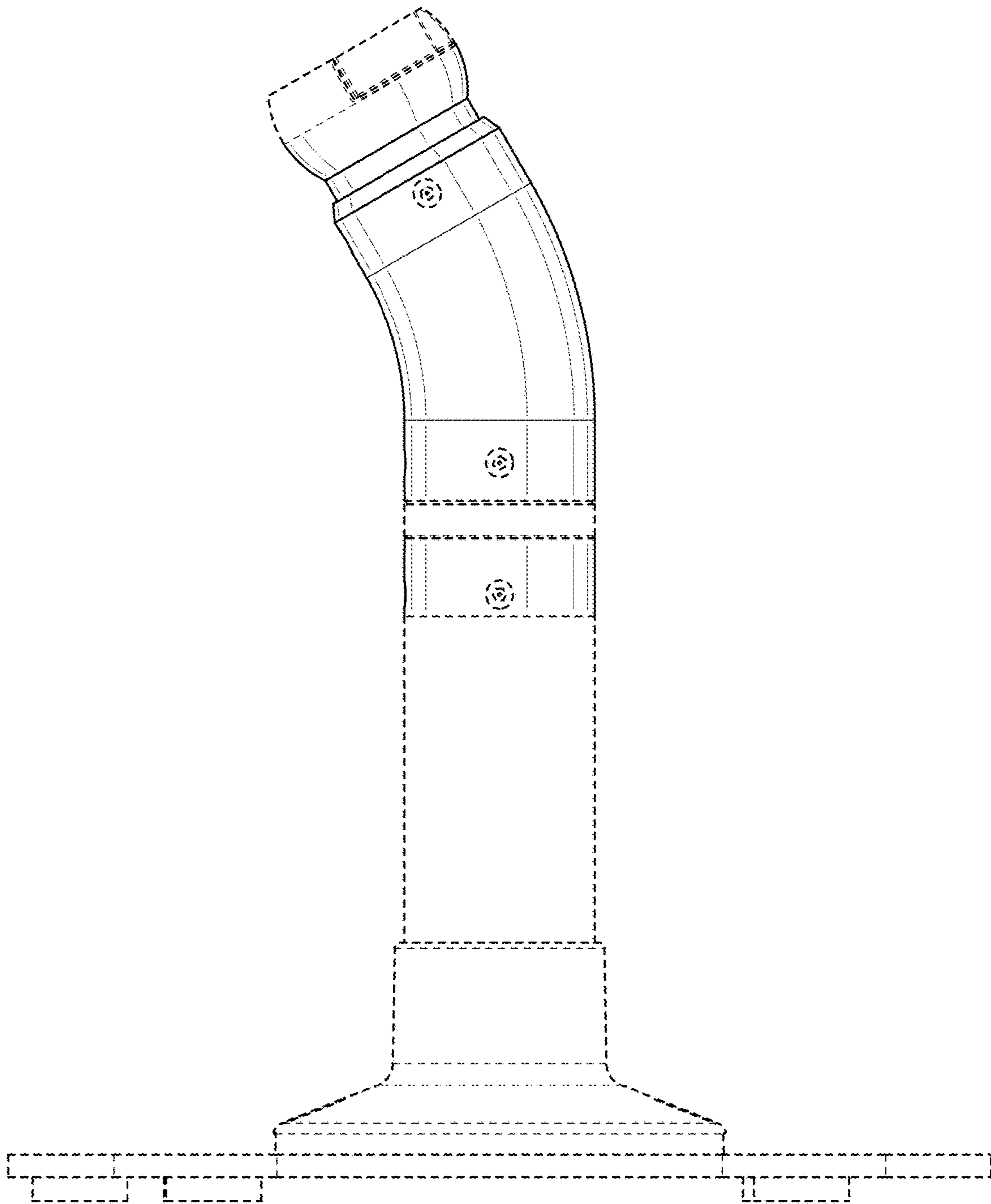


FIG. 5

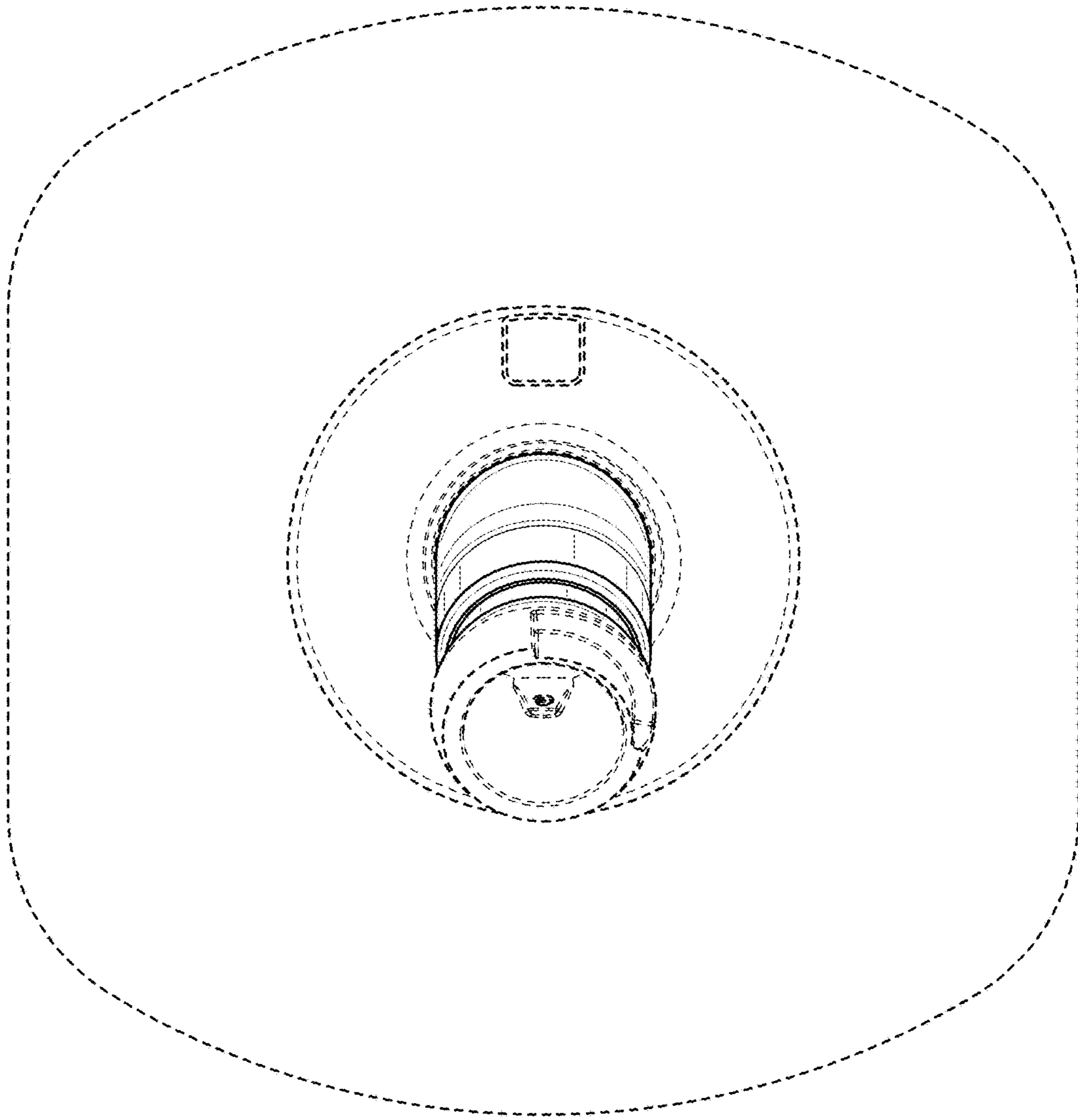


FIG. 6



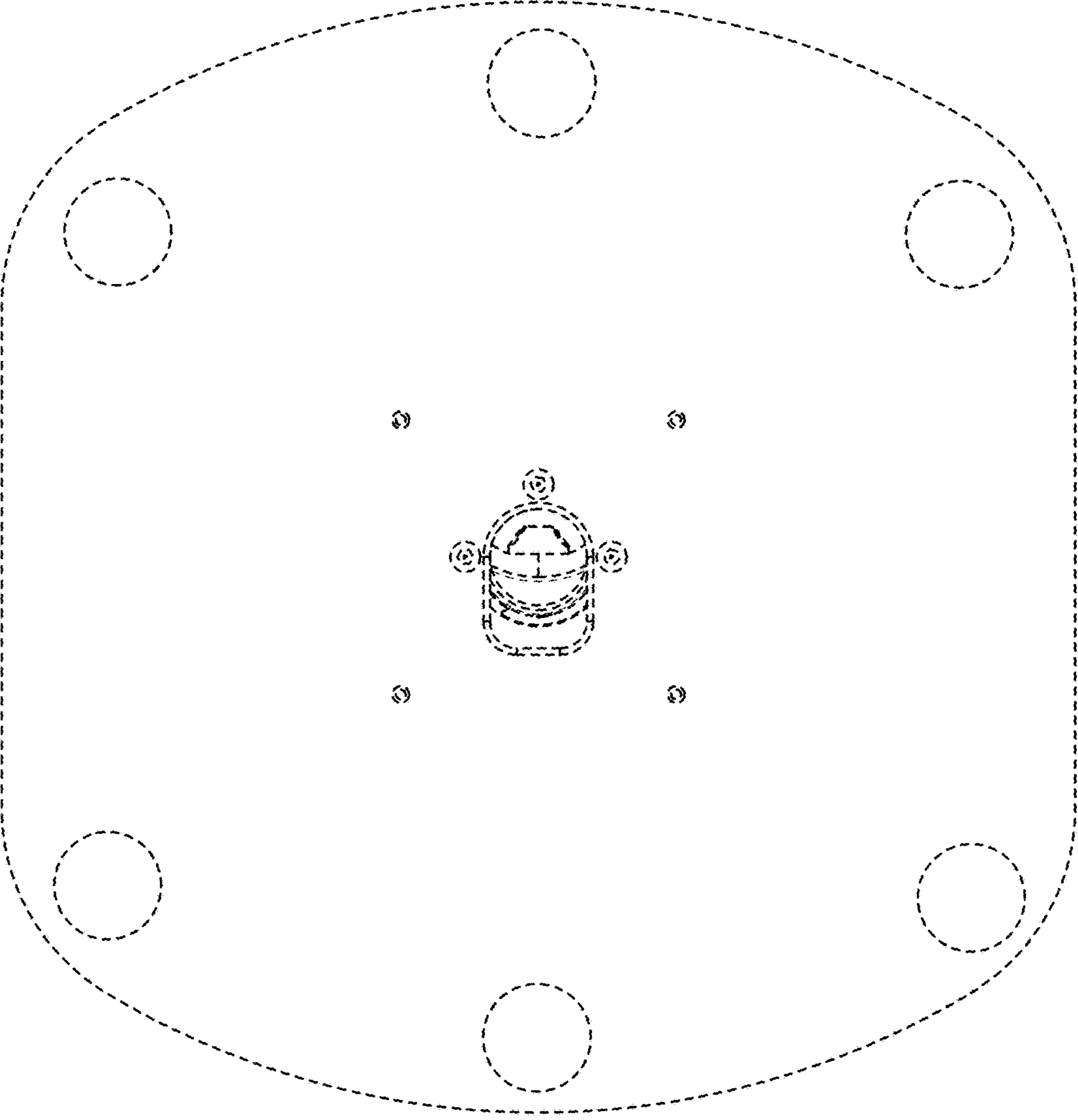


FIG. 7