



US00D806083S

(12) **United States Design Patent**
Armstrong et al.

(10) **Patent No.:** **US D806,083 S**

(45) **Date of Patent:** **** Dec. 26, 2017**

(54) **CASE FOR A COMPUTING DEVICE**

(71) Applicant: **URBAN ARMOR GEAR, LLC,**
Laguna Niguel, CA (US)

(72) Inventors: **Steven Armstrong,** Laguna Niguel, CA
(US); **Jay Veltz,** Laguna Niguel, CA
(US)

(73) Assignee: **Urban Armor Gear, LLC,** Laguna
Niguel, CA (US)

(**) Term: **15 Years**

(21) Appl. No.: **29/597,243**

(22) Filed: **Mar. 15, 2017**

(51) **LOC (10) Cl.** **14-02**

(52) **U.S. Cl.**
USPC **D14/440**

(58) **Field of Classification Search**
USPC D14/440, 42, 300, 447, 250; 206/45.23,
206/320, 45.2; 361/679.55; 294/25;
224/218
CPC G06F 1/1628; G06F 1/1626; G06F 1/1669;
A47B 23/044; H04B 1/3888
See application file for complete search history.

(56) **References Cited**

U.S. PATENT DOCUMENTS

6,726,070	B2 *	4/2004	Lautner	A44C 5/0007
					224/221
D492,303	S *	6/2004	Schlieffers	D14/341
D591,801	S *	5/2009	Mak	D21/469
D594,004	S *	6/2009	Takemasa	D14/341
D611,467	S *	3/2010	Gou	D14/315
D613,285	S *	4/2010	Grant	D14/341
D626,123	S *	10/2010	Peng	D14/324
D676,449	S *	2/2013	Probst	D14/440
D685,376	S *	7/2013	Kim	D14/439
D689,056	S *	9/2013	Li	D14/440
D690,704	S *	10/2013	Padilla	D14/440

D691,144	S *	10/2013	Peters	D14/440
D694,246	S *	11/2013	Park	D14/440
D703,672	S *	4/2014	Kim	D14/440
8,690,210	B1 *	4/2014	May	A45F 5/00
					224/217
D712,412	S *	9/2014	Bleau	D14/440
D721,075	S *	1/2015	Toda	D14/342
D721,376	S *	1/2015	Lee	D14/440
D725,659	S *	3/2015	Tussy	D14/440

(Continued)

Primary Examiner — Cynthia Underwood

(74) *Attorney, Agent, or Firm* — Troutman Sanders LLP

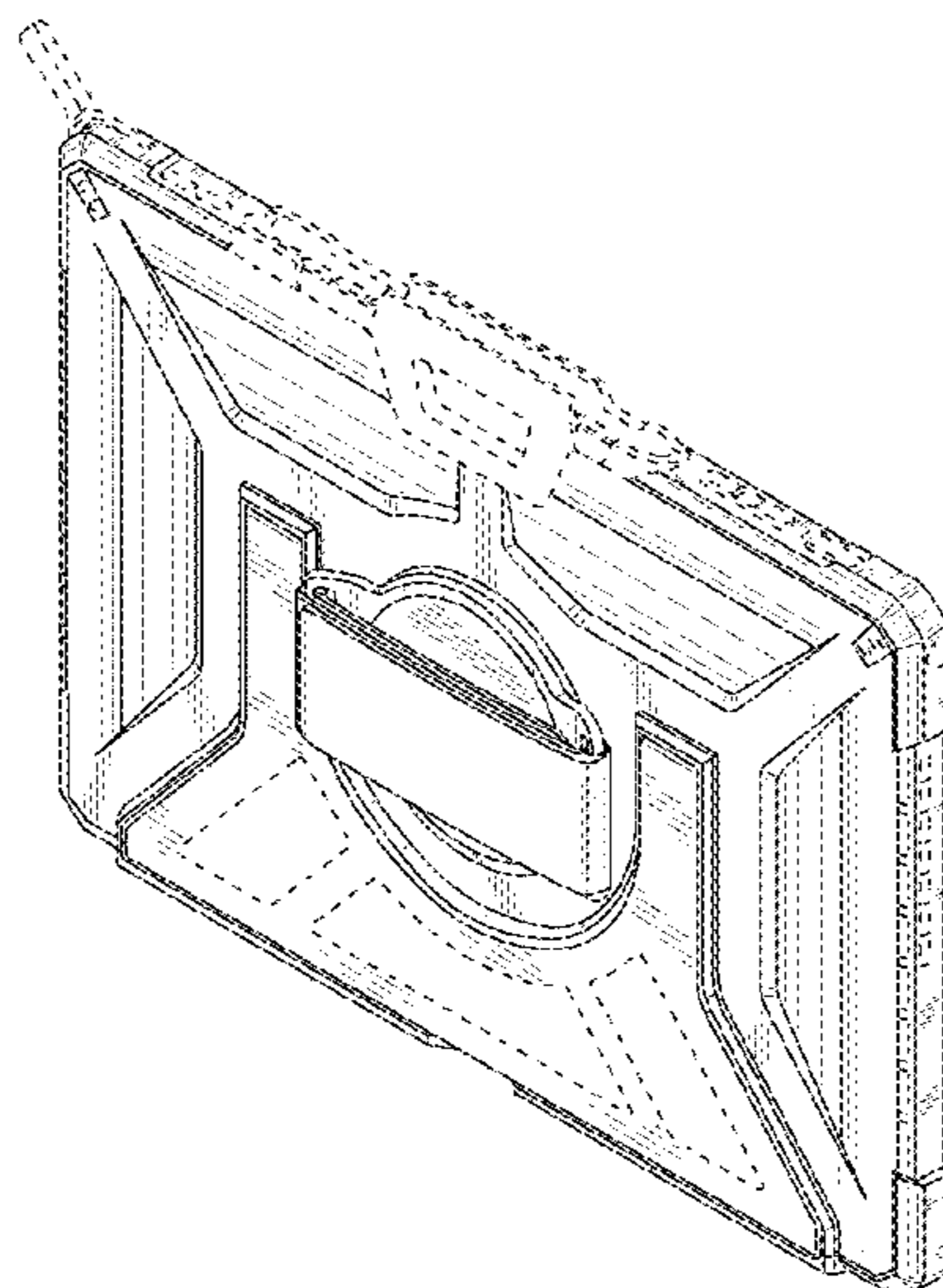
(57) **CLAIM**

We claim the ornamental design for a case for a computing device, as shown and described.

DESCRIPTION

FIG. 1 is an upper perspective view of the case for a computing device;
 FIG. 2 is a lower perspective view of the case for a computing device shown in FIG. 1;
 FIG. 3 is rear perspective view of the case for a computing device;
 FIG. 4 is a front plan view of the case for a computing device shown in FIG. 1;
 FIG. 5 is a rear plan view of the case for a computing device shown in FIG. 1;
 FIG. 6 is a left plan view of the case for a computing device shown in FIG. 1;
 FIG. 7 is a right plan view of the case for a computing device shown in FIG. 1;
 FIG. 8 is a top plan view of the case for a computing device shown in FIG. 1; and,
 FIG. 9 is a bottom plan view of the case for a computing device shown in FIG. 1.
 The subject matter shown in dashed lines, and any surfaces of the design not shown, including interior surfaces, form no part of the claimed design.

1 Claim, 9 Drawing Sheets



(56)

References Cited

U.S. PATENT DOCUMENTS

D727,917 S *	4/2015	Yeo	D14/440	2009/0219677 A1*	9/2009	Mori	A45F 3/14
D733,154 S *	6/2015	Armstrong	D14/440					361/679.03
D741,335 S *	10/2015	Bastian	D14/440	2011/0267748 A1*	11/2011	Lane	A45F 5/00
D747,321 S *	1/2016	London	D14/440					361/679.01
D749,592 S *	2/2016	Huang	D14/440	2011/0309117 A1*	12/2011	Roberts	A45F 5/00
D752,052 S *	3/2016	Park	D14/440					224/217
D763,853 S *	8/2016	Pearce	D14/440	2012/0091312 A1*	4/2012	Baker	F16M 13/00
D765,085 S *	8/2016	Moore	D14/440					248/682
9,407,743 B1*	8/2016	Hirshberg	H04M 1/04	2014/0054910 A1*	2/2014	Kim	H04B 1/385
D766,249 S *	9/2016	Veltz	D14/440					294/158
D771,030 S *	11/2016	Tussy	D14/250	2014/0152034 A1*	6/2014	Tussy	F16M 13/04
D784,350 S *	4/2017	Li	D14/440					294/142
D794,625 S *	8/2017	Armstrong	D14/250	2015/0009610 A1*	1/2015	London	G06F 1/163
D797,106 S *	9/2017	Paolizzi	D14/426					361/679.03
2004/0226973 A1*	11/2004	Kao	F16M 11/041	2015/0068934 A1*	3/2015	Armstrong	A45C 11/00
				224/218					206/320
2007/0215512 A1*	9/2007	Bellissimo	A47G 23/0625	2015/0201743 A1*	7/2015	Erickson-Davis	A45F 5/00
				206/557					224/218
					2017/0045920 A1*	2/2017	Armstrong	G06F 1/1669

* cited by examiner

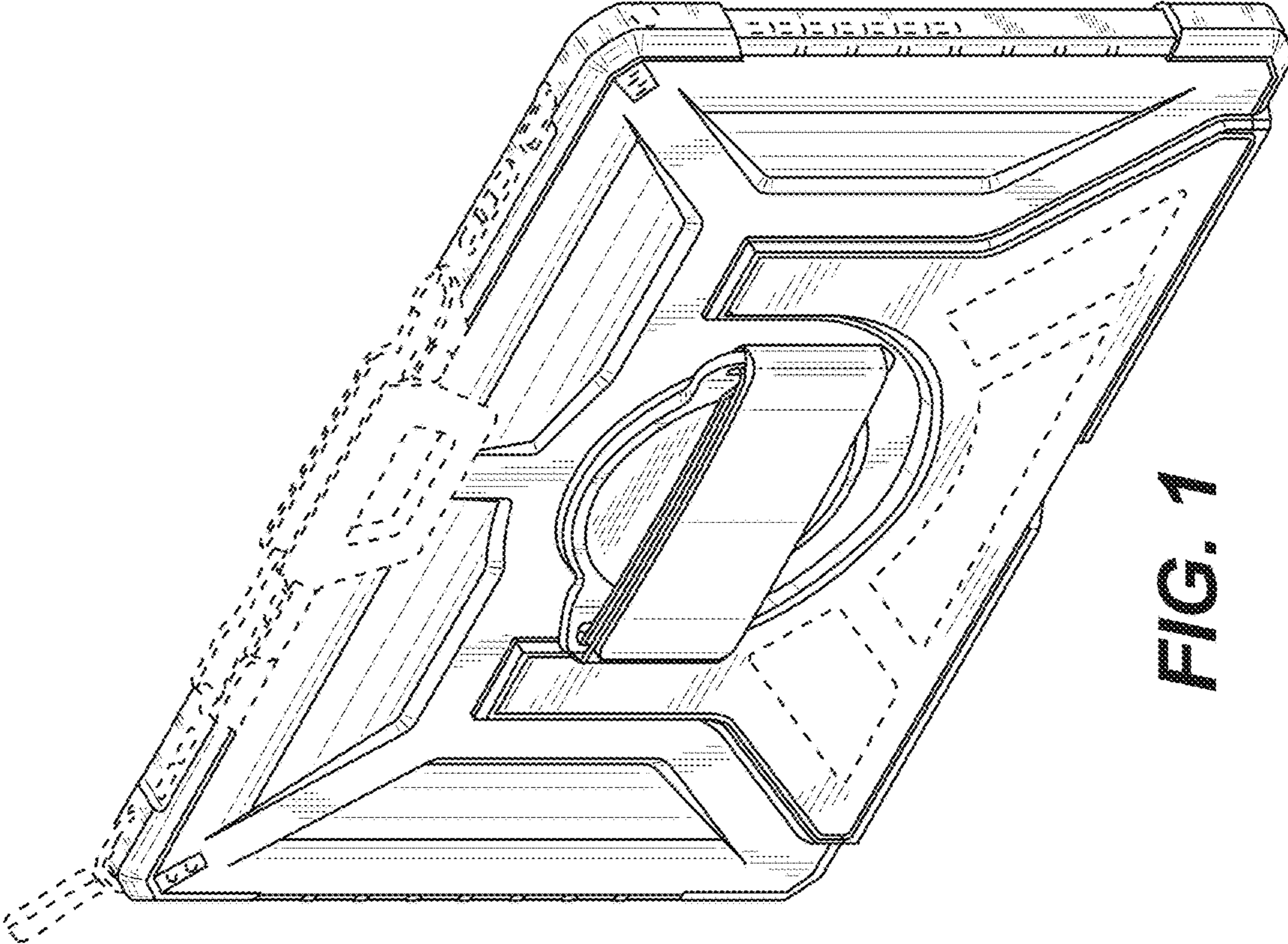


FIG. 1

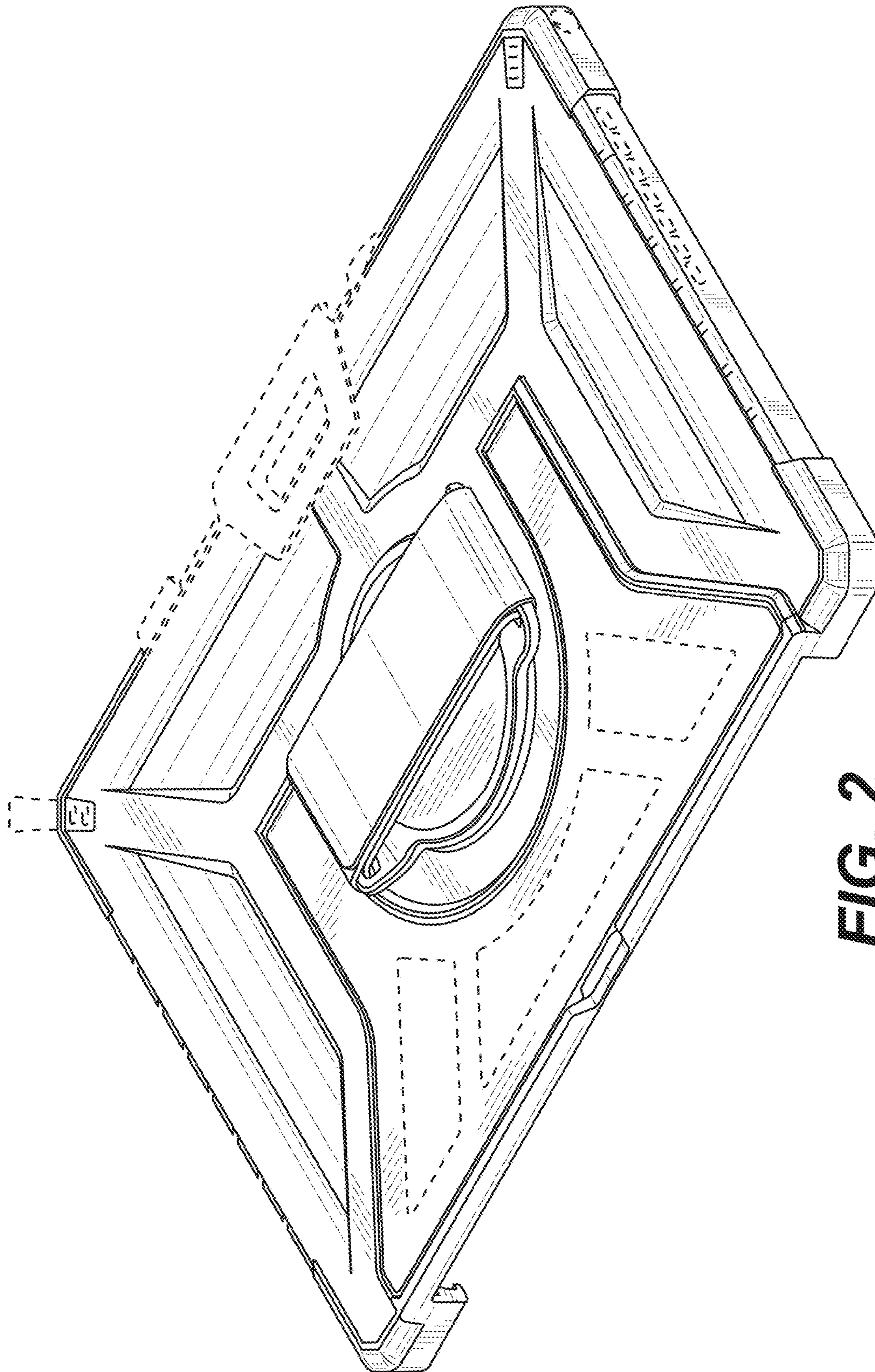


FIG. 2

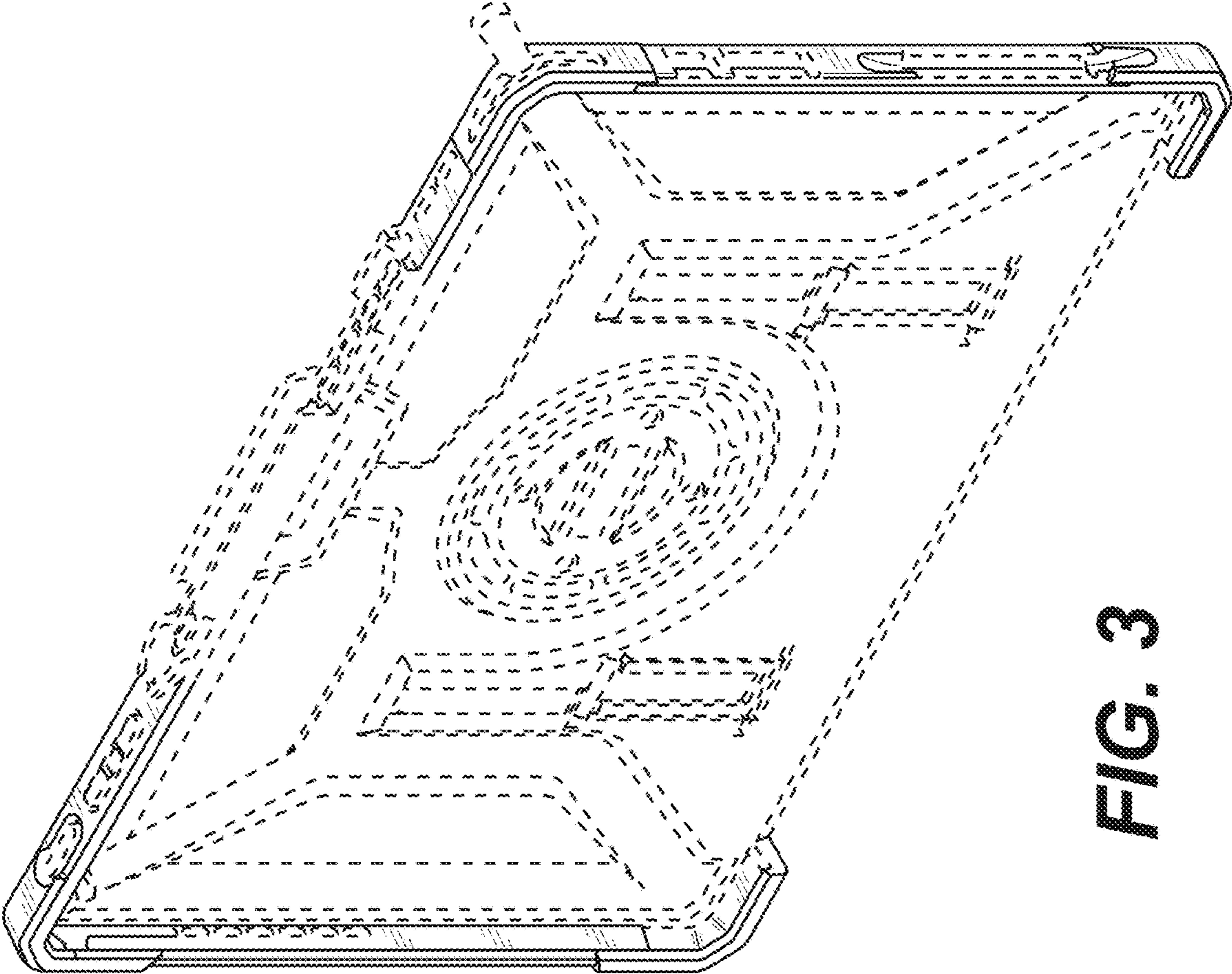


FIG. 3

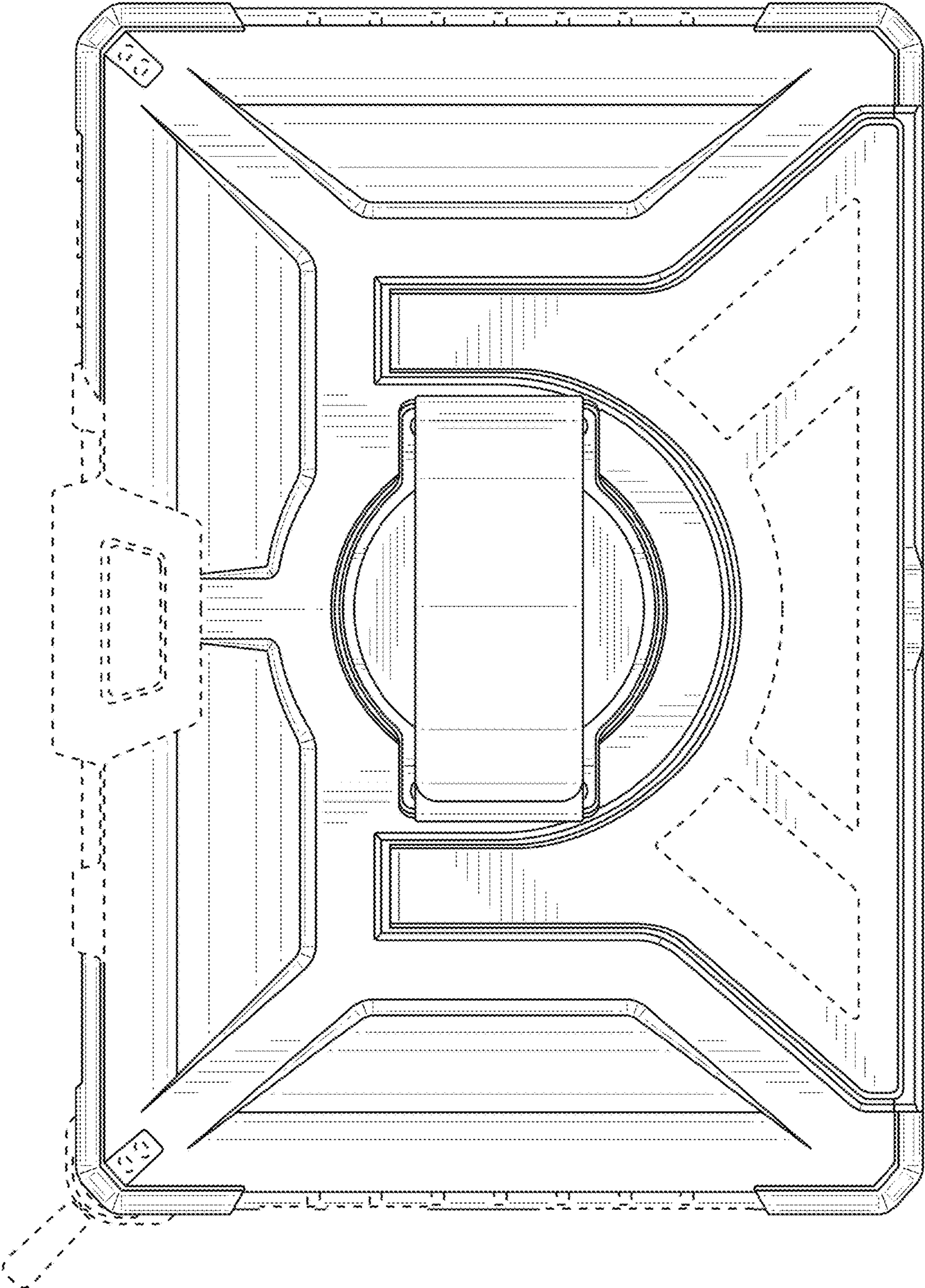


FIG. 4

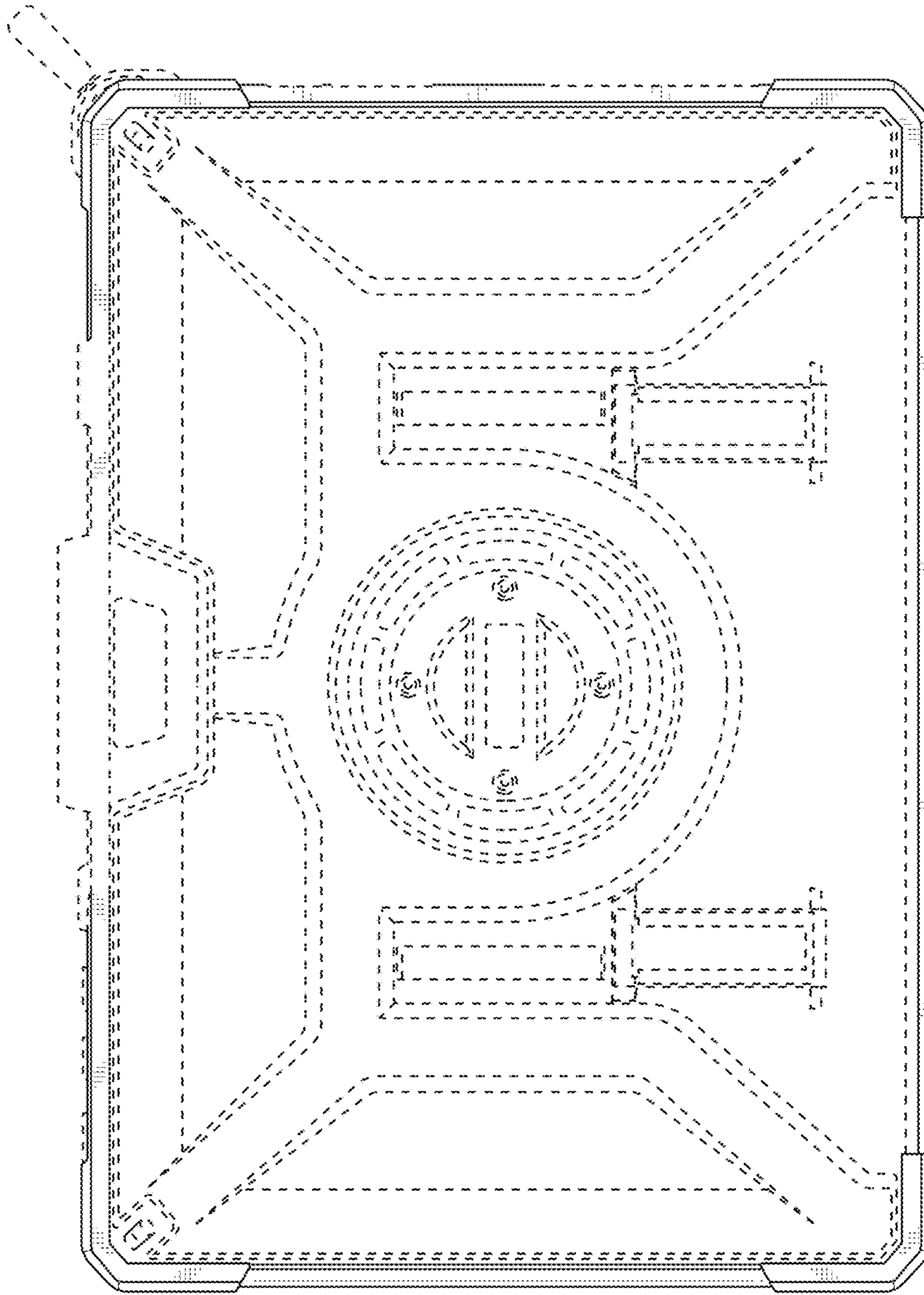


FIG. 5

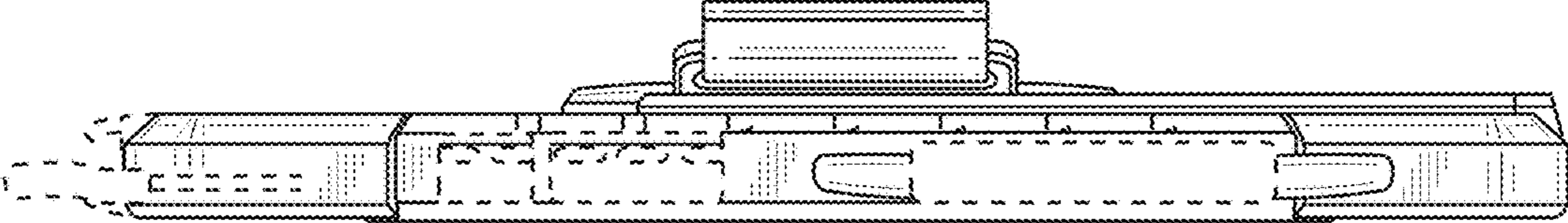


FIG. 6

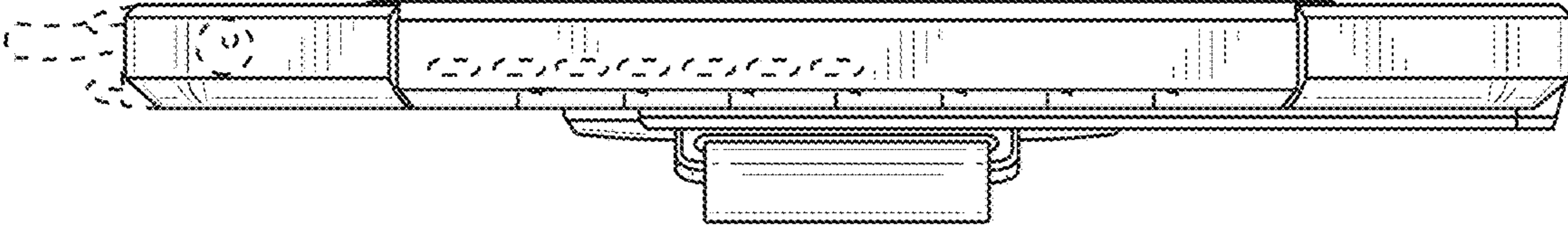


FIG. 7

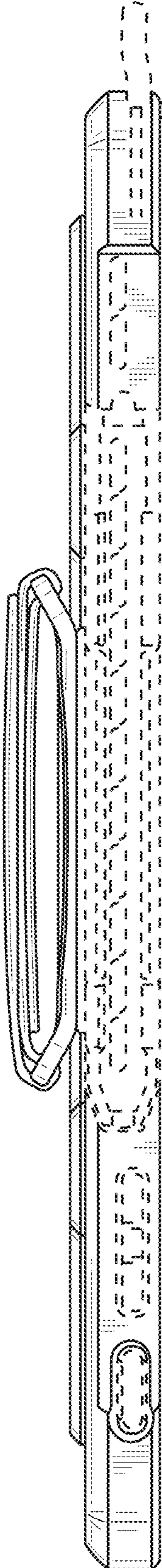


FIG. 8

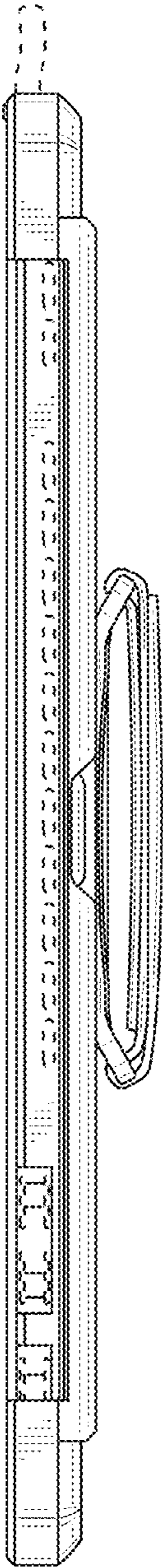


FIG. 9