



US00D806082S

(12) **United States Design Patent** (10) **Patent No.:** **US D806,082 S**
Armstrong et al. (45) **Date of Patent:** **** Dec. 26, 2017**

(54) **CASE FOR A COMPUTING DEVICE**

D786,853 S * 5/2017 Friedland D14/250
D787,497 S * 5/2017 Friedland D14/250
D789,937 S * 6/2017 Zhang D14/440
D792,886 S * 7/2017 Schwibner D14/440

(71) Applicant: **URBAN ARMOR GEAR, LLC**,
Laguna Niguel, CA (US)

* cited by examiner

(72) Inventors: **Steven Armstrong**, Laguna Niguel, CA
(US); **Jay Veltz**, Laguna Niguel, CA
(US)

Primary Examiner — Cynthia Underwood

(74) *Attorney, Agent, or Firm* — Troutman Sanders LLP

(73) Assignee: **Urban Armor Gear, LLC**, Laguna
Niguel, CA (US)

(57) **CLAIM**

(**) Term: **15 Years**

We claim the ornamental design for a case for a computing device, as shown and described.

(21) Appl. No.: **29/592,218**

DESCRIPTION

(22) Filed: **Jan. 27, 2017**

(51) **LOC (10) Cl.** **14-02**

(52) **U.S. Cl.**
USPC **D14/440**

(58) **Field of Classification Search**
USPC D14/440, 42, 300, 447, 250; 206/45.23,
206/320, 45.2; 361/679.55; 294/25;
224/218

CPC G06F 1/1628; G06F 1/1626; G06F 1/1669;
A47B 23/044; H04B 1/3888

See application file for complete search history.

(56) **References Cited**

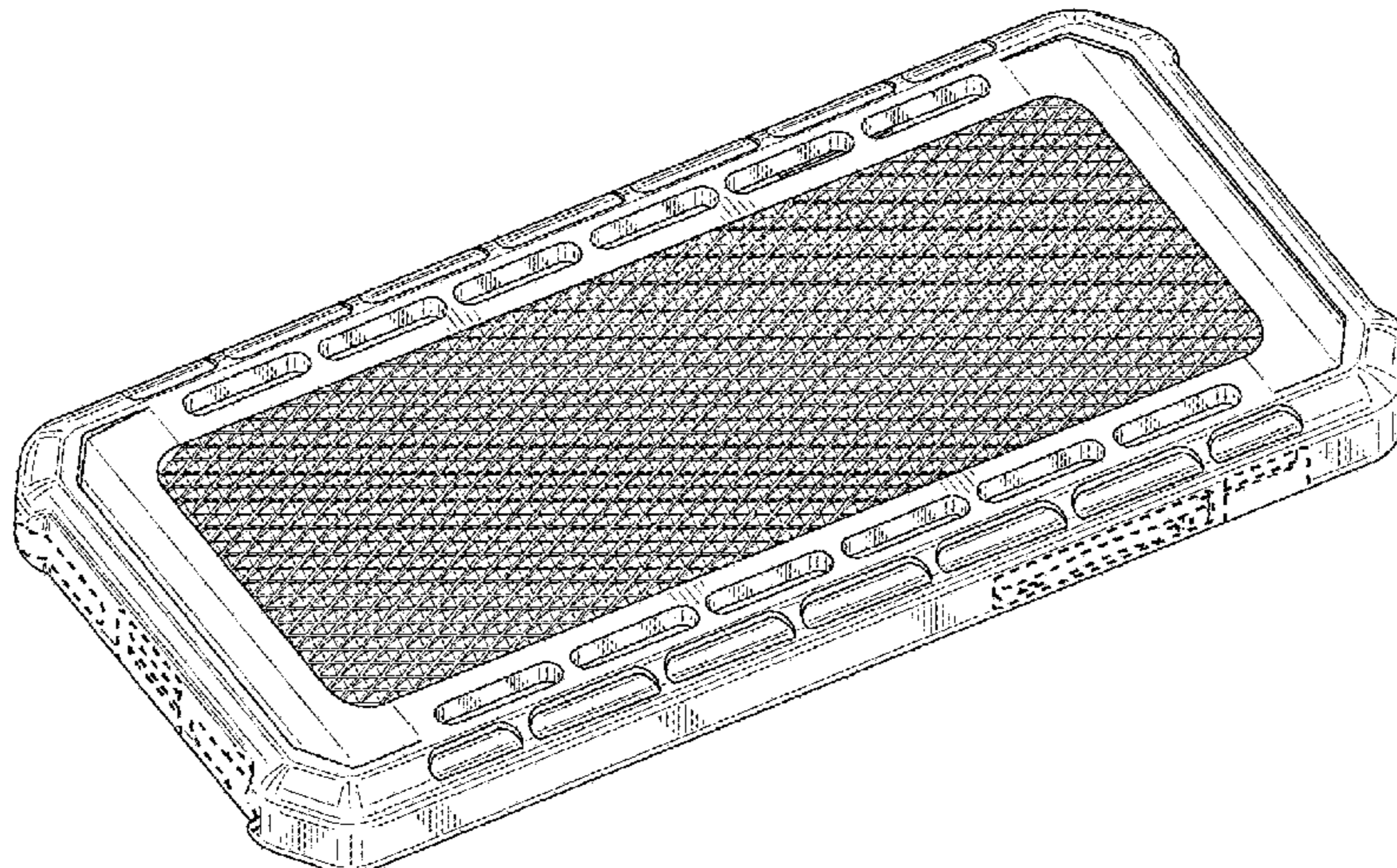
U.S. PATENT DOCUMENTS

D597,052 S * 7/2009 Kim D14/138 AB
D649,144 S * 11/2011 Fathollahi D14/250
D694,759 S * 12/2013 Chang D14/440
D721,703 S * 1/2015 Han D14/402
D724,093 S * 3/2015 Dong D14/440
D725,116 S * 3/2015 Li D14/440
D763,840 S * 8/2016 Hwang D14/250
D766,907 S * 9/2016 Veltz D14/440
D770,458 S * 11/2016 Corcoran D14/440

FIG. 1 is an upper perspective view of the case for a computing device;
FIG. 2 is a lower perspective view of the case for a computing device shown in FIG. 1;
FIG. 3 is another upper perspective view of the case for a computing device;
FIG. 4 is a front plan view of the case for a computing device shown in FIG. 1;
FIG. 5 is a rear plan view of the case for a computing device shown in FIG. 1;
FIG. 6 is a left plan view of the case for a computing device shown in FIG. 1;
FIG. 7 is a right plan view of the case for a computing device shown in FIG. 1;
FIG. 8 is a top plan view of the case for a computing device shown in FIG. 1; and,
FIG. 9 is a bottom plan view of the case for a computing device shown in FIG. 1.

The subject matter shown in dashed lines, and any surfaces of the design not shown, including interior surfaces, form no part of the claimed design.

1 Claim, 9 Drawing Sheets



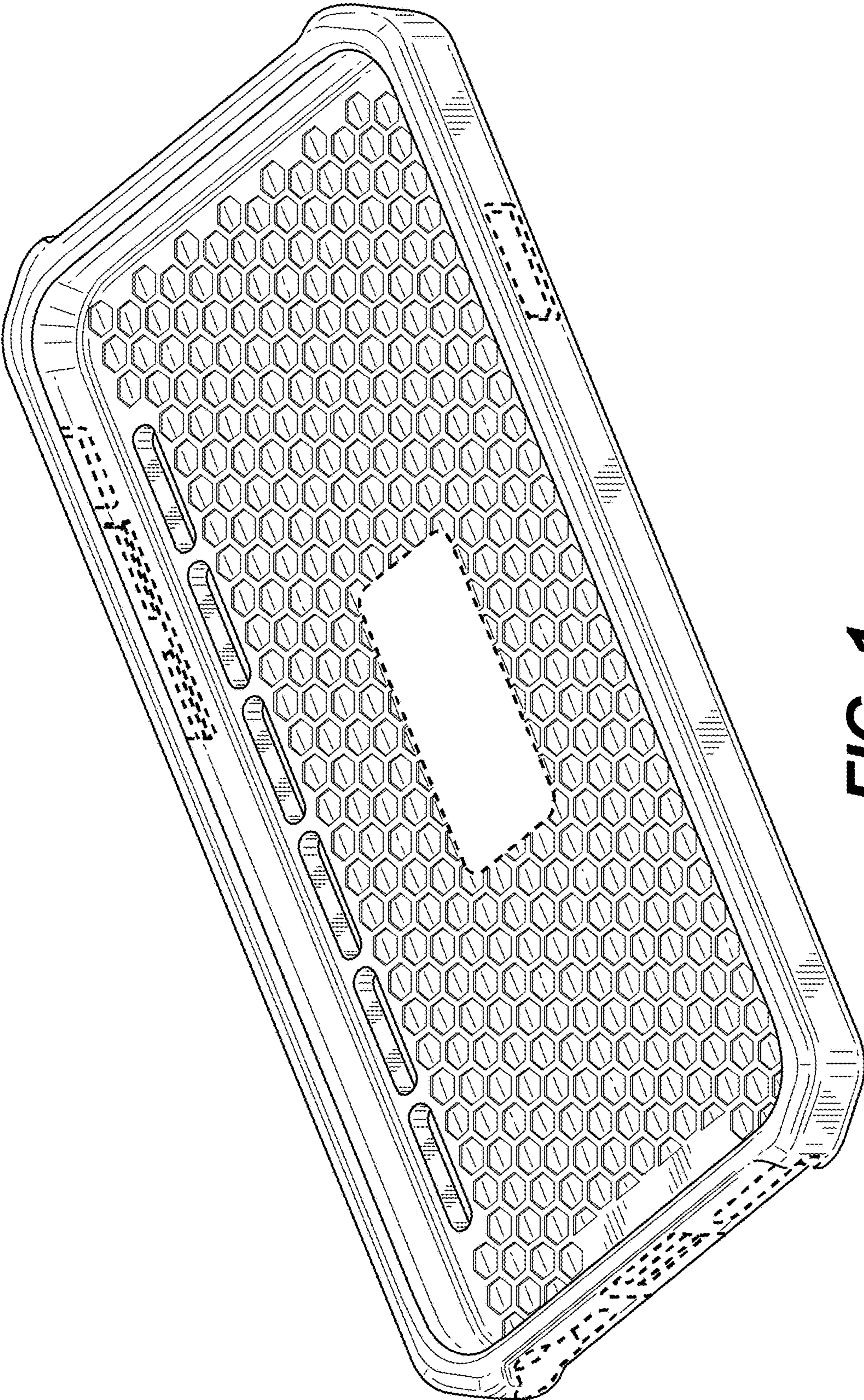


FIG. 1

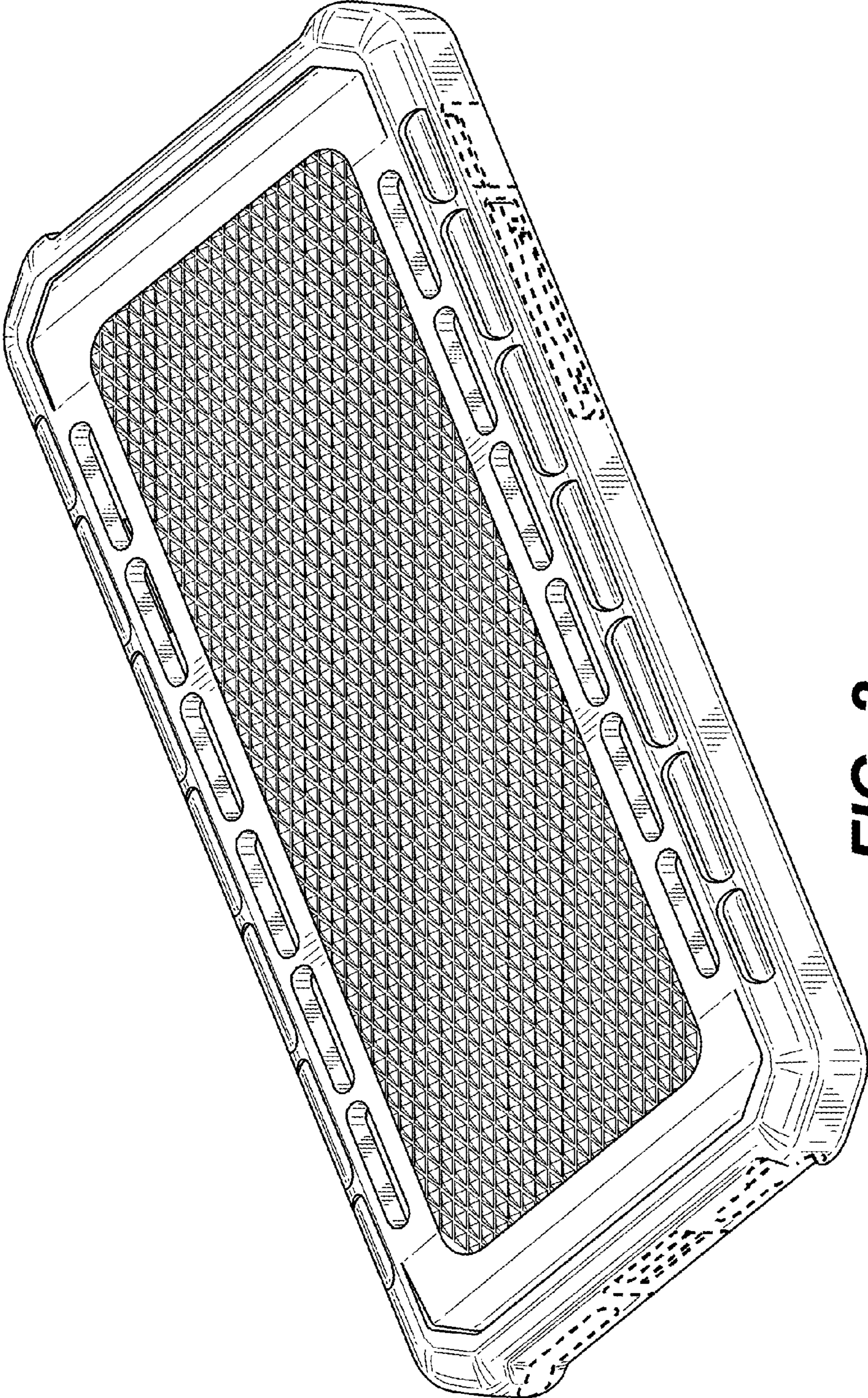


FIG. 2

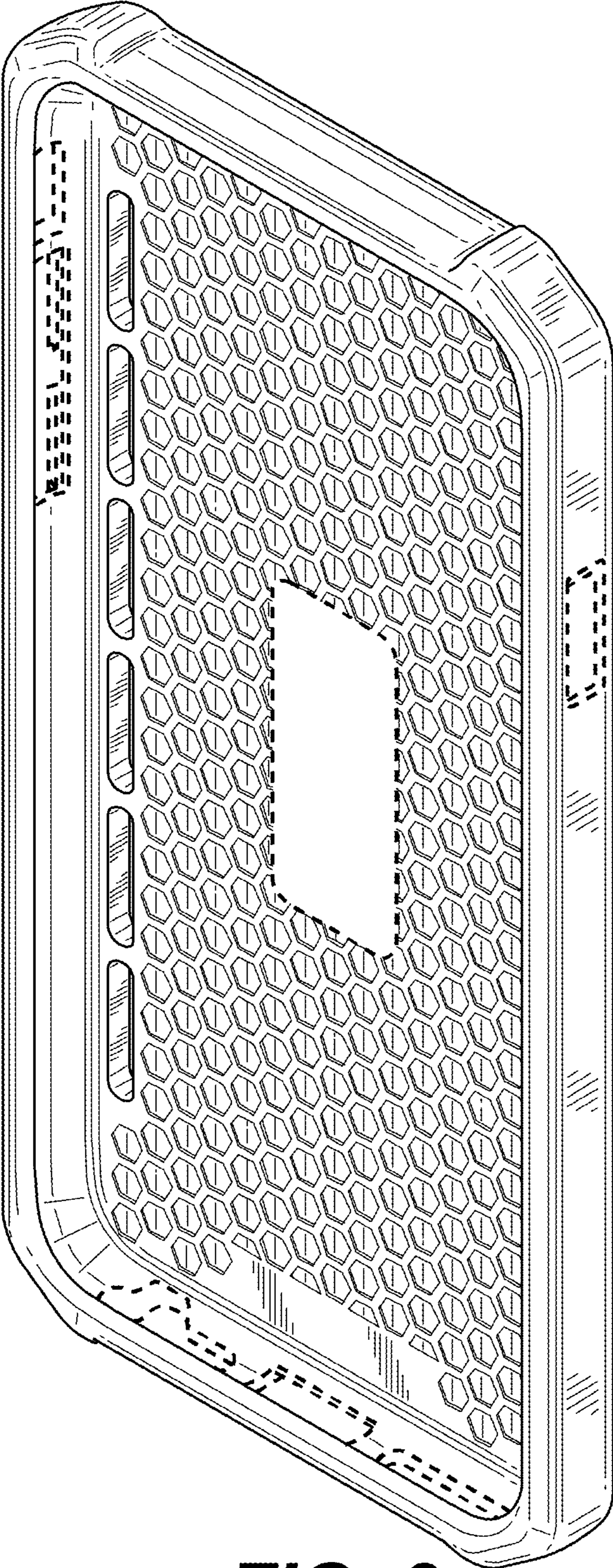


FIG. 3

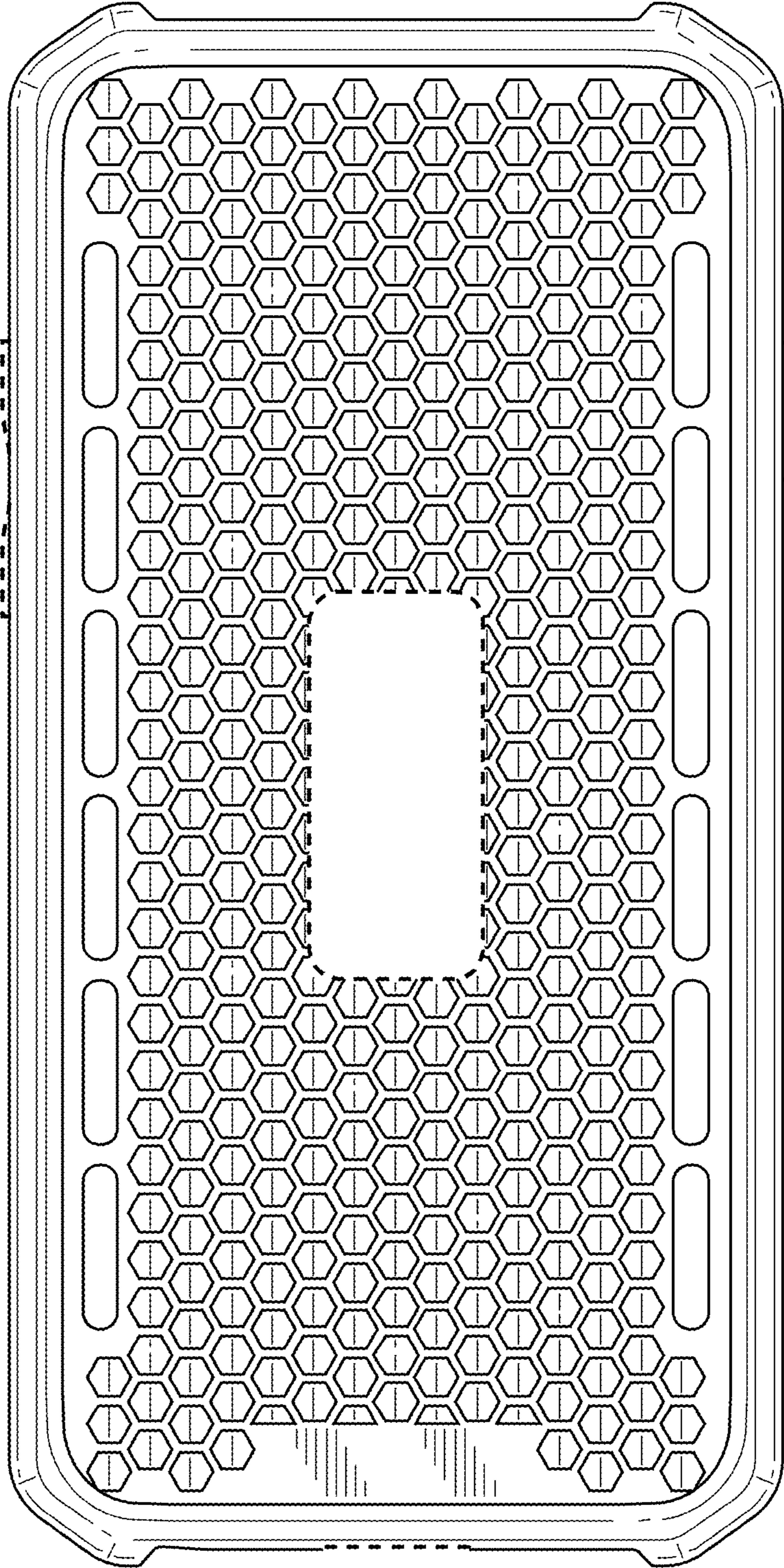


FIG. 4

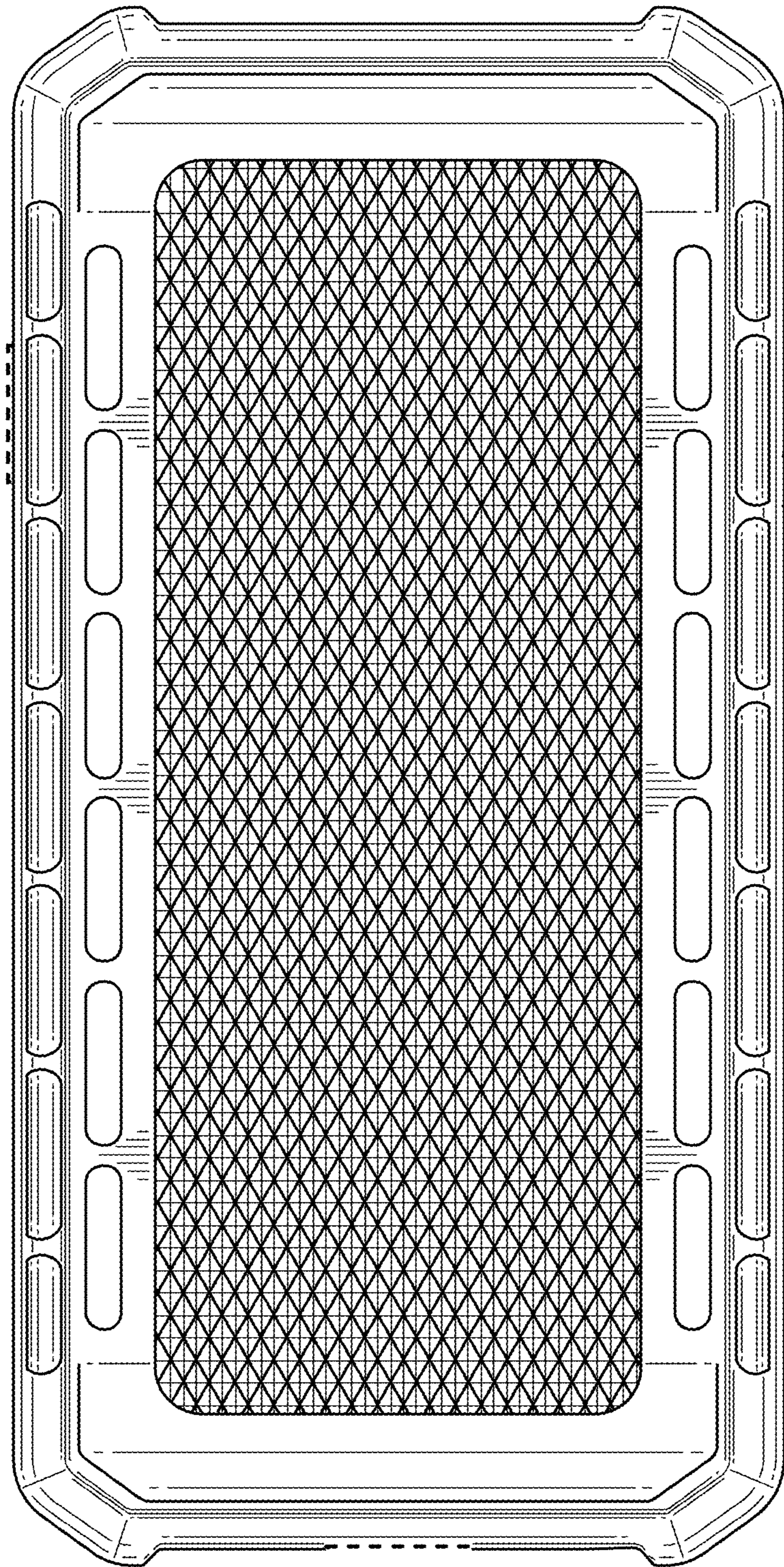


FIG. 5

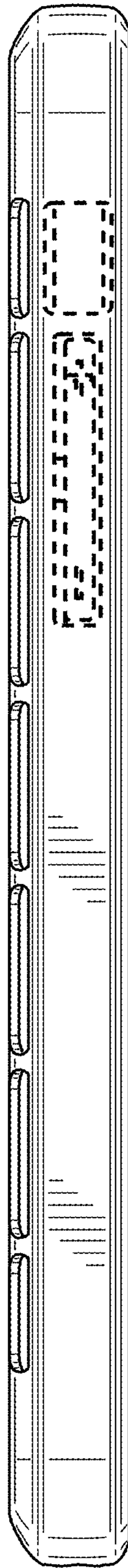


FIG. 6

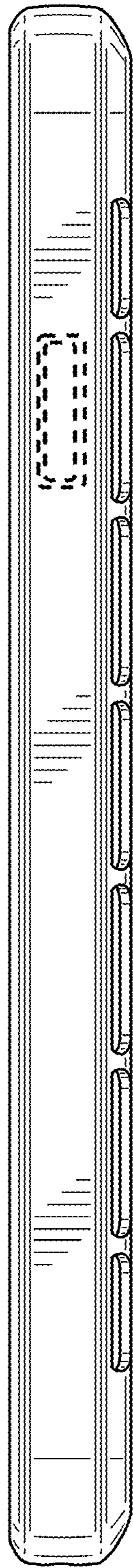


FIG. 7

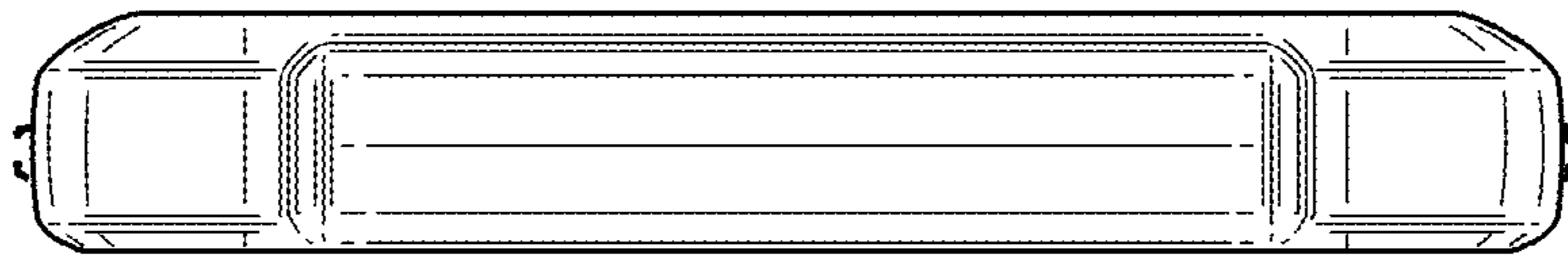


FIG. 8

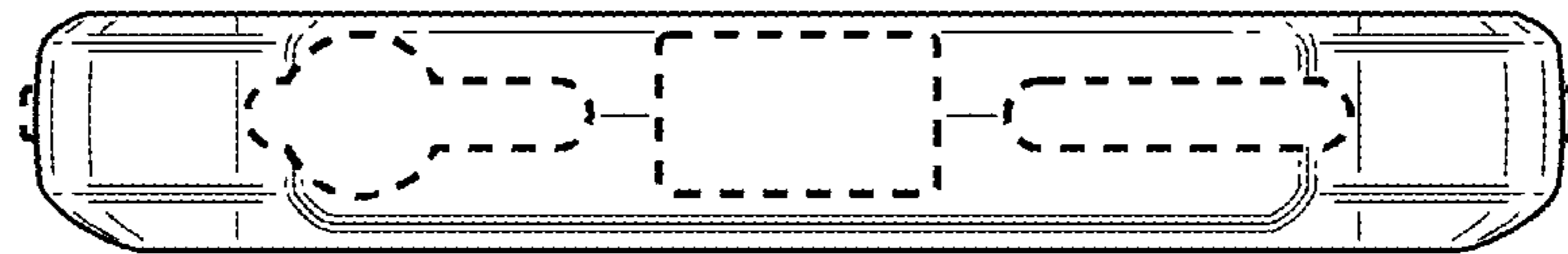


FIG. 9