

US00D806081S

(12) **United States Design Patent**
Avganim

(10) **Patent No.:** **US D806,081 S**

(45) **Date of Patent:** **** Dec. 26, 2017**

(54) **LAPTOP FITTING**

(71) Applicant: **Gad Alexander Avganim**, Tel Aviv (IL)

(72) Inventor: **Gad Alexander Avganim**, Tel Aviv (IL)

(**) Term: **15 Years**

(21) Appl. No.: **29/586,679**

(22) Filed: **Dec. 6, 2016**

(51) **LOC (10) Cl.** **14-02**

(52) **U.S. Cl.**
USPC **D14/440**; D14/434

(58) **Field of Classification Search**
USPC D14/440, 250, 447, 433, 434; 206/45.23,
206/320, 45.2; 361/679.55; 294/25;
224/218

CPC ... G06F 1/1628; G06F 1/1626; A47B 23/044;
H04B 1/3888

See application file for complete search history.

(56) **References Cited**

U.S. PATENT DOCUMENTS

D687,437 S *	8/2013	Hagenauer	D14/434
D702,665 S *	4/2014	Kim	D14/217
D761,967 S *	7/2016	Tsai	D24/186
D763,852 S *	8/2016	Avganim	D14/433

D765,082 S *	8/2016	Allen, Sr.	D14/433
D765,863 S *	9/2016	Carney	D24/169
D772,879 S *	11/2016	Eliyahu	D14/433
D779,493 S *	2/2017	Eliyahu	D14/217
D795,875 S *	8/2017	Kim	D14/433
D795,876 S *	8/2017	Fletcher	D14/434

* cited by examiner

Primary Examiner — Cynthia Underwood

(74) *Attorney, Agent, or Firm* — Henry M. Sinai;
IP-Partnership

(57) **CLAIM**

The ornamental design for a laptop fitting, substantially as shown and described.

DESCRIPTION

FIG. 1 is a front perspective view of a laptop fitting, showing the design of the present invention;

FIG. 2 is a rear perspective view of the design thereof;

FIG. 3 is a top elevational view of the design thereof;

FIG. 4 is a rear side elevational view of the design thereof;

FIG. 5 is a rear bottom perspective view of the design thereof;

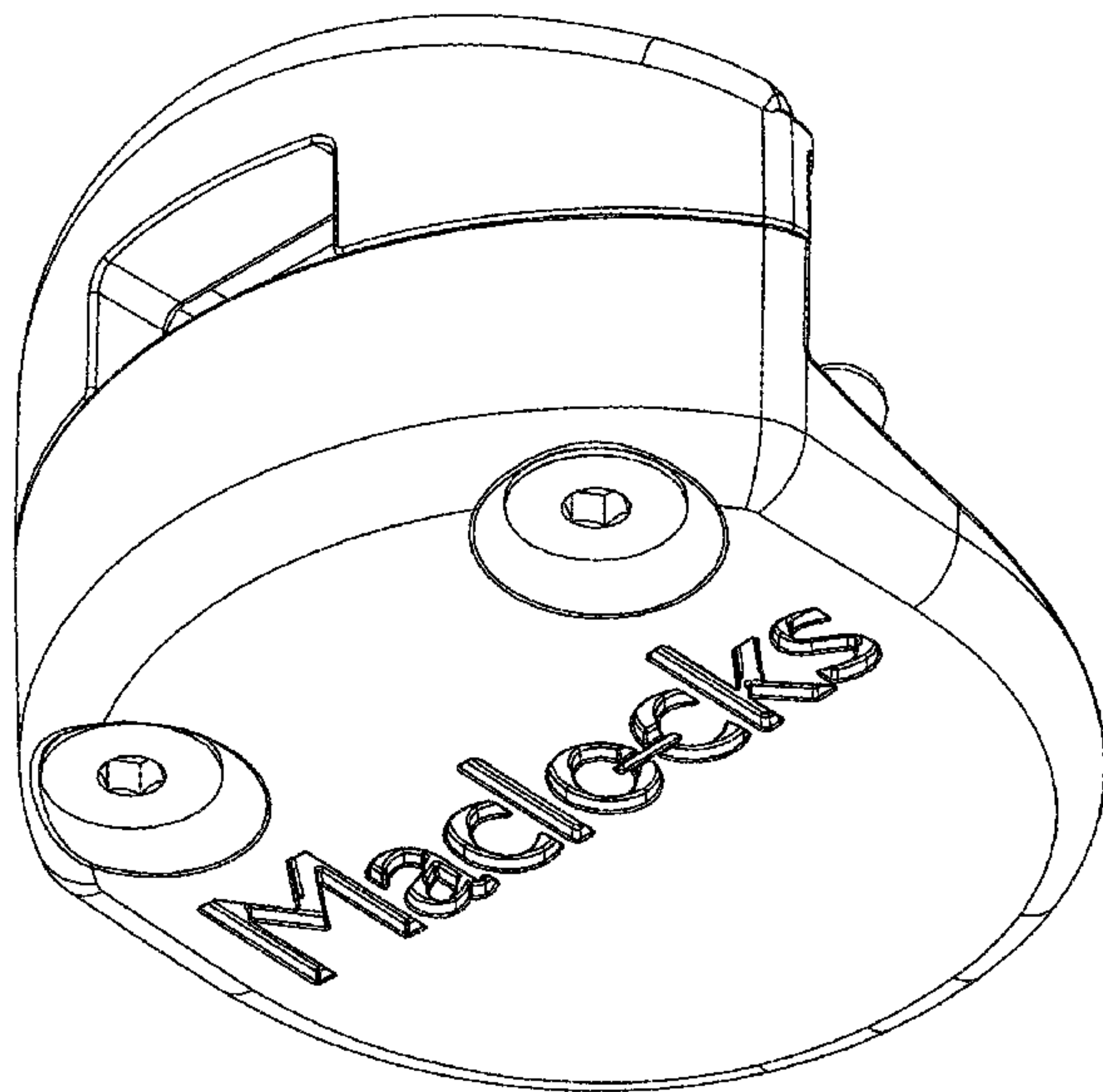
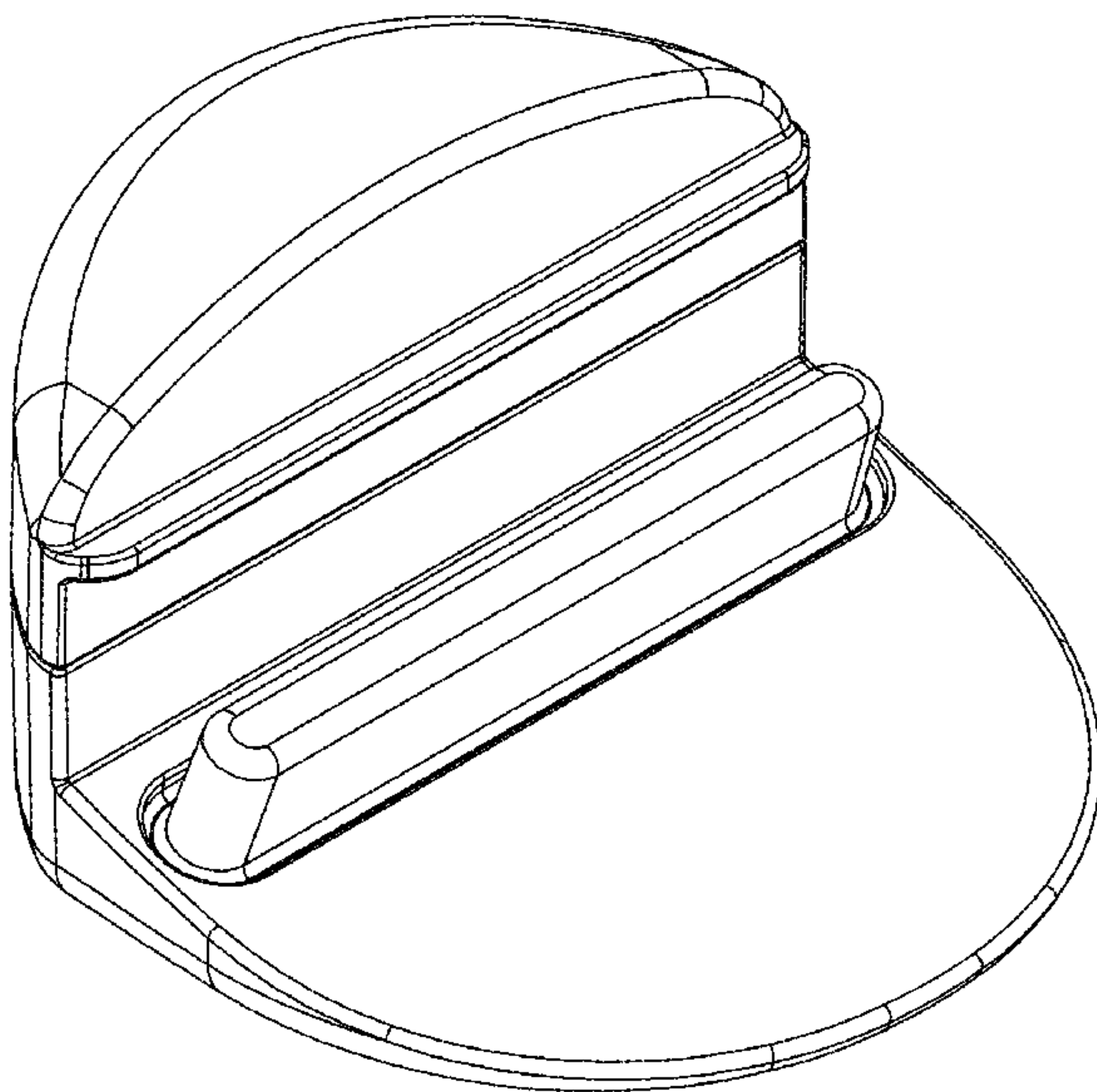
FIG. 6 is a left side elevational view of the design thereof;

FIG. 7 is a bottom elevational view of the design thereof;

FIG. 8 is a front elevational view of the design thereof; and,

FIG. 9 is a bottom perspective view of the design thereof.

1 Claim, 9 Drawing Sheets



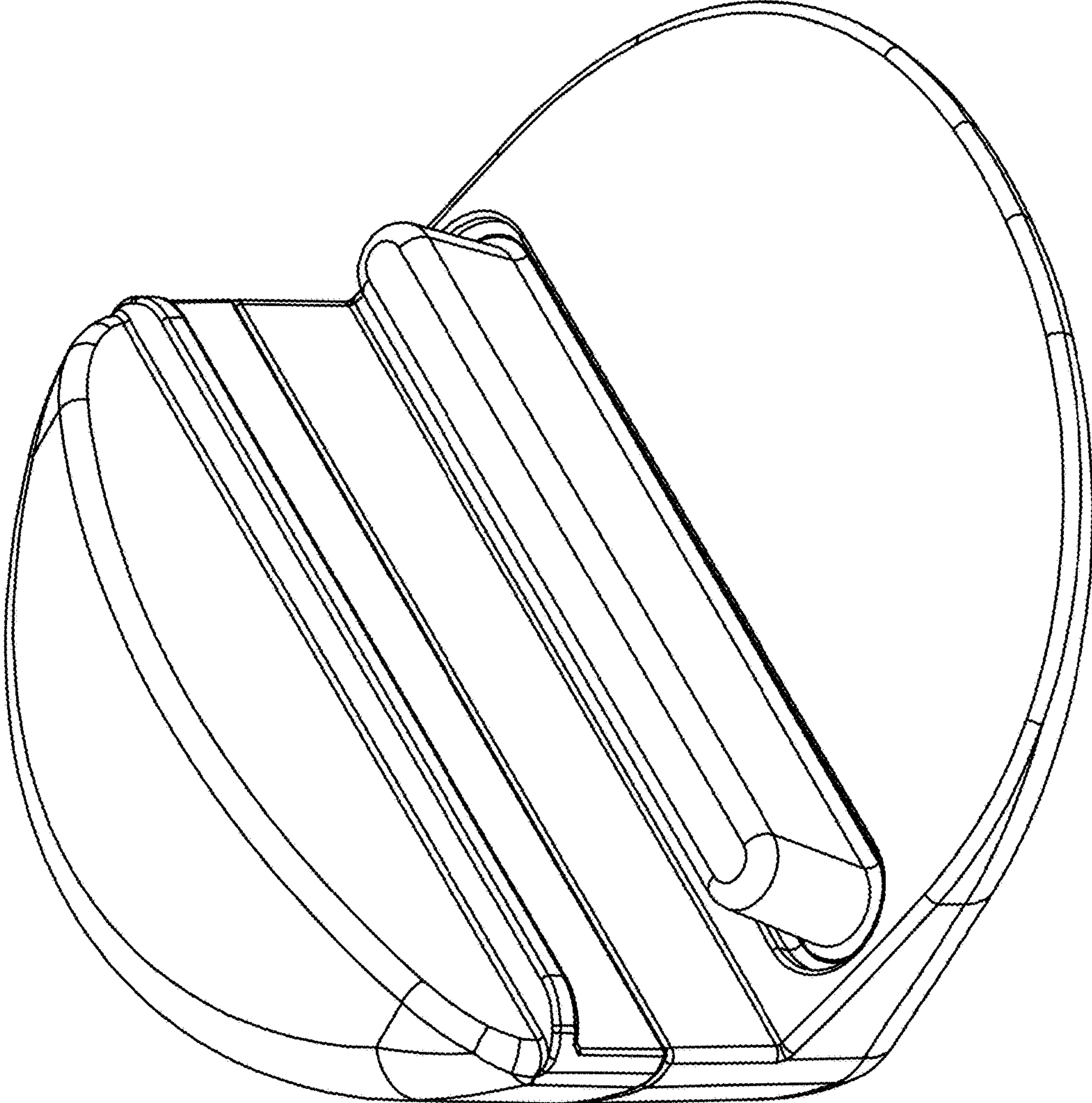


FIG. 1

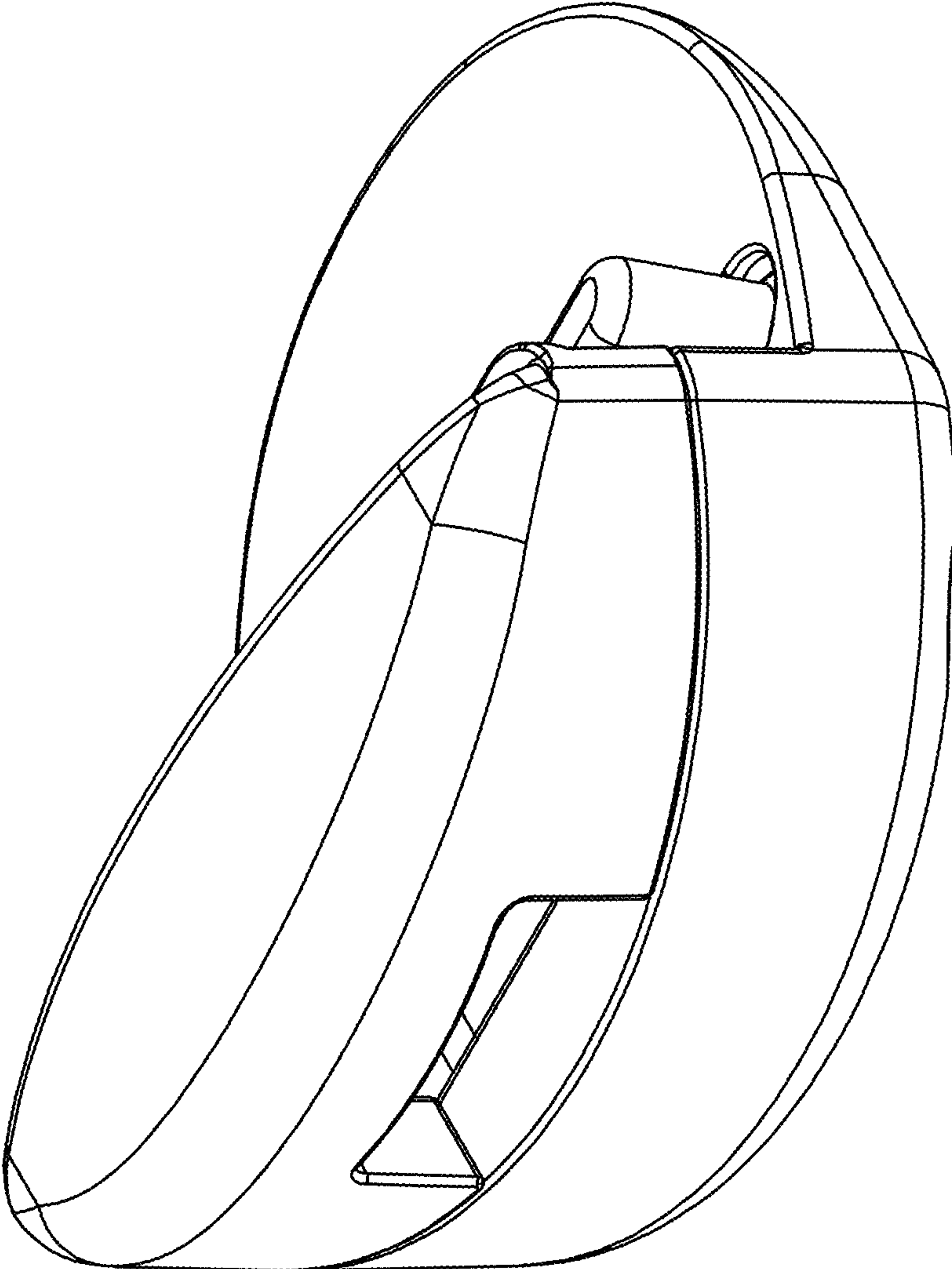


FIG. 2

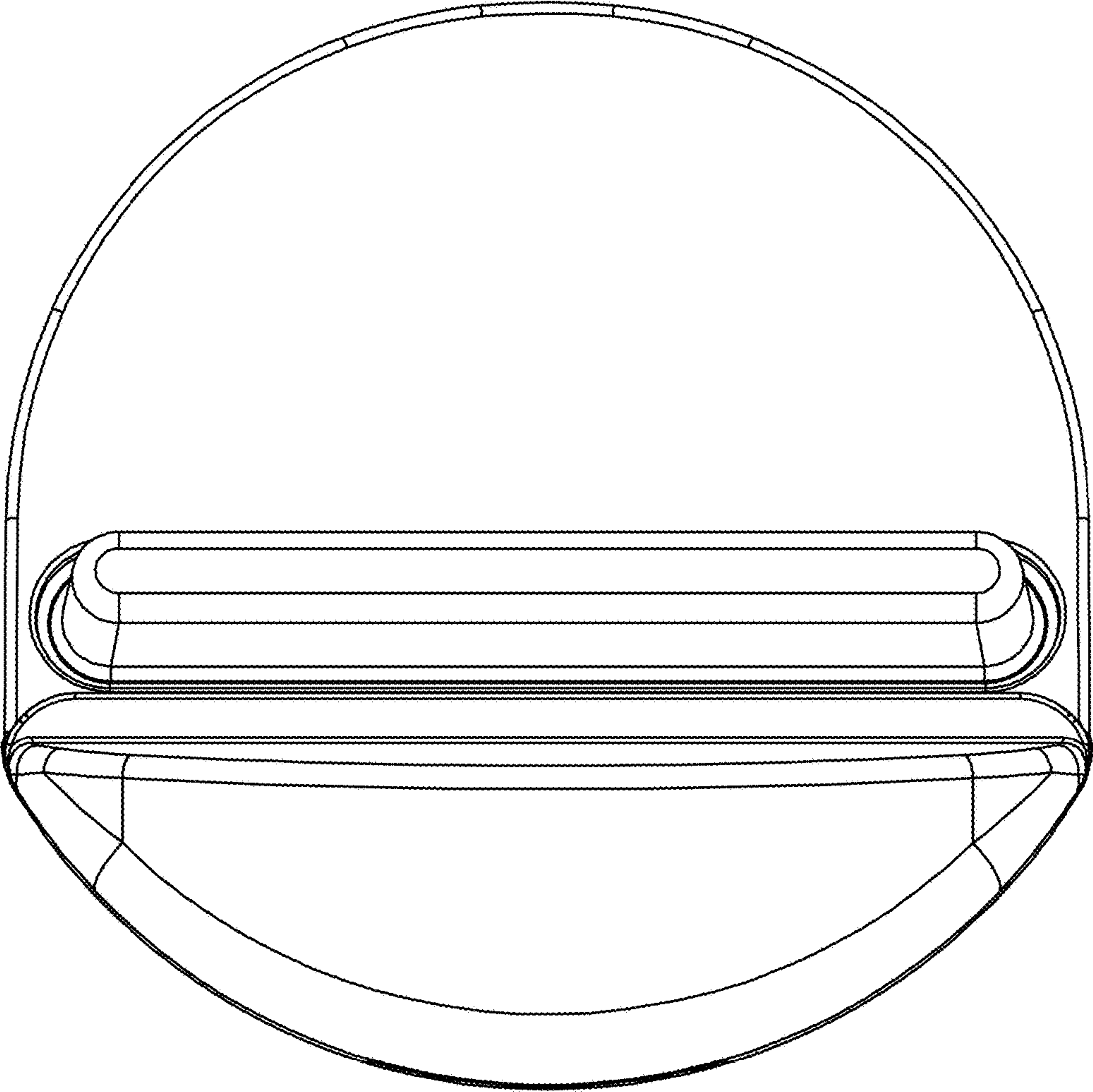


FIG. 3

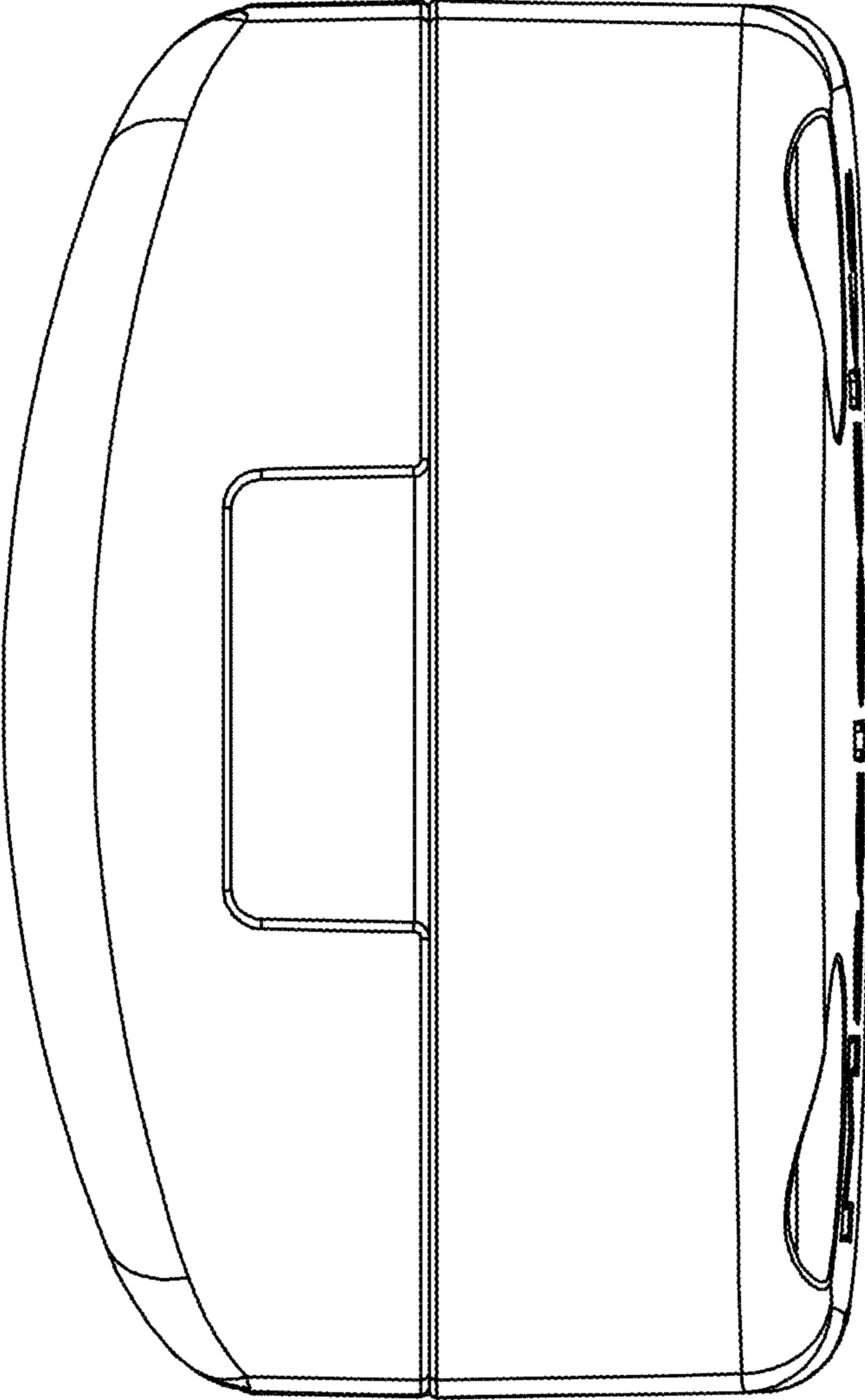


FIG. 4

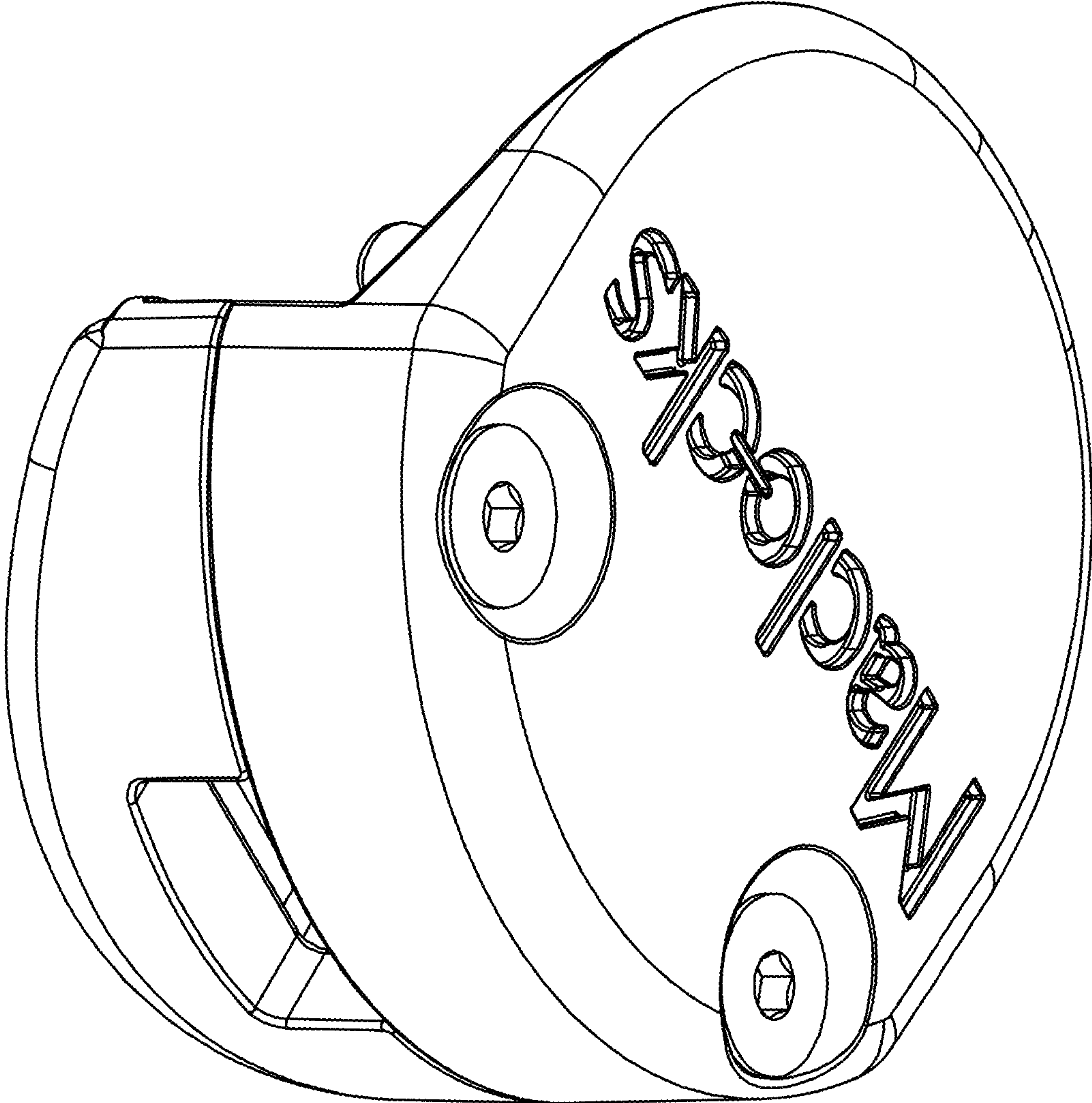


FIG. 5

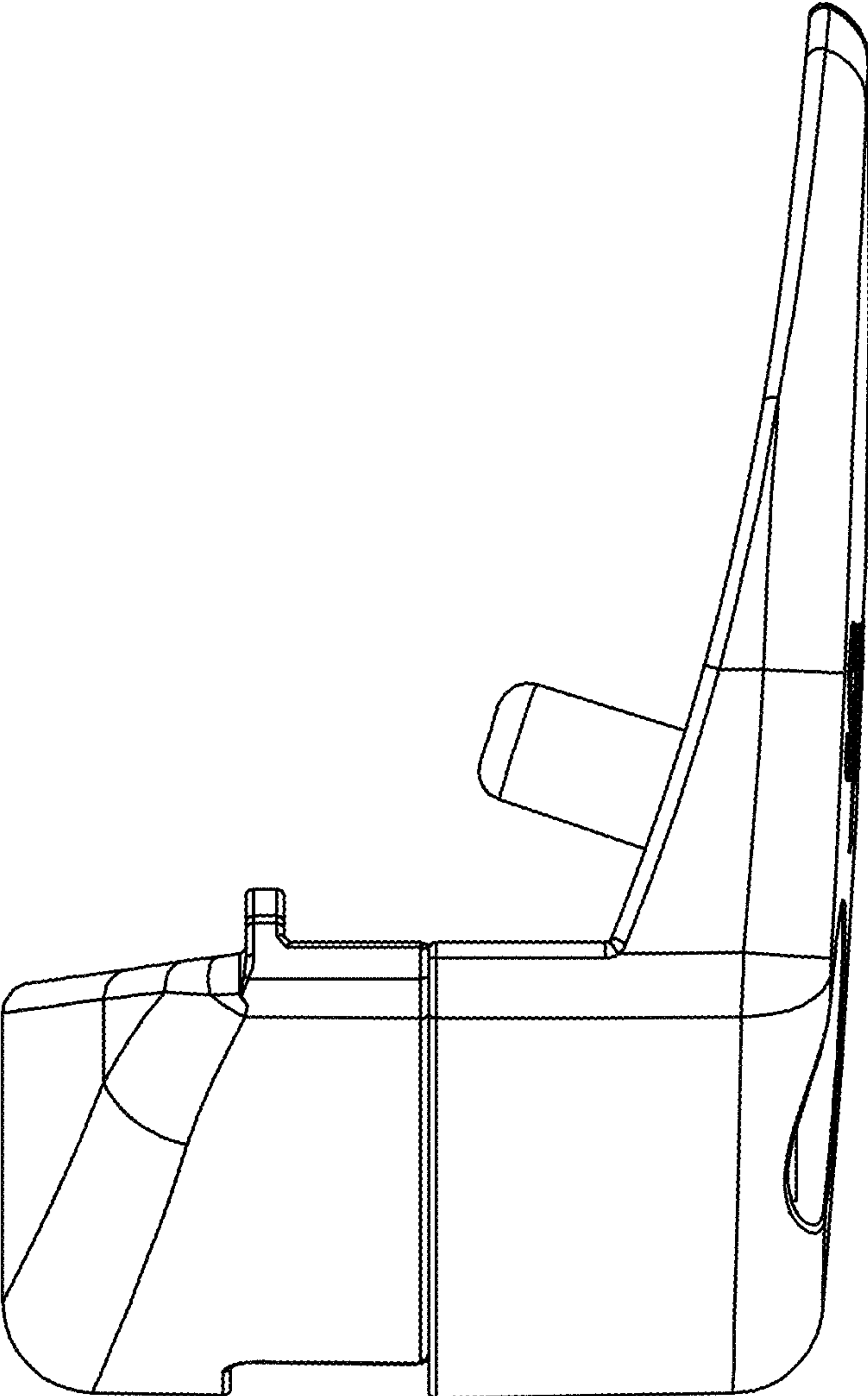


FIG. 6

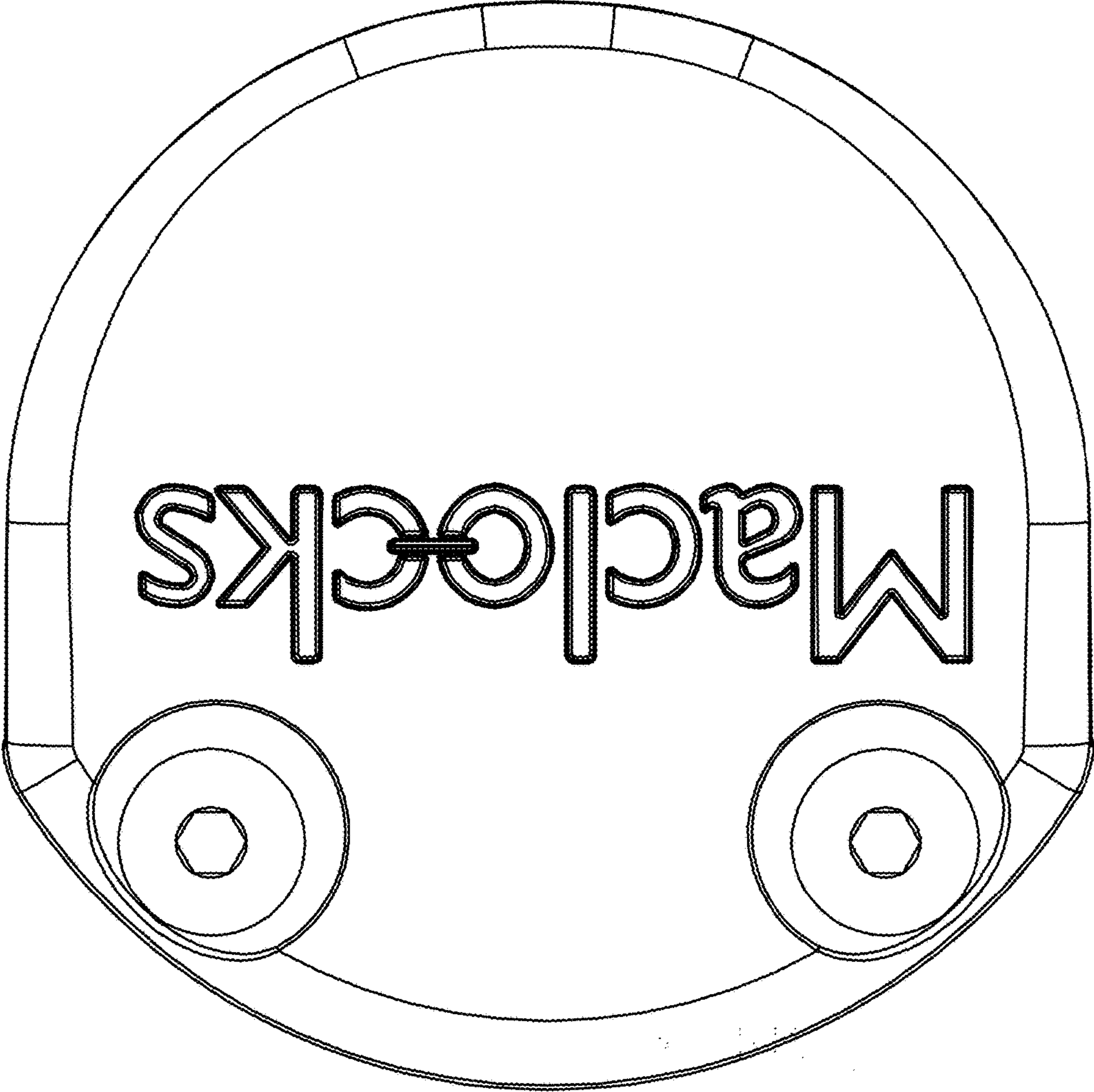


FIG. 7

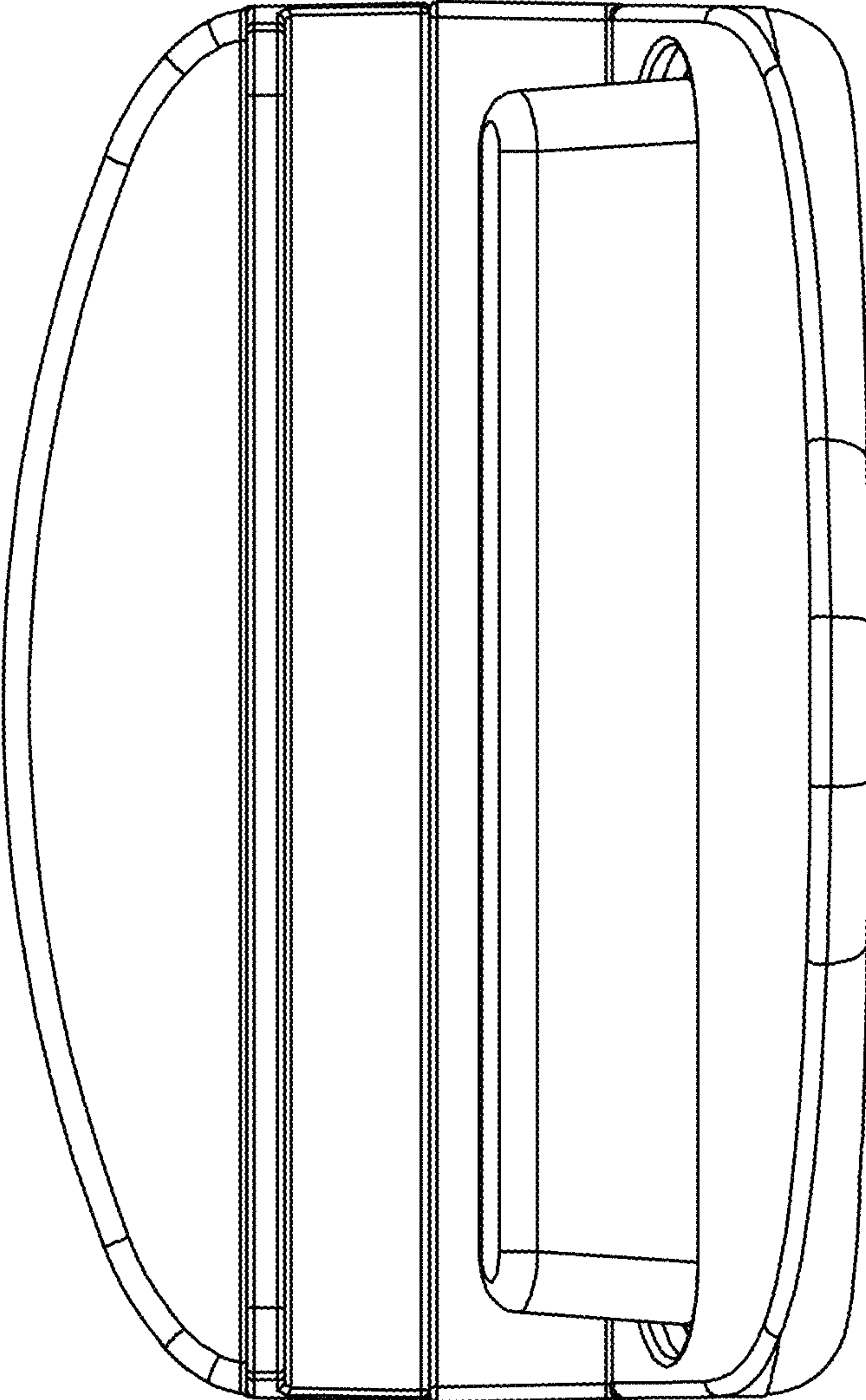


FIG. 8

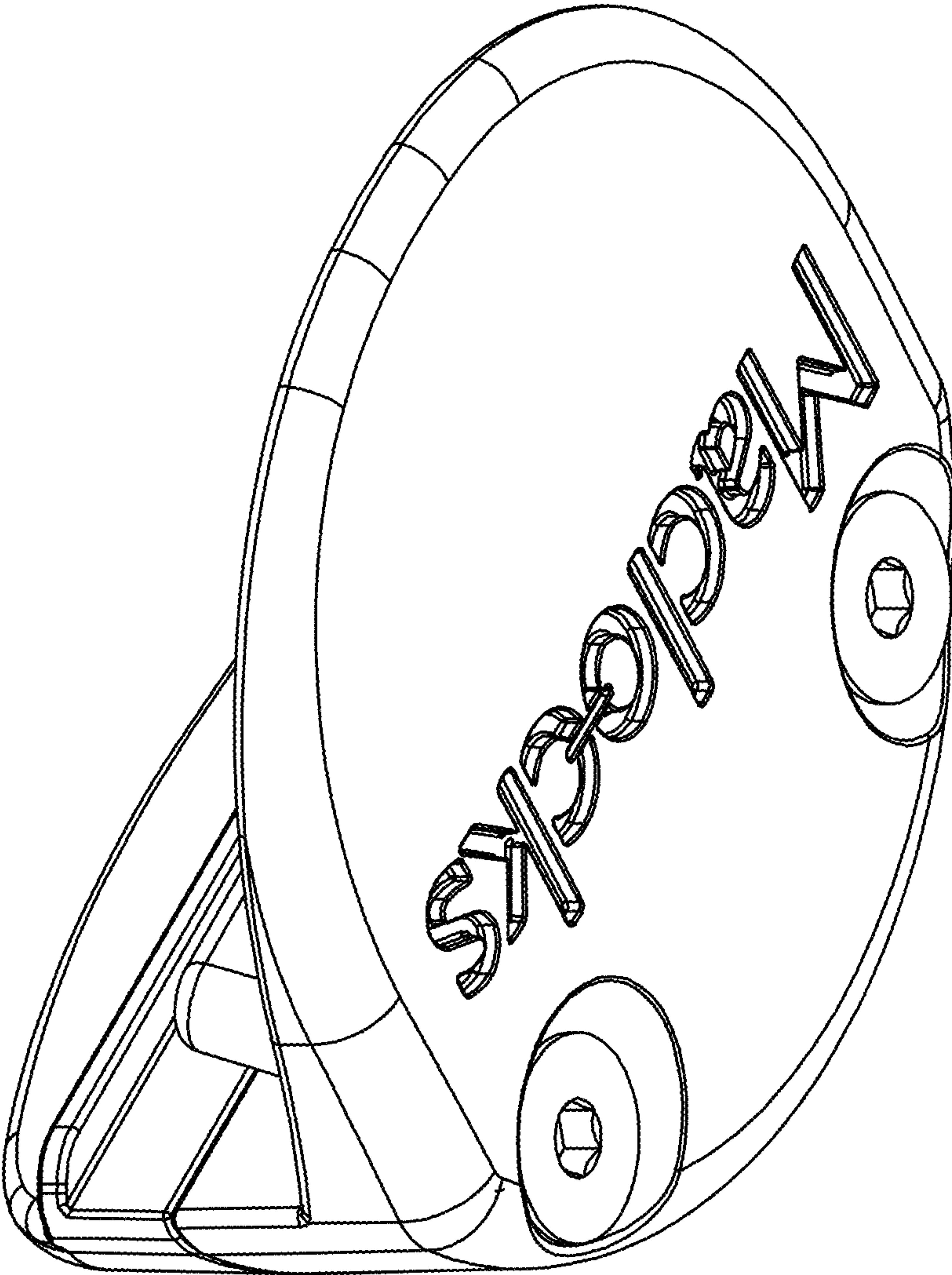


FIG. 9