



US00D806079S

(12) **United States Design Patent**
Benedetti

(10) **Patent No.:** **US D806,079 S**

(45) **Date of Patent:** **** Dec. 26, 2017**

(54) **MONITOR HOUSING**

(71) Applicant: **VOXX International Corporation**,
Hauppauge, NY (US)

(72) Inventor: **David Anthony Benedetti**, Carmel, IN
(US)

(73) Assignee: **VOXX International Corporation**,
Hauppauge, NY (US)

(**) Term: **15 Years**

(21) Appl. No.: **29/549,316**

(22) Filed: **Dec. 21, 2015**

(51) **LOC (10) Cl.** **14-02**

(52) **U.S. Cl.**
USPC **D14/440**; D14/439

(58) **Field of Classification Search**
USPC D14/341–347, 424, 425, 432–453, 464,
D14/468, 469, 471, 496, 511, 138 AA,
D14/138 AD, 138 C, 138 G, 203.1–203.8,
D14/217, 238.1, 248, 250, 257, 299;
361/679.55
CPC G06F 1/1626; G06F 1/1656; G06F 1/1637;
G06F 1/1635; G06F 1/1613; G06F
1/1633; G06F 1/1601; H01Q 1/42; Y10T
29/49995; H05K 5/0217
See application file for complete search history.

(56) **References Cited**

U.S. PATENT DOCUMENTS

D349,714 S	8/1994	Hasegawa	D16/203
D374,023 S	9/1996	Beck et al.	D16/202
D490,082 S *	5/2004	Lenaerts	D14/439
D574,870 S	8/2008	Takahashi	D16/203
D600,245 S *	9/2009	Lam	D14/346
D617,322 S *	6/2010	Takemasa	D14/346
7,736,071 B2	6/2010	Wahl et al.	396/419
D665,807 S *	8/2012	Ferrari	D14/248

D678,288 S *	3/2013	Feldstein	D14/439
D691,141 S *	10/2013	Cruz	D14/307
D702,696 S *	4/2014	Edwards	D14/439
D717,801 S *	11/2014	Rantala	D14/439
D721,754 S	1/2015	Chen	D16/202

(Continued)

Primary Examiner — Austin Murphy

(74) *Attorney, Agent, or Firm* — Bodner & O'Rourke,
LLP; Gerald T. Bodner; Christian P. Bodner

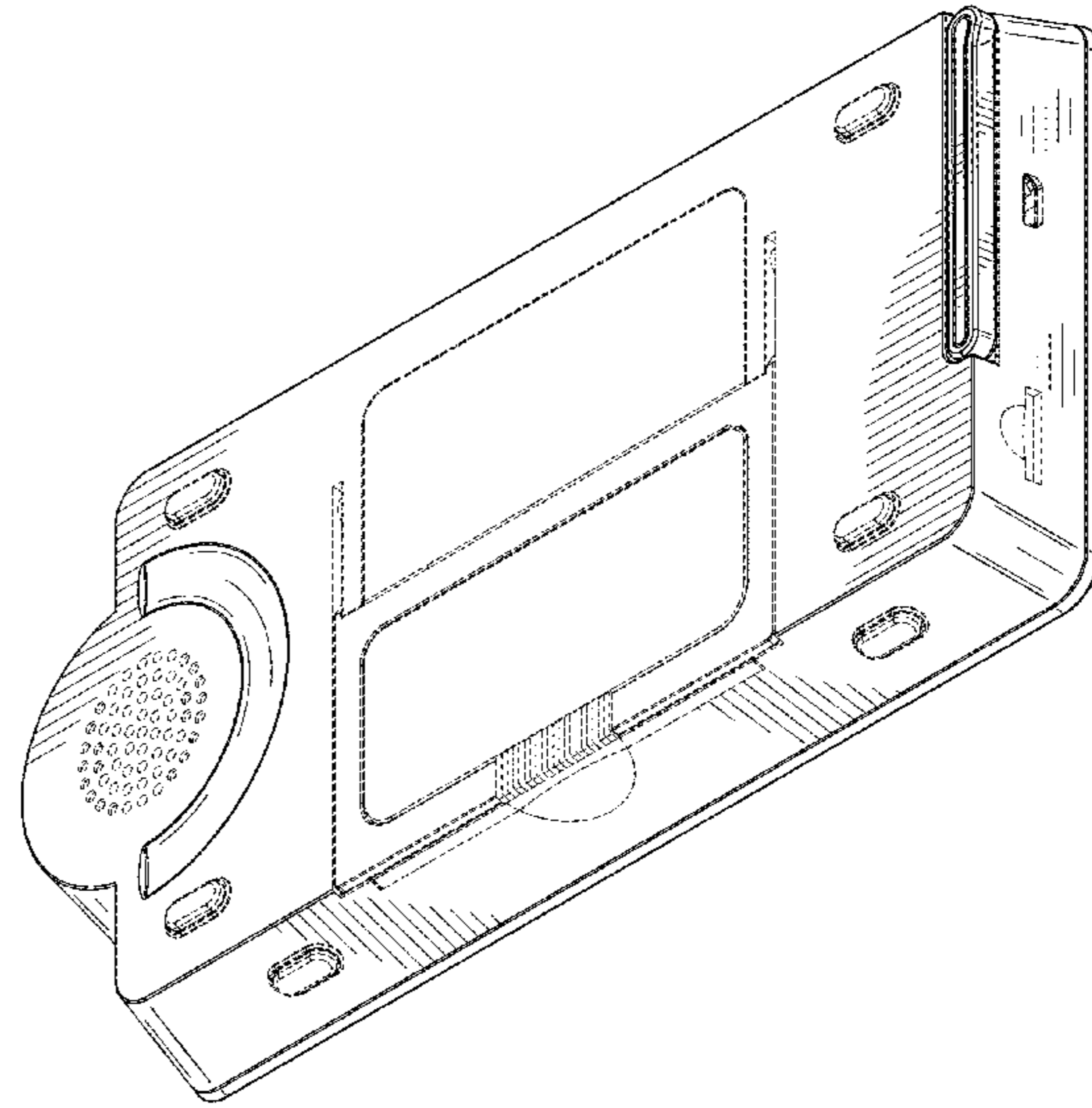
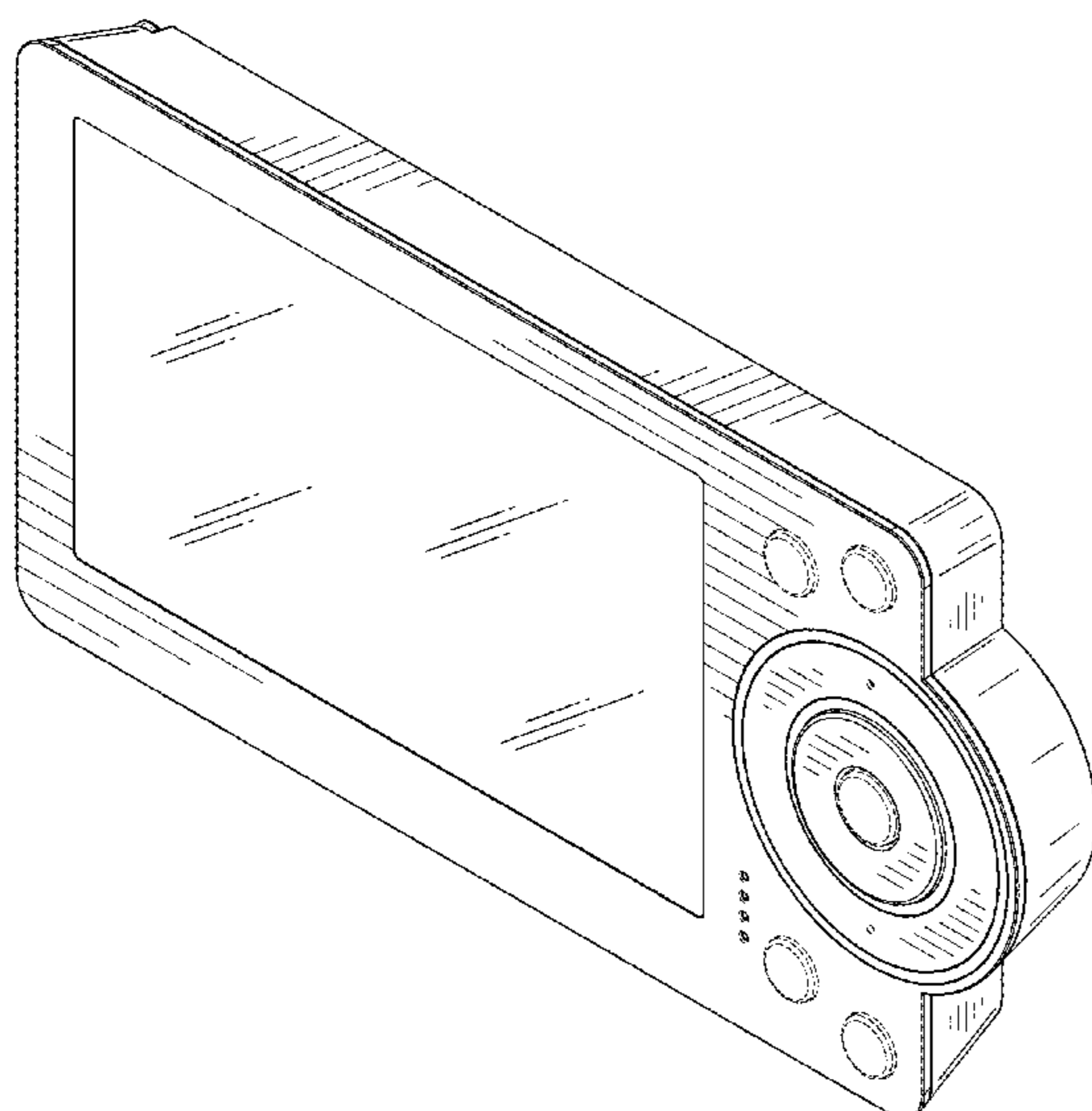
(57) **CLAIM**

The ornamental design of a monitor housing, substantially
as shown and described.

DESCRIPTION

FIG. 1 is a front top perspective view of a monitor housing
showing my new design, with the antenna retracted;
FIG. 2 is a rear bottom perspective view thereof, with the
antenna retracted;
FIG. 3 is a top plan view thereof, with the antenna retracted;
FIG. 4 is a bottom plan view thereof, with the antenna
retracted;
FIG. 5 is a left elevational view thereof, with the antenna
retracted;
FIG. 6 is a right elevational view thereof, with the antenna
retracted;
FIG. 7 is a front elevational view thereof, with the antenna
retracted;
FIG. 8 is a rear elevational view thereof, with the antenna
retracted;
FIG. 9 is a rear perspective view thereof, with the antenna
extended;
FIG. 10 is a front, left perspective view thereof, with the
antenna extended; and,
FIG. 11 is a rear elevational view thereof, with the antenna
extended.
The broken lines and portions contained within are not
claimed.

1 Claim, 9 Drawing Sheets



(56)

References Cited

U.S. PATENT DOCUMENTS

D729,296 S	5/2015	Shelton	D16/202
D733,781 S	7/2015	Chen	D16/202
D734,758 S *	7/2015	Myung	D14/439
D735,200 S *	7/2015	Song	D14/432
D740,871 S	10/2015	Moon et al.	D16/203
D742,954 S	11/2015	Simonelli et al.	D16/203
D743,475 S	11/2015	Cover	D16/242
D748,709 S	2/2016	Jeong	D16/202
D754,233 S	4/2016	Du et al.	D16/211
D761,340 S	7/2016	Pacurariu et al.	D16/202
D769,210 S *	10/2016	Haro	D14/159
D793,465 S *	8/2017	Kong	D14/439
D795,264 S *	8/2017	Wright	D14/439

* cited by examiner

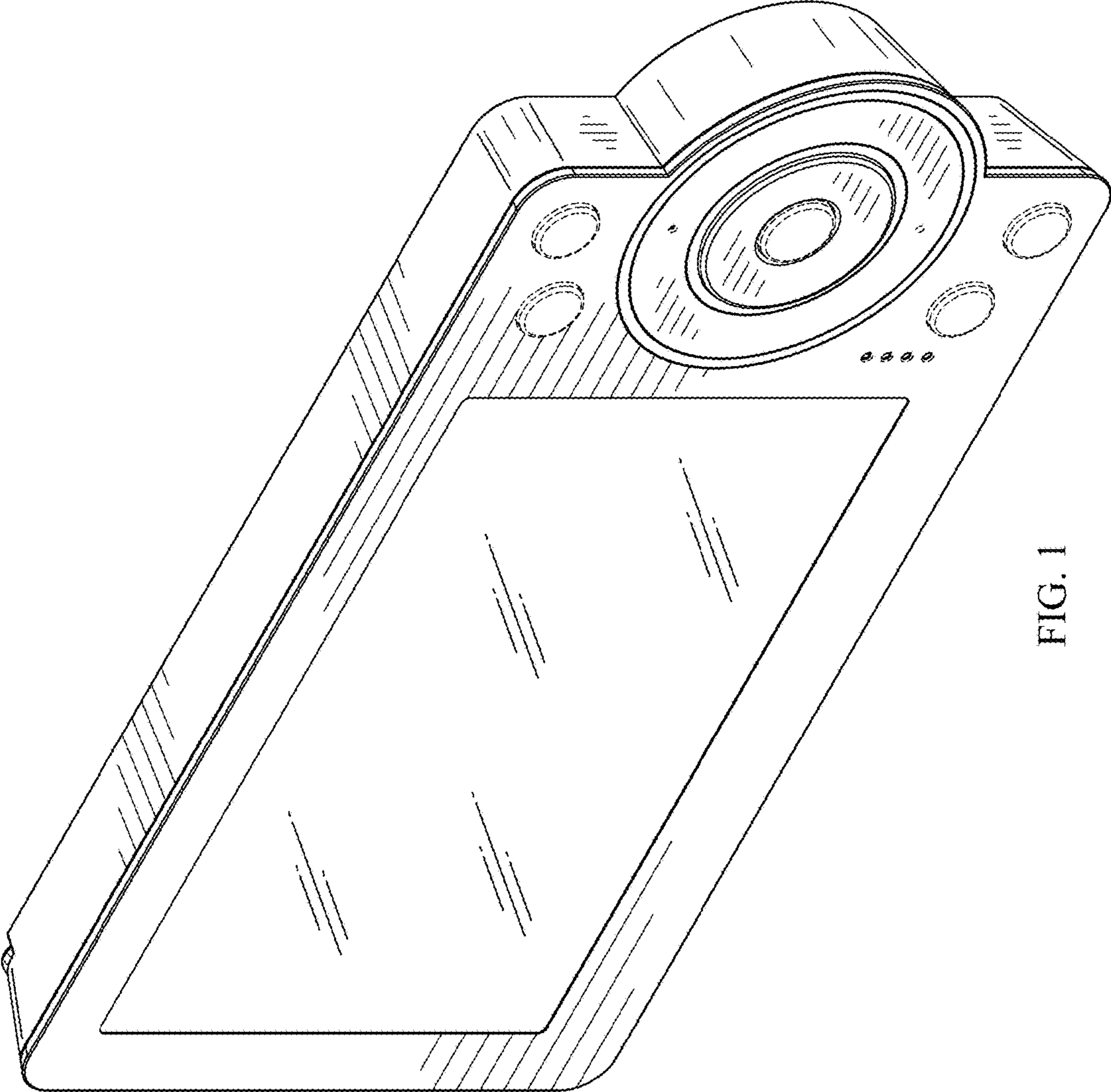


FIG. 1

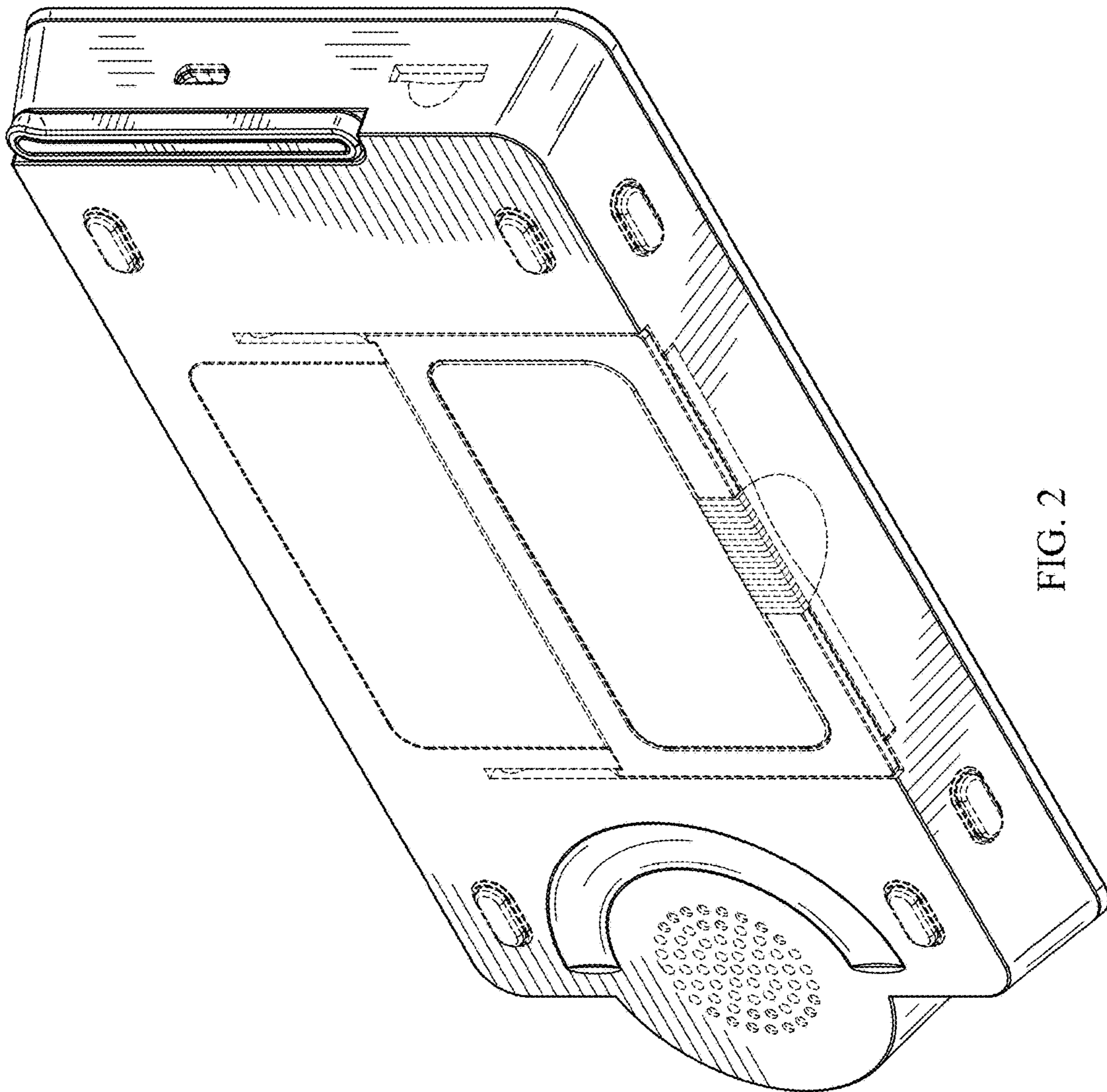


FIG. 2

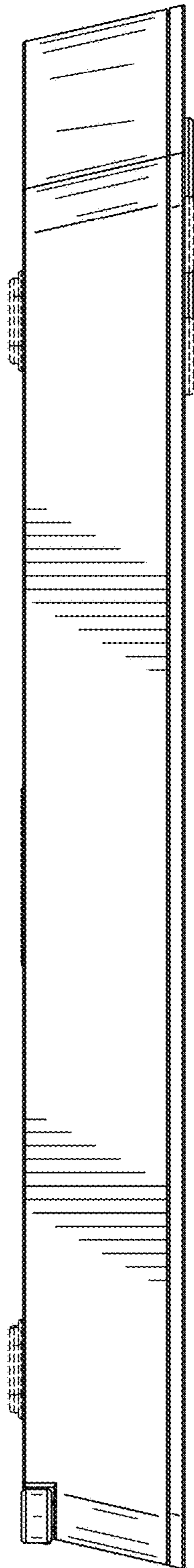


FIG. 3

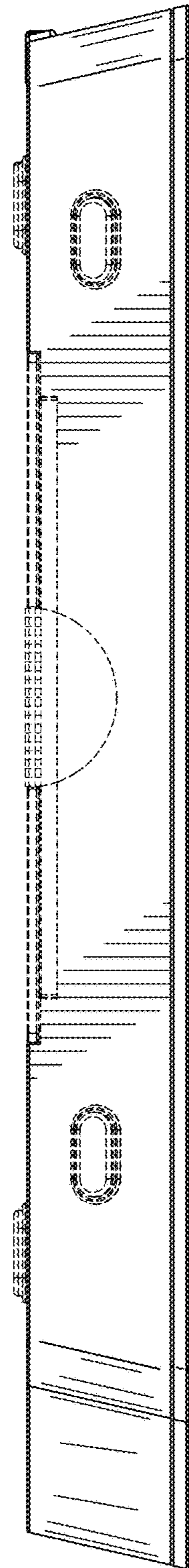


FIG. 4

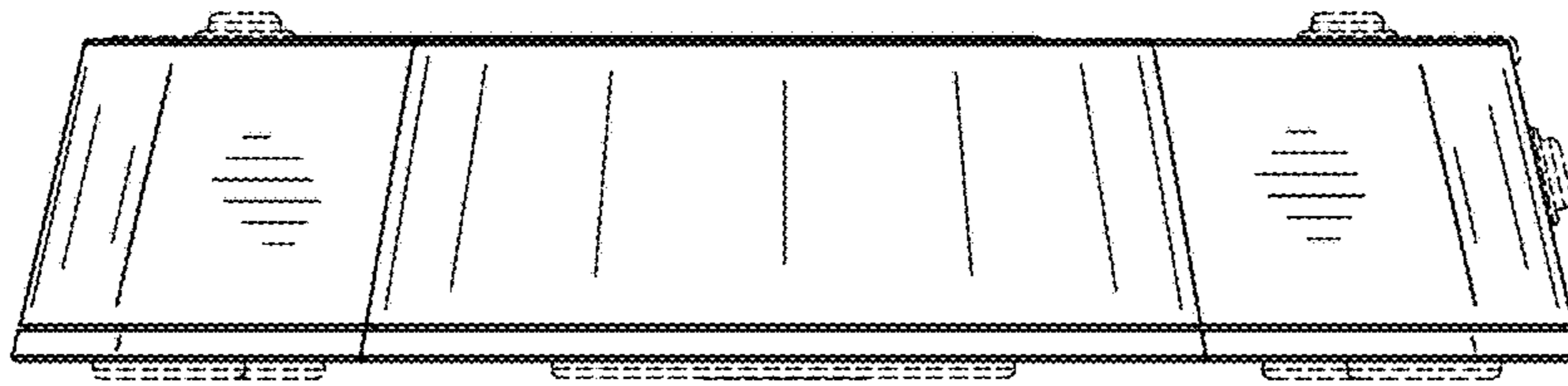


FIG. 6

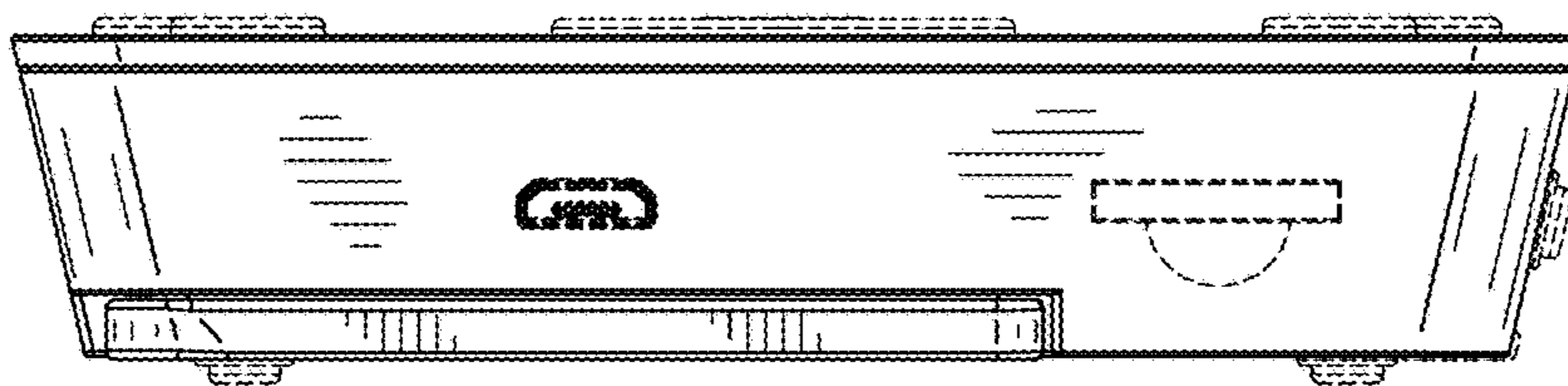


FIG. 5

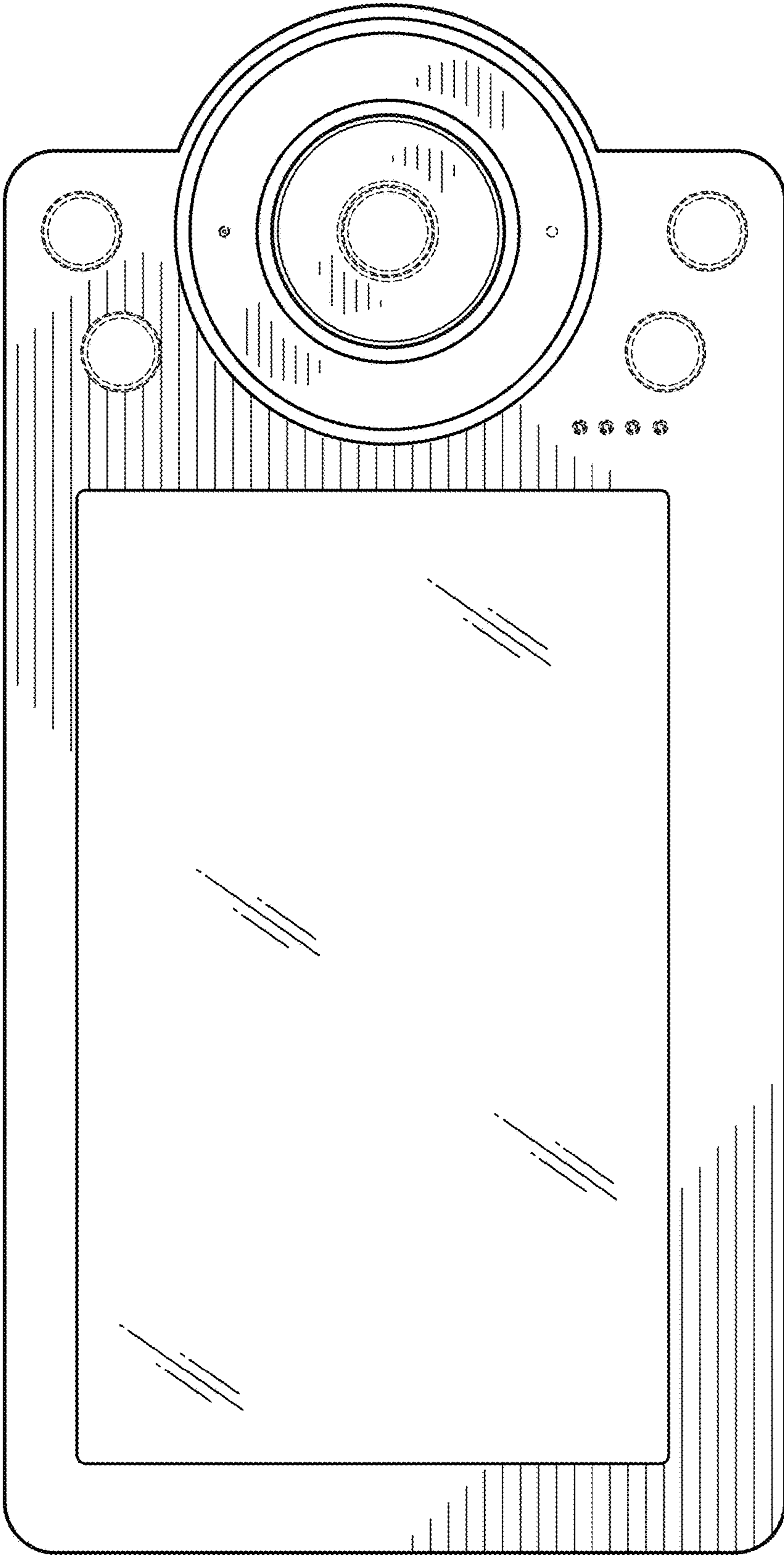


FIG. 7

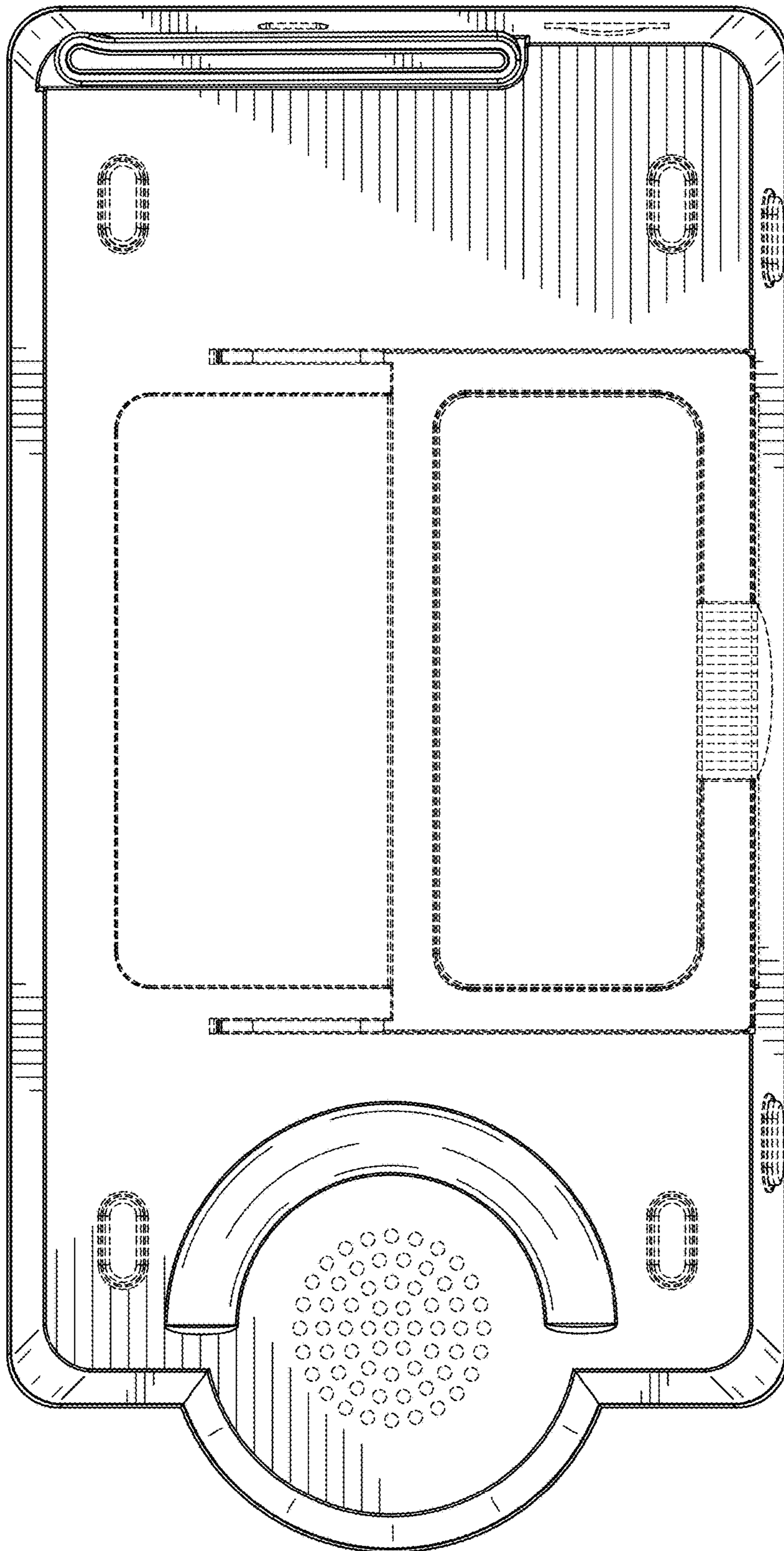


FIG. 8

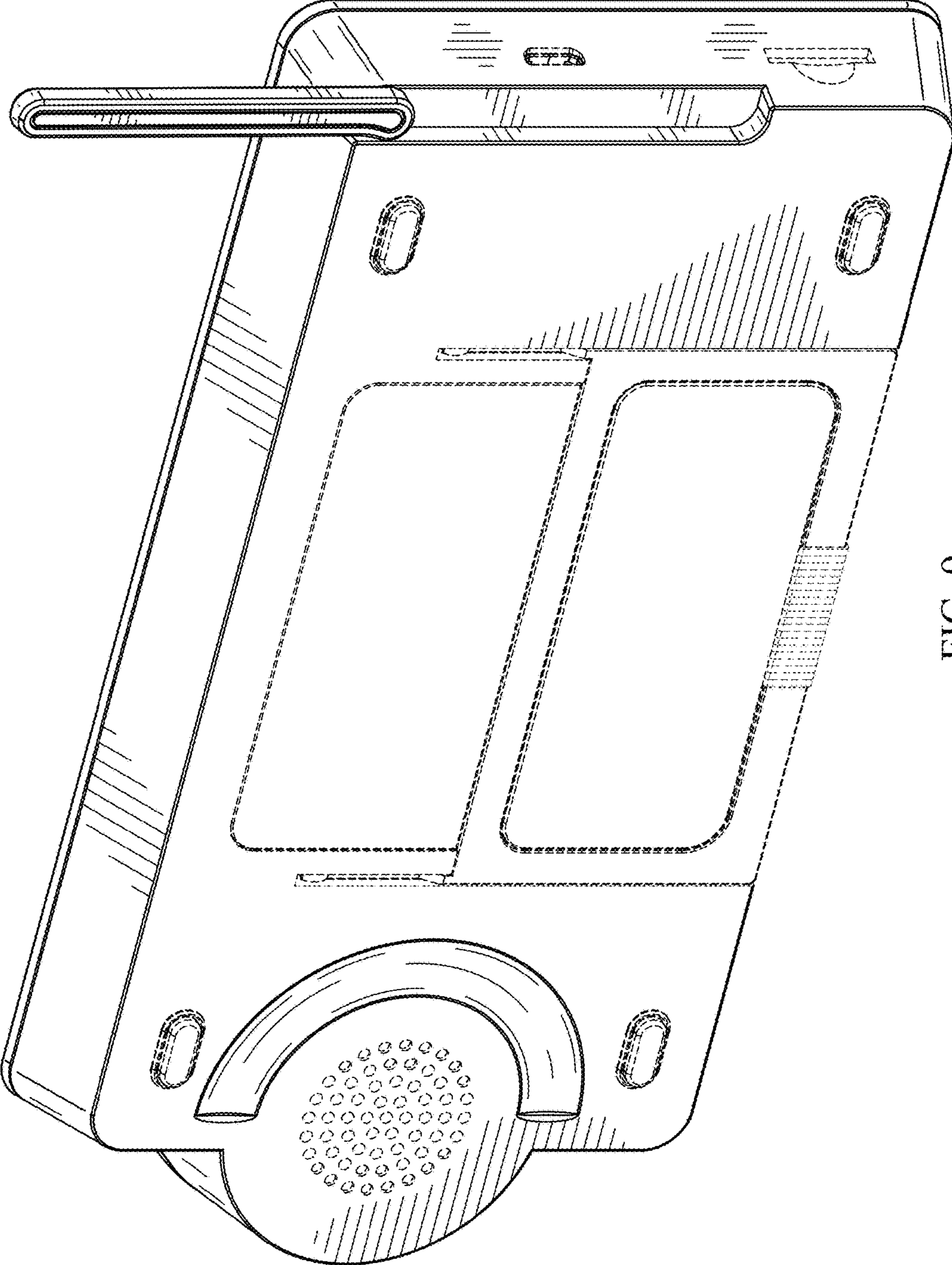


FIG. 9

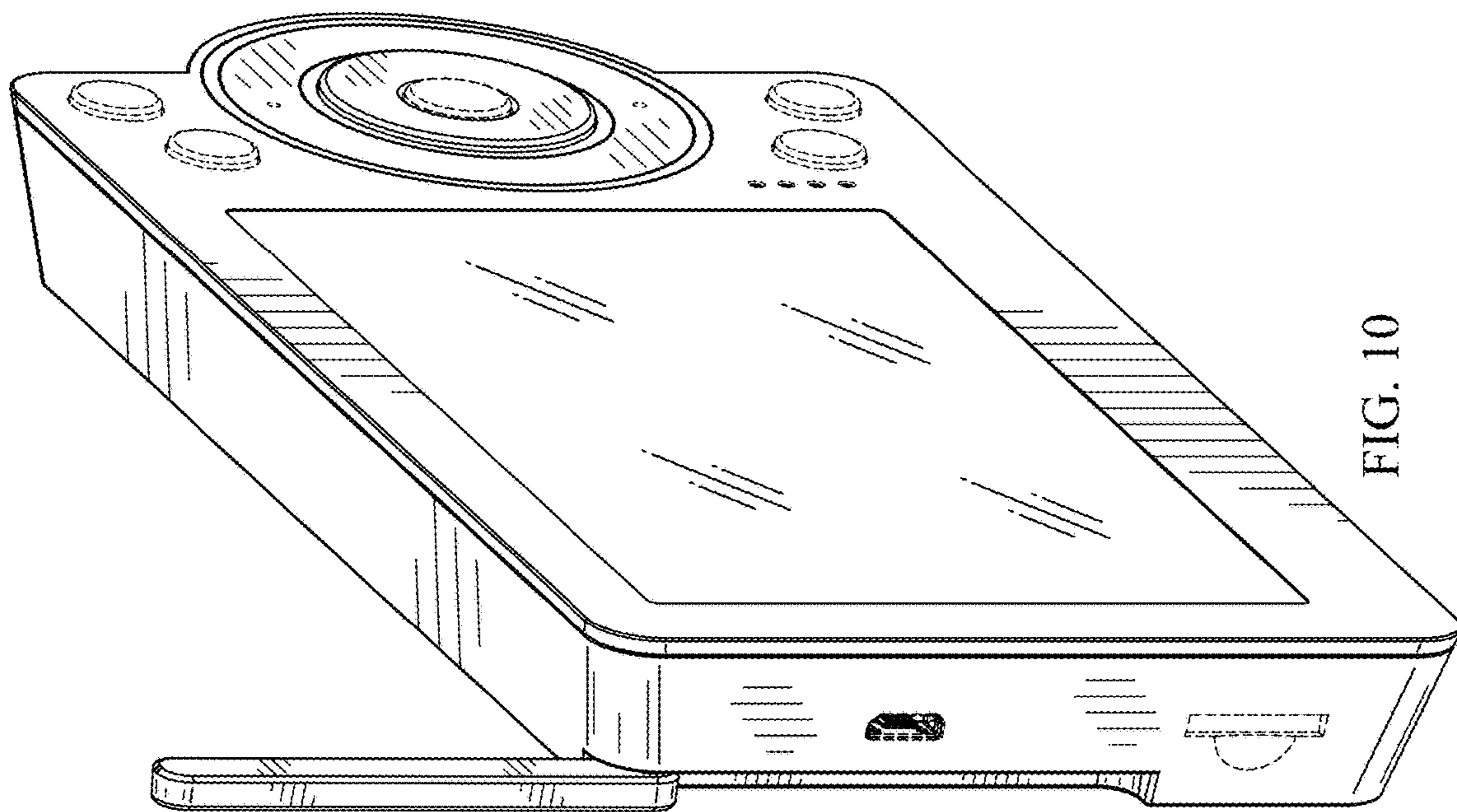


FIG. 10

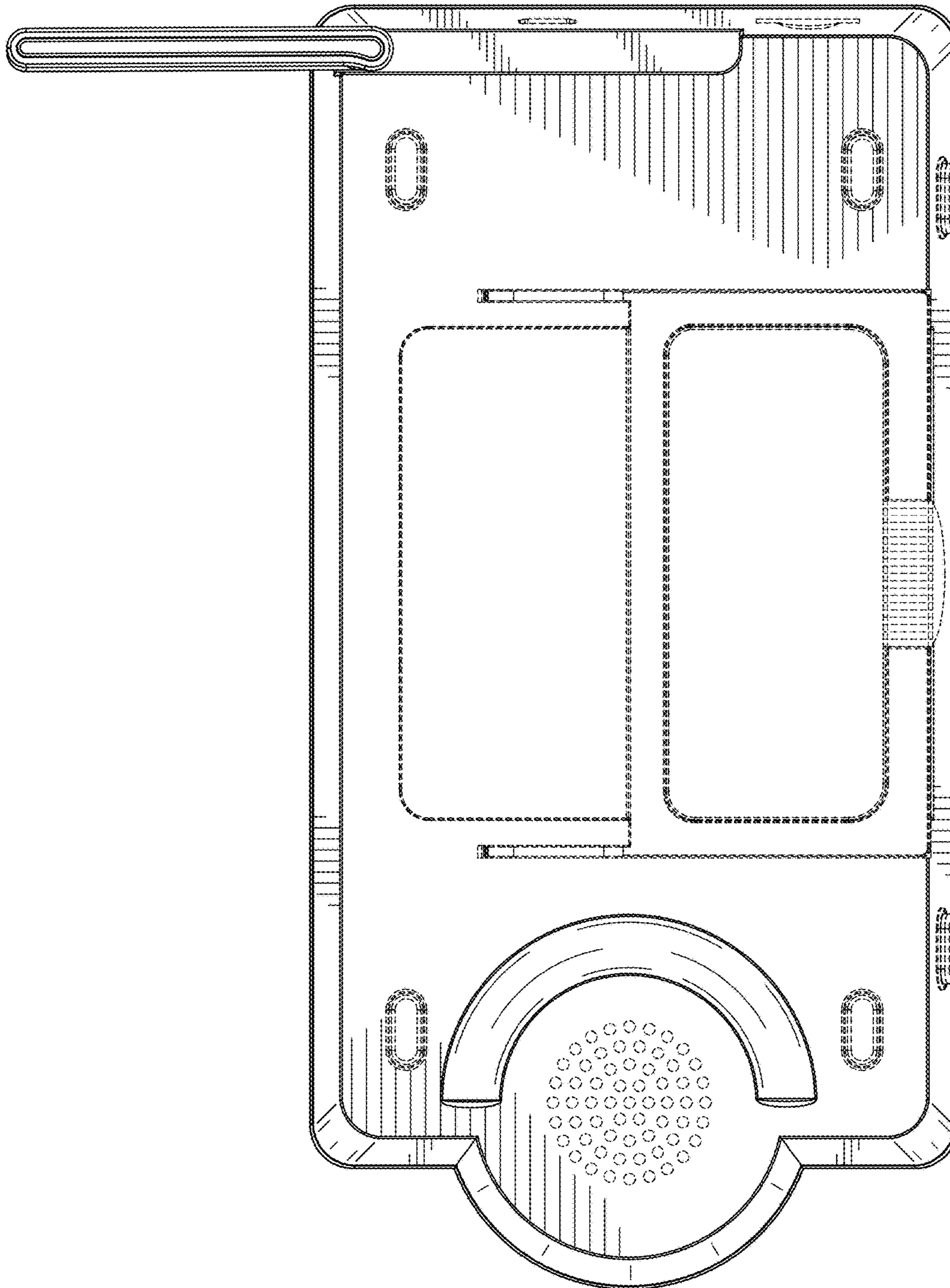


FIG. 11