



US00D806078S

(12) **United States Design Patent** (10) **Patent No.:** **US D806,078 S**  
**Goldman et al.** (45) **Date of Patent:** **\*\* Dec. 26, 2017**

(54) **GAMING SYSTEM CONTROLLER**  
(71) Applicants: **GAMECO, INC.**, Upper Black Eddy, PA (US); **SUZHAPP Americas LLC**, Mount Prospect, IL (US)  
(72) Inventors: **Blaine Graboyes Goldman**, Point Pleasant, PA (US); **Michael Giancaspro**, Bronx, NY (US); **Fernando A. Castillo**, Bartlett, IL (US)  
(73) Assignees: **GAMECO, INC.**, Upper Black Eddy, PA (US); **SUZHAPP AMERICAS LLC**, Mount Prospect, IL (US)

D405,120 S 2/1999 Goto  
D405,835 S 2/1999 Goto  
D416,588 S 11/1999 Goto  
D417,211 S 11/1999 Kaneko et al.  
D417,664 S 12/1999 Goto  
D423,595 S 4/2000 Goto  
D430,222 S 8/2000 Goto  
D430,223 S 8/2000 Goto  
D431,051 S 9/2000 Goto  
D432,179 S 10/2000 Hayes  
D432,180 S 10/2000 Hayes  
D433,076 S 10/2000 Hayes  
D434,769 S 12/2000 Goto  
D434,770 S 12/2000 Goto

(Continued)

(\*\*) Term: **15 Years**  
(21) Appl. No.: **29/586,274**  
(22) Filed: **Dec. 1, 2016**  
(51) **LOC (10) Cl.** ..... **14-02**  
(52) **U.S. Cl.**  
USPC ..... **D14/401; D21/333**  
(58) **Field of Classification Search**  
USPC ..... D14/399-401, 412-418; 345/156, 169, 345/173-179, 905; 453/1, 29-39, 46, 47; D21/324, 328, 333; 273/148 B  
CPC .. A63F 13/02; A63F 9/24; A63F 13/12; A63F 9/00; A63F 11/00; A63F 71/00; G06F 3/02; G06F 3/033; G06G 5/00  
See application file for complete search history.

**OTHER PUBLICATIONS**

Co-pending U.S. Appl. No. 29/586,275, filed Dec. 1, 2016.

*Primary Examiner* — Prabhakar Deshmukh  
(74) *Attorney, Agent, or Firm* — Wilson Sonsini Goodrich & Rosati

(56) **References Cited**  
U.S. PATENT DOCUMENTS

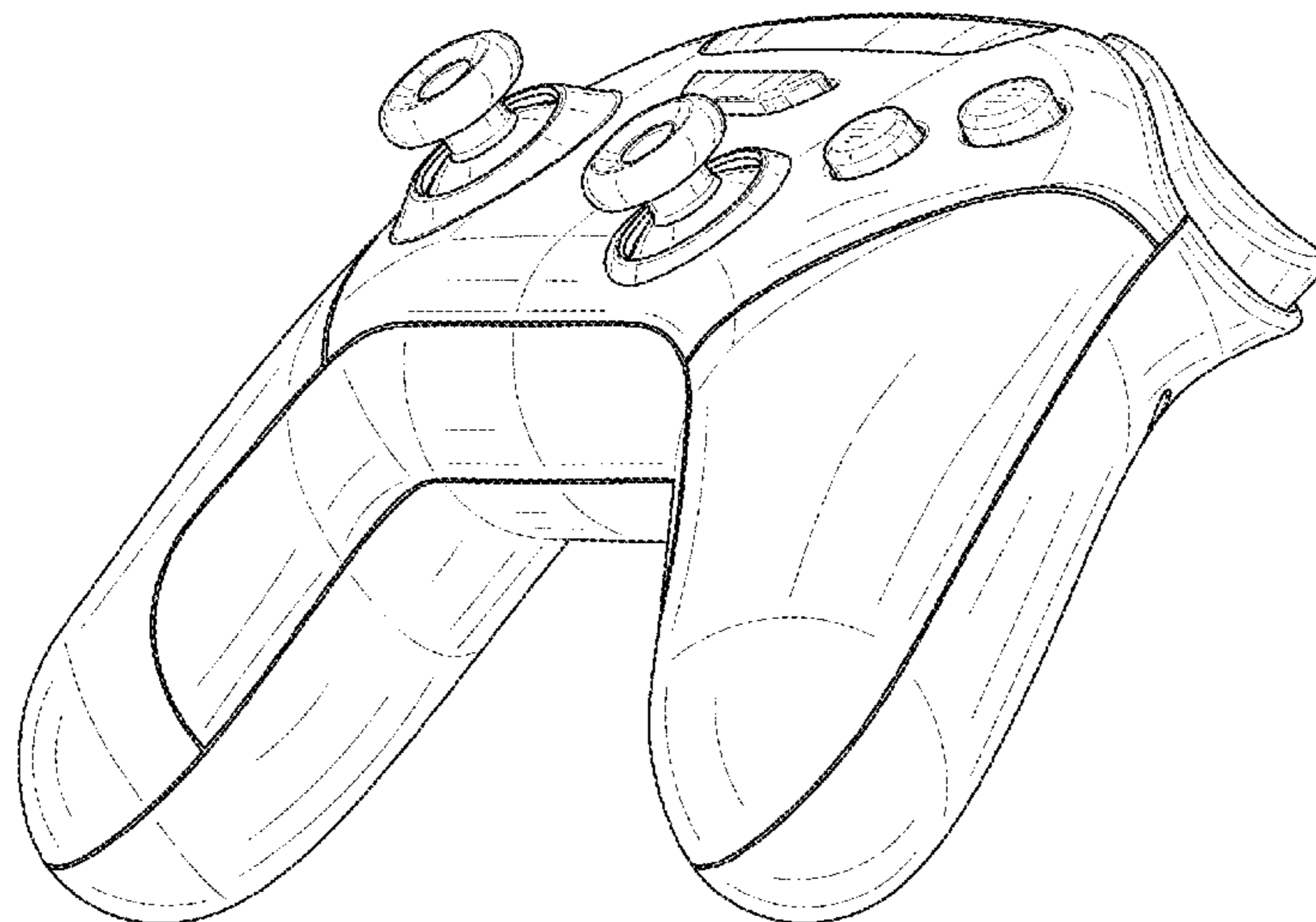
D368,936 S 4/1996 Goto  
D382,603 S 8/1997 Goto  
D393,290 S 4/1998 Goto  
D393,885 S 4/1998 Goto  
D393,886 S 4/1998 Goto  
D397,164 S 8/1998 Goto  
D398,032 S 9/1998 Goto  
D402,317 S 12/1998 Goto

(57) **CLAIM**  
The ornamental design for a gaming system controller, as shown and described.

**DESCRIPTION**

FIG. 1 is a front perspective view of a gaming system controller, showing our new design; FIG. 2 is a top perspective view thereof; FIG. 3 is a front elevational view thereof; FIG. 4 is a rear elevational view thereof; FIG. 5 is a left elevational view thereof; FIG. 6 is a right elevational view thereof; FIG. 7 is a top plan view thereof; and, FIG. 8 is a bottom plan view thereof. The broken lines in the drawings represent portions of the gaming system controller that form no part of the claimed design.

**1 Claim, 6 Drawing Sheets**



(56)

References Cited

U.S. PATENT DOCUMENTS

D435,551 S 12/2000 Hayes  
 D438,543 S 3/2001 Goto  
 D439,580 S 3/2001 Goto  
 D441,369 S 5/2001 Goto  
 D441,759 S 5/2001 Goto  
 D442,180 S 5/2001 Goto  
 D442,601 S 5/2001 Goto  
 D442,967 S 5/2001 Goto  
 D443,617 S 6/2001 Goto  
 D443,618 S 6/2001 Goto  
 D443,877 S 6/2001 Goto  
 D444,469 S 7/2001 Goto  
 D444,470 S 7/2001 Goto  
 D444,790 S 7/2001 Goto  
 D446,217 S 8/2001 Goto  
 D447,486 S 9/2001 Goto  
 D452,867 S 1/2002 Goto  
 D465,785 S 11/2002 Goto  
 D469,767 S \* 2/2003 Hussaini ..... D14/401  
 D481,734 S 11/2003 Goto  
 D521,015 S 5/2006 Hayes et al.  
 D522,011 S 5/2006 Hayes et al.  
 D522,012 S 5/2006 Hayes et al.  
 D545,317 S \* 6/2007 Wang ..... D14/401  
 D547,763 S 7/2007 Hayes et al.  
 D558,651 S 1/2008 Ikeda et al.  
 D563,480 S 3/2008 Blaseflug et al.  
 D565,668 S 4/2008 Baseflug et al.  
 D566,781 S 4/2008 Ikeda et al.  
 D566,782 S 4/2008 Ikeda et al.  
 D568,409 S 5/2008 Ikeda et al.  
 D571,367 S 6/2008 Goto et al.  
 D571,806 S 6/2008 Goto  
 D572,254 S 7/2008 Goto  
 D581,422 S 11/2008 Hayes et al.

D594,065 S 6/2009 Oikawa et al.  
 D594,066 S 6/2009 Oikawa et al.  
 D594,067 S 6/2009 Oikawa et al.  
 D602,097 S 10/2009 Oikawa et al.  
 D607,515 S 1/2010 Oikawa et al.  
 7,762,553 B2 \* 7/2010 Harris ..... A63F 13/02  
 273/148 B  
 D620,939 S \* 8/2010 Suetake ..... D14/401  
 D630,211 S 1/2011 Goto et al.  
 D630,212 S 1/2011 Goto et al.  
 D631,049 S 1/2011 Goto et al.  
 D637,153 S 5/2011 Ikeda et al.  
 D638,016 S 5/2011 Ikeda  
 D646,275 S 10/2011 Ikeda et al.  
 D654,120 S \* 2/2012 Lin ..... D14/434  
 D655,760 S 3/2012 Ikeda et al.  
 D656,556 S 3/2012 Ikeda et al.  
 D656,557 S 3/2012 Ikeda et al.  
 D656,996 S 4/2012 Mikhailov et al.  
 D657,823 S \* 4/2012 Gutowski ..... D21/325  
 D658,178 S 4/2012 Ikeda et al.  
 D658,179 S 4/2012 Ikeda et al.  
 D658,719 S 5/2012 Ikeda et al.  
 D659,140 S 5/2012 Ikeda et al.  
 D665,461 S 8/2012 Ikeda et al.  
 D709,498 S 7/2014 Morris et al.  
 D709,499 S 7/2014 Morris et al.  
 D709,882 S 7/2014 Morris et al.  
 D714,872 S 10/2014 Chung et al.  
 D715,296 S \* 10/2014 Huang ..... D14/401  
 D715,865 S 10/2014 Morris et al.  
 9,251,701 B2 \* 2/2016 Plagge ..... G08C 23/04  
 D767,682 S \* 9/2016 Bellinghausen ..... D14/401  
 D768,786 S \* 10/2016 Seflic ..... D14/401  
 D781,784 S \* 3/2017 Dingle ..... D13/108  
 D784,986 S \* 4/2017 Kujawski ..... D14/401  
 D794,717 S \* 8/2017 Kujawski ..... D14/401

\* cited by examiner

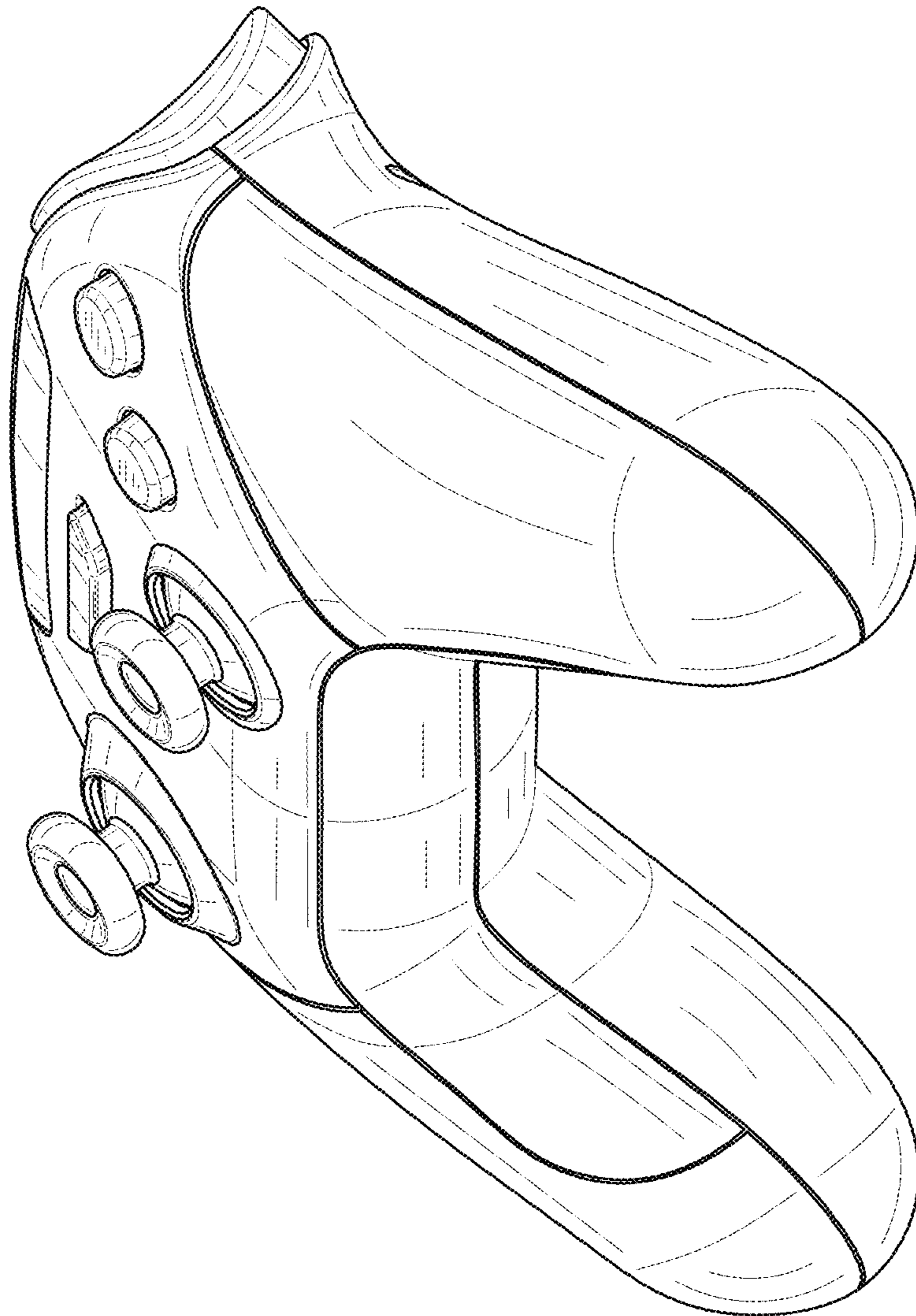


FIG. 1

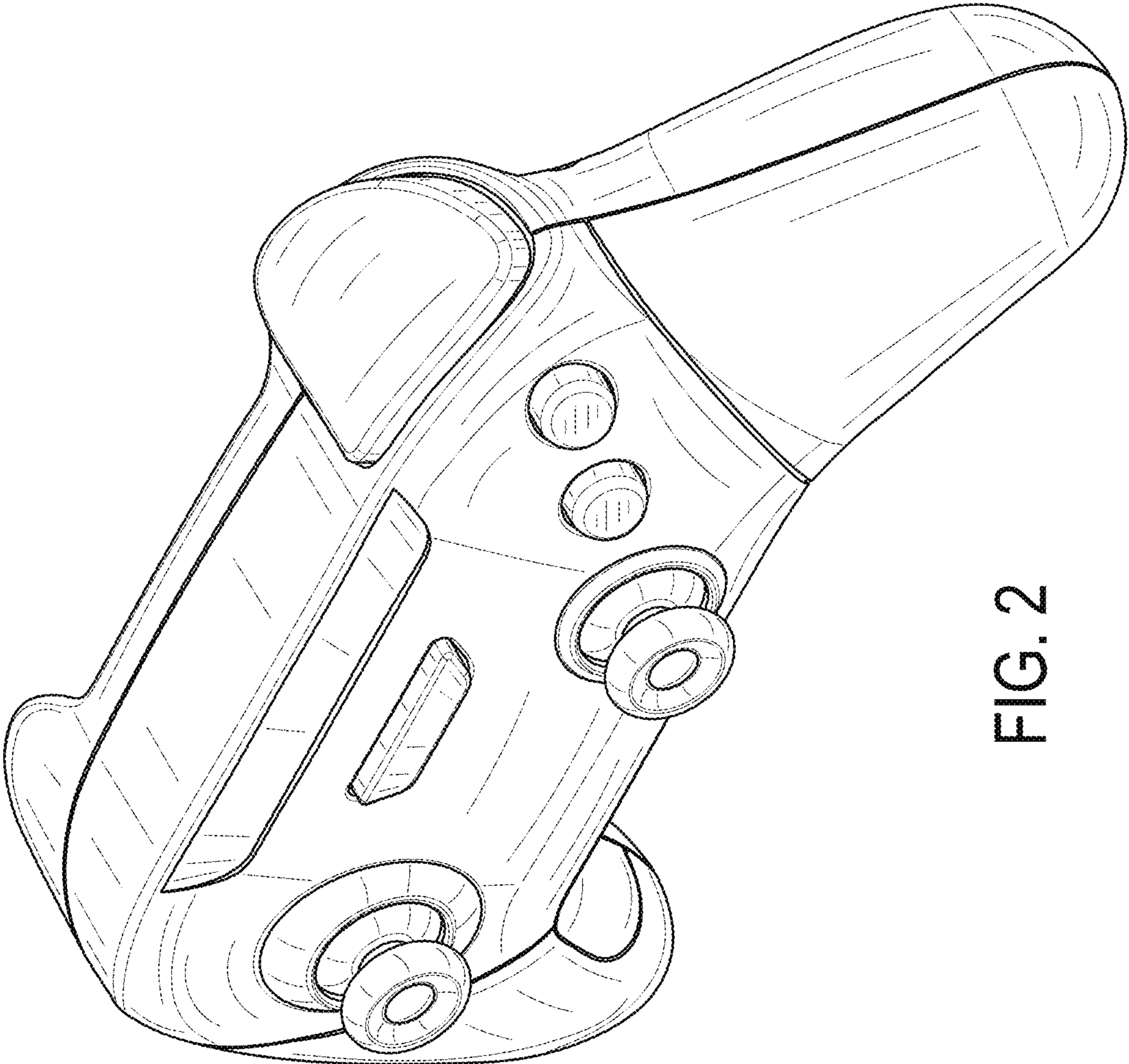


FIG. 2

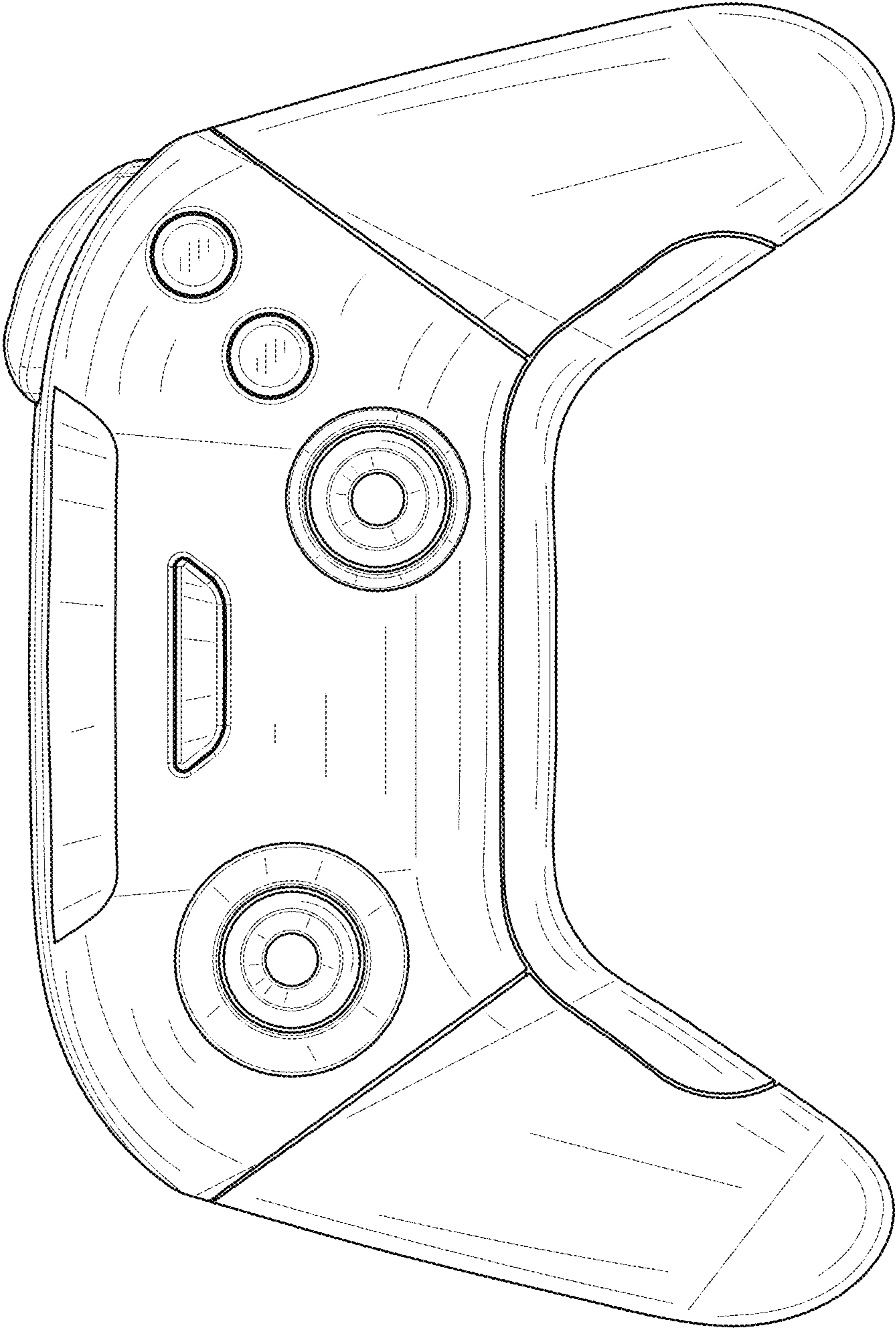


FIG. 3

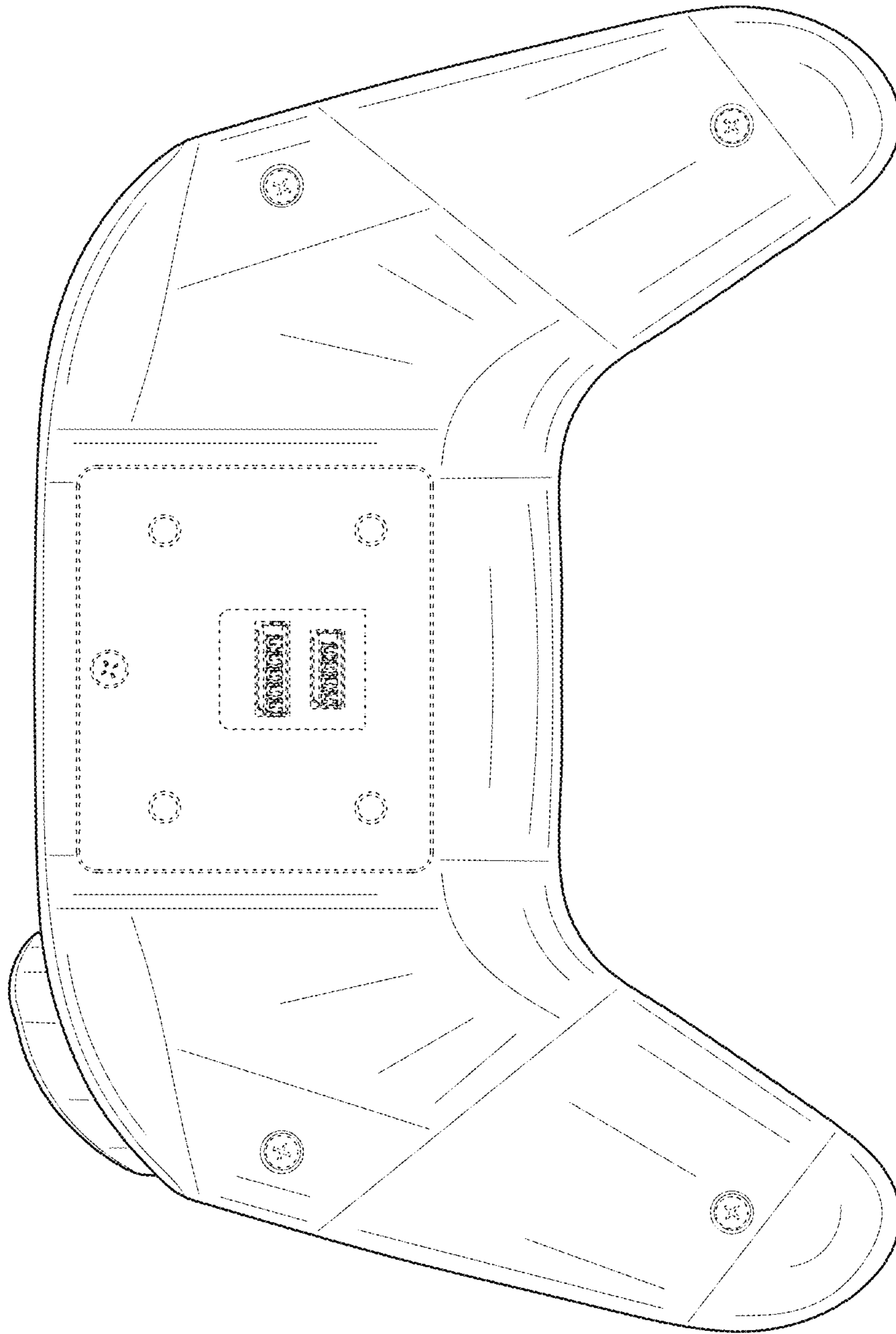


FIG. 4

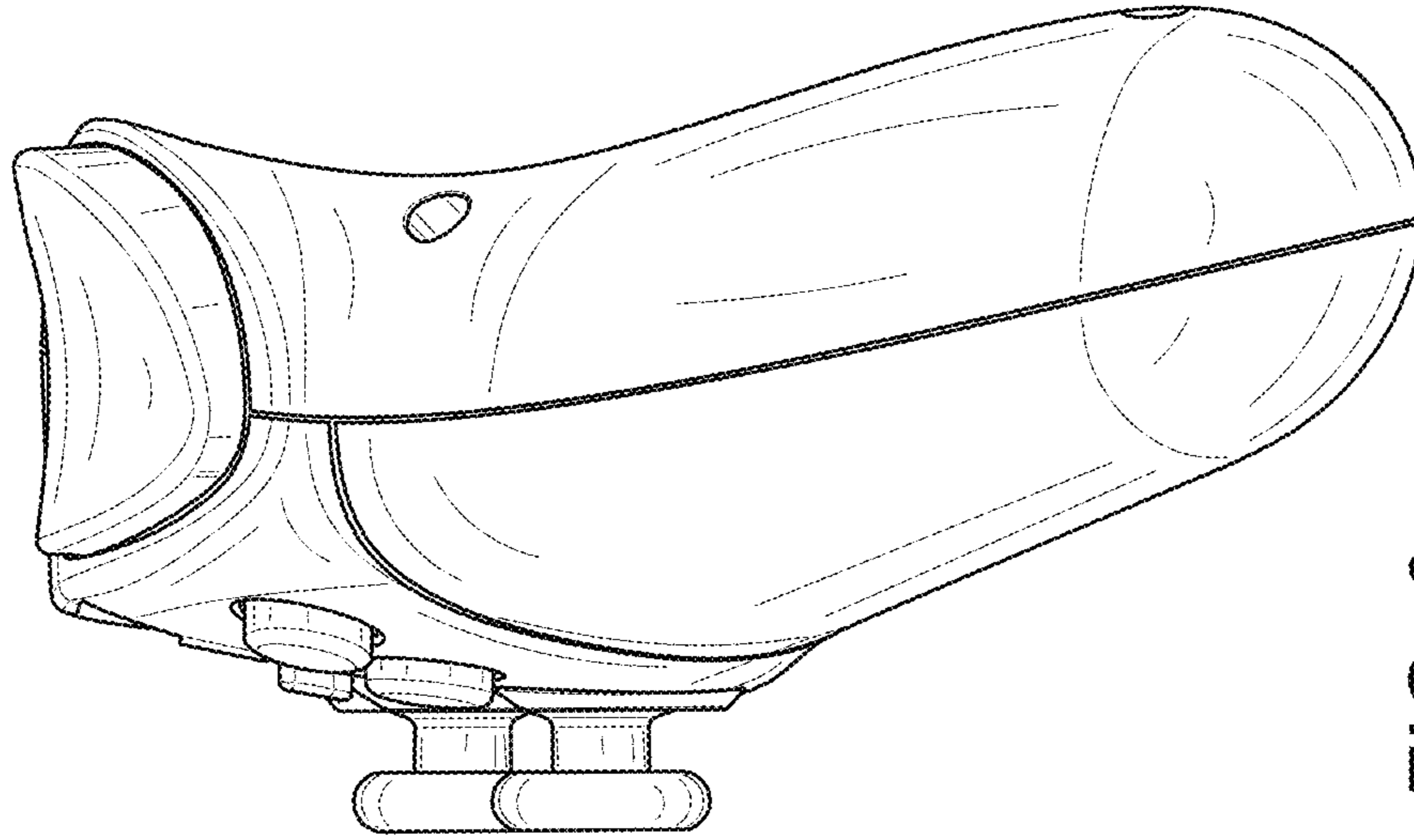


FIG. 5

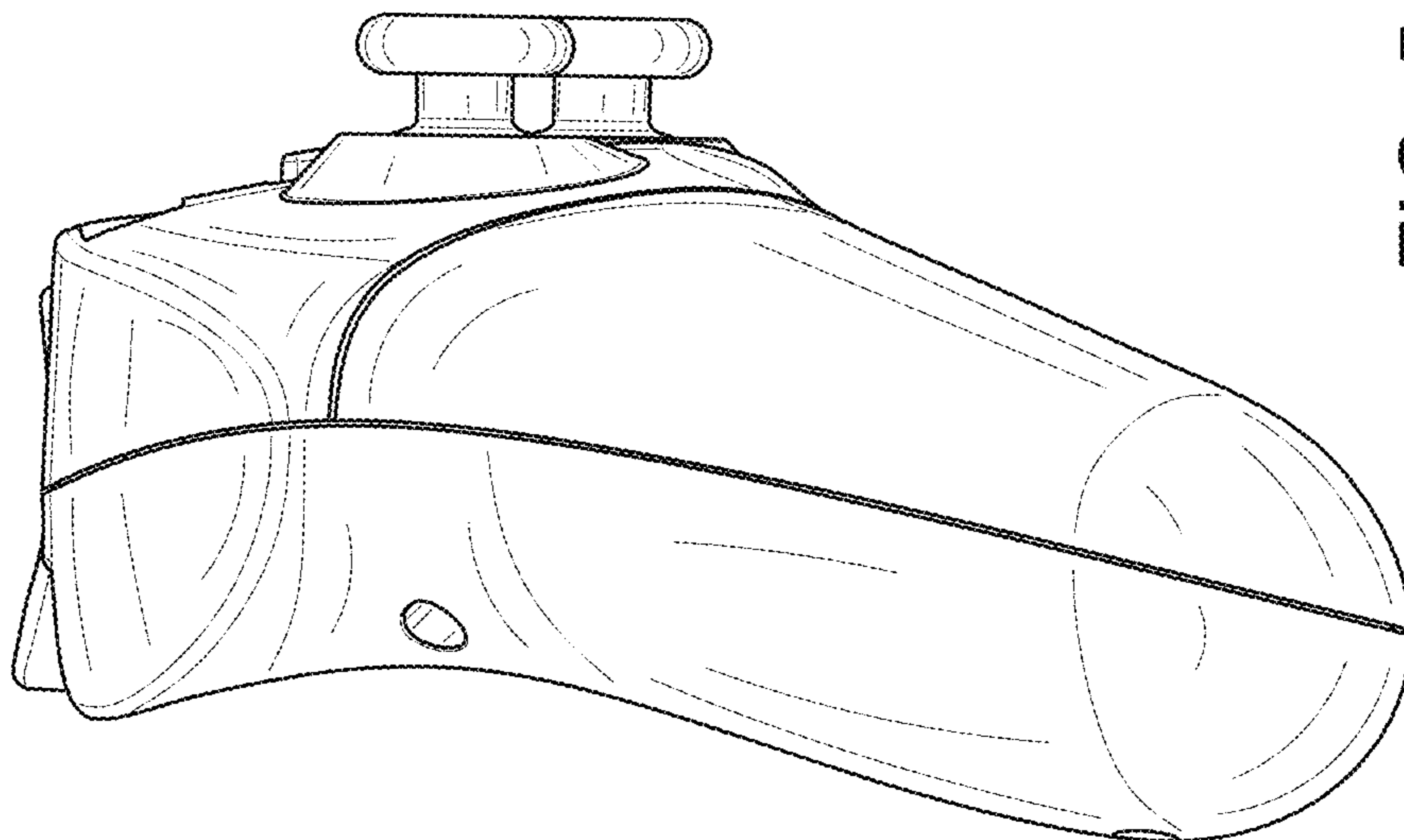


FIG. 6

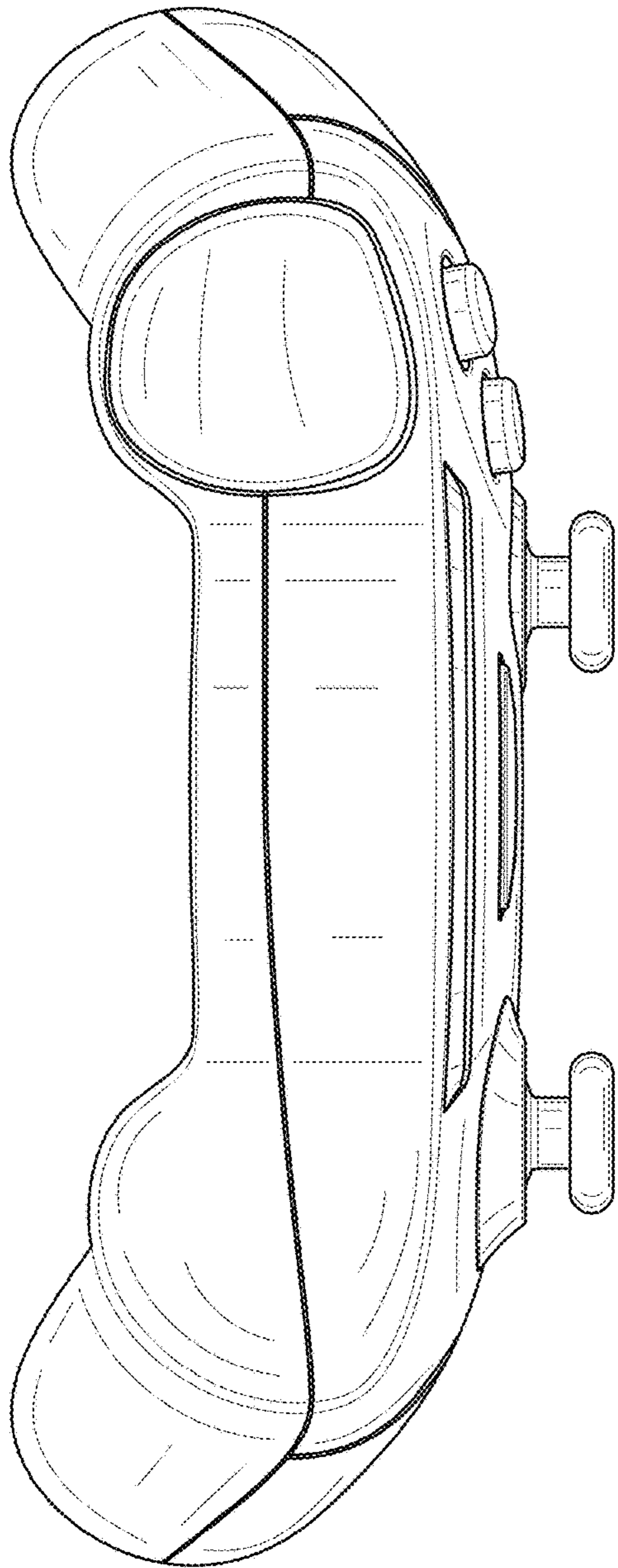


FIG. 7

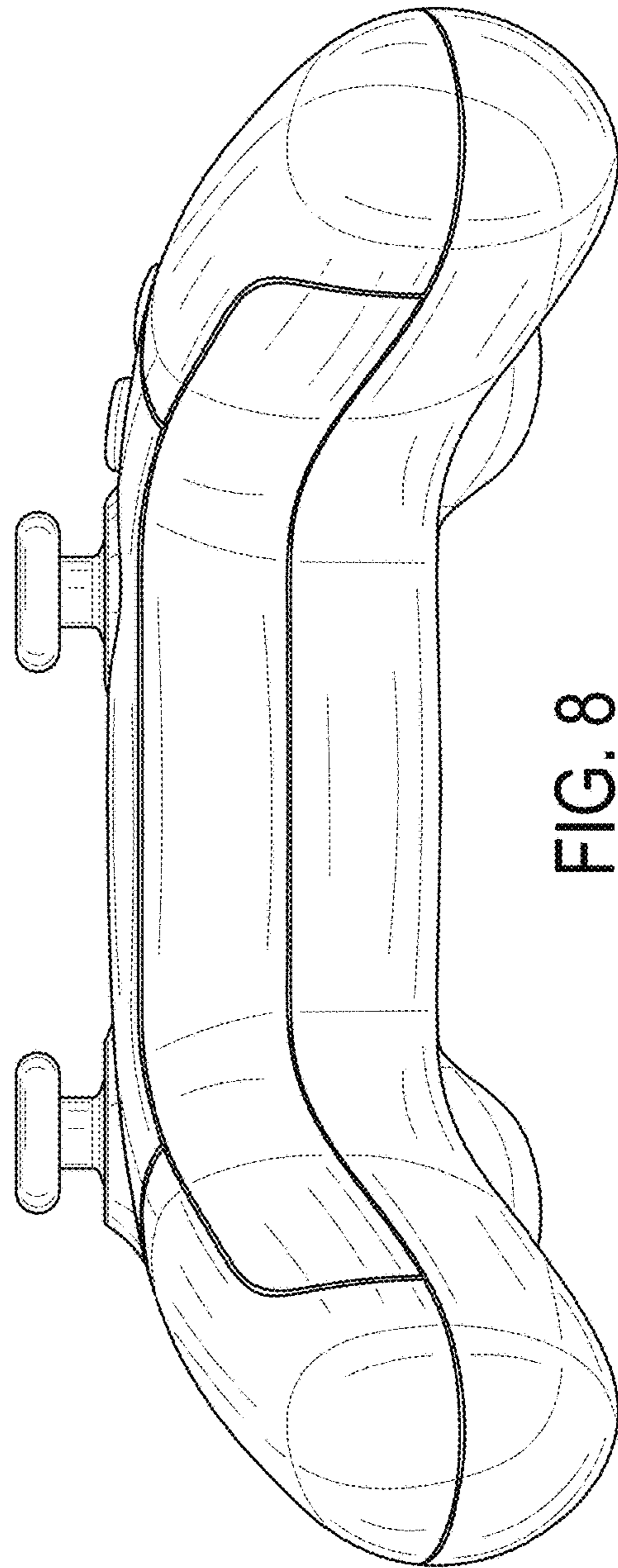


FIG. 8