



US00D806074S

(12) **United States Design Patent** (10) **Patent No.:** **US D806,074 S**
Kuwahara et al. (45) **Date of Patent:** **** Dec. 26, 2017**

- (54) **ACCESSORY MODULE FOR HEADSET**
- (71) Applicant: **Intel Corporation**, Santa Clara, CA (US)
- (72) Inventors: **Atsuo Kuwahara**, Portland, OR (US);
Glen Stevens, Portland, OR (US);
Jared L. Rue, Hillsboro, OR (US);
Reese Bowes, Portland, OR (US);
Manish A. Hiranandani, Fremont, CA (US)
- (73) Assignee: **Intel Corporation**, Santa Clara, CA (US)
- (**) Term: **15 Years**
- (21) Appl. No.: **29/588,567**
- (22) Filed: **Dec. 21, 2016**
- (51) **LOC (10) Cl.** **14-02**
- (52) **U.S. Cl.**
USPC **D14/372**
- (58) **Field of Classification Search**
USPC D14/372, 496, 432, 371, 125, 126, 129,
D14/299; D16/300-342; 351/158, 153,
351/144; 345/7-9, 905; 455/344;
348/115, 53, 121, 739
CPC G02B 27/017; G02B 27/0158; G02B
27/0161; G02B 27/0181; G02B 27/0185;
G02B 27/0189
See application file for complete search history.

- D757,003 S * 5/2016 Goossens D14/372
- D768,628 S * 10/2016 Choi D14/372
- D776,111 S * 1/2017 Baldassi D14/372
- D778,908 S * 2/2017 Mase D14/372
- D791,124 S * 7/2017 Seki D14/372
- D792,398 S * 7/2017 Costa D14/372

* cited by examiner

Primary Examiner — Austin Murphy
(74) *Attorney, Agent, or Firm* — Schwegman Lundberg & Woessner, P.A.

(57) **CLAIM**

The ornamental design for an accessory module for headset, as shown and described.

DESCRIPTION

FIG. 1 is a front view of an accessory module for headset, showing our new design.
 FIG. 2 is a rear view of the thereof;
 FIG. 3 is a right side view thereof;
 FIG. 4 is a left side view thereof;
 FIG. 5 is a top view thereof;
 FIG. 6 is a bottom view thereof;
 FIG. 7 is a top-rear-right perspective view thereof;
 FIG. 8 is a bottom-rear-left perspective view thereof;
 FIG. 9 is a top-front-left perspective view thereof;
 FIG. 10 is a bottom-front-right perspective view thereof;
 FIG. 11 bottom-rear-left perspective thereof; showing the module, in a condition of use, with the headset inserted into the accessory module; and,
 FIG. 12 top-front-right perspective view thereof; showing the module in a condition of use, with headset inserted into the accessory module.

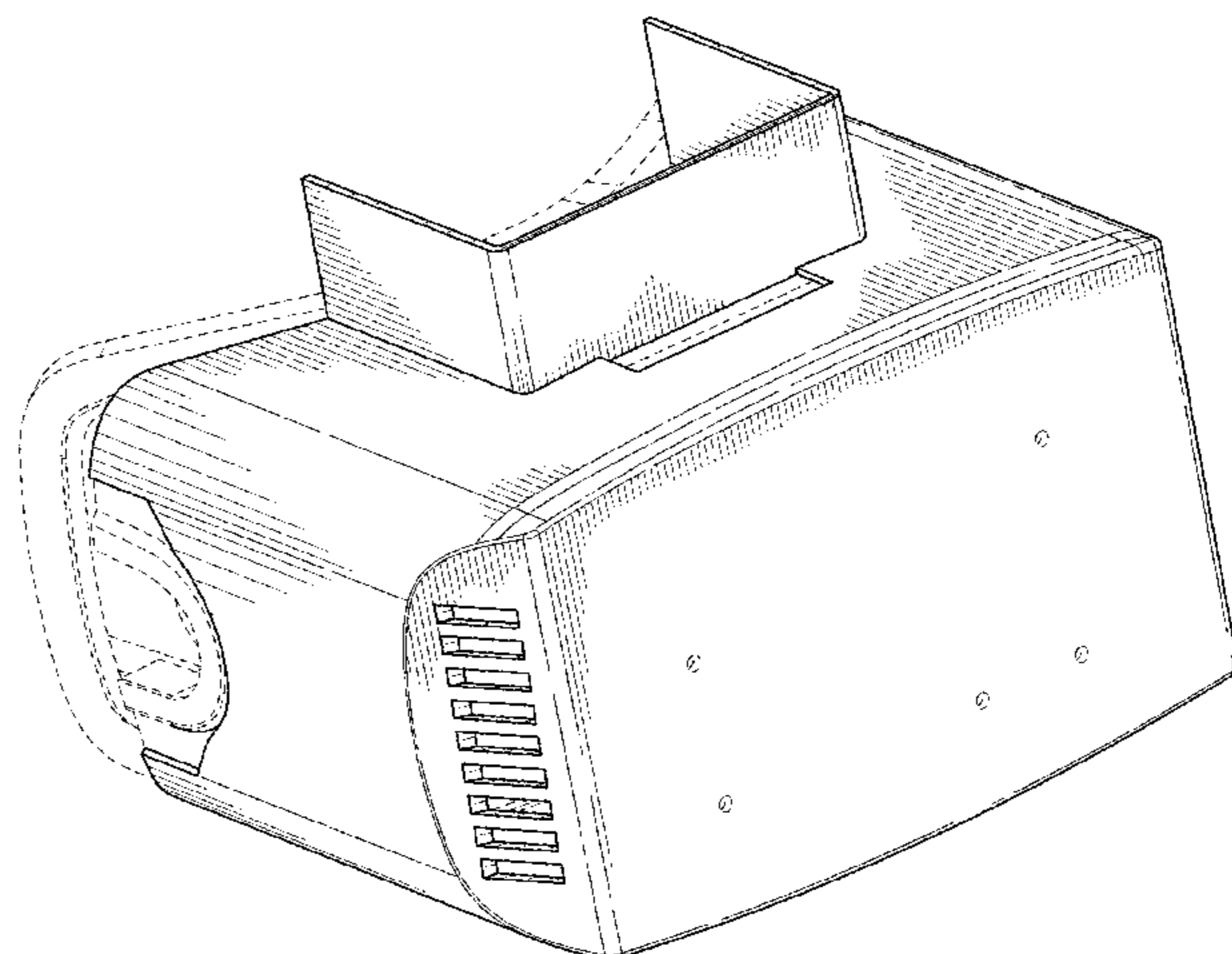
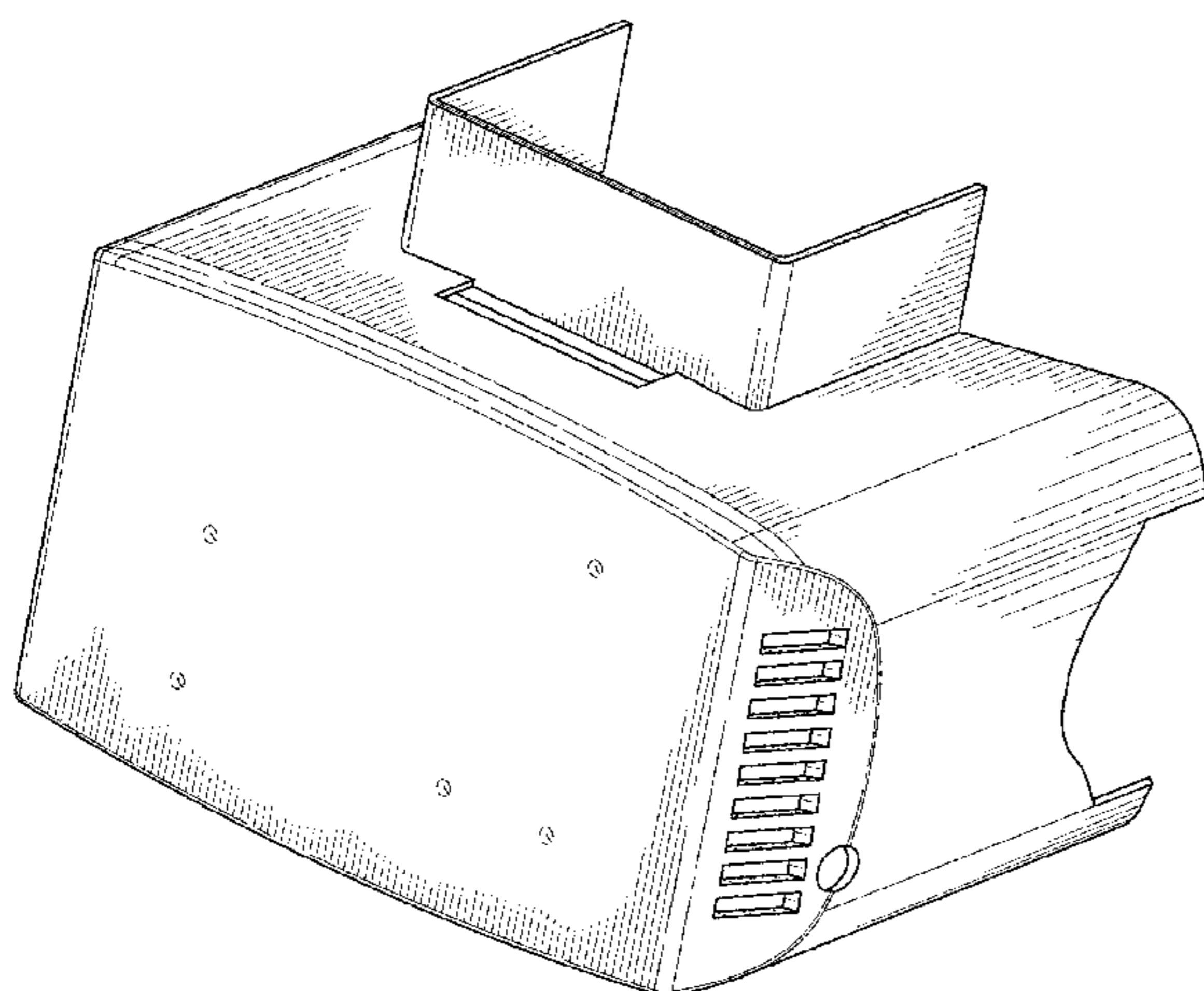
The shade lines show surface contour and not surface ornamentation.

The broken line showing of internal components of the accessory module illustrates environmental structure, and the broken lines form no part of the claimed design.

1 Claim, 9 Drawing Sheets

(56) **References Cited**
U.S. PATENT DOCUMENTS

- D537,078 S * 2/2007 Tanaka D14/372
- D659,137 S * 5/2012 Matsumoto D14/372
- D682,267 S * 5/2013 Mase D14/372
- D682,268 S * 5/2013 Ricks D14/372
- D719,571 S * 12/2014 Sugihara D14/372
- D740,817 S * 10/2015 Ignomirello D14/372
- D750,074 S * 2/2016 Coz D14/372



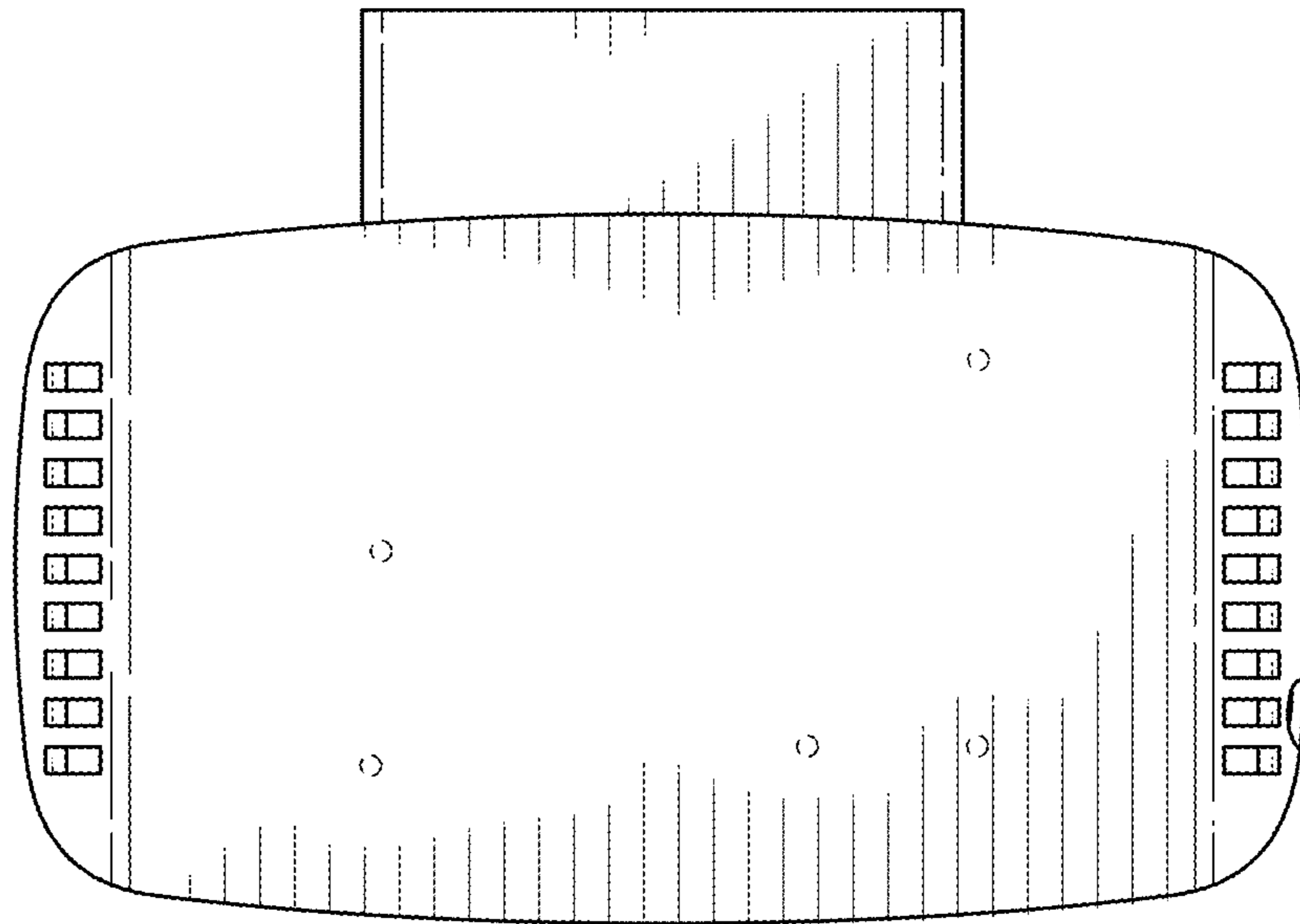


FIG. 1

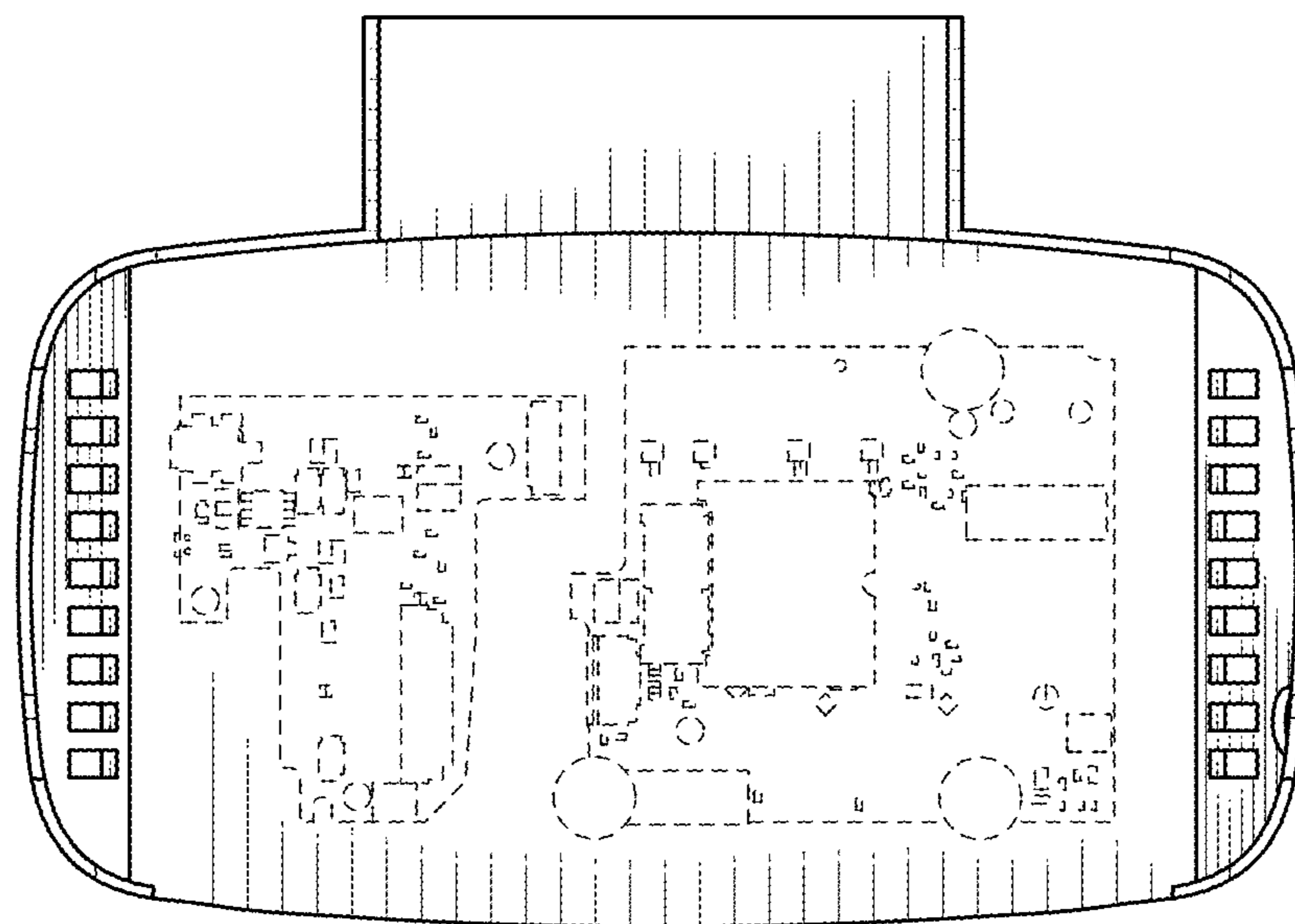


FIG. 2

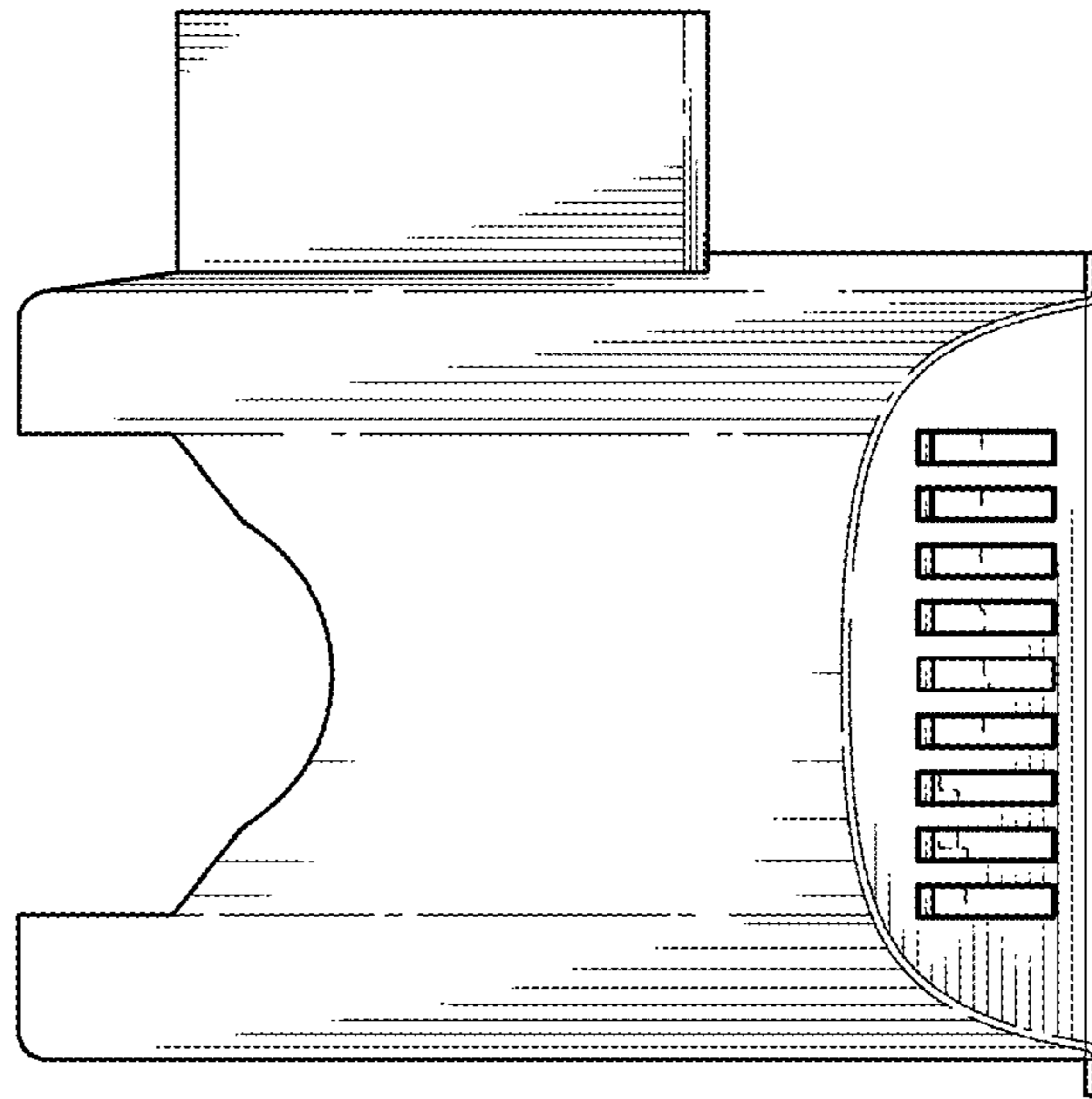


FIG. 3

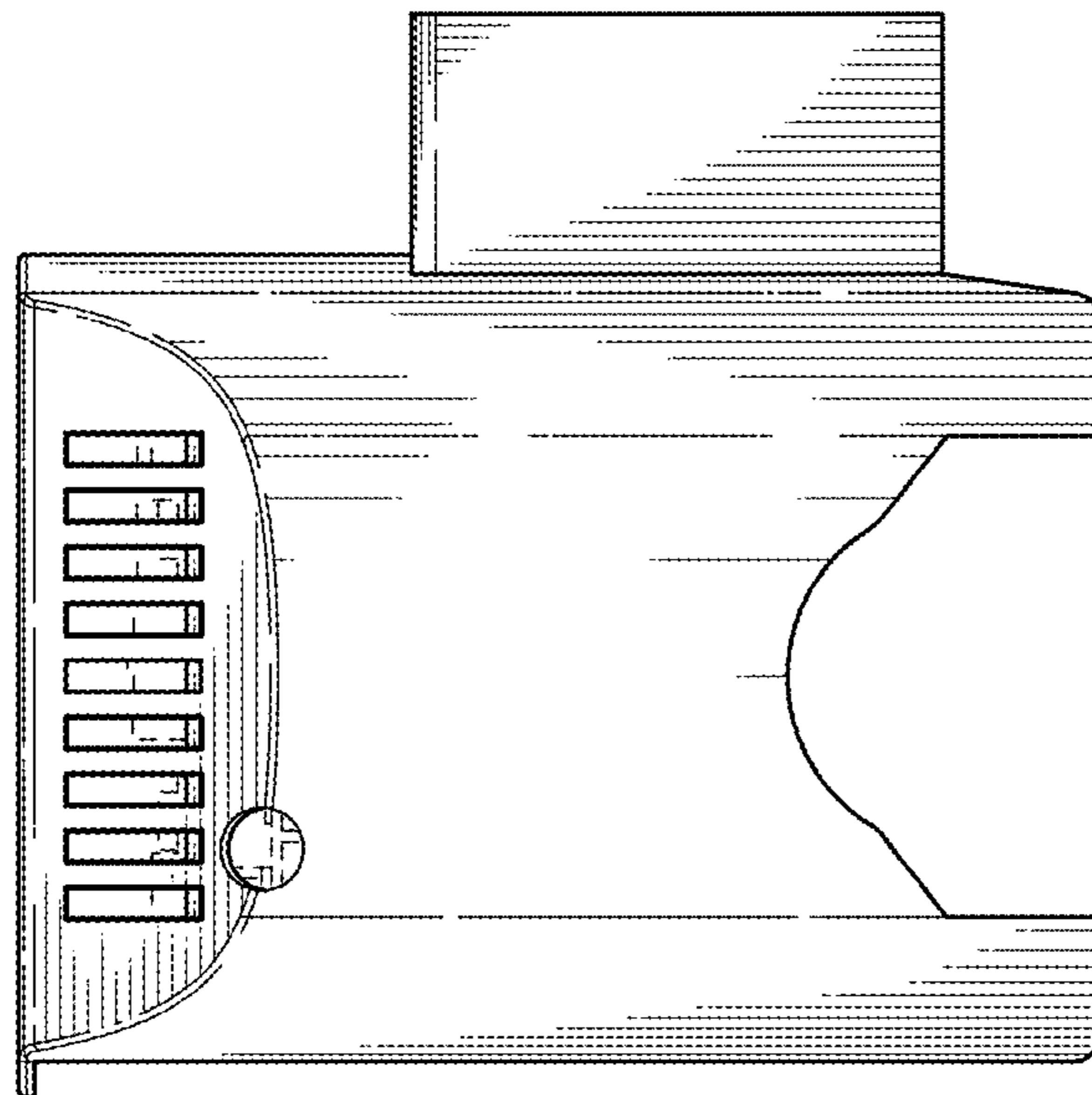


FIG. 4

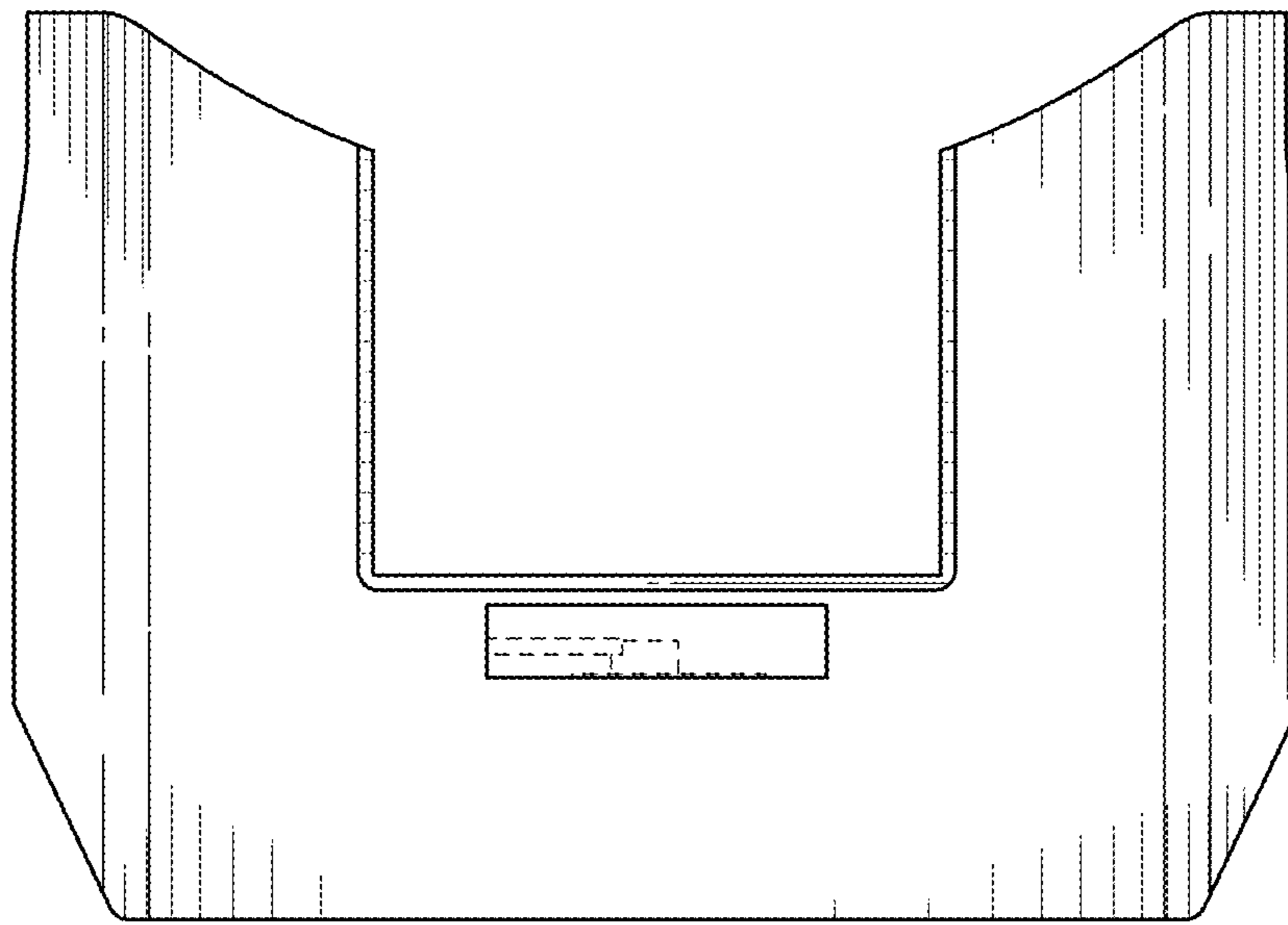


FIG. 5

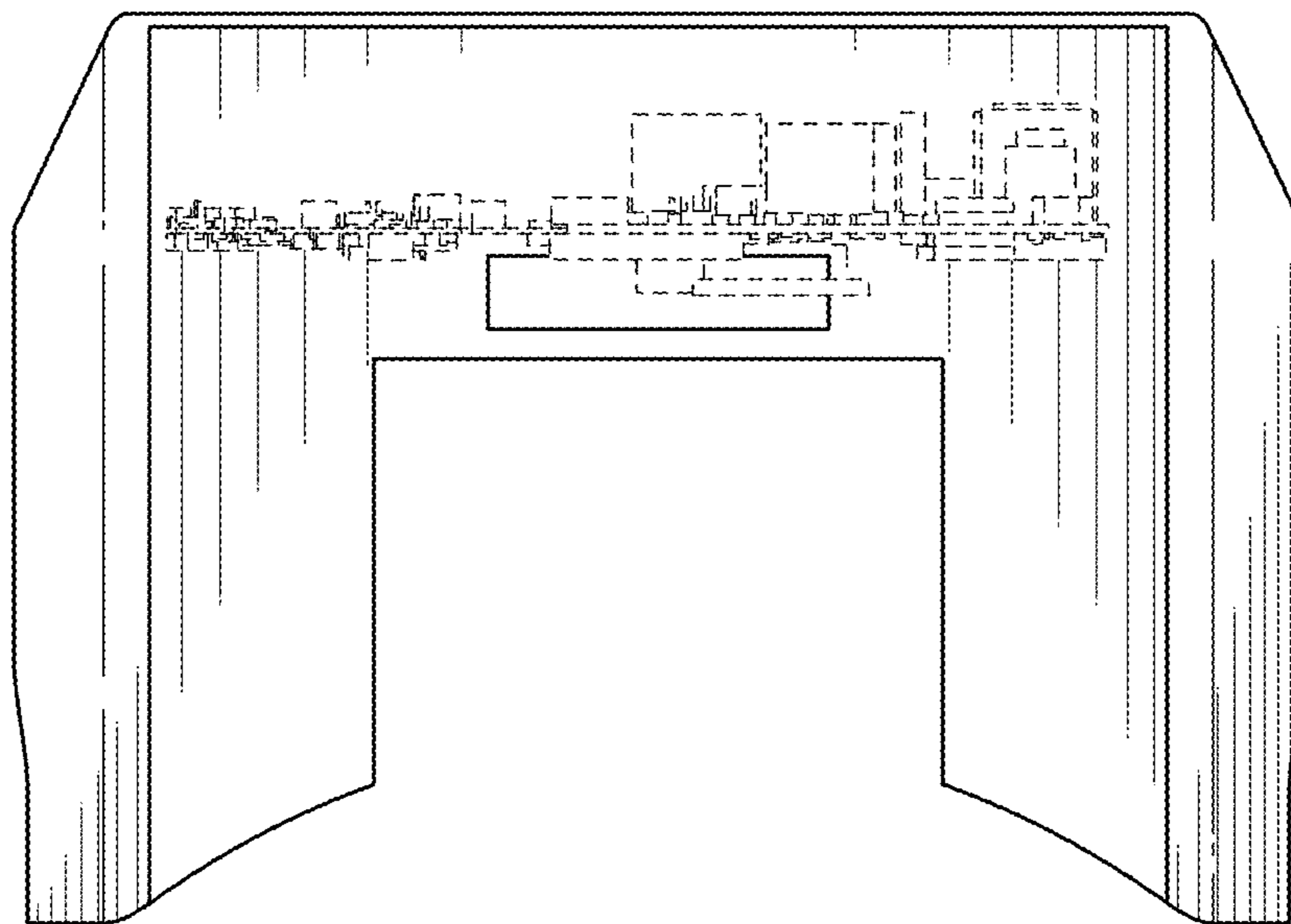


FIG. 6

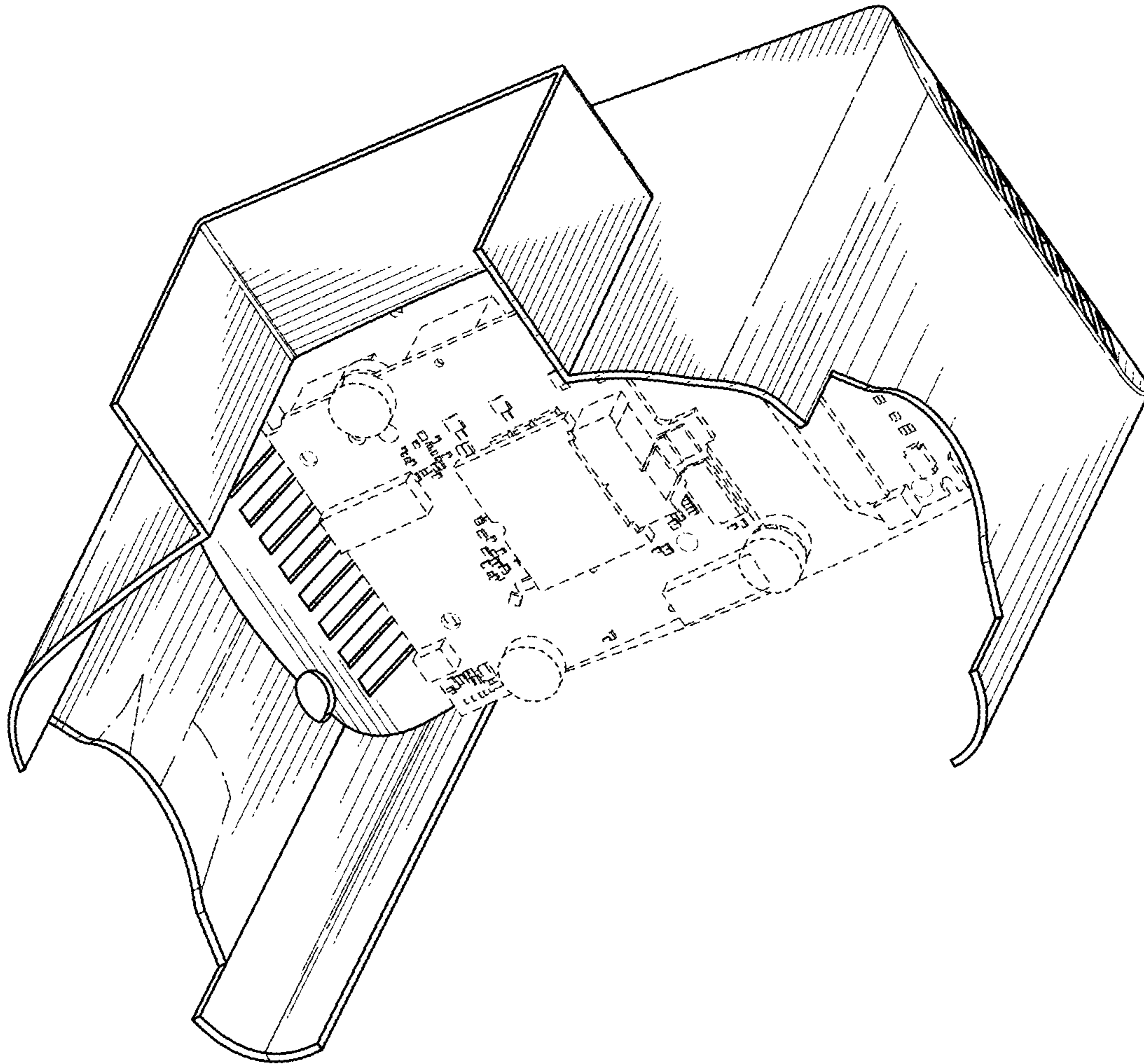


FIG. 7

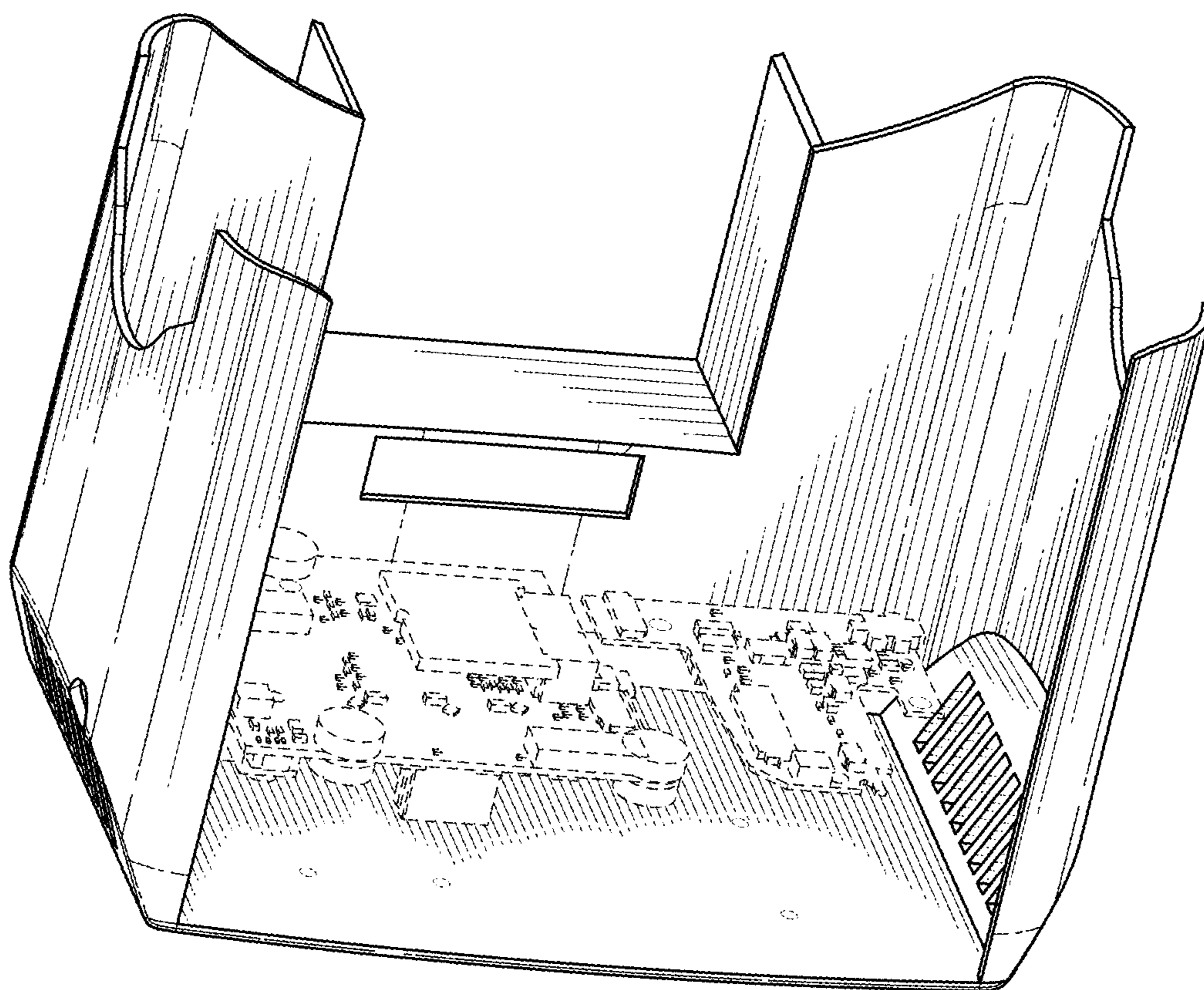


FIG. 8

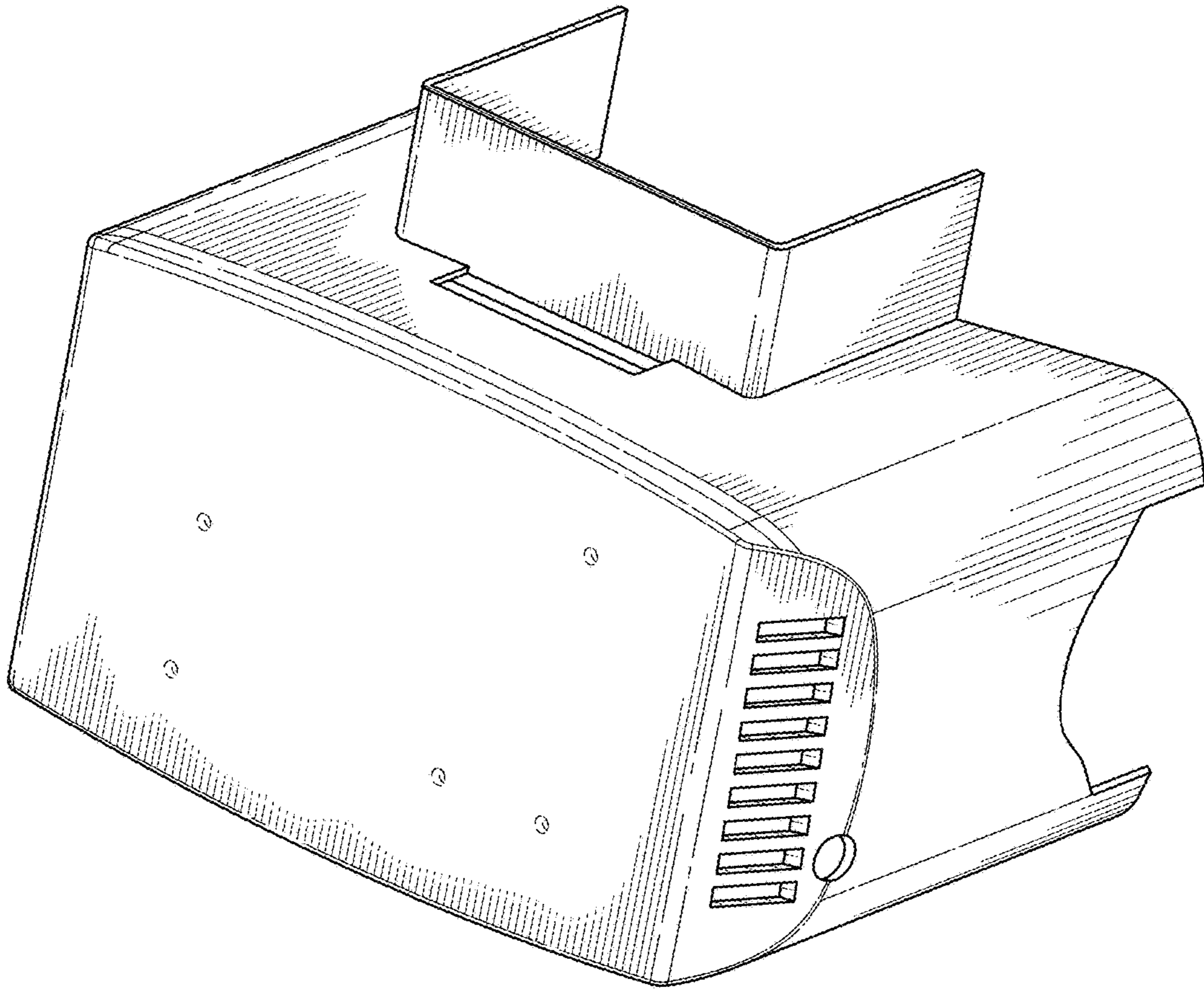


FIG. 9

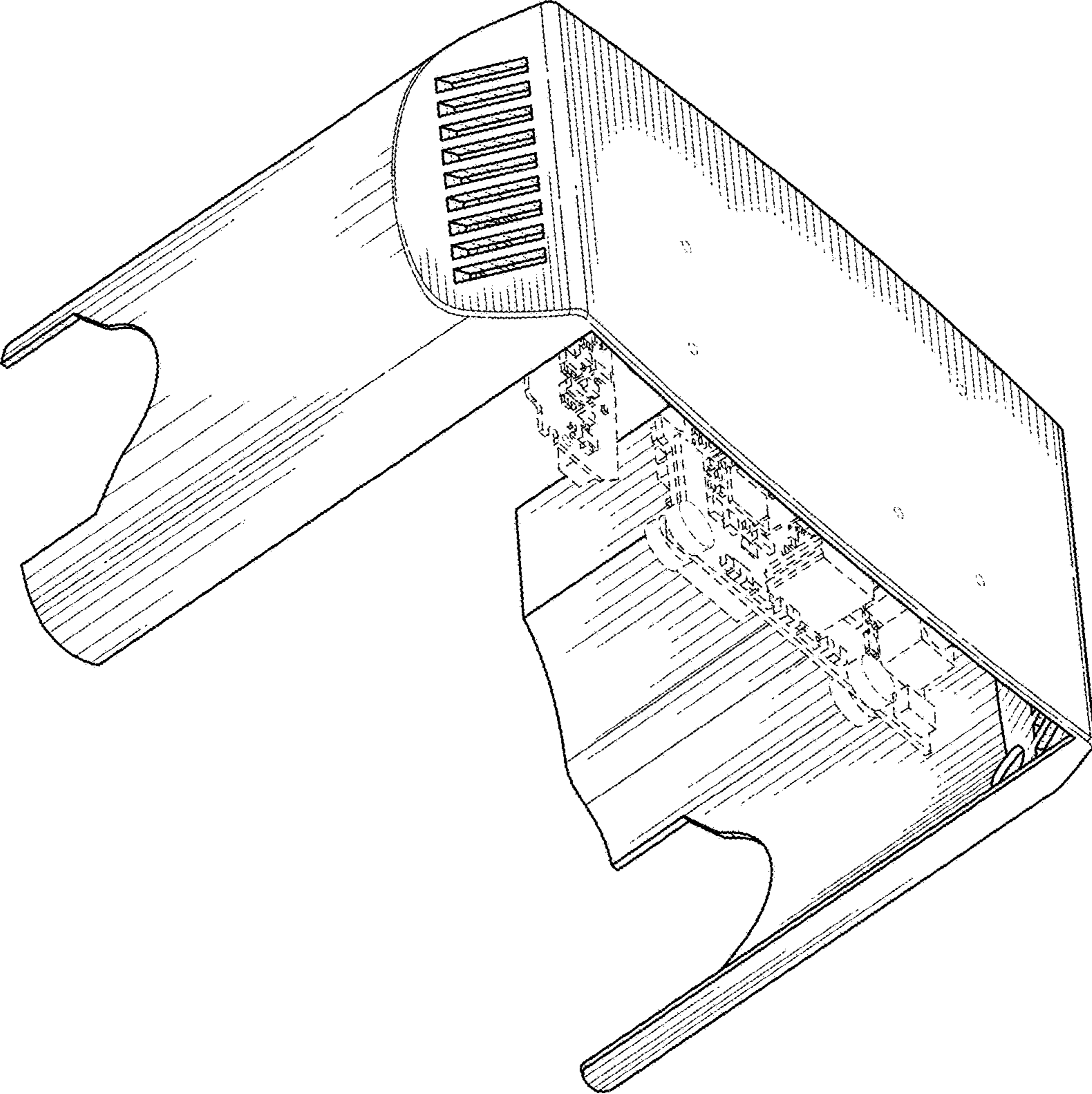


FIG. 10

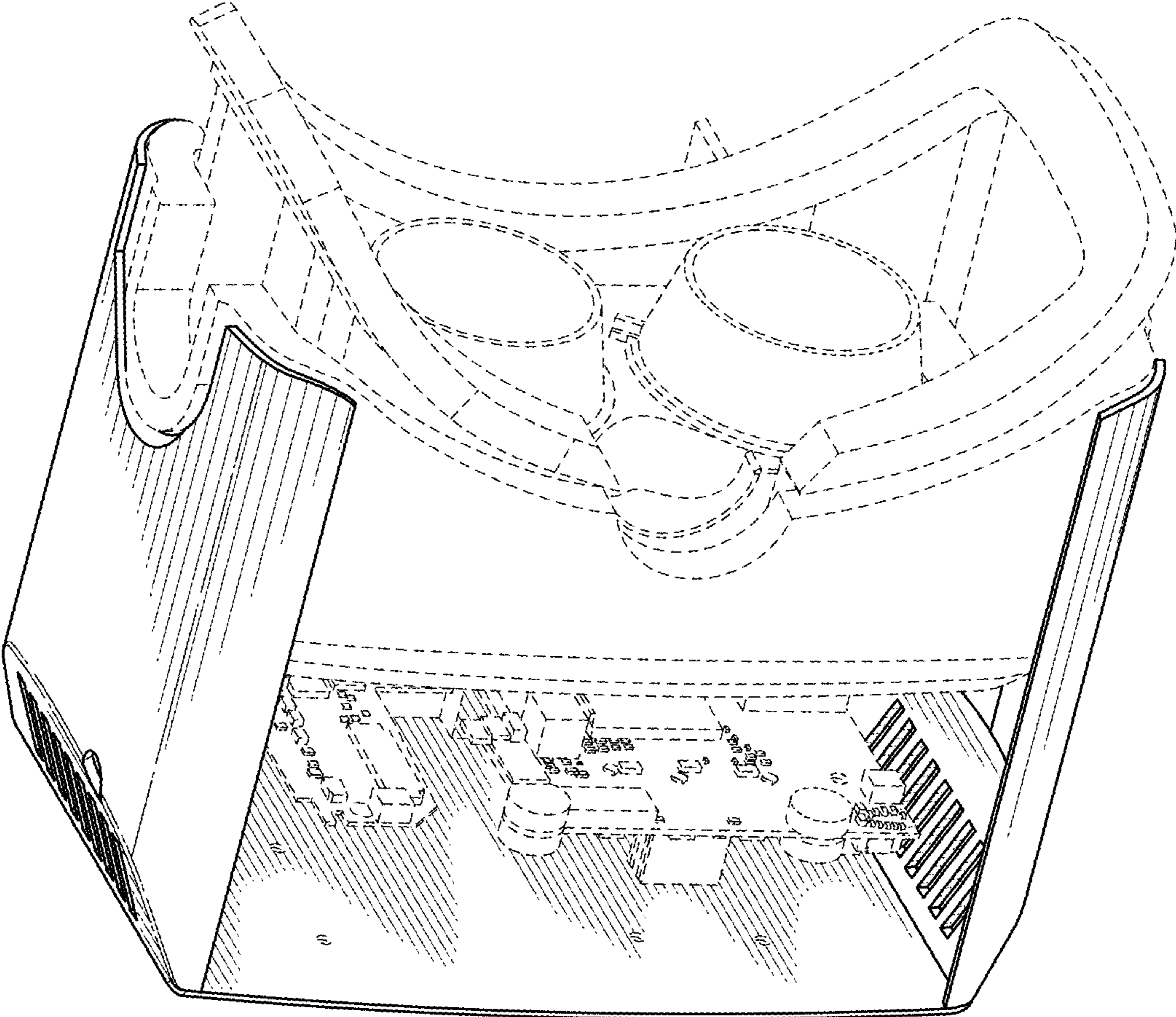


FIG. 11

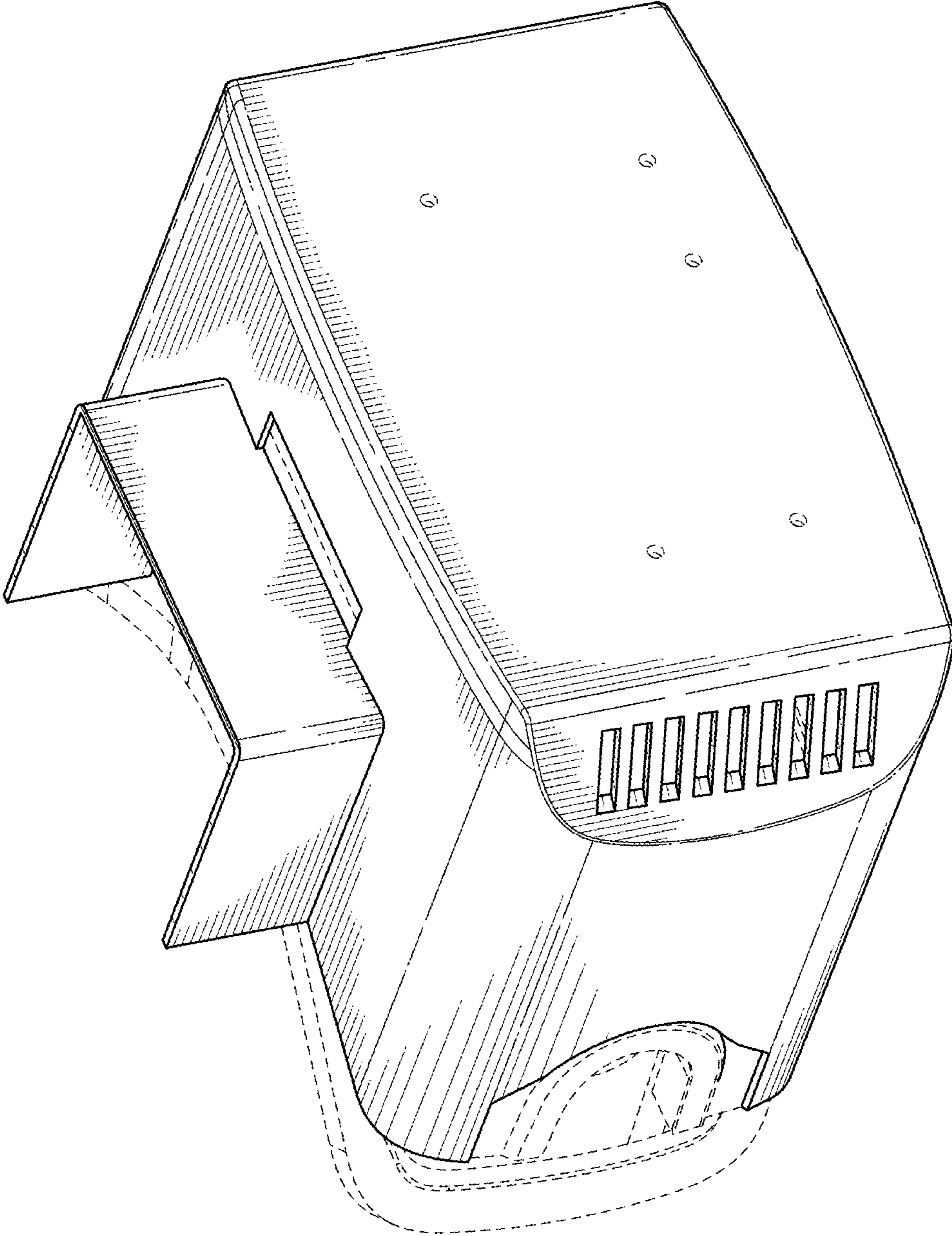


FIG. 12