



US00D806072S

(12) **United States Design Patent** (10) **Patent No.:** **US D806,072 S**  
**Gummalla et al.** (45) **Date of Patent:** **\*\* Dec. 26, 2017**

(54) **ELECTRONIC DEVICE**  
(71) Applicant: **Google Inc.**, Mountain View, CA (US)  
(72) Inventors: **Ajay Chandra Gummalla**, Sunnyvale, CA (US); **Yau-Shing Lee**, Sunnyvale, CA (US); **Jun Hou**, Shanghai (CN); **Patanjali Peri**, Fremont, CA (US); **Dieter Statezni**, Cupertino, CA (US)

(73) Assignee: **Google LLC**, Mountain View, CA (US)  
(\*\*) Term: **15 Years**

(21) Appl. No.: **29/590,561**  
(22) Filed: **Jan. 11, 2017**  
(51) **LOC (10) Cl.** ..... **14-02**  
(52) **U.S. Cl.**  
USPC ..... **D14/358**; D14/240  
(58) **Field of Classification Search**  
USPC ... 6/356, 357, 358, 361, 362, 365, 367, 370, 6/388, 432, 434, 203.1, 203.6, 204, 205, 6/216, 240, 242, 299, 125, 129, 130, 140, 6/155, 168, 188, 195, 300, 302, 314, 348, 6/351, 496; D13/103, 107, 108, 123, D13/162, 162.1, 163, 168, 184, 199; D10/4.1, 106.6, 116.1, 61, 64, 75  
CPC ... H04W 88/08; H04W 88/085; H04W 88/00; H04W 88/005; H04W 88/02; H04W 88/12; H04W 88/14; H04W 88/16; H04W 88/18; H04W 4/00; H01Q 1/02; H01Q 1/2291; H01Q 1/246; H04B 1/38  
See application file for complete search history.

(56) **References Cited**  
U.S. PATENT DOCUMENTS  
D192,637 S \* 4/1962 Judson ..... D14/243  
D331,927 S \* 12/1992 Birri ..... D14/155  
D368,092 S \* 3/1996 Nottingham ..... D14/188  
D391,943 S \* 3/1998 Han ..... D14/356

D391,944 S \* 3/1998 Han ..... D14/356  
D543,458 S \* 5/2007 Dittmer ..... D9/504  
D558,208 S \* 12/2007 Ikeda ..... D14/434  
D558,209 S \* 12/2007 Ikeda ..... D14/434  
D581,927 S 12/2008 Sumii  
D590,391 S 4/2009 Sumii  
(Continued)

**OTHER PUBLICATIONS**

Eero is the home WiFi solution I've been waiting for. engadget.com [online] 17 pgs. Posted Feb. 23, 2016 [retrieved on May 3, 2017] <https://www.engadget.com/2016/02/23/eero-is-the-home-wifi-solution-ive-been-waiting-for/>.\*

(Continued)

*Primary Examiner* — Susan Bennett Hattan  
*Assistant Examiner* — Marie D. Fast Horse  
(74) *Attorney, Agent, or Firm* — Finnegan, Henderson, Farabow, Garrett & Dunner LLP

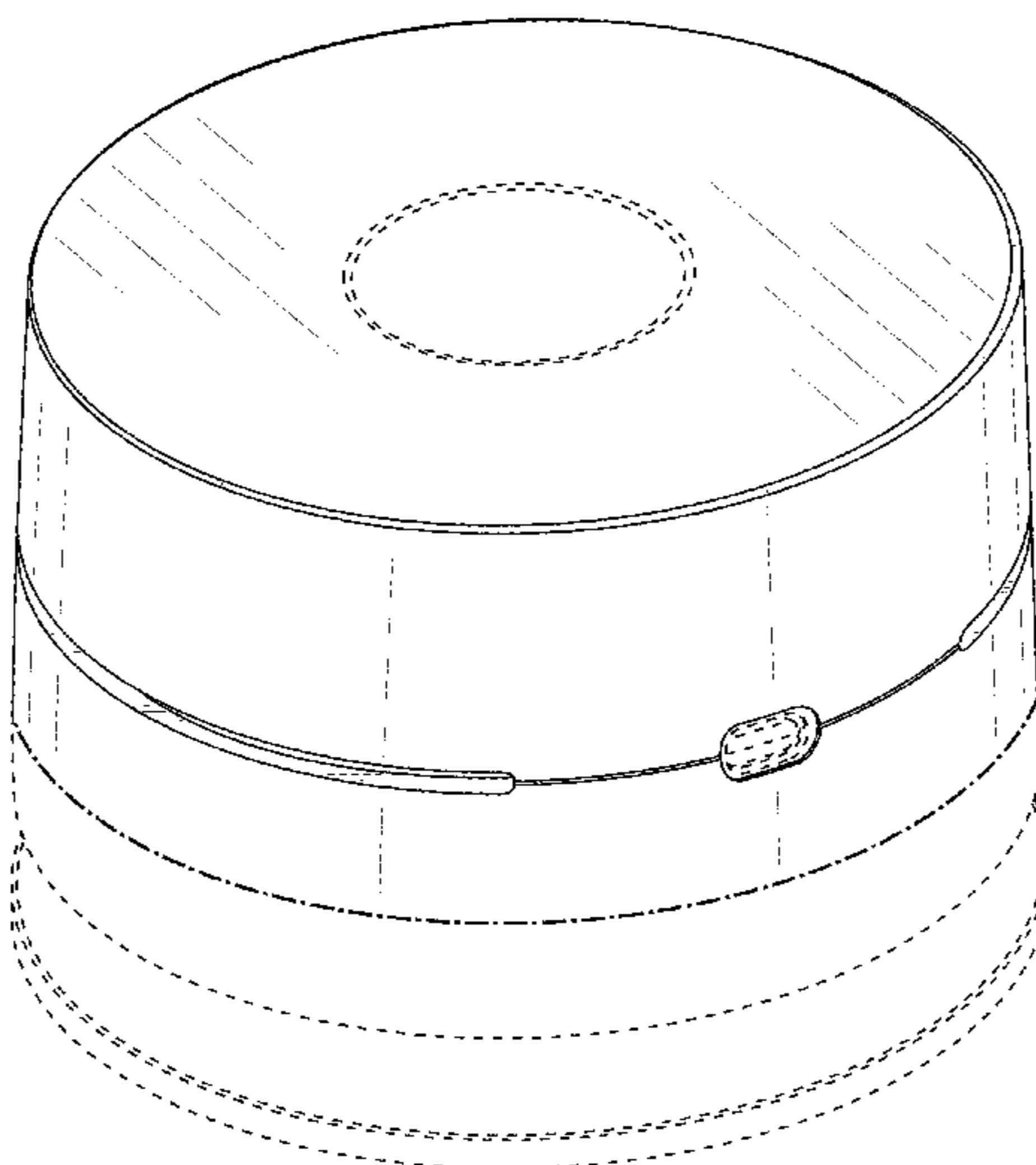
(57) **CLAIM**

The ornamental design for an electronic device, as shown and described.

**DESCRIPTION**

FIG. 1 is a top, rear, right side perspective view of an electronic device, showing our new design; FIG. 2 is a bottom, rear, left side perspective view thereof; FIG. 3 is a left side view thereof; FIG. 4 is a right side view thereof; FIG. 5 is a front elevation view thereof; FIG. 6 is a rear elevation view thereof; FIG. 7 is a top plan view thereof; and, FIG. 8 is a bottom plan view thereof. The portions of the electronic device depicted in broken lines of uneven length define the unclaimed boundary of the claimed design. The portions in broken lines of even length depict portions of the electronic device that form no part of the claimed design.

**1 Claim, 8 Drawing Sheets**



(56)

References Cited

U.S. PATENT DOCUMENTS

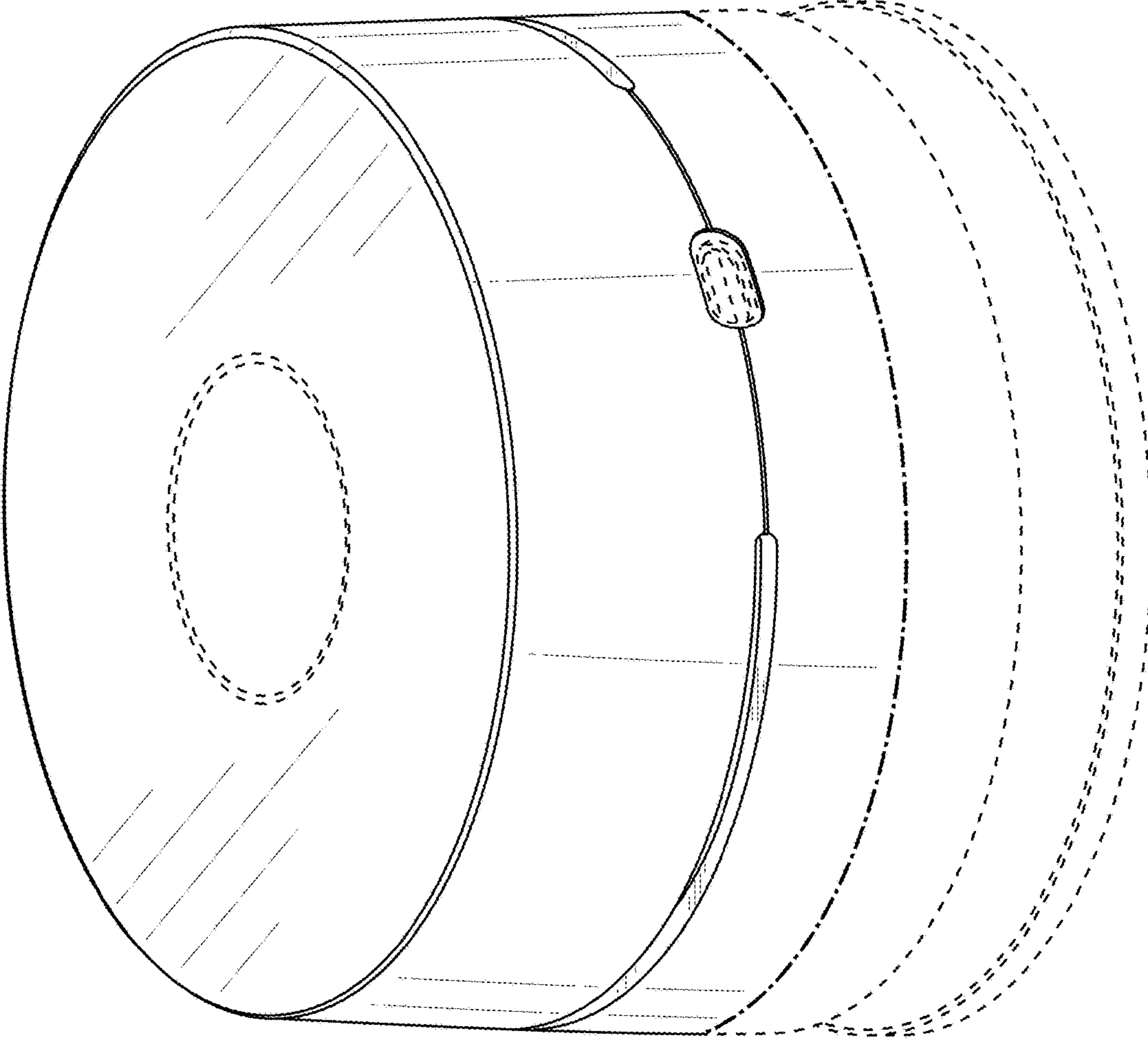
D591,269 S 4/2009 Kim et al.  
 D593,882 S \* 6/2009 Scalisi ..... D10/65  
 D598,018 S 8/2009 Sumii  
 D598,020 S 8/2009 Lu et al.  
 D600,694 S 9/2009 Sumii  
 D619,912 S \* 7/2010 Scalisi ..... D10/65  
 D620,884 S \* 8/2010 Lee ..... D13/108  
 D625,295 S \* 10/2010 Nogueira ..... D14/218  
 D626,523 S \* 11/2010 Mallory ..... D13/180  
 D656,486 S \* 3/2012 Parraga Gimeno ..... D14/216  
 D658,640 S 5/2012 Ivaskevicius  
 D661,213 S \* 6/2012 Hojmose ..... D10/106.2  
 D683,251 S \* 5/2013 Dumas ..... D10/104.2  
 D691,587 S \* 10/2013 Ferber ..... D14/216  
 D694,182 S 11/2013 Lee et al.  
 D694,740 S \* 12/2013 Apostolakis ..... D14/240  
 D695,258 S \* 12/2013 Hauser ..... D14/155  
 D695,713 S \* 12/2013 Szymanski ..... D14/216  
 D697,027 S \* 1/2014 Ho ..... D13/108  
 D702,146 S 4/2014 Giovanni  
 D703,237 S \* 4/2014 Choi ..... D14/502  
 D711,345 S 8/2014 Liu  
 D713,405 S 9/2014 Akana et al.  
 D714,248 S \* 9/2014 Chang ..... D14/140  
 D719,146 S \* 12/2014 Herbst ..... D14/253  
 D719,715 S 12/2014 Kesselman  
 D726,161 S 4/2015 Howard et al.  
 D729,773 S 5/2015 Salojärvi et al.  
 D733,107 S \* 6/2015 Porter ..... D14/240  
 D736,312 S 8/2015 Elbaum et al.  
 D738,870 S 9/2015 Ding et al.  
 D740,262 S \* 10/2015 Hasegawa ..... D14/240  
 D743,954 S 11/2015 Chuang et al.  
 D746,166 S 12/2015 Li  
 D747,229 S 1/2016 Perez  
 D751,052 S \* 3/2016 Jones ..... D14/203.6  
 D751,538 S \* 3/2016 Koehler ..... D14/240  
 D752,566 S \* 3/2016 Hinman ..... D14/242  
 D756,956 S 5/2016 Van Den Nieuwenhuizen et al.

D756,957 S \* 5/2016 Nylen ..... D14/204  
 D757,014 S 5/2016 Hahn et al.  
 D757,587 S 5/2016 Li  
 D760,221 S \* 6/2016 Maruyama ..... D14/357  
 D763,210 S \* 8/2016 Park ..... D14/125  
 D766,844 S 9/2016 Turksu et al.  
 D769,836 S \* 10/2016 Axelsson ..... D14/125  
 D772,813 S \* 11/2016 Wahl ..... D13/108  
 D774,009 S \* 12/2016 Hammarstedt ..... D14/125  
 D774,455 S \* 12/2016 Kim ..... D13/108  
 D781,798 S \* 3/2017 Klepper ..... D14/125  
 D785,608 S \* 5/2017 Weaver ..... D14/240  
 2014/0233613 A1 \* 8/2014 Fink ..... H04W 24/02  
 375/219  
 2015/0296050 A1 \* 10/2015 Bomkamp ..... H04L 67/12  
 709/217  
 2016/0223638 A1 \* 8/2016 Kravets ..... G01S 5/04  
 2016/0329641 A1 \* 11/2016 Lee ..... H01Q 15/14  
 2016/0330107 A1 \* 11/2016 Thubert ..... H04L 45/22  
 2017/0118677 A1 \* 4/2017 Axelsson ..... H04W 28/08

OTHER PUBLICATIONS

Huddle—The New Wi-Fi. youtube.com. [online video] 1 pg. Uploaded Aug. 1, 2016 [retrieved on May 3, 2017] <https://www.youtube.com/watch?v=Q8DacvXppv4>.  
 Google WiFi AC1200 Dual-Band Whole Home Wi-Fi System. staples.com. [online] 4 pgs. Verified Purchase: Jan. 5, 2017 [retrieved on May 2, 2017] [http://www.staples.com/Google-Wifi-System-single-Wifi-point/product\\_2502708?cid=PS:GooglePLAs:2502708&ci\\_src=17588969&ci\\_sku=. . . Continued on X](http://www.staples.com/Google-Wifi-System-single-Wifi-point/product_2502708?cid=PS:GooglePLAs:2502708&ci_src=17588969&ci_sku=. . . Continued on X).  
 Google WiFi AC1200 Dual-Band Whole Home WiFi System. Continued from W . . . 2502708&cvosrc=PLA.google-SALES.Networking%20%26%20WiFi&cvo\_crid=393357182022&cvo\_campaign=173960142&gclid=CLCd76XoodMCFdKCswod-doMFw##productinfo.\*  
 Copending Design U.S. Appl. No. 29/590,558, for “Electronic Device”, filed Jan. 11, 2017 (12 pages).

\* cited by examiner



**FIG. 1**



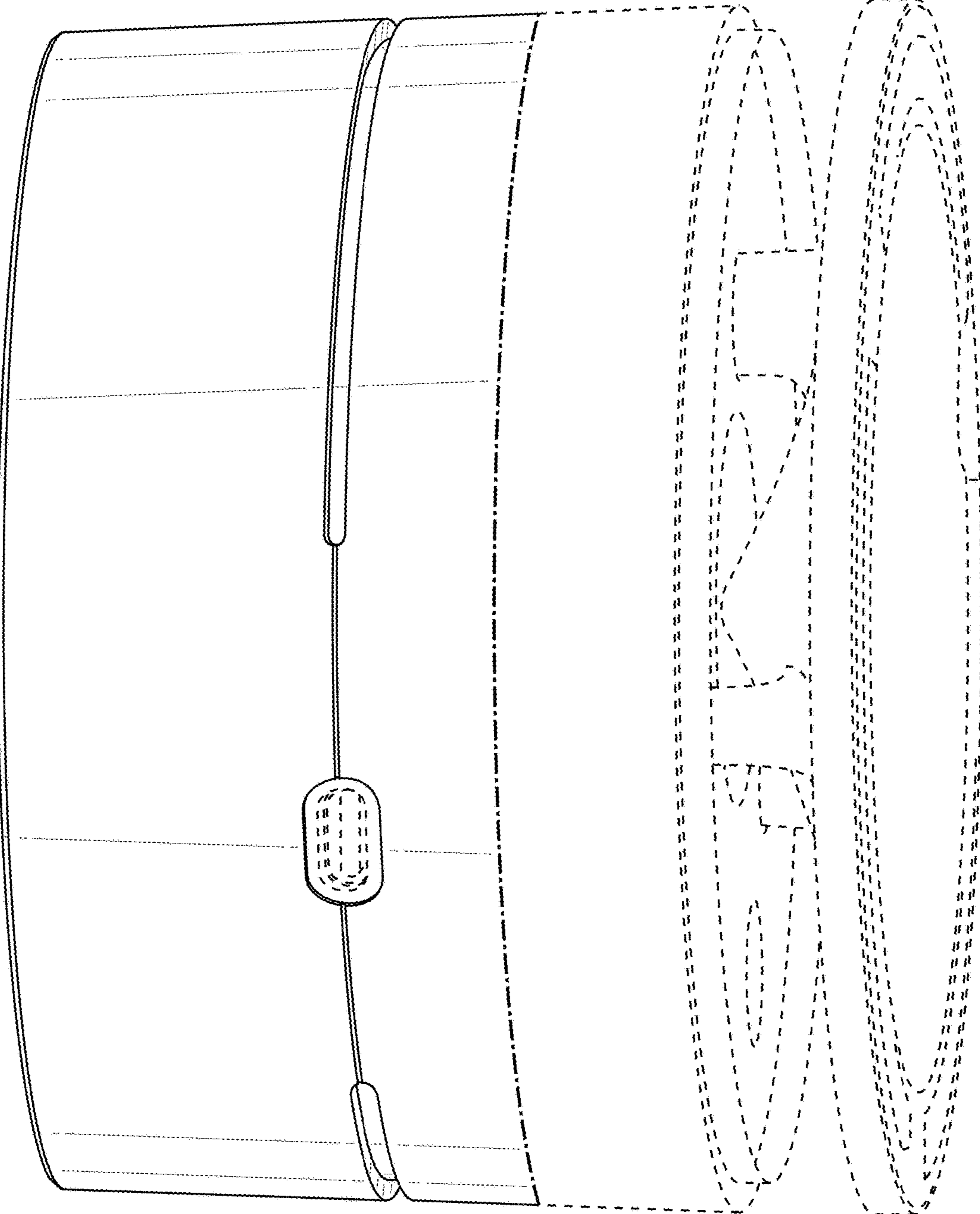
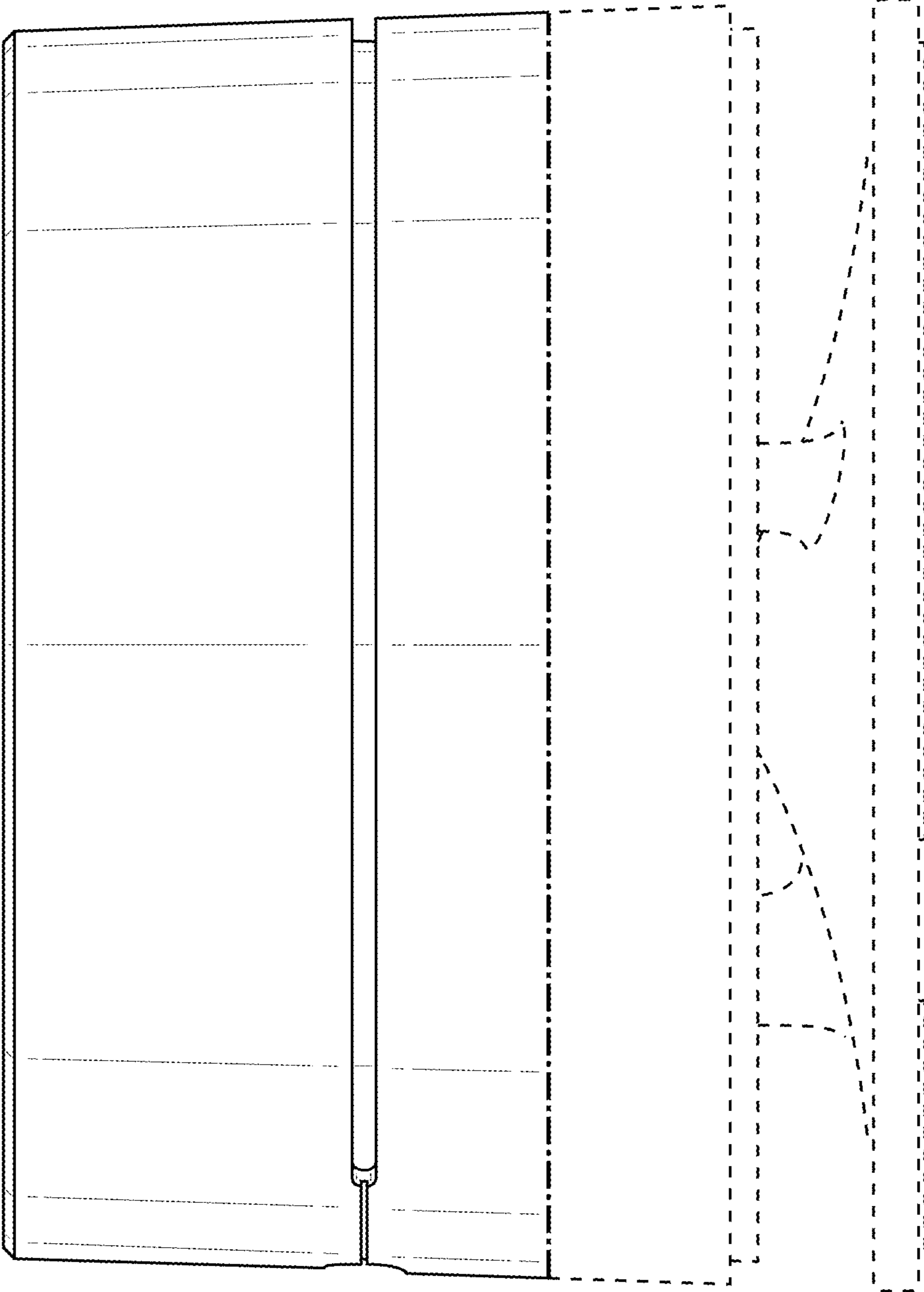
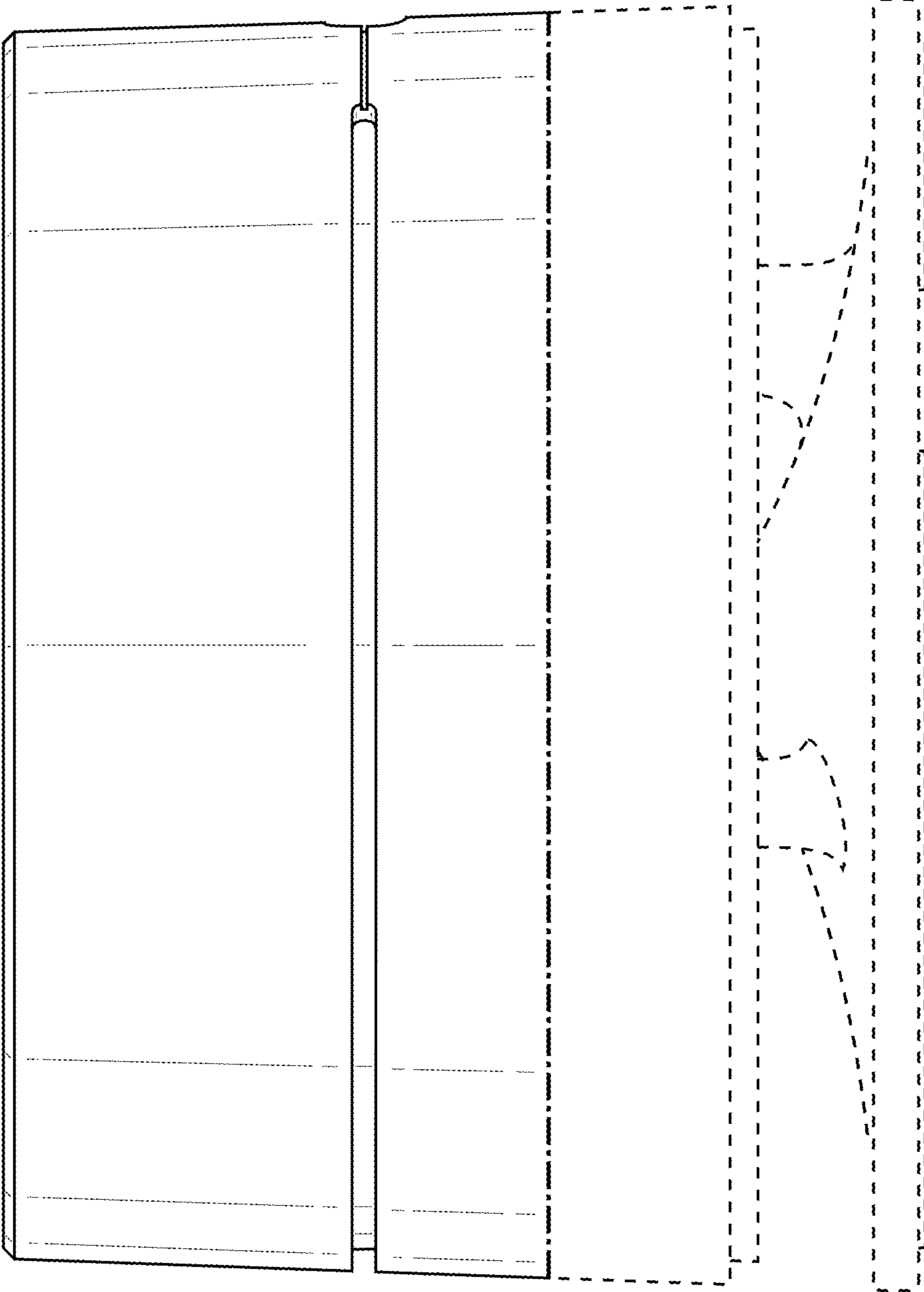


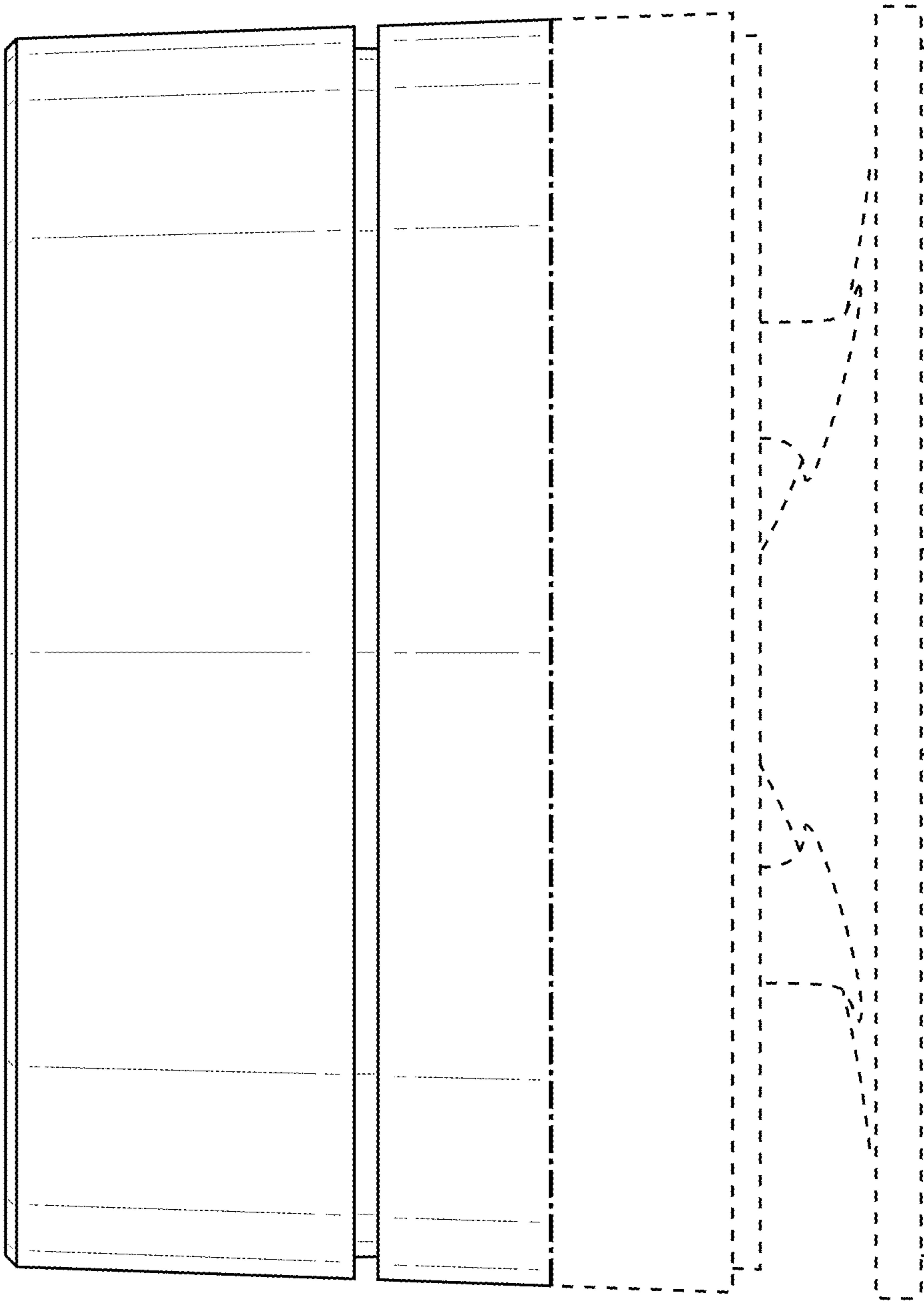
FIG. 2



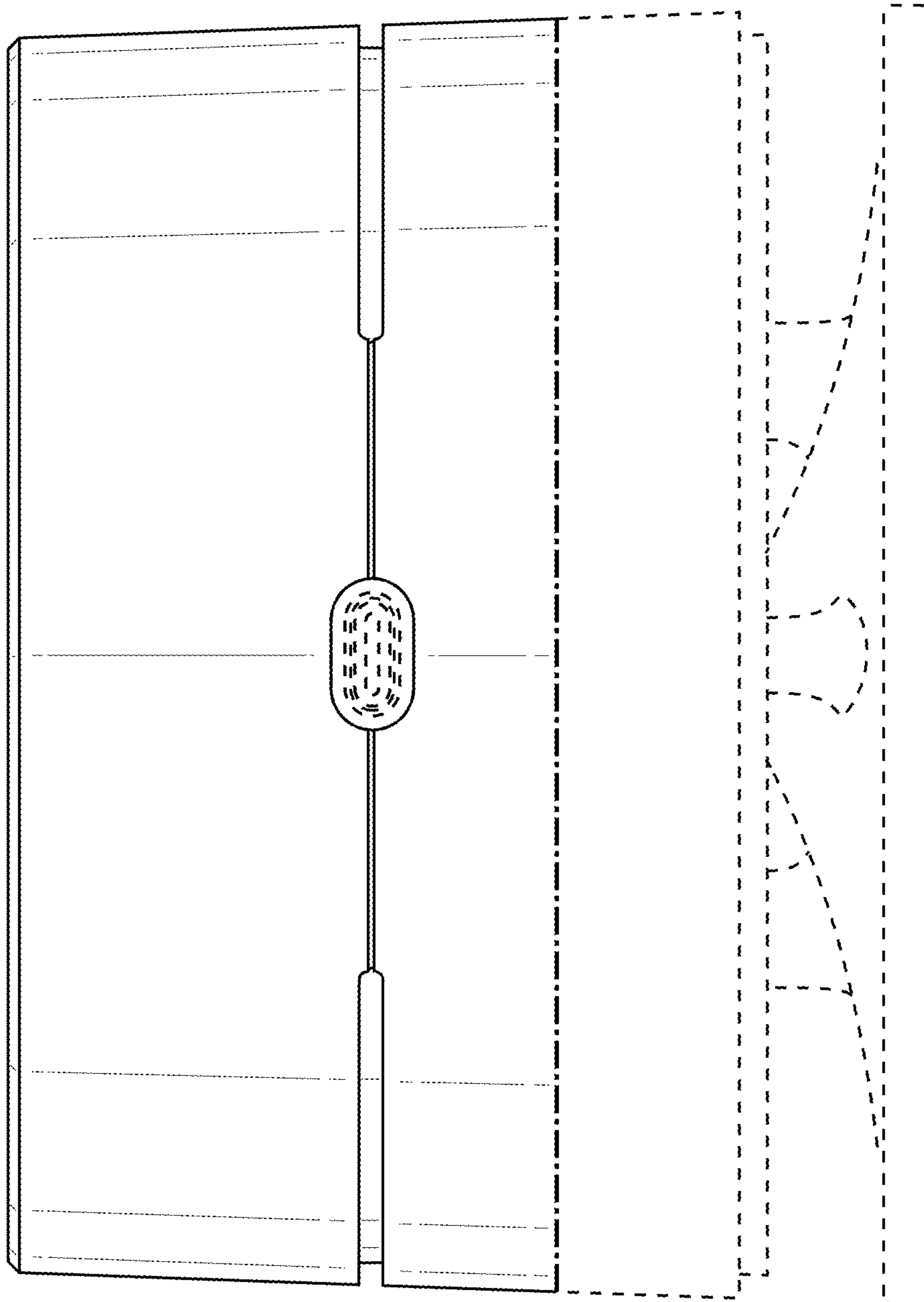
**FIG. 3**



**FIG. 4**

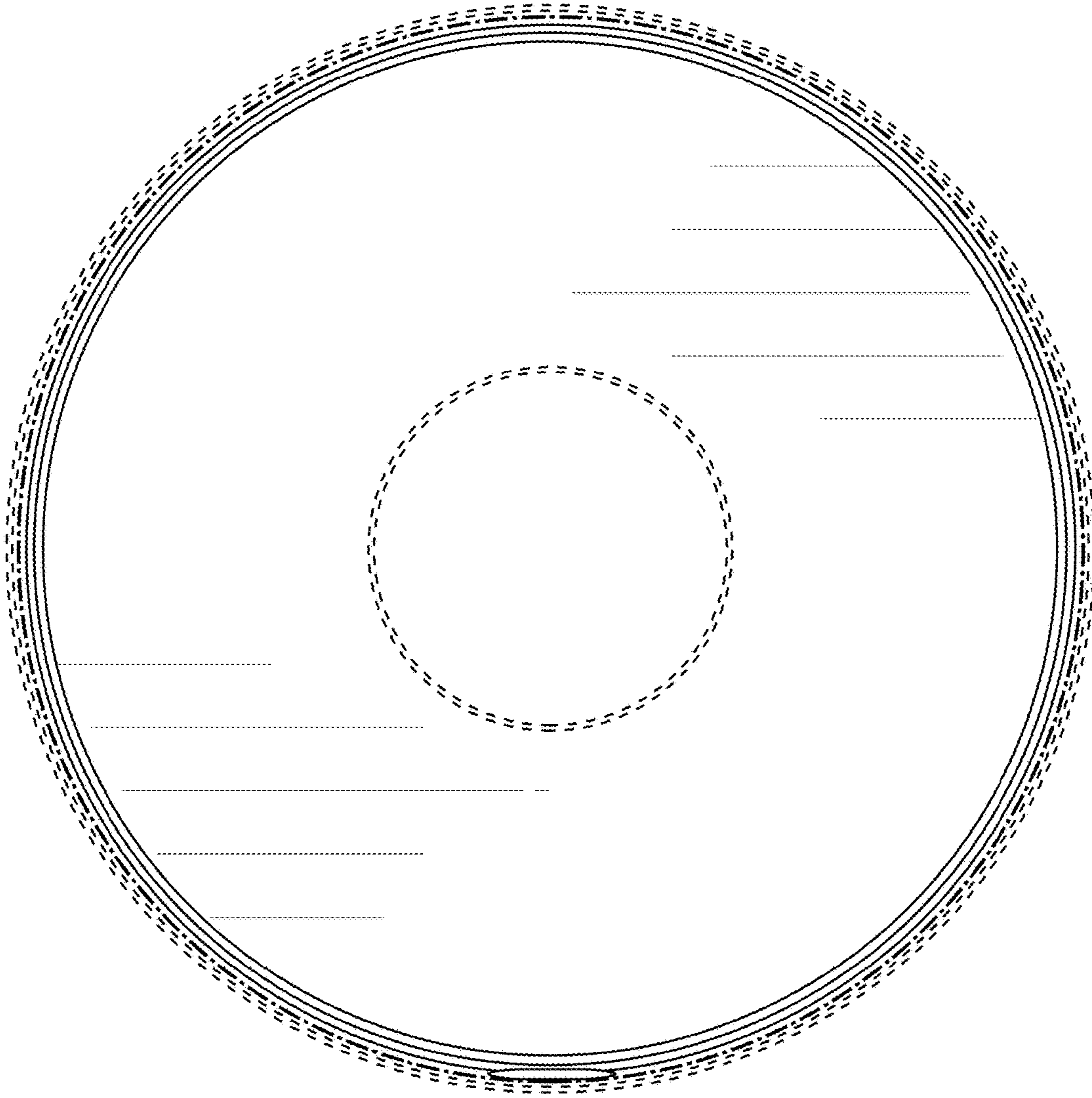


**FIG. 5**

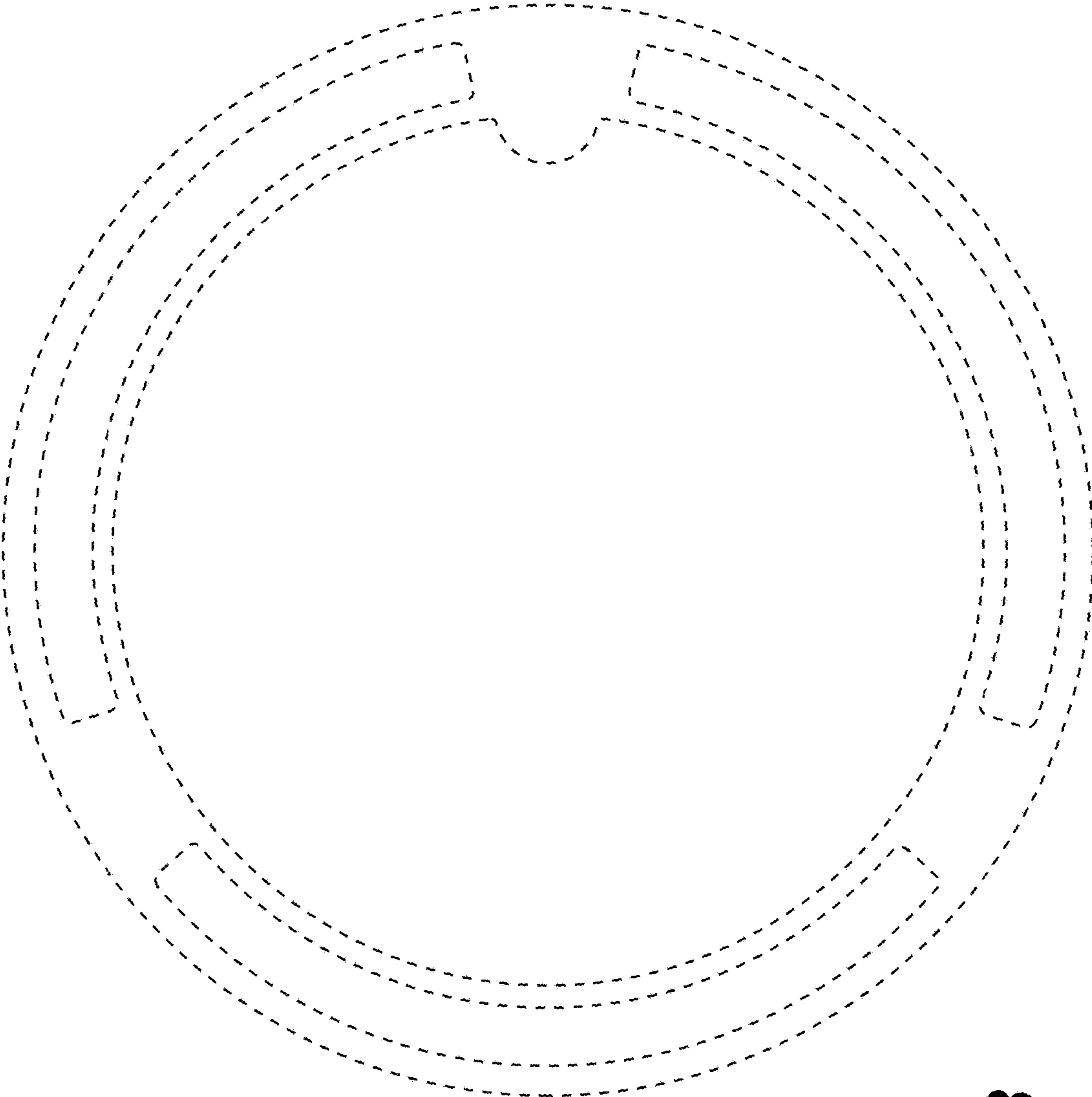


**FIG. 6**





**FIG. 7**



**FIG. 8**