



US00D806071S

(12) **United States Design Patent** (10) **Patent No.:** **US D806,071 S**
Akana et al. (45) **Date of Patent:** **** Dec. 26, 2017**

(54) **WEARABLE DEVICE**

(71) Applicant: **Apple Inc.**, Cupertino, CA (US)

(72) Inventors: **Jody Akana**, San Francisco, CA (US); **Molly Anderson**, San Francisco, CA (US); **Bartley K. Andre**, Palo Alto, CA (US); **Shota Aoyagi**, San Francisco, CA (US); **Anthony Michael Ashcroft**, San Francisco, CA (US); **Jeremy Bataillou**, San Francisco, CA (US); **Daniel J. Coster**, San Francisco, CA (US); **Daniele De Iuliis**, San Francisco, CA (US); **M. Evans Hankey**, San Francisco, CA (US); **Julian Hoenig**, San Francisco, CA (US); **Richard P. Howarth**, San Francisco, CA (US); **Jonathan P. Ive**, San Francisco, CA (US); **Duncan Robert Kerr**, San Francisco, CA (US); **Marc A. Newson**, London (GB); **Matthew Dean Rohrbach**, San Francisco, CA (US); **Peter Russell-Clarke**, San Francisco, CA (US); **Benjamin Andrew Shaffer**, San Jose, CA (US); **Mikael Silvanto**, San Francisco, CA (US); **Christopher J. Stringer**, Woodside, CA (US); **Eugene Antony Whang**, San Francisco, CA (US); **Rico Zörkendörfer**, San Francisco, CA (US)

(73) Assignee: **Apple Inc.**, Cupertino, CA (US)

(**) Term: **15 Years**

(21) Appl. No.: **29/597,710**

(22) Filed: **Mar. 20, 2017**

Related U.S. Application Data

(63) Continuation of application No. 29/557,215, filed on Mar. 7, 2016, now Pat. No. Des. 781,853.

(51) **LOC (10) Cl.** **14-02**

(52) **U.S. Cl.**

USPC **D14/344**

(58) **Field of Classification Search**

USPC ... D14/344, 138 R, 144, 341, 358, 485-489; D10/30-39, 70, 98; D11/3, 93-94; D24/167, 169, 186-187; 361/679.03; 379/433.1

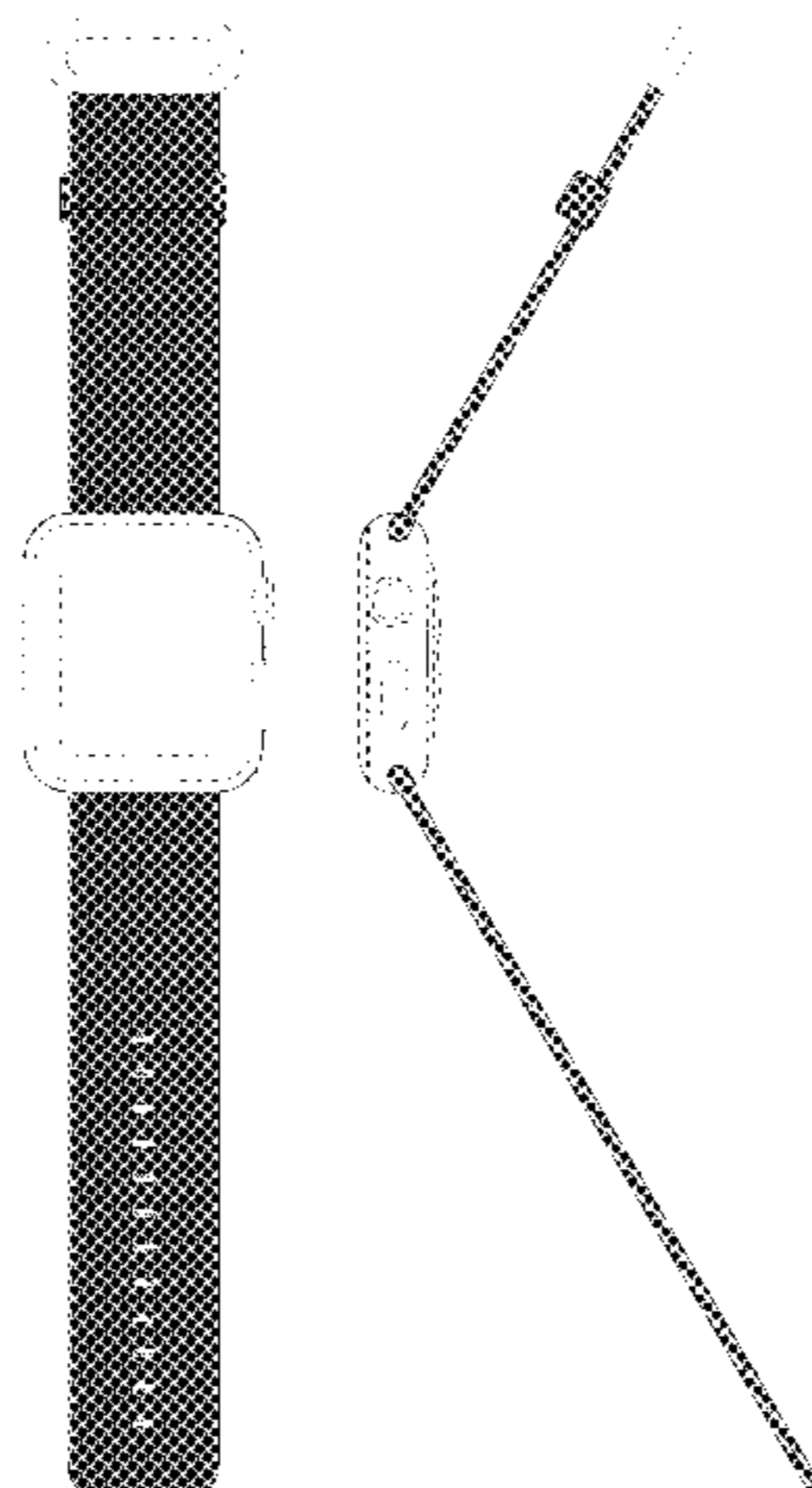
CPC .. A41D 1/002; G06F 1/04; G06F 1/08; G06F 1/10; G06F 1/14; G06F 1/1626; G06F 1/1628; G06F 1/163; G06F 1/1635; G06F 1/3203; G06Q 20/10; G06Q 20/12; G06Q 20/108; G06Q 20/145; H04B 1/3833; H04B 1/385; H04B 1/3888; H04M 1/02; H04M 1/03; H04M 1/04; H04M 1/05; H04M 1/667; H04M 1/6058; Y02B 60/1217

See application file for complete search history.

(56) **References Cited**

U.S. PATENT DOCUMENTS

D80,307 S	1/1930	Conant	
2,280,490 A	4/1942	Keltie	
2,397,797 A	4/1946	Curto	
2,451,750 A *	10/1948	Kreisler	A44C 5/0061 29/896.411
D181,889 S	1/1958	Taylor	
3,030,686 A	4/1962	Burkhardt	
3,394,438 A *	7/1968	Nelson	A44B 11/24 24/178
3,640,065 A	2/1972	Lederrey et al.	
3,665,565 A	5/1972	Kruger	
3,675,284 A	7/1972	Rieth	
D240,605 S *	7/1976	Sticker	D10/38
D252,856 S *	9/1979	Perrin	D10/39
D270,430 S	9/1983	Fukuoka	
D287,471 S	12/1986	Sato et al.	
4,627,231 A	12/1986	Kiuchi	
D320,356 S	10/1991	Boyer et al.	
D344,038 S	2/1994	Phillips et al.	
5,363,351 A	11/1994	Carney	
5,386,933 A	2/1995	Greene et al.	
D372,658 S	8/1996	Decursu et al.	
5,574,701 A	11/1996	Harilela	
D377,914 S	2/1997	Riley	
D379,327 S	5/1997	Navera	
D379,775 S	6/1997	Gazzola	
D383,985 S	9/1997	Davenport	



US D806,071 S

D386,980 S	12/1997	Houlihan		D749,460 S	2/2016	Akana et al.	
5,886,669 A	3/1999	Kita		D750,524 S	3/2016	Akana et al.	
D438,812 S	3/2001	Bert		D751,070 S	3/2016	Akana et al.	
D439,172 S	3/2001	Brzezinski		D752,044 S	3/2016	Akana et al.	
D440,901 S	4/2001	Bruce et al.		D753,008 S	4/2016	Akana et al.	
6,219,303 B1	4/2001	Morohoshi et al.		D756,357 S	5/2016	Akana et al.	
D441,680 S	5/2001	Bruce et al.		D756,824 S	5/2016	Akana et al.	
6,238,083 B1	5/2001	Hirano et al.		D757,722 S	5/2016	Akana et al.	
D461,726 S	8/2002	Jamin		D757,819 S	5/2016	Akana et al.	
D473,818 S	4/2003	Salvisberg		D758,363 S	6/2016	Akana et al.	
6,655,831 B1	12/2003	Ruffieux		D759,011 S	6/2016	Akana et al.	
D494,098 S	8/2004	Cohen		D759,121 S	6/2016	Akana et al.	
D496,589 S	9/2004	Perrenoud		D759,725 S	6/2016	Akana et al.	
6,801,476 B2	10/2004	Gilmour		D760,717 S *	7/2016	Solomon	D14/344
6,970,157 B2	11/2005	Siddeeq		D764,340 S	8/2016	Akana et al.	
D513,195 S	12/2005	Gruosi		D764,341 S	8/2016	Akana et al.	
7,004,469 B2	2/2006	Von Goeben		D766,115 S	9/2016	Ma	
D528,439 S	9/2006	Burton		D766,752 S	9/2016	Akana et al.	
D528,928 S	9/2006	Burton		D768,025 S	10/2016	Akana et al.	
7,106,197 B2	9/2006	Gaiotto et al.		D768,623 S	10/2016	Zou et al.	
7,275,667 B2	10/2007	Bertucci		D768,634 S	10/2016	Akana et al.	
D558,227 S	12/2007	Cho et al.		D769,869 S *	10/2016	Zhou	D10/38
D564,904 S	3/2008	Leung		D771,035 S	11/2016	Akana et al.	
D572,266 S	7/2008	Anderson et al.		D771,036 S	11/2016	Akana et al.	
D574,735 S	8/2008	Landman et al.		9,483,074 B2 *	11/2016	Oh	G06F 1/163
D578,922 S	10/2008	Hoshino		D777,163 S	1/2017	Akana et al.	
D584,170 S	1/2009	Morrison		D778,912 S	2/2017	Akana et al.	
D586,823 S	2/2009	Anderson et al.		D781,853 S *	3/2017	Akana	D14/344
D589,375 S	3/2009	Tang		D789,822 S *	6/2017	Akana	D11/3
D596,610 S	7/2009	Hou		2001/0017663 A1	8/2001	Yamaguchi et al.	
D606,889 S	12/2009	Nusbaumer		2002/0051075 A1	5/2002	Yamaguchi et al.	
D616,417 S	5/2010	Liao		2010/0061191 A1	3/2010	Chen	
7,708,457 B2	5/2010	Girardin et al.		2014/0096345 A1	4/2014	Tschumi	
D622,164 S	8/2010	Mikkelsen		2014/0098649 A1	4/2014	Tschumi	
D631,373 S	1/2011	Mikkelsen		2016/0062392 A1	3/2016	Townsend et al.	
D637,094 S	5/2011	Cobbett et al.		2016/0062405 A1	3/2016	Mylvaganam et al.	
D637,918 S	5/2011	Cobbett et al.					
D638,725 S *	5/2011	Morrison	D10/39				
D650,706 S	12/2011	Zanella et al.					
D666,503 S	9/2012	Bulgari					
D674,488 S	1/2013	McKay et al.					
8,345,412 B2 *	1/2013	Maravilla	A45F 5/00 224/219				
D681,483 S	5/2013	Biegert et al.					
8,601,784 B2	12/2013	Kaltenrieder					
8,613,544 B2	12/2013	Kitahara et al.					
D699,701 S	2/2014	Kim					
D715,674 S	10/2014	Squires					
D719,123 S	12/2014	Park et al.					
D719,467 S	12/2014	Bradbury					
D720,249 S	12/2014	Park et al.					
D724,469 S	3/2015	Akana et al.					
D724,556 S	3/2015	Choi et al.					
D727,197 S	4/2015	Akana et al.					
D727,198 S	4/2015	Akana et al.					
D727,199 S	4/2015	Akana et al.					
D728,624 S	5/2015	Akana et al.					
D729,237 S *	5/2015	Fagnot	D14/344				
D729,654 S	5/2015	Nuovo et al.					
D729,670 S	5/2015	Nuovo et al.					
D731,346 S	6/2015	Akana et al.					
D732,416 S	6/2015	Akana et al.					
D737,156 S	8/2015	Akana et al.					
D737,157 S	8/2015	Akana et al.					
D737,158 S	8/2015	Akana et al.					
D737,159 S	8/2015	Akana et al.					
D739,768 S *	9/2015	Hanshew	D10/30				
D739,780 S	9/2015	Akana et al.					
D740,693 S	10/2015	Carmichael					
D741,726 S	10/2015	Akana et al.					
D744,356 S	12/2015	Akana et al.					
D745,421 S	12/2015	Akana et al.					
D745,515 S	12/2015	Solomon et al.					
D746,707 S	1/2016	Akana et al.					
D748,008 S	1/2016	Akana et al.					
D748,009 S	1/2016	Akana et al.					
D748,010 S	1/2016	Akana et al.					
D748,527 S	2/2016	Akana et al.					
D749,009 S	2/2016	Akana et al.					

FOREIGN PATENT DOCUMENTS

DE	19513647	A1	10/1995
DE	10229050	C1	6/2003
EP	1098231	A1	5/2001
EP	001109706-0025		5/2009
EP	2636328	A1	9/2013
ES	001359301-0002		6/2013
GB	618917	A	3/1949
GB	1056574		8/1989
GB	2047767		9/1995
GB	2049316		12/1995
GB	2082277		6/1999
HK	0501949		12/2005
HK	1001605		12/2010
JP	D1126907		11/2001
JP	D1337795		8/2008
JP	D1423962		9/2011
JP	D1433115		2/2012
JP	D1448029		8/2012
JP	D1462747		2/2013
WO	WO-DM/012262-001		1/1989
WO	WO-DM/049450-002		12/1999
WO	WO-DM/066491-004		3/2005
WO	WO-DM072215		9/2009
WO	WO-DM/077452-004		6/2011
WO	WO-DM/079044-003		9/2012
WO	WO-2013182397	A1	12/2013
WO	WO-2014135709	A2	9/2014

OTHER PUBLICATIONS

Oh Boy! The Mickey Mouse Apple Watch is no heart-throb, posted Nov. 27, 2014, [retrieved Oct. 26, 2017]. Retrieved from Internet, <URL: https://www.theregister.co.uk/2014/11/27/apple_watch_mickey_mouse_tech/ >.*

Top Catalog for 44mm Panerai >> 24mm NATO >> 24624BZU00N3F18, posted May 3, 2016, [retrieved Oct. 26, 2017]. Retrieved from Internet, <URL: <https://www.strapcode.com/store/miltat-24mm-rings-zulu-water-repellent-nylon-military-green-brushed-p-4558.html#.WfKRtv7rvbo> >.*

- The Real James Bond Watchstrap Comes to Life, posted Dec. 17, 2011, [retrieved Oct. 26, 2017]. Retrieved from Internet, <URL: <http://www.rolexmagazine.com/2009/07/real-james-bond-watchstrap-comes-to.html> >.*
- “Louis Moinet Geograph,” posted at worldwatchreview.com, dated Mar. 14, 2011. Available from Internet: <<http://www.worldwatchreview.com/2011/03/14/louis-moinet-geograph-limited-edition/>>. Retrieved Oct. 10, 2017.
- “Innovative Components Knurled Knob K4 Master,” posted at knobsources.com/catalog_prints.html, Posting date unknown, Drawing dated Nov. 27, 2007. Available from Internet: <<http://www.knobsources.com/pdf/k4-master-rev-0.pdf>>. Retrieved Oct. 10, 2017.
- Alvarez, Edgar, “Basis Peak to get its smartwatch-like features in December,” [engadget.com](http://www.engadget.com), <<http://www.engadget.com/2014/11/20/basis-peak-new-features/>>, dated Nov. 20, 2014, accessed Dec. 15, 2014.
- Cool Material, “Braun Square Digital Watch,” <<http://web.archive.org/web/20111125033014/http://coolmaterial.com/style/braun-square-digital-watch/>>, dated Nov. 25, 2011, accessed Dec. 18, 2014.
- Emily, “Nixon—The Newton Digital,” <<http://www.freshnessmag.com/2009/09/08/nixon-the-newton-digital/>>, [freshnessmag.com](http://www.freshnessmag.com), dated Sep. 8, 2009, accessed Oct. 9, 2014.
- etsy.com, “1 Set Silver End Cap Clasp—Findings Large Toggle Clasp End Caps Buckle Connector with Five Inside Loops for Jewelry Making 26mm,” <<http://www.etsy.com/listing/101269004/1-set-silver-end-cap-clasp-findings?ref=market>>, Listed on Aug. 29, 2014, accessed Oct. 9, 2014.
- “Field Ops Watch Band Kit” <<http://www.511tactical.com/field-ops-watch-band-kit.html>>, accessed Nov. 25, 2014.
- Fitbit, “Fitbit Surge™ Fitness Super Watch” <<https://www.fitbit.com/surge>>, accessed Dec. 15, 2014.
- Free Silicone Band, Inteny Apple Watch Band Series 1 Series 2 Colorful Pattern Woven Nylon Band Replacement Wrist Bracelet Strap Buckle for iWatch, 38mm, Toasted Coffee & Caramel, posted unknown, [retrieved Oct. 27, 2016]. Retrieved from Internet <URL: <https://www.amazon.com/dp/B01LXBIO6M?psc=1>>.
- geekbuying.com, “Makibes unisex red led digital wrist watch with square case silicone watchband—white,” <<http://www.geekbuying.com/item/Unisex-Red-LED-Digital-Wrist-Watch-with-Square-Case-Silicone-Watchband---White-326443.html>>, accessed Oct. 9, 2014.
- Google’s upcoming smartwatch is an Android project not X Lab, posted Mar. 22, 2013, [retrieved Jul. 22, 2016]. Retrieved from Internet, <URL: <http://www.talkandroid.com/155456-googles-upcoming-smartwatch-is-an-android-project-not-x-lab/>>.
- Hiemstra, Graham, “Worn & Wound Model 1 Horween Watch Strap,” <<http://www.coolhunting.com/style/worn-wound-model-1-horween-watch-strap>>, dated Aug. 27, 2013, accessed Nov. 25, 2014.
- Hilbourne, Jason, “Wide Body: straps for Pebble,” <<https://www.kickstarter.com/projects/1171859847/wide-body-straps-for-pebble>>, Listed Apr. 2, 2013, accessed Nov. 25, 2014.
- Hodinkee.com, “Apple iPod Nano Now Available With Mickey Mouse Dial, Also Cheesy, Mechanically Inaccurate Open-Worked Dial,” <<http://web.archive.org/web/20111006043916/http://www.hodinkee.com/blog/2011/10/5/apple-ipod-nano-now-available-with-mickey-mouse-dial-also-ch.html>>, dated Oct. 6, 2011, accessed Dec. 18, 2014.
- Homego, “M6 Silver Smart Watch Cell Phone 1.54 inch Bluetooth 3.0 Dialer Outdoor Sports Pedometer,” [amazon.com](http://www.amazon.com), <<http://www.amazon.com/Silver-Bluetooth-Dialer-Outdoor-Pedometer/dp/B00MQTBGK6>>, accessed Dec. 15, 2014.
- Ikepod, “Original Ikepod Watch With GMT—Marc Newson Design,” [Watchbox.be](http://www.watchbox.be), <<http://www.watchbox.be/prod/Others-Watches/Marc%20Newson%20Design/item7165.htm#>>.
- VJLm2fAo5D8>, accessed Dec. 17, 2014.
- LG Life’s Good, “LG G Watch (W100),” <<http://www.lg.com/us/smart-watches/lg-W100-g-watch>>, accessed Dec. 18, 2014.
- Metawatch, “Frame—Black (MW3005),” <<http://meta.watch/collections/smartwatch-all/products/frame-ss-black-leather>>, accessed Dec. 15, 2014.
- Omate, “Omate TrueSmart: Water-resistant standalone Smartwatch 2.0,” <<http://www.kickstarter.com/projects/omate/omate-truesmart-water-resistant-standalone-smartwa>>, dated Aug. 21, 2013, accessed Oct. 8, 2014.
- Omate Smartwatch Launches on Kickstarter Offering a Wealth of Features, posted Aug. 22, 2013, [retrieved Jul. 22, 2016]. Retrieved from Internet, URL: <http://www.geeky-gadgets.com/omate-smartwatch-launches-on-kickstarter-offering-a-wealth-offeatures-video-22-08-2013/>.
- Omate, “The TrueSmart™ is the world’s first standalone smartwatch 2.0 running on top of Android and OUI 2.0,” <<http://www.omate.com/product.html>>, accessed Dec. 15, 2014.
- [Online] http://a.abcnews.com/images/Business/HT_gold_apple_iwatch_jef_140909_4x3_992.jpg, Retrieved on Feb. 4, 2015, 1 page.
- Pebble, “Pebble Smartwatch,” getpebble.com, <<https://getpebble.com/checkout>>, accessed Dec. 15, 2014.
- Samsung, “Samsung Gear™ 2 Charcoal Black SM-R3800VSAXAR,” <<http://www.samsung.com/us/mobile/wearable-tech/SM-R3800VSAXAR>>, accessed Dec. 15, 2014.
- Samsung, “Samsung Gear S™, (Sprint), Black SM-R750PZKASPR,” <<http://www.samsung.com/us/mobile/wearable-tech/SM-R750PZKASPR>>, accessed Dec. 15, 2014.
- Samsung, “Galaxy Gear™ Live, Black SM-R3820ZKAXAR,” <<http://www.samsung.com/us/mobile/wearable-tech/SM-R3820ZKAXAR>>, accessed Dec. 15, 2014.
- Sony, “SmartWatch,” <<http://www.sonymobile.com/us/products/accessories/smartwatch/>>, accessed Dec. 15, 2014.
- Sony, “SmartWatch 3 SWR50,” <<http://www.sonymobile.com/us/products/smartwear/smartwatch-3-swr50/>>, accessed Dec. 15, 2014.
- Stables, James, “Clevercare smartwatch aims to help Alzheimer’s suffers and carers: Revamped Sony SmartWatch 2 designed for users that need care,” [Wearable News](http://www.wearable.com), <<http://www.wearable.com/wearable-tech/clevercare-smartwatch-aims-to-help-alzheimers-suffers-and-carers-585>>, dated Dec. 15, 2014.
- Team Luxe, “Collector’s Edition: Hermes Carre H Watch,” [Luxpresso](http://luxpresso.com), <<http://luxpresso.com/news-couture/collectors-edition-hermes-carre-h-watch/2814>>, dated Jan. 10, 2011, accessed Dec. 18, 2014.
- Ted Baker, “Ted Baker Men’s TE1054 Time Flies Contemporary Square Digital Case Watch,” <<http://www.amazon.com/Ted-Baker-TE1054-Contemporary-Digital/dp/B0045CRTYO%3FSubscriptionId%3DAKIAJ3U4YRIBWCGGKZ2A%26tag%3Dfrases365-20%26linkCode%3Dsp1%26camp%3D2025%26creative%3D165953%26creativeASIN%3DB0045CRTYO>>, accessed Oct. 9, 2014.
- “Timex Men’s Q713808 Ironman Triathlon 30-Lap Resin 16mm Replacement Watchband” <http://www.amazon.com/Timex-Ironman-Triathlon-Replacement-Watchband/dp/B0030PZ5D0/ref=sr_1_1?s=apparel&ie=UTF8&qid=1416701895&sr=1-1&keywords=Timex+Men%27s+Q7B808+Ironman+Triathlon+30-Lap+Resin+16mm+Replacement+Watchband>, accessed Nov. 25, 2014.
- Top Brand Luxury Style Daniel Wellington Watches DW Watch for Men Nylon Strap Military Quartz Wristwatch Clock Reloj hombre 40mm, posted unknown, [retrieved Oct. 27, 2016]. Retrieved from Internet, URL: <http://www.dhgate.com/product/topbrand-luxury-style-daniel-wellington/239253633.html>.
- Velazco, Chris, “Asus Zen Watch review: subtle and stylish, with a few shortcomings,” [Engadget.com](http://www.engadget.com), <<http://www.engadget.com/2014/12/11/asus-zenwatch-review/>>, dated Dec. 11, 2014, accessed Dec. 15, 2014.
- WatchCat Online Shopping Mall, “PJS Seiko,” <http://m.watchcat.co.kr/board/product/read.html?board_no=4&no=27504>, dated Oct. 26, 2012, accessed Oct. 8, 2015.
- WatchCat Online Shopping Mall, “PVD Zulu style Military Nylon band/strap,” <http://www.watchcat.kr/product/detail.html?product_no=5162&cate_no=642&display_group=1>, dated 2010, accessed Oct. 8, 2015.
- Watches Infoniac.com, “Hermes Carre H Watch—Extremely Contemporary Design,” <<http://watches.infoniac.com/carre-h-watch-hermes.html>>, dated Aug. 13, 2010, accessed Dec. 18, 2014.

Watchismo, "Braun BN0042 Black Date Leather," < <http://web.archive.org/web/20130815073830/http://www.watchismo.com/braun-bn0042bkbk.aspx>>, dated Aug. 15, 2013, accessed Dec. 18, 2014.

U.S. Appl. No. 29/557,214, filed Mar. 7, 2016.

U.S. Appl. No. 29/557,217, filed Mar. 7, 2016.

U.S. Appl. No. 29/596,819, filed Mar. 10, 2017.

* cited by examiner

Primary Examiner — Barbara Fox

Assistant Examiner — Kristin E Reed

(74) *Attorney, Agent, or Firm* — Sterne, Kessler,
Goldstein & Fox P.L.L.C.

(57) **CLAIM**

The ornamental design for a wearable device, as shown and described.

DESCRIPTION

FIG. 1 is a front perspective view of a wearable device showing the claimed design;

FIG. 2 is a front view thereof;

FIG. 3 is a rear view thereof;

FIG. 4 is a right side view thereof;

FIG. 5 is a left side view thereof;

FIG. 6 is a top view thereof; and,

FIG. 7 is a bottom view thereof.

FIGS. 1-7 are illustrated to show contrasting appearance. Areas of the wearable device that appear in different shades of gray represent areas with contrasting appearances.

The broken lines in the figures show portions of the wearable device that form no part of the claimed design.

1 Claim, 5 Drawing Sheets

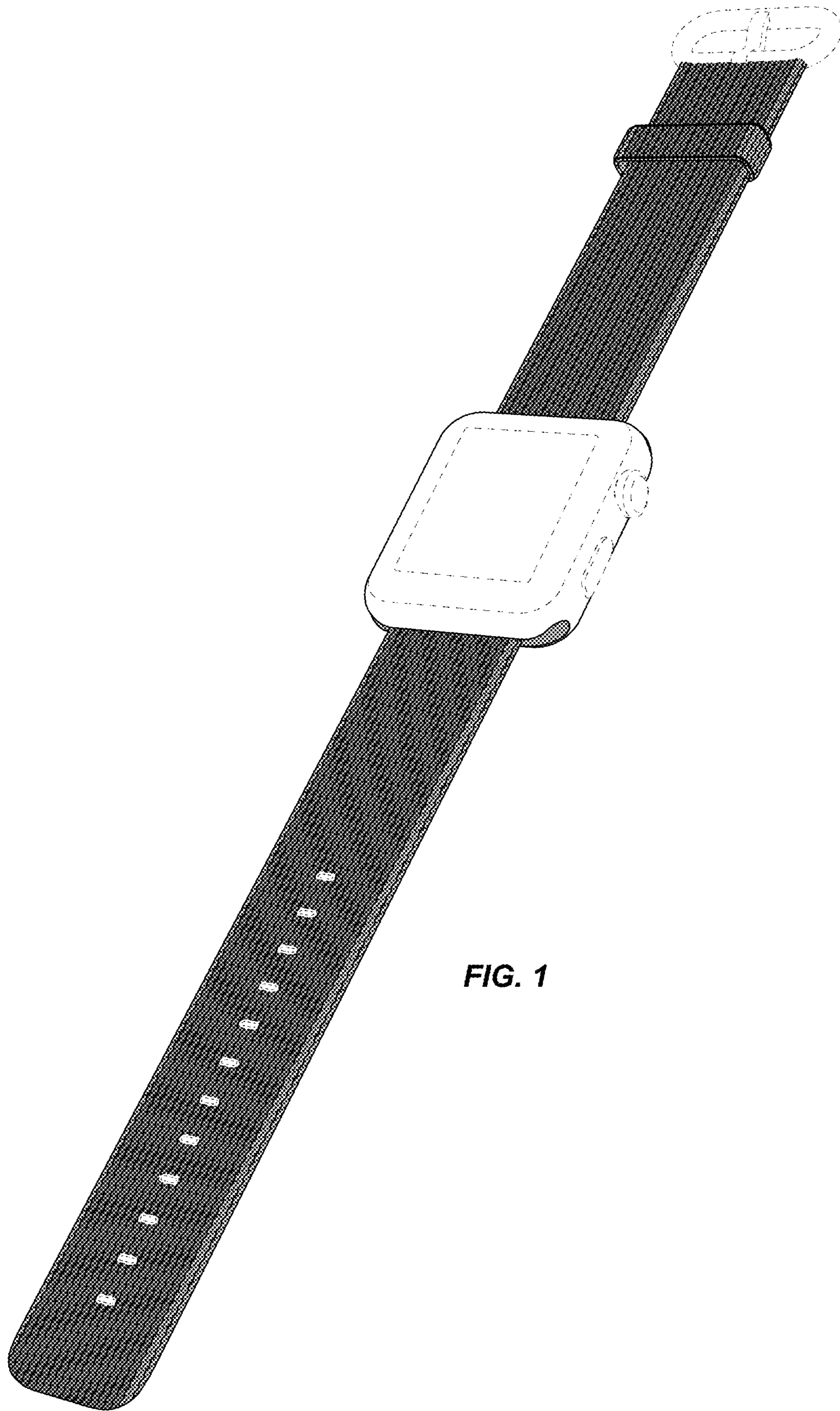


FIG. 1

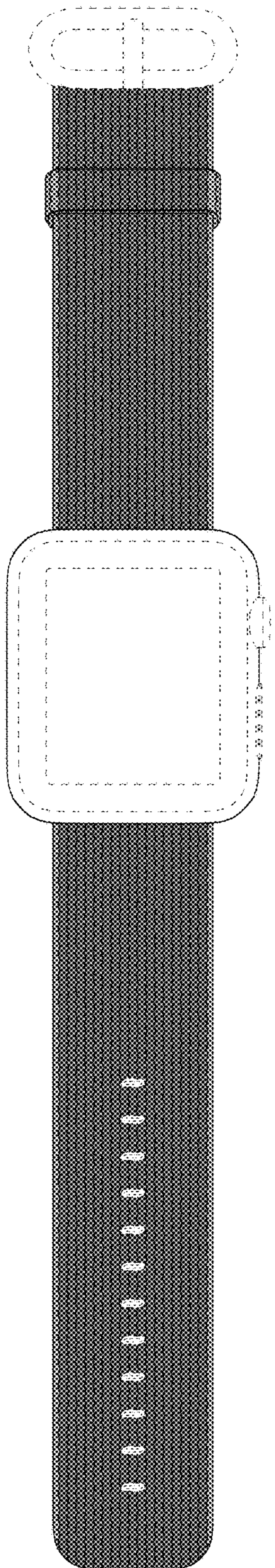


FIG. 2

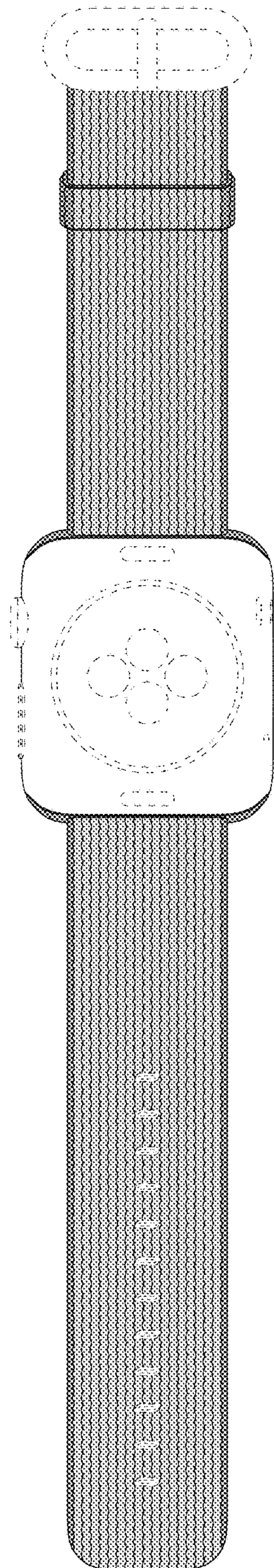


FIG. 3

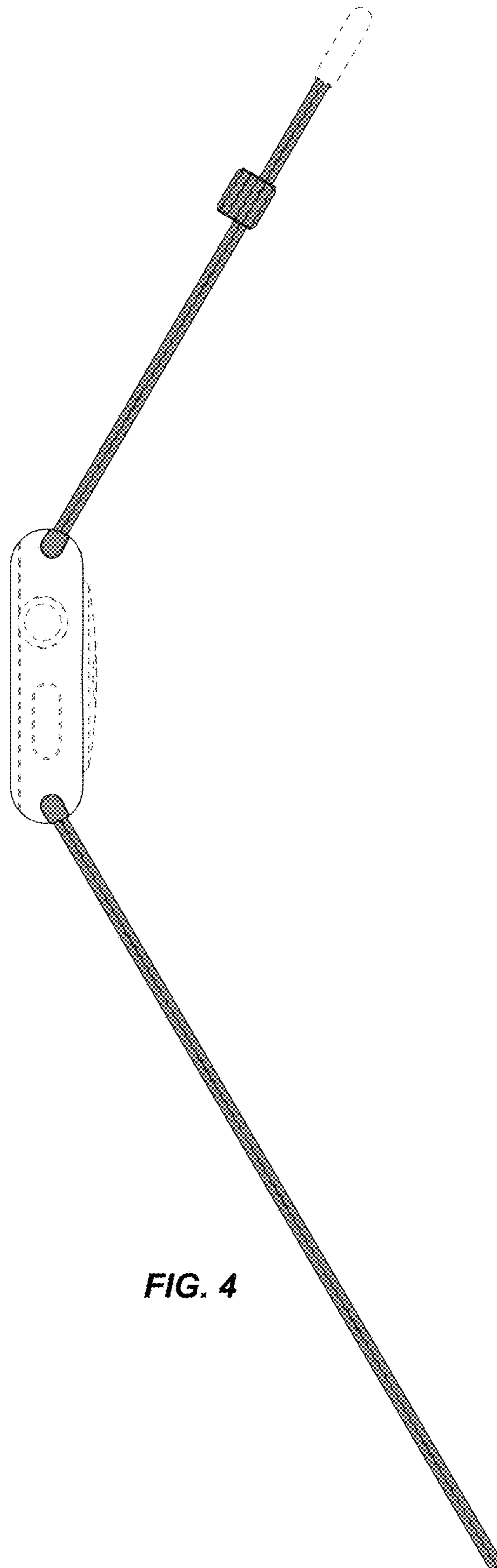


FIG. 4

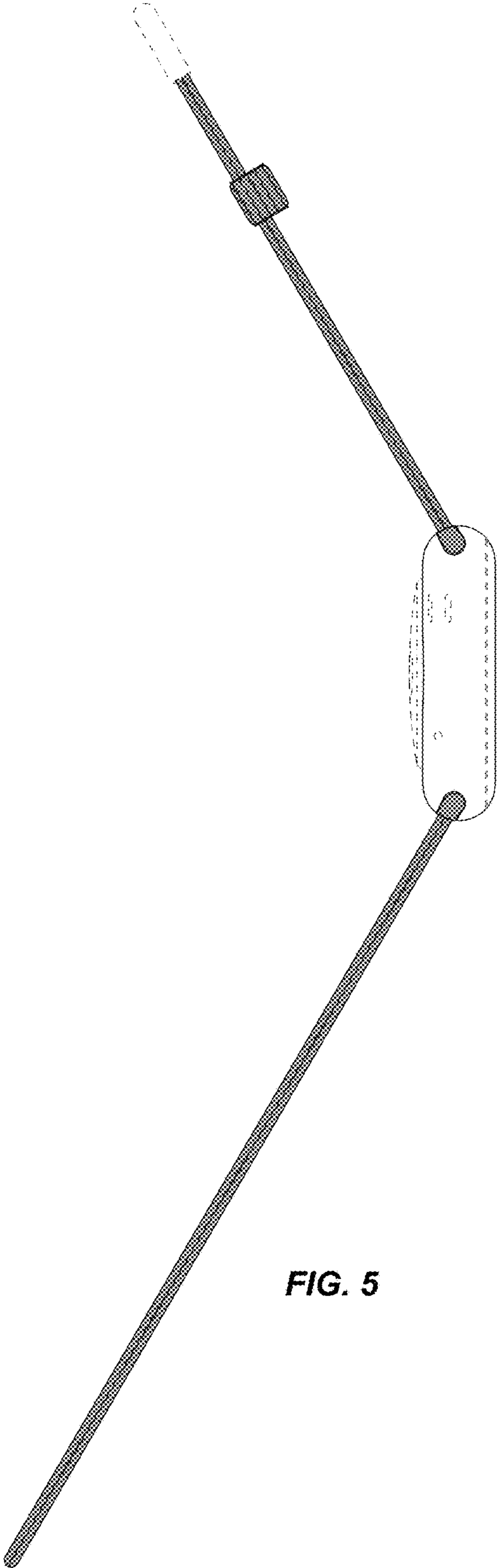


FIG. 5

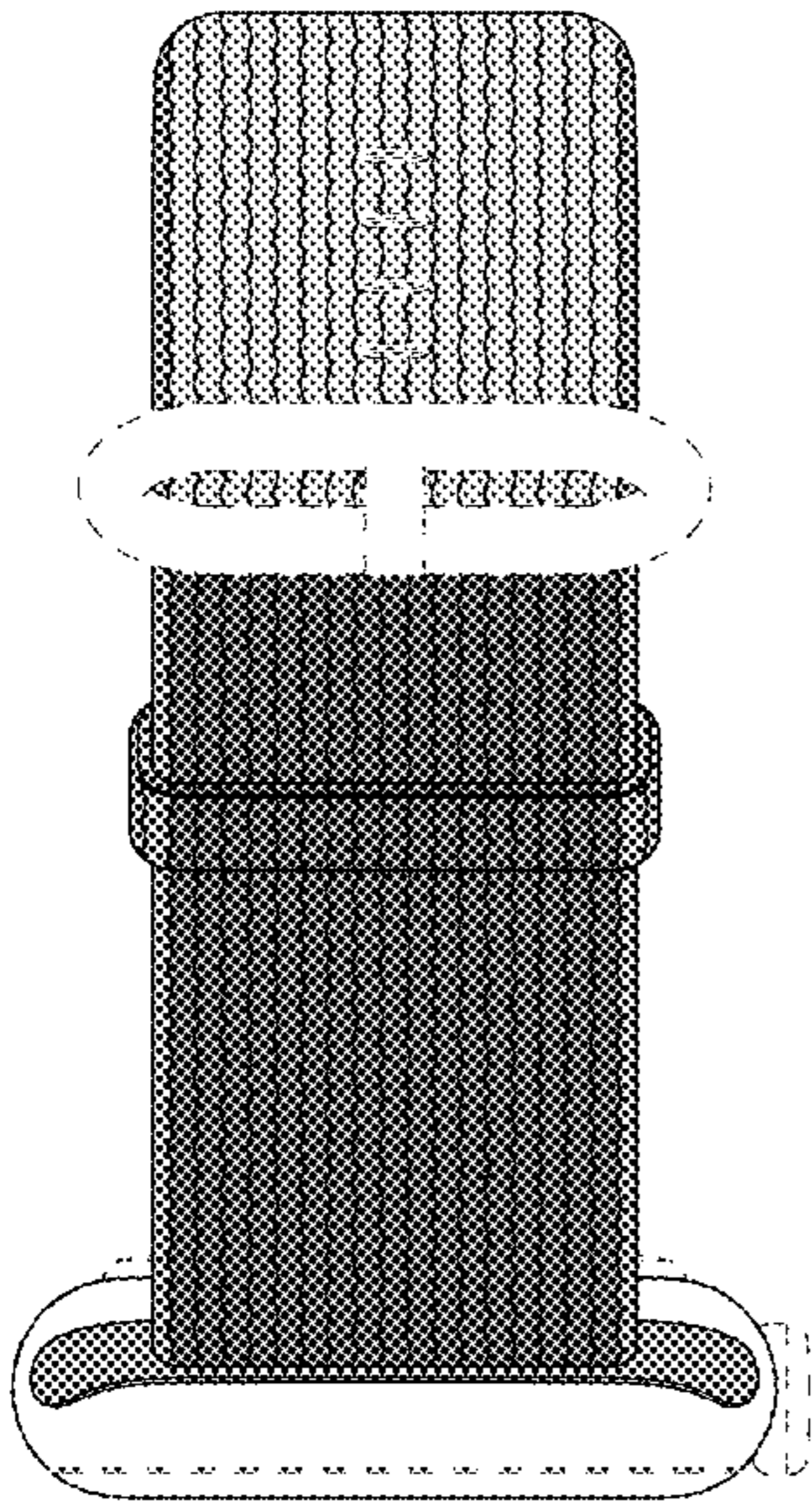


FIG. 6

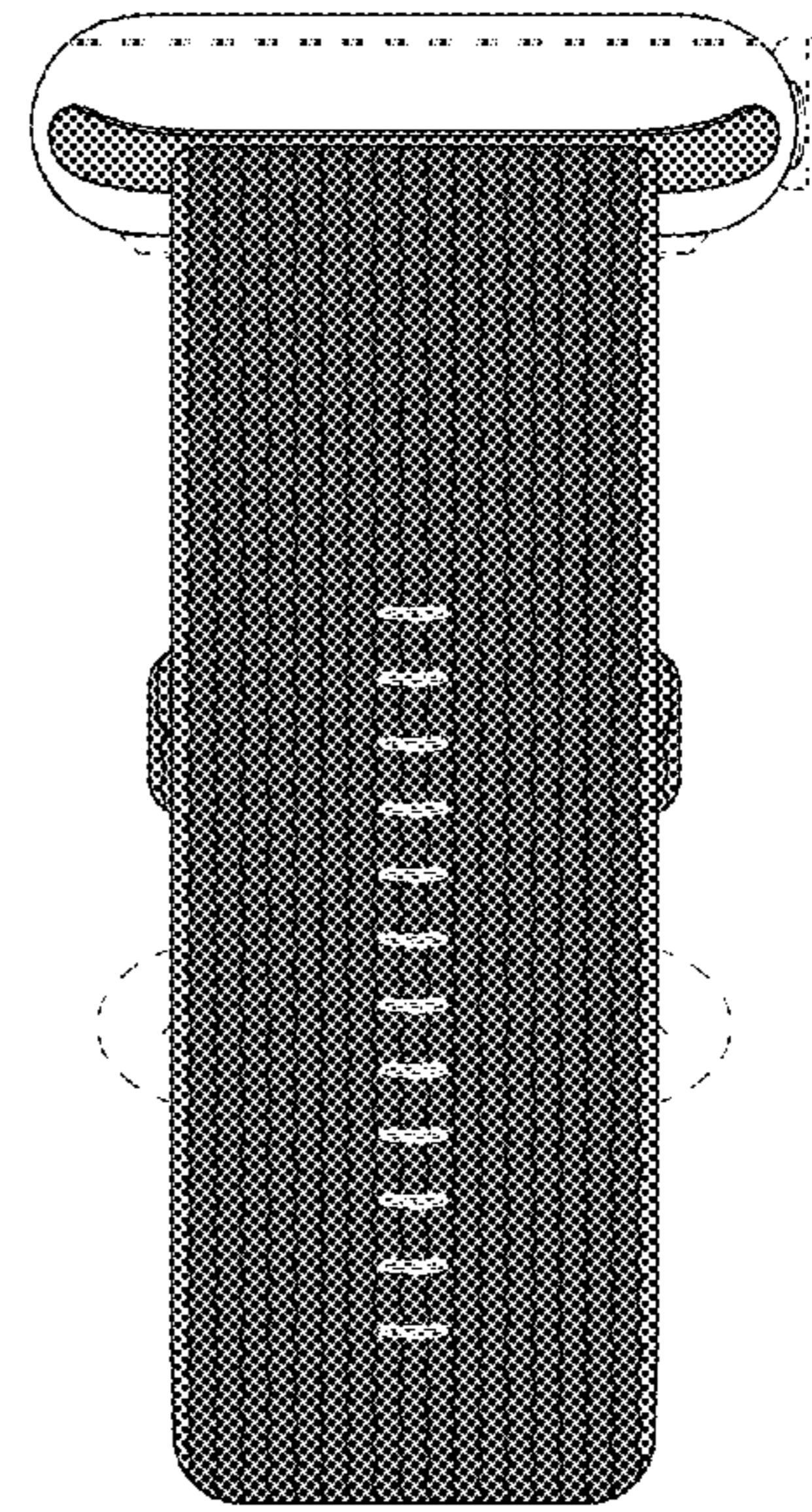


FIG. 7