



US00D806070S

(12) **United States Design Patent**  
**Bang et al.**

(10) **Patent No.:** **US D806,070 S**  
(45) **Date of Patent:** **\*\* Dec. 26, 2017**

(54) **ELECTRONIC DEVICE**

- (71) Applicant: **Samsung Electronics Co., Ltd.**,  
Suwon-si (KR)
- (72) Inventors: **Yongseok Bang**, Yongin-si (KR); **Miri Lee**,  
Namyangju-si (KR); **In Sik Chung**, Seoul (KR); **Jaehyung Hong**,  
Seoul (KR)
- (73) Assignee: **SAMSUNG ELECTRONICS CO., LTD.**,  
Suwon-si (KR)
- (\*\*) Term: **15 Years**
- (21) Appl. No.: **29/542,443**
- (22) Filed: **Oct. 14, 2015**
- (30) **Foreign Application Priority Data**

Aug. 13, 2015 (KR) ..... 30-2015-0041026

(51) **LOC (10) Cl.** ..... **14-02**

(52) **U.S. Cl.**  
USPC ..... **D14/344**

(58) **Field of Classification Search**  
USPC ..... D14/344, 138 R, 144, 358; D24/167,  
D24/169, 186-187; D11/3, 93-94;  
D10/30-39, 70, 98; 379/433.1;  
361/679.03

CPC ..... G06F 1/163; G06F 1/1628; G06F 1/1626;  
G06F 1/1635; G06F 1/08; G06F 1/10;  
G06F 1/04; G06F 1/14; G06F 1/3203;  
A41D 1/002; H04M 1/02; H04M 1/03;  
H04M 1/04; H04M 1/05; H04M 1/667;  
H04M 1/6058; Y02B 60/12; H04B 1/385;  
H04B 1/3888; H04B 1/3833; G06Q  
20/10; G06Q 20/108; G06Q 20/12; G06Q  
20/145

See application file for complete search history.

(56) **References Cited**

**U.S. PATENT DOCUMENTS**

- D246,577 S \* 12/1977 Inaba ..... D10/30
- D323,124 S \* 1/1992 Osawa ..... D10/30
- D478,012 S \* 8/2003 Tavenas ..... D10/39
- D501,641 S \* 2/2005 Sugiura ..... D10/39

(Continued)

**FOREIGN PATENT DOCUMENTS**

TW D167221 4/2015

**OTHER PUBLICATIONS**

King-Wear KW18 Smart Watch Phone CPU MTK2502C Metal Plating OGS Capacitive Screen with Anodic Oxidation Treatment Wrist Watch, posted Jun. 14, 2016, [retrieved Jun. 24, 2017]. Retrieved from Internet, <URL: <https://www.amazon.com/KING-WEAR-MTK2502C-Capacitive-Oxidation-Treatment/dp/B01FOECMMU>>.\*

(Continued)

*Primary Examiner* — Karen Kearney

*Assistant Examiner* — Kristin E Reed

(74) *Attorney, Agent, or Firm* — McAndrews Held & Malloy, Ltd.

(57) **CLAIM**

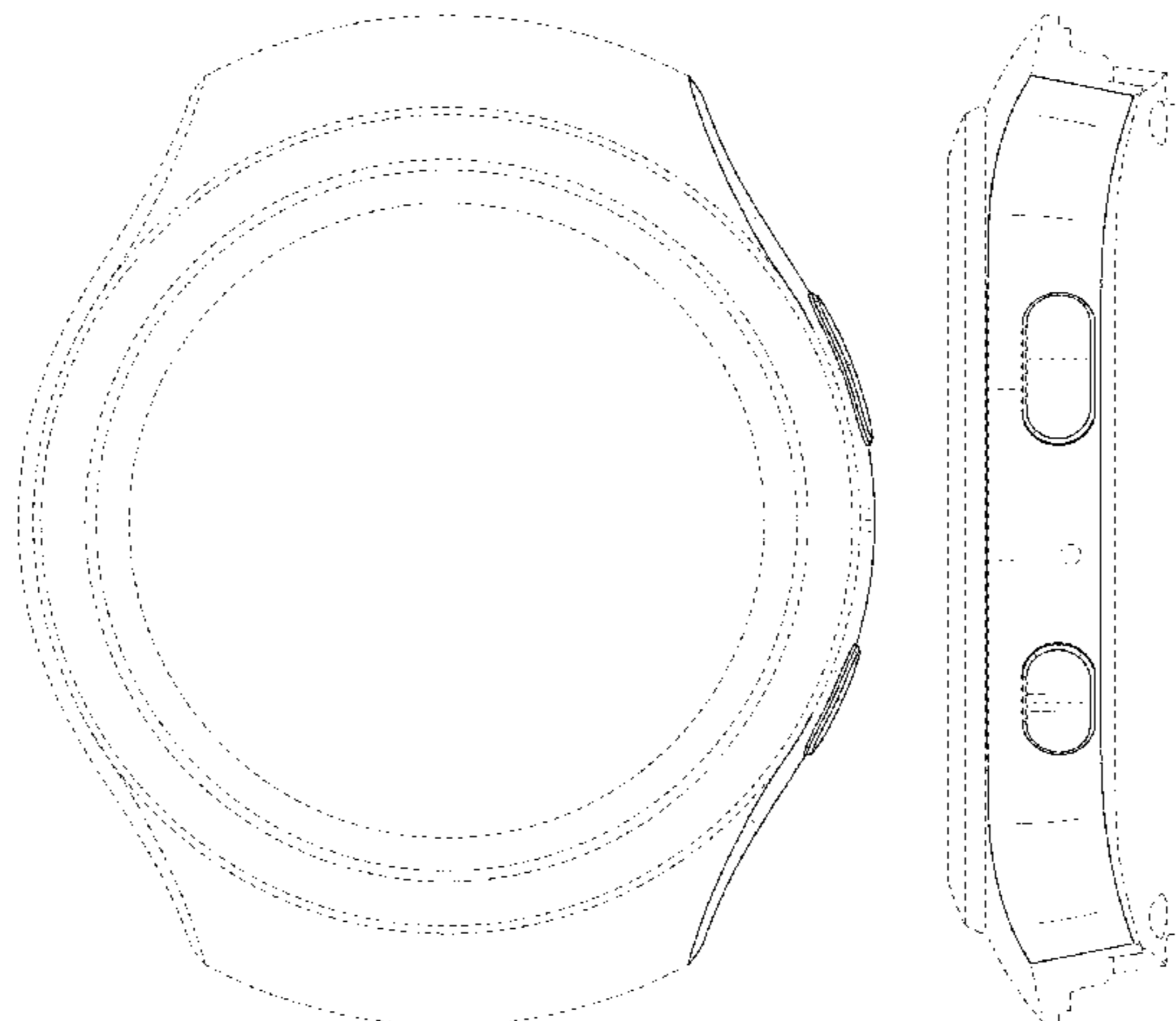
The ornamental design for an electronic device, as shown and described.

**DESCRIPTION**

FIG. 1 is a right perspective view of an electronic device showing our new design;  
FIG. 2 is a front elevation view thereof;  
FIG. 3 is a rear elevation view thereof;  
FIG. 4 is a left side elevation view thereof;  
FIG. 5 is a right side elevation view thereof;  
FIG. 6 is a top plan view thereof; and,  
FIG. 7 is a bottom plan view thereof.

The dashed broken lines in the figures depict portions of the electronic device that form no part of the claimed design.

**1 Claim, 7 Drawing Sheets**



(56)

References Cited

U.S. PATENT DOCUMENTS

D502,413 S \* 3/2005 Sugiura ..... D10/39  
 D502,879 S \* 3/2005 Bernheim ..... D10/32  
 D502,880 S \* 3/2005 Bernheim ..... D10/32  
 D536,266 S \* 2/2007 Tomimatsu ..... D10/38  
 D536,997 S \* 2/2007 Asakawa ..... D10/38  
 D538,181 S \* 3/2007 Sugiura ..... D10/31  
 D569,741 S \* 5/2008 Satou ..... D10/39  
 D583,682 S \* 12/2008 Blank ..... D10/32  
 D594,351 S \* 6/2009 Tonohori ..... D10/32  
 D594,765 S \* 6/2009 Rieseler ..... D10/39  
 D611,841 S \* 3/2010 Hatem ..... D10/32  
 D658,510 S \* 5/2012 Wai Kei ..... D10/32  
 D661,206 S \* 6/2012 Register ..... D10/38  
 D666,925 S \* 9/2012 Ahlstrom ..... D10/32  
 D673,463 S \* 1/2013 Dupont ..... D10/32  
 D681,482 S \* 5/2013 Ramos, Jr. .... D10/38  
 D695,637 S \* 12/2013 Jacquerye ..... D10/39  
 D725,073 S \* 3/2015 Ji ..... D10/38

D739,268 S \* 9/2015 Lammers-Meis ..... D10/30  
 D756,240 S \* 5/2016 Register ..... D10/30  
 D756,805 S \* 5/2016 Delhotal ..... D10/30  
 D762,492 S \* 8/2016 Sugiura ..... D10/126  
 D767,566 S \* 9/2016 Morgenroth ..... D14/344  
 D772,868 S \* 11/2016 Park ..... D10/39  
 D779,342 S \* 2/2017 Lintz ..... D10/30

OTHER PUBLICATIONS

Google's smartwatches get one critical thing wrong, posted Oct. 1, 2015, [retrieved Jun. 24, 2017]. Retrieved from Internet, <URL: <http://www.businessinsider.com/android-wear-notifications-are-bad-on-smartwatches-2015-9> >.\*  
 Alcatel OneTouch's new device family has a pretty tempting smartwatch, posted Sep. 4, 2014, [retrieved Jun. 24, 2017]. Retrieved from Internet, <URL: <https://www.engadget.com/2014/09/04/alcatel-hero-2-hero-8-smartwatch/> >.\*

\* cited by examiner

FIG. 1

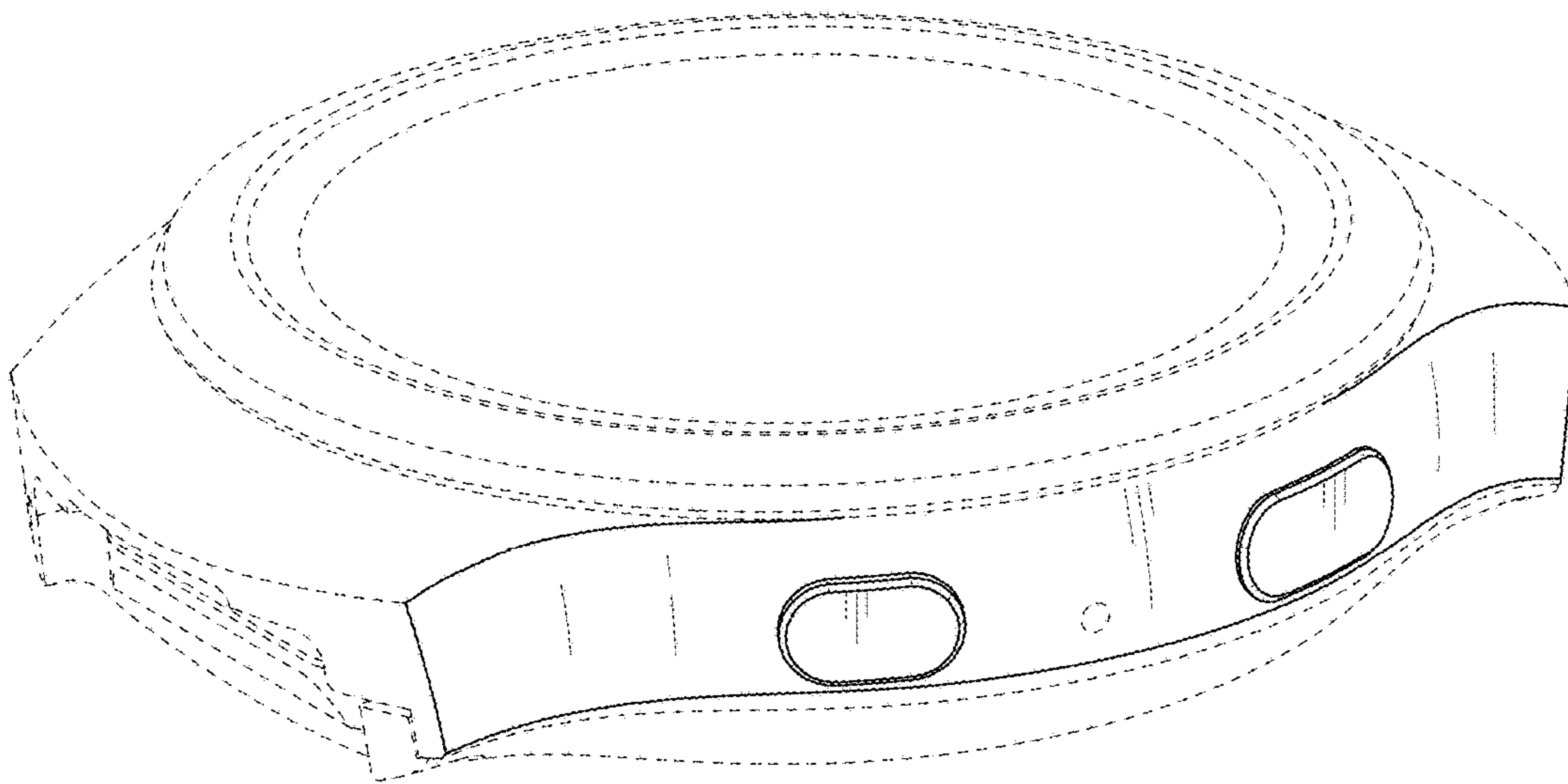


FIG. 2

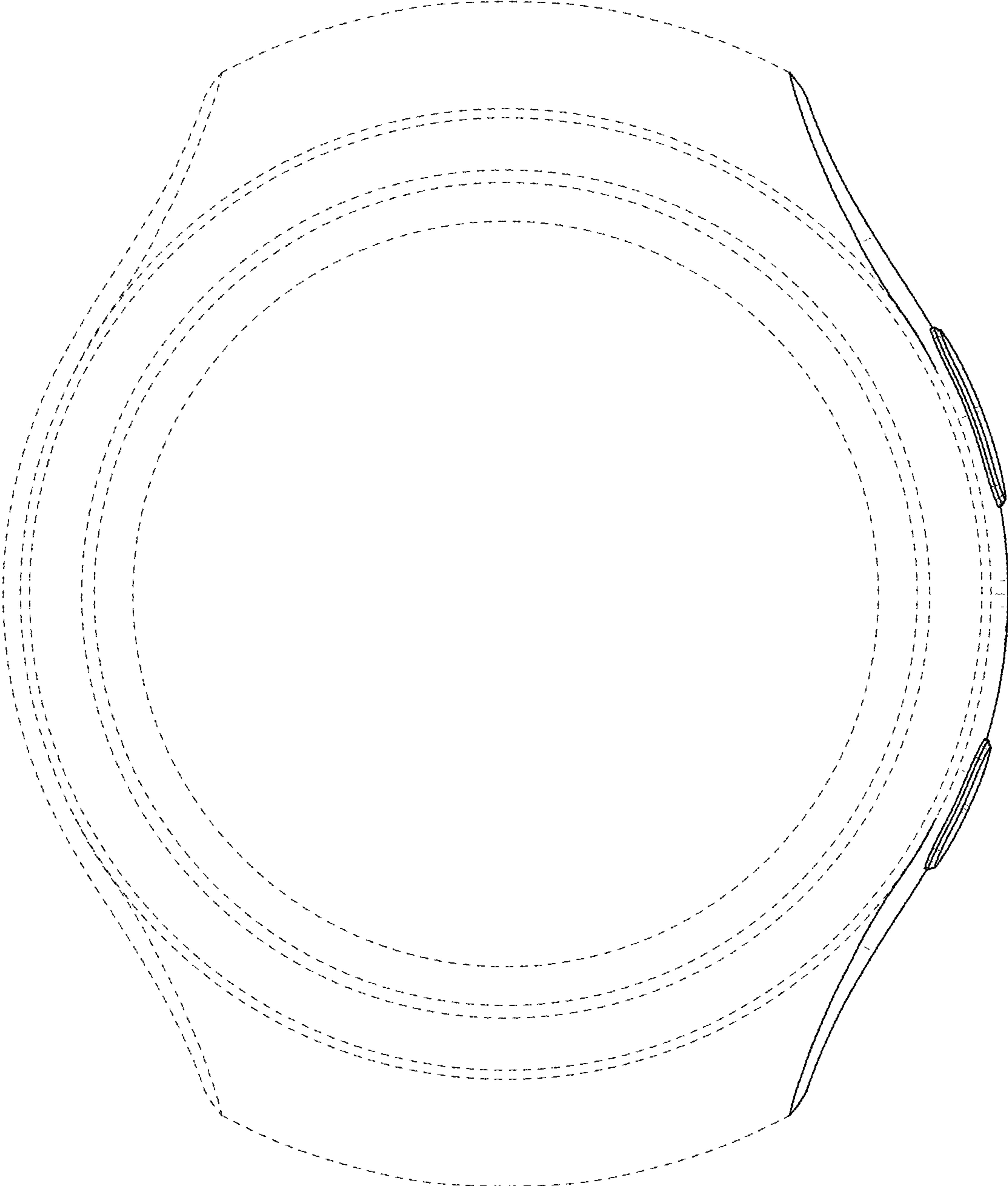


FIG. 3

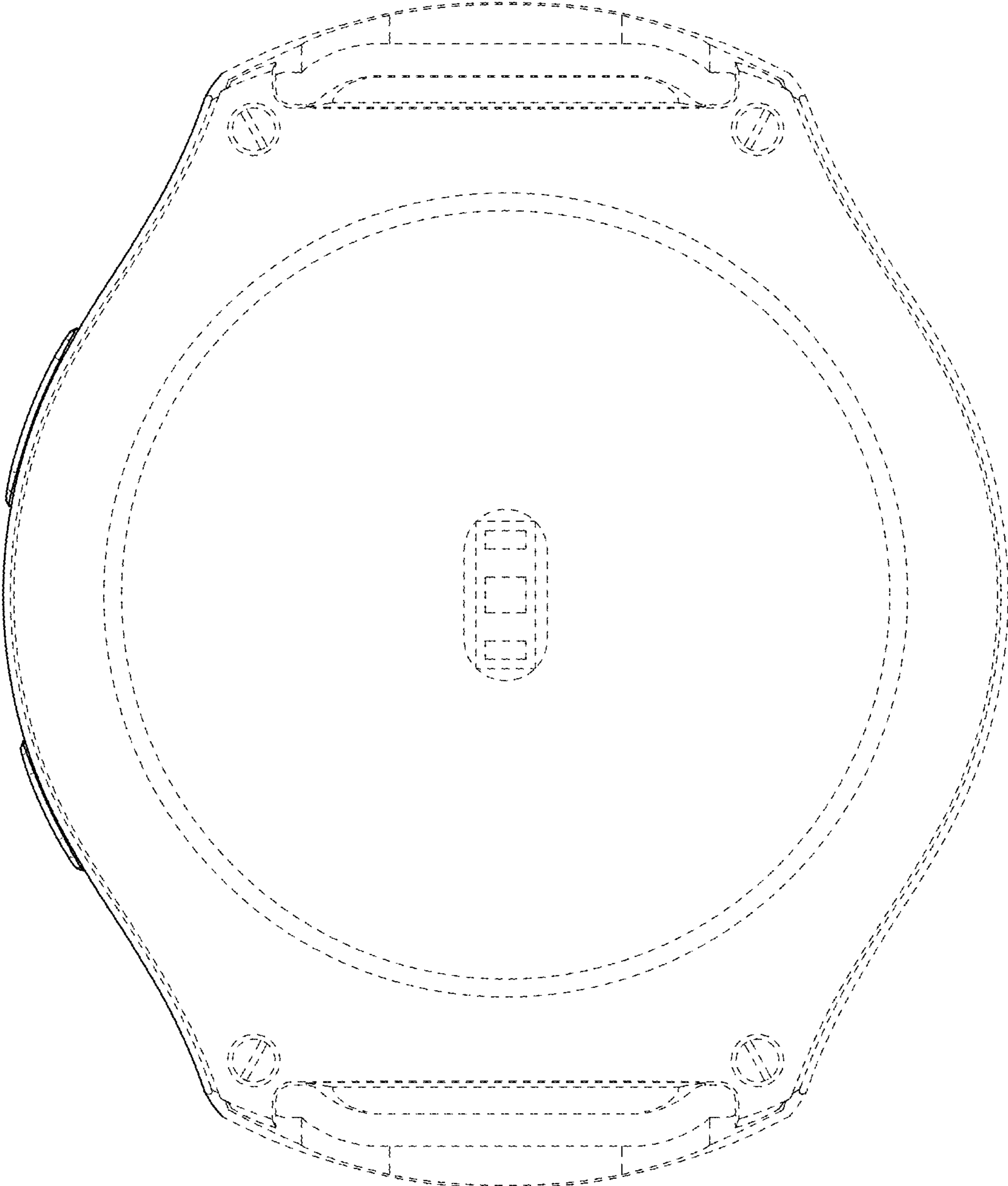


FIG. 4

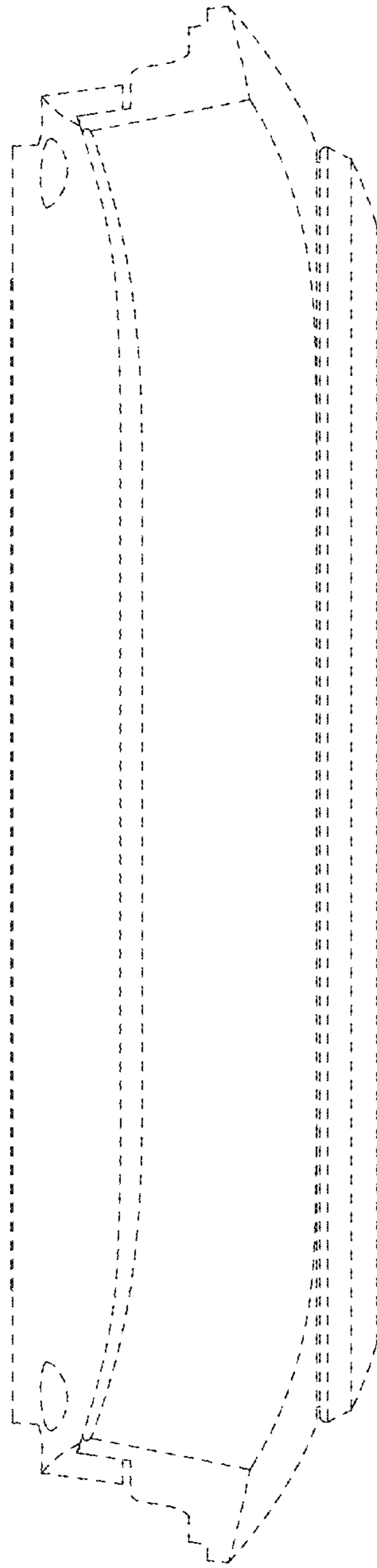


FIG. 5

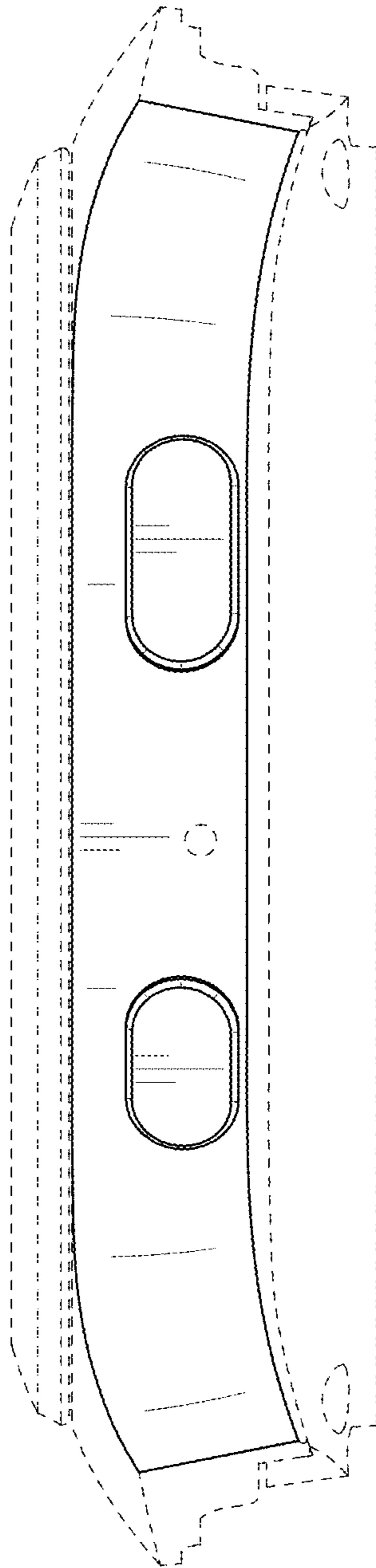


FIG. 6

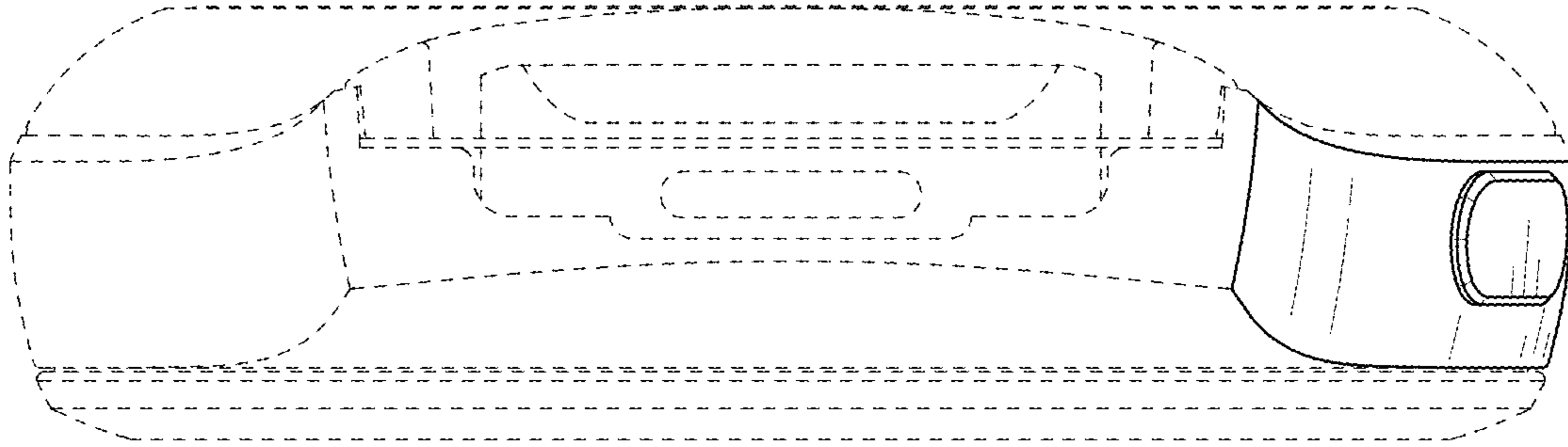




FIG. 7

