



US00D806069S

(12) **United States Design Patent**
Peng et al.

(10) **Patent No.:** **US D806,069 S**

(45) **Date of Patent:** **** Dec. 26, 2017**

(54) **DISPLAY DEVICE**

(71) Applicants: **HONGFUJIN PRECISION ELECTRONICS(CHONGQING)CO. LTD**, Chongqing (CN); **HON HAI PRECISION INDUSTRY CO., LTD.**, New Taipei (TW)

(72) Inventors: **Ye Peng**, Shenzhen (CN); **Ya-Dan Sun**, Shenzhen (CN); **Chih-Kang Cho**, New Taipei (TW)

(73) Assignees: **HONGFUJIN PRECISION ELECTRONICS (CHONGQING) CO., LTD.**, Chongqing (CN); **HON HAI PRECISION INDUSTRY CO., LTD.**, New Taipei (TW)

(**) **Term:** **15 Years**

(21) **Appl. No.:** **29/585,904**

(22) **Filed:** **Nov. 30, 2016**

(30) **Foreign Application Priority Data**

Sep. 22, 2016 (CN) 2016 3 0478245

(51) **LOC (10) Cl.** **14-02**

(52) **U.S. Cl.**
USPC **D14/336**

(58) **Field of Classification Search**
USPC D14/336, 341, 371, 373, 374, 375, 376, D14/377, 126, 127, 128, 129
CPC G06F 1/1601; G06F 1/1605; G06F 1/162
See application file for complete search history.

(56) **References Cited**

U.S. PATENT DOCUMENTS

- D523,855 S * 6/2006 Zhang D14/375
- D558,200 S * 12/2007 Tsai D14/375
- D584,310 S * 1/2009 Kim D14/374
- D602,453 S * 10/2009 Ding D14/126
- D648,337 S * 11/2011 Jeon D14/374

- D682,233 S * 5/2013 Yoo D14/126
- D694,209 S * 11/2013 Cho D14/126
- D726,717 S * 4/2015 Lee D14/371
- D732,029 S * 6/2015 Huh D14/374

(Continued)

FOREIGN PATENT DOCUMENTS

- CN 302943705 * 9/2014
- CN 303308634 * 7/2015
- CN 303564094 * 1/2016

OTHER PUBLICATIONS

Amazon. <URL: https://www.amazon.com/HP-27er-27-Backlit-Monitor/dp/B01F6V704G/ref=sr_1_21?s=pc&ie=UTF8&qid=1500639872&sr=1-21&keywords=computer+monitor.> HP monitor. May 5, 2016.*

(Continued)

Primary Examiner — Bridget L. Eland
Assistant Examiner — Lauren McVey
(74) *Attorney, Agent, or Firm* — ScienBiziP, P.C.

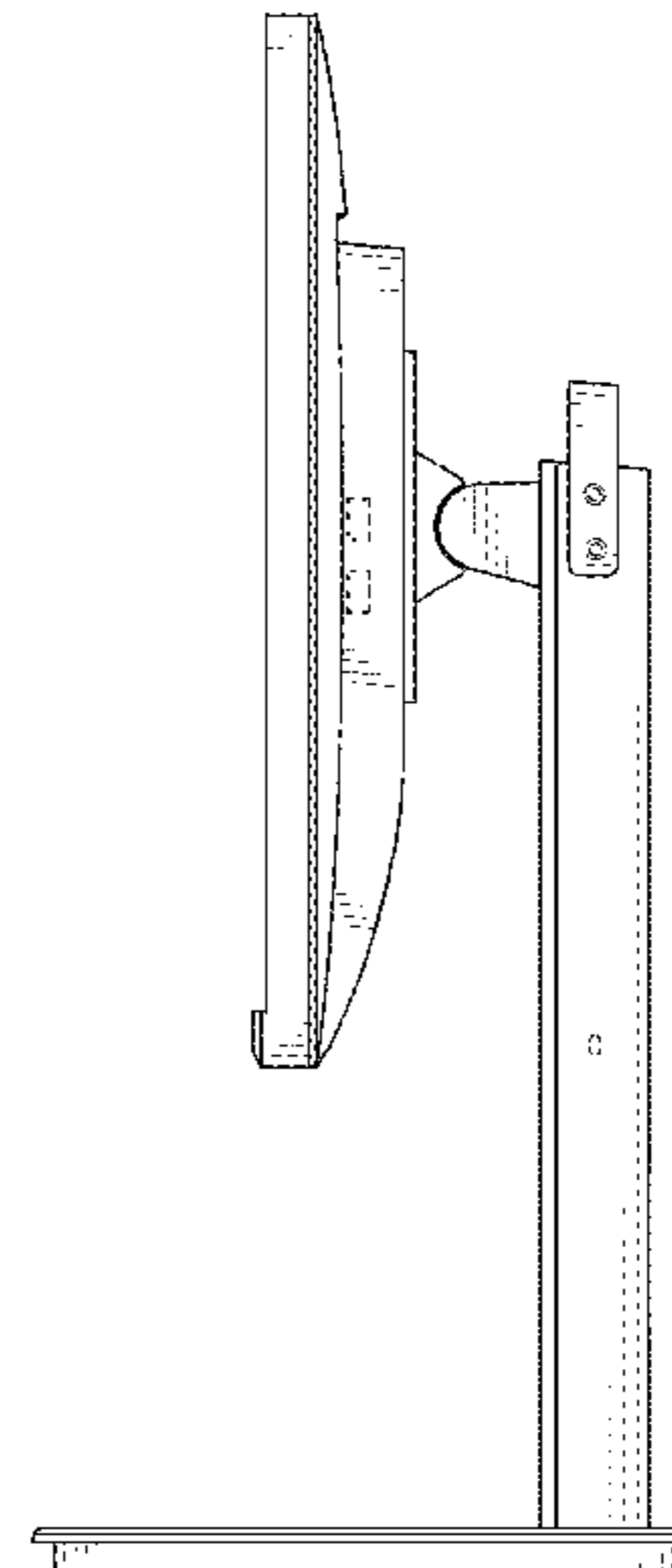
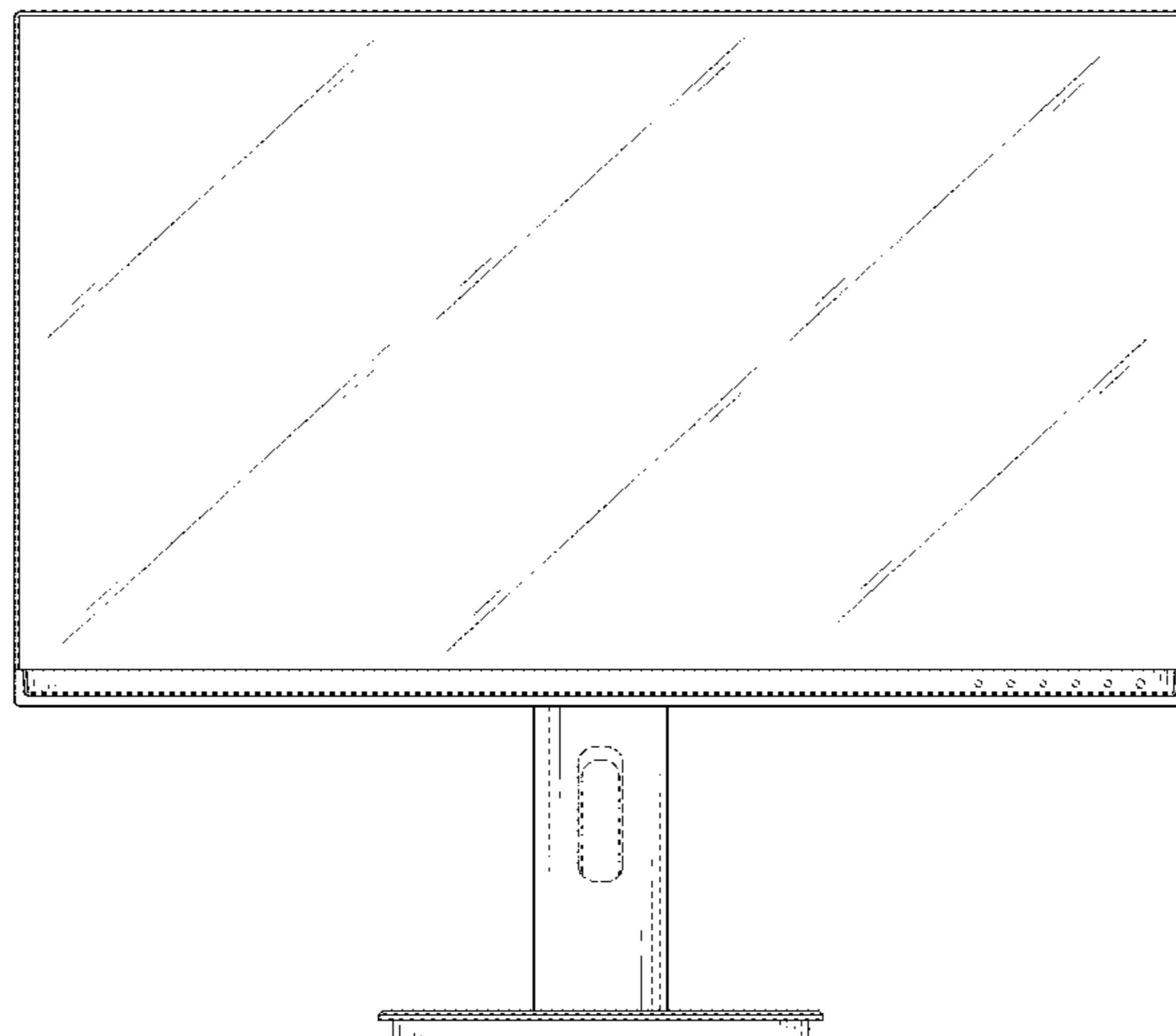
(57) **CLAIM**

The ornamental design for a display device, as shown and described.

DESCRIPTION

FIG. 1 is a perspective view of a display device, showing our new design;
FIG. 2 is a front elevational view thereof;
FIG. 3 is a rear elevational view thereof;
FIG. 4 is a left side elevational view thereof;
FIG. 5 is a right side elevational view thereof;
FIG. 6 is a top plan view thereof; and,
FIG. 7 is a bottom plan view thereof.
The broken lines that are immediately adjacent to the claim represent the bounds of the claim, while all other broken lines are directed to environment; the broken lines form no part of the claimed design.

1 Claim, 7 Drawing Sheets



(56)

References Cited

U.S. PATENT DOCUMENTS

D742,843 S * 11/2015 Lee D14/126
D747,717 S * 1/2016 Kim D14/336
D752,586 S * 3/2016 Lee D14/374
D763,259 S * 8/2016 Lee D14/375

OTHER PUBLICATIONS

Amazon. <URL: <https://www.amazon.co.uk/Lenovo-23-inch-Touchscreen-All-White/dp/B015Q29KPC>.> Lenovo all-in-one computer. Oct. 5, 2015.*

* cited by examiner

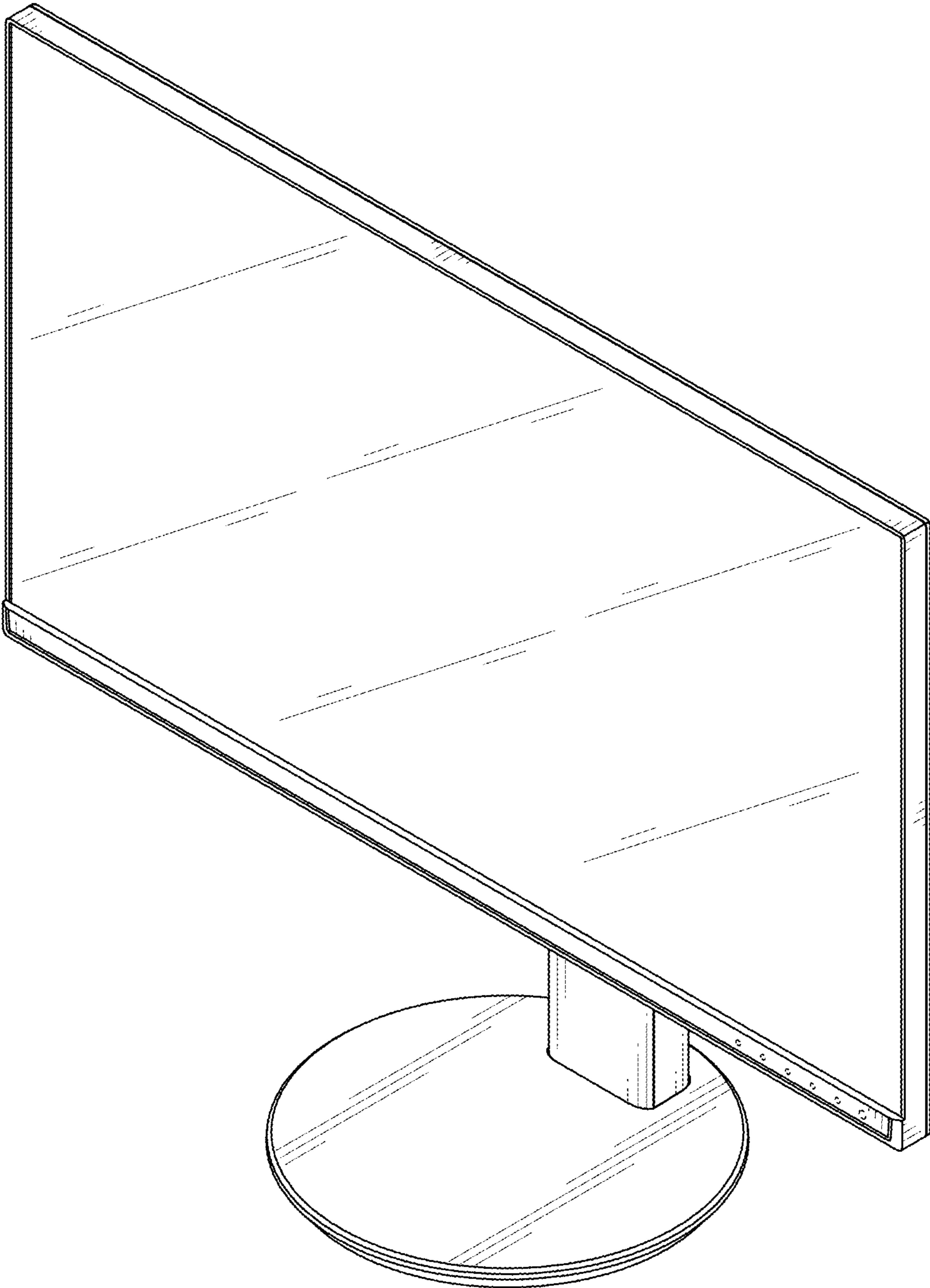


FIG. 1

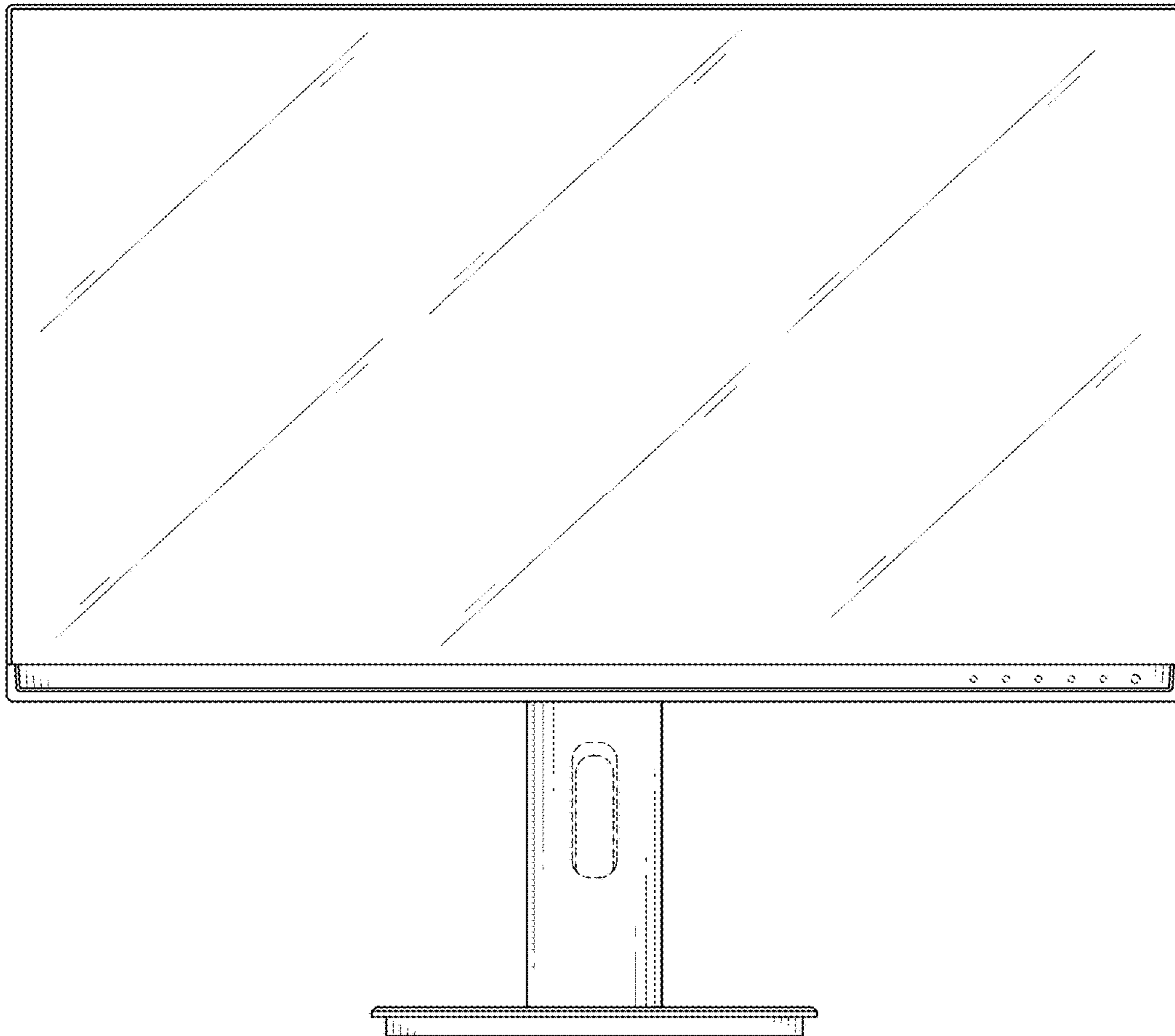


FIG. 2

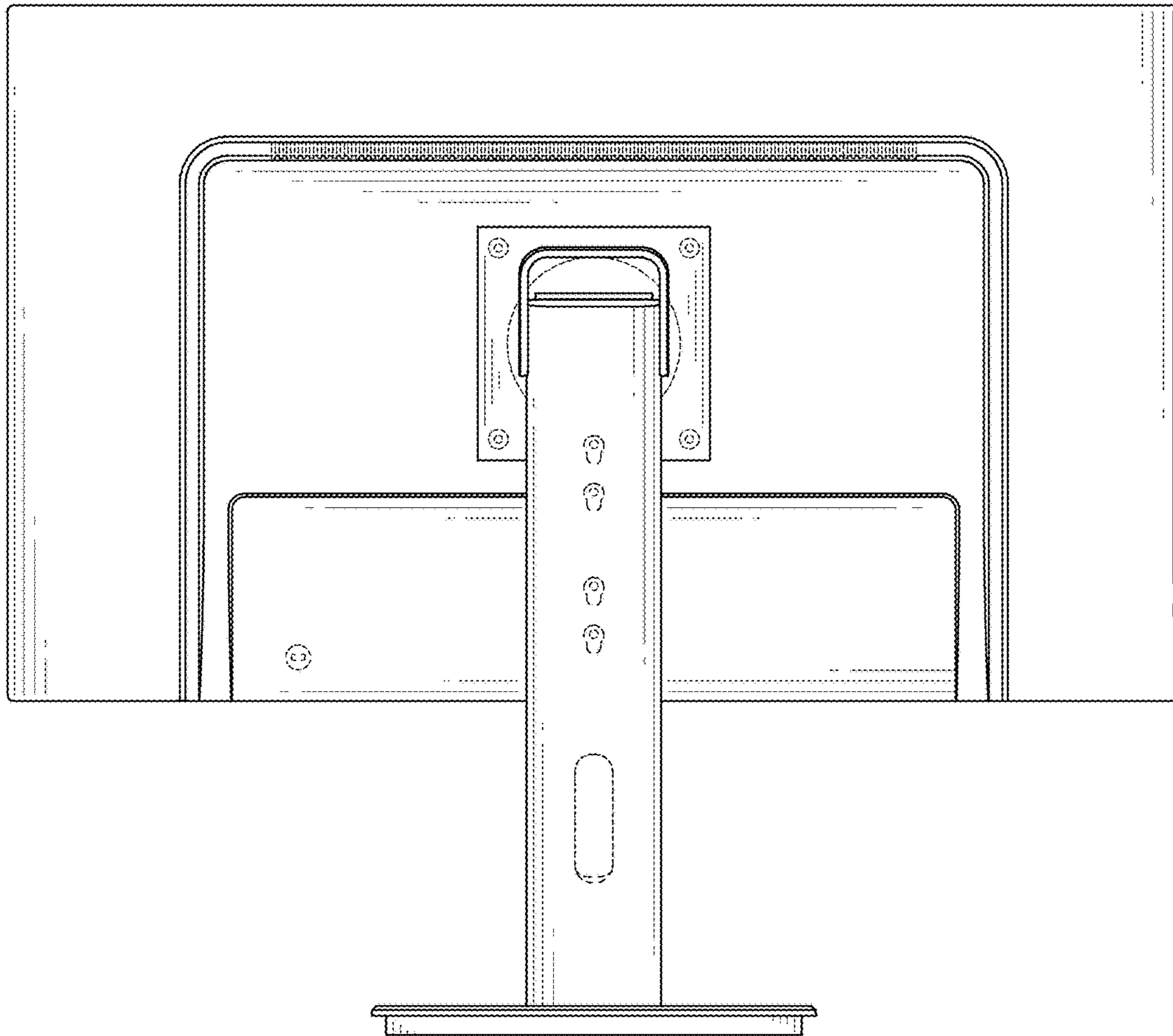


FIG. 3

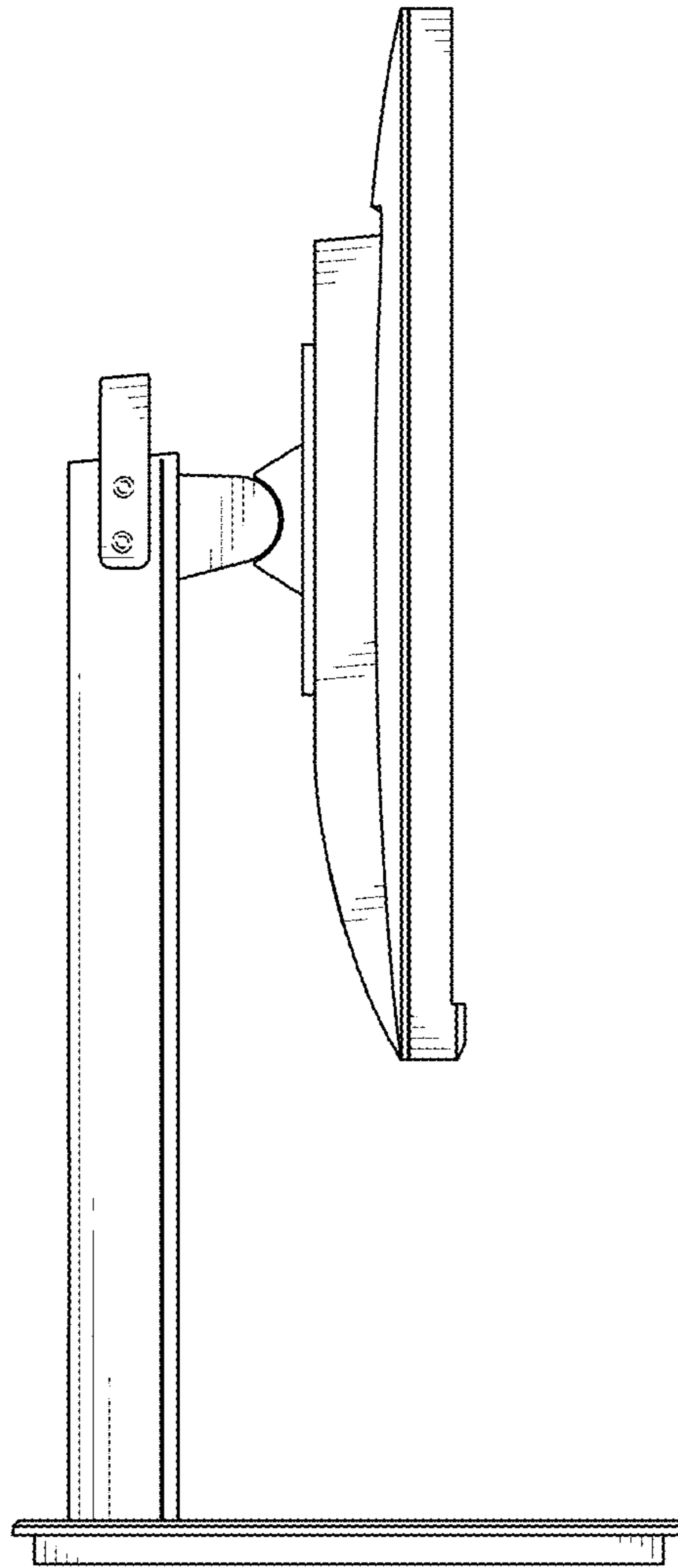


FIG. 4

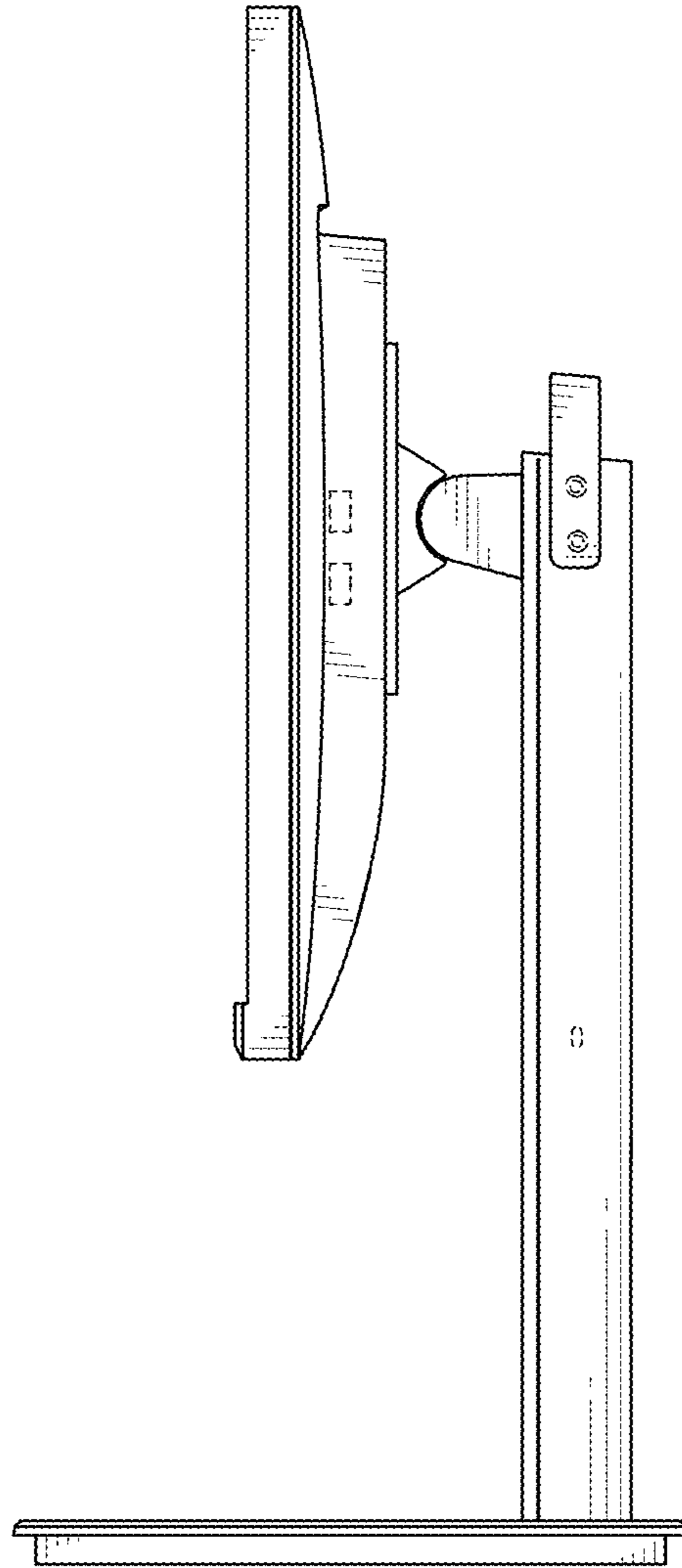


FIG. 5

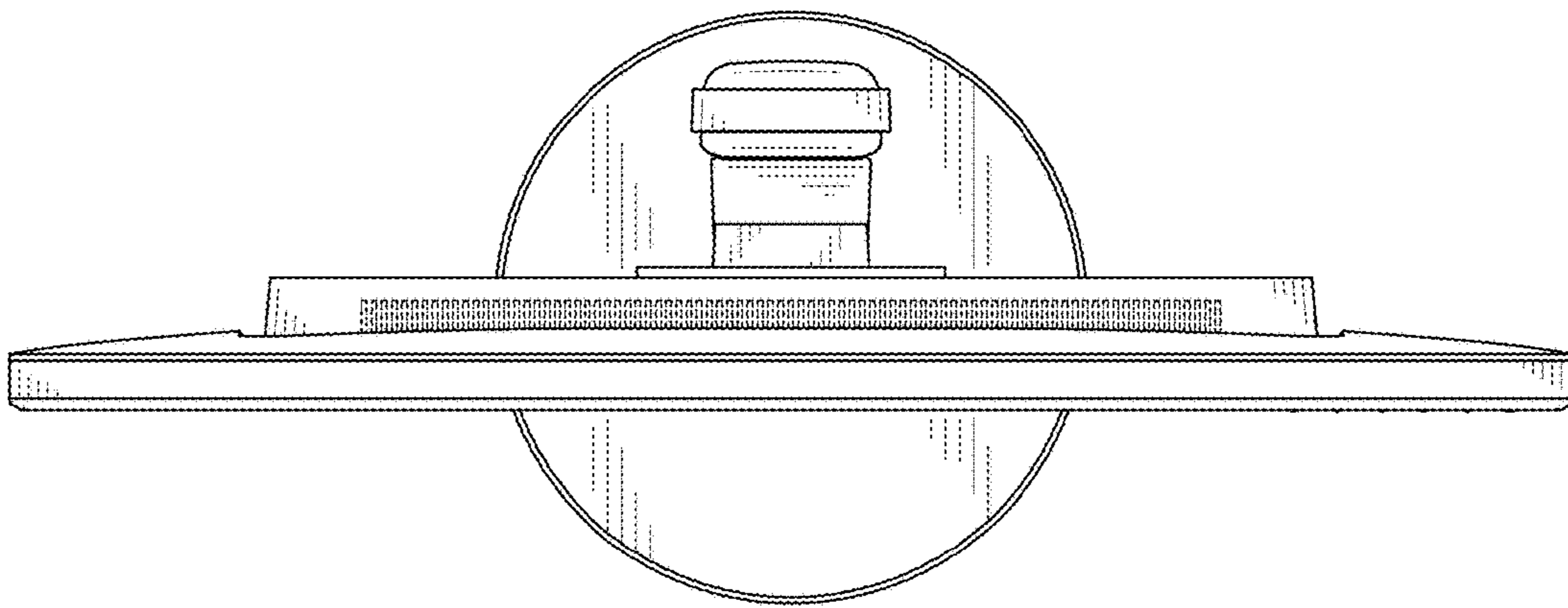


FIG. 6

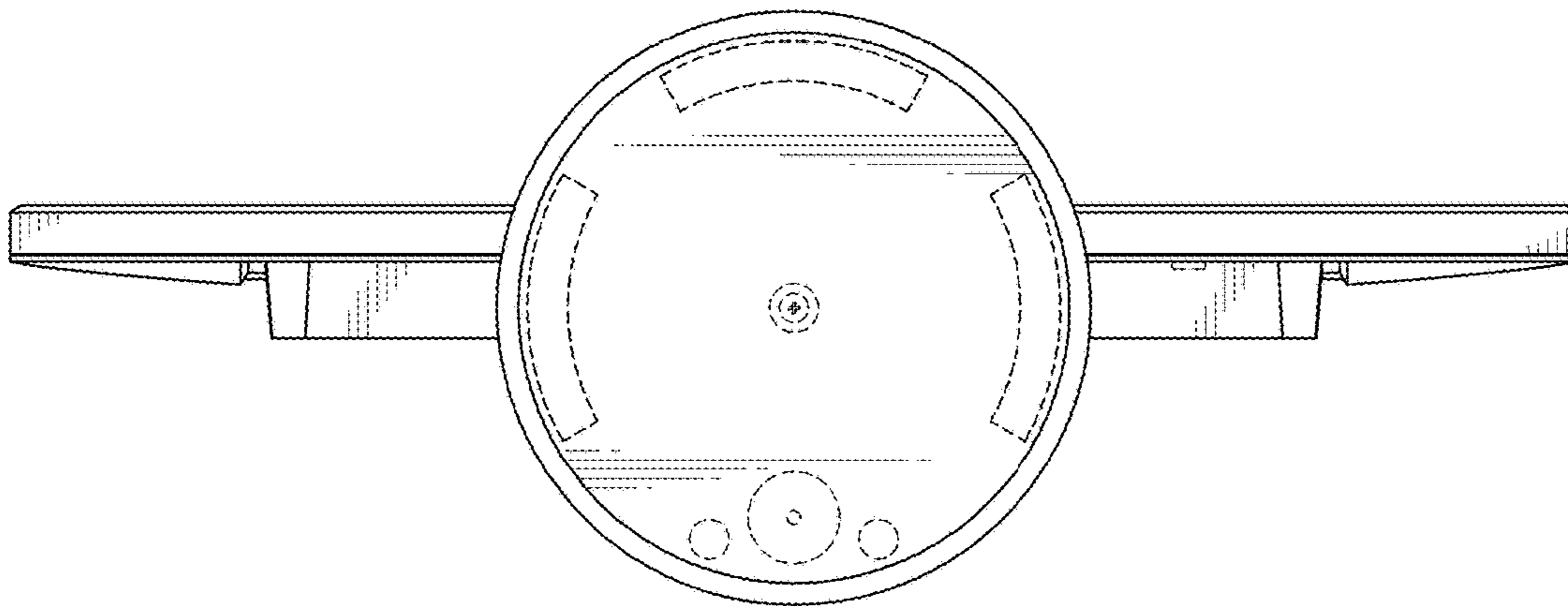


FIG. 7