



US00D806068S

(12) **United States Design Patent**
Liu et al.

(10) **Patent No.:** **US D806,068 S**

(45) **Date of Patent:** **** Dec. 26, 2017**

(54) **ALL IN ONE COMPUTER**

(71) Applicants: **HONGFUJIN PRECISION ELECTRONICS(CHONGQING)CO. LTD**, Chongqing (CN); **HON HAI PRECISION INDUSTRY CO., LTD.**, New Taipei (TW)

(72) Inventors: **Mei-Hua Liu**, Shenzhen (CN); **Chun Liu**, Shenzhen (CN); **Chih-Kang Cho**, New Taipei (TW); **Yao Li**, Shenzhen (CN)

(73) Assignees: **HONGFUJIN PRECISION ELECTRONICS (CHONGQING) CO., LTD.**, Chongqing (CN); **HON HAI PRECISION INDUSTRY CO., LTD.**, New Taipei (TW)

(**) Term: **15 Years**

(21) Appl. No.: **29/549,036**

(22) Filed: **Dec. 18, 2015**

(51) **LOC (10) Cl.** **14-02**

(52) **U.S. Cl.**
USPC **D14/336**

(58) **Field of Classification Search**
USPC D14/336, 341, 371, 373, 374, 375, 376, D14/377, 126, 127, 128, 129
CPC G06F 1/1601; G06F 1/1605; G06F 1/162
See application file for complete search history.

(56) **References Cited**

U.S. PATENT DOCUMENTS

D319,435 S *	8/1991	Brown	D14/336
D540,797 S *	4/2007	Chen	D14/375
D541,278 S *	4/2007	Hsu	D14/336
D556,755 S *	12/2007	Lee	D14/375
D592,621 S *	5/2009	Han	D14/126
D605,193 S *	12/2009	Andre	D14/336
D610,138 S *	2/2010	Andre	D14/336
D647,086 S *	10/2011	Haller	D14/336
D648,336 S *	11/2011	Yagi	D14/374

D694,750 S *	12/2013	Shin	D14/337
D727,893 S *	4/2015	Lee	D14/336
D743,394 S *	11/2015	Chang	D14/375
D763,255 S *	8/2016	Lee	D14/371

FOREIGN PATENT DOCUMENTS

CN 302943705 * 9/2014

OTHER PUBLICATIONS

Amazon. <URL: [* cited by examiner](https://www.amazon.com/ViewSonic-VX2778-SMHD-1440p-Frameless-Monitor/dp/B01GV9H6BE/ref=sr_1_1?s=electronics&ie=UTF8&qid=1500640199&sr=1-1&keywords=ViewSonic+VX2778-SMHD+27+inch+PLS+WQHD+1440p+Frameless+LED+Monitor.> ViewSonic Frameless Monitor. Jul. 11, 2016.*</p></div>
<div data-bbox=)

Primary Examiner — Bridget L. Eland

Assistant Examiner — Lauren McVey

(74) *Attorney, Agent, or Firm* — ScienBiziP, P.C.

(57) **CLAIM**

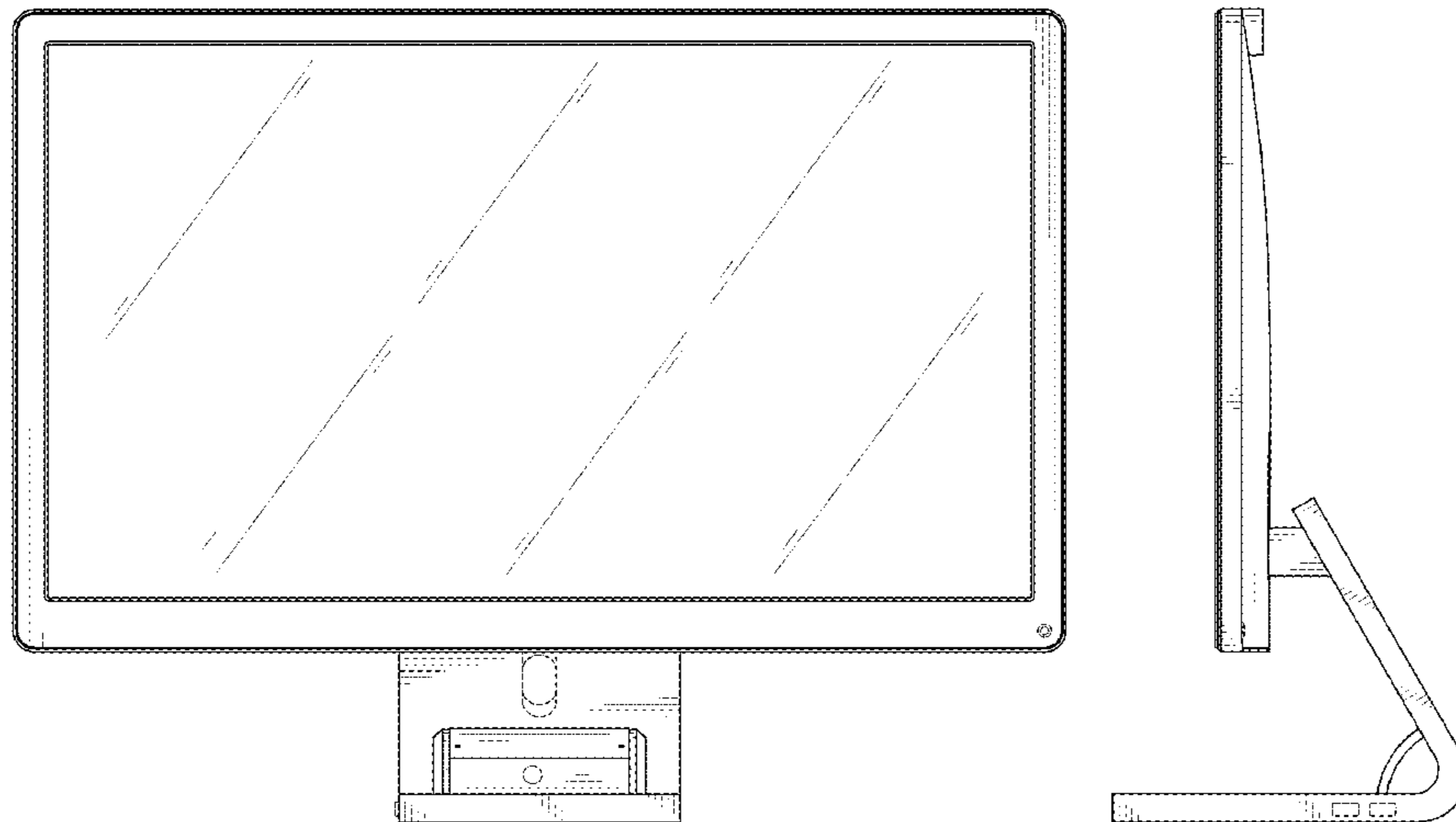
The ornamental design for an all in one computer, as shown and described.

DESCRIPTION

FIG. 1 is a front, perspective view of an all in one computer, showing our new design;
FIG. 2 is a front elevational view thereof;
FIG. 3 is a rear elevational view thereof;
FIG. 4 is a left side elevational view thereof;
FIG. 5 is a right side elevational view thereof;
FIG. 6 is a top plan view thereof; and,
FIG. 7 is a bottom plan view thereof.

The broken lines immediately adjacent the claim represent the bounds of the claimed design, while all other broken lines are directed to environment and are for illustrative purposes only; the broken lines form no part of the claimed design.

1 Claim, 7 Drawing Sheets



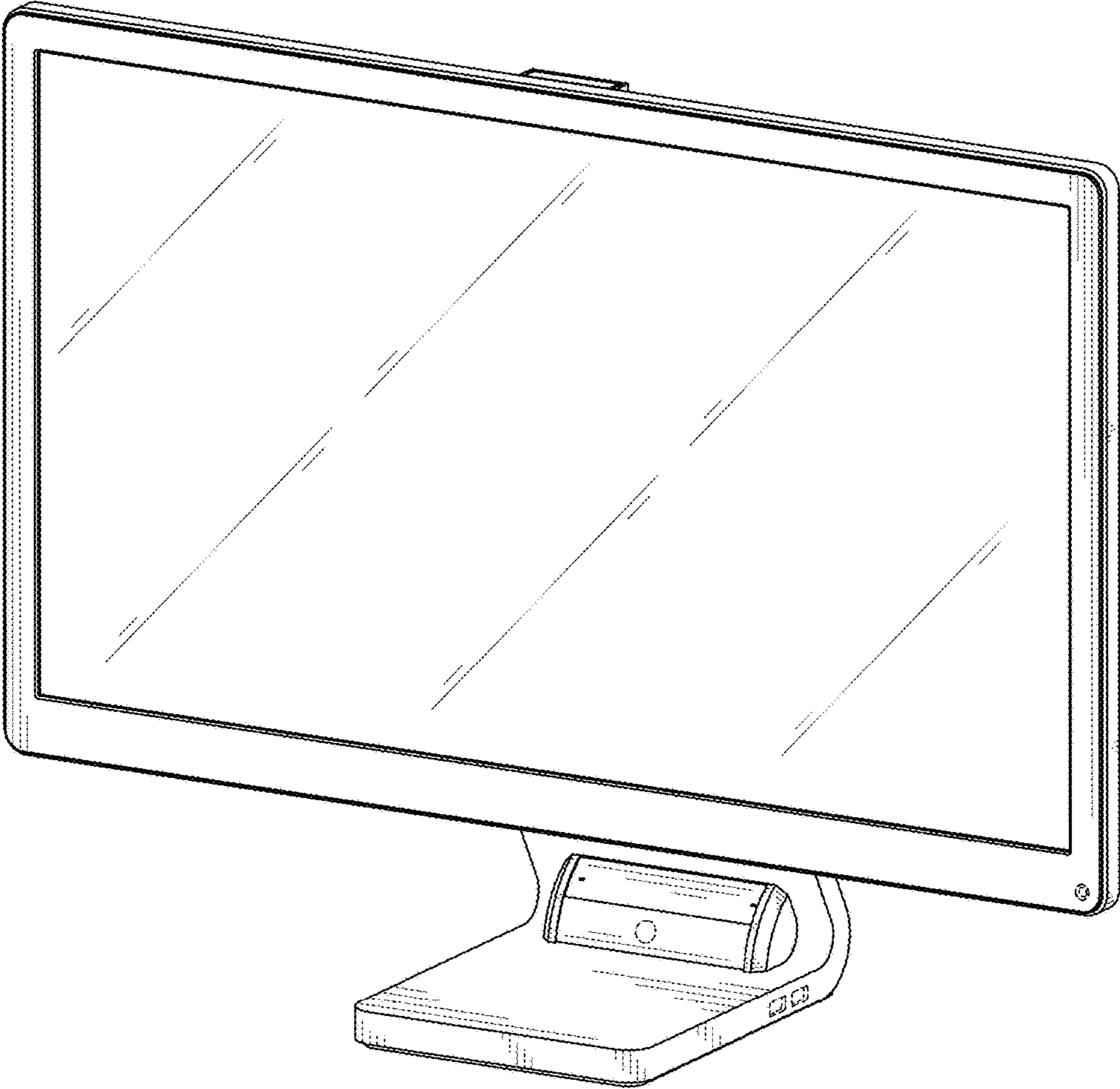


FIG. 1

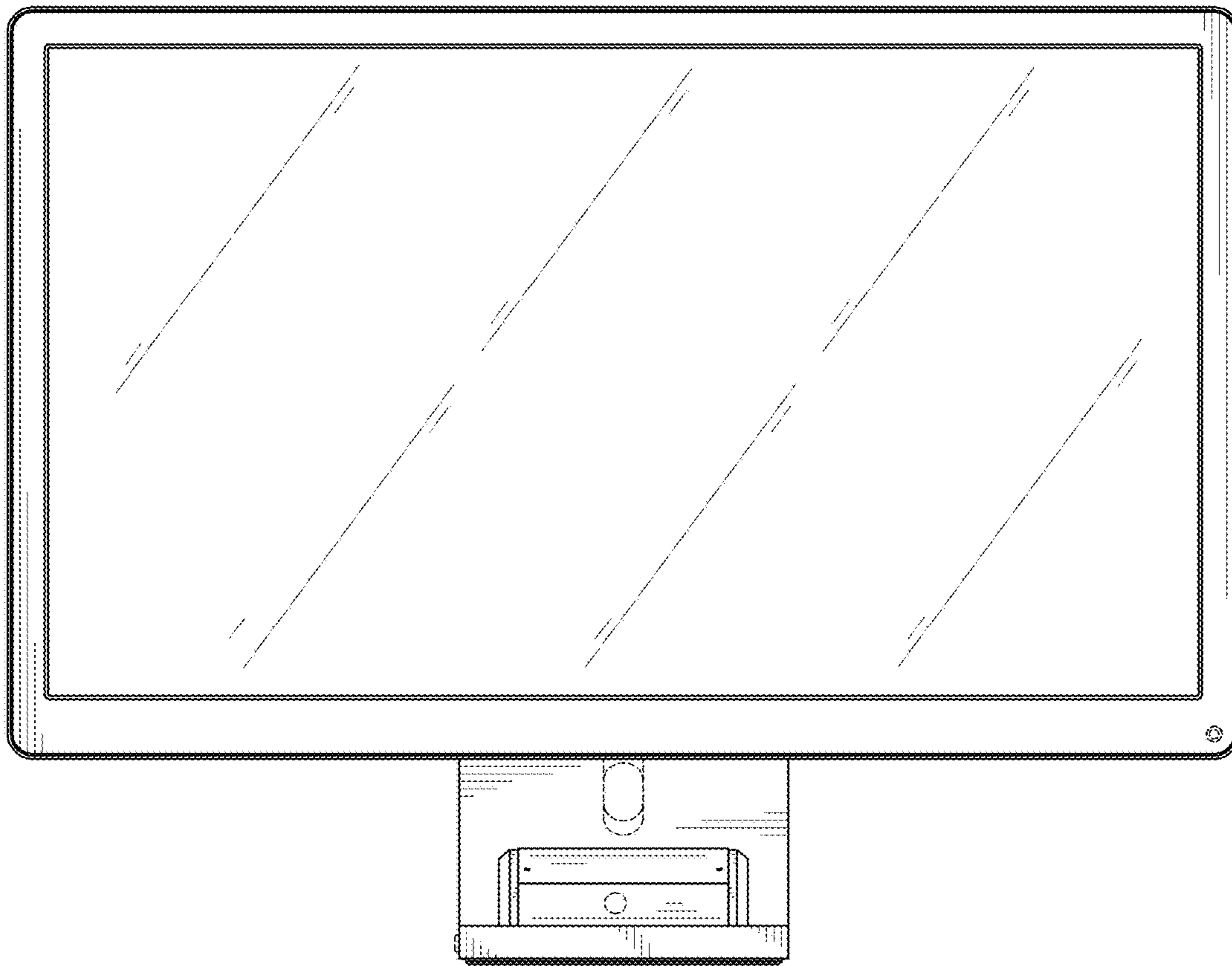


FIG. 2

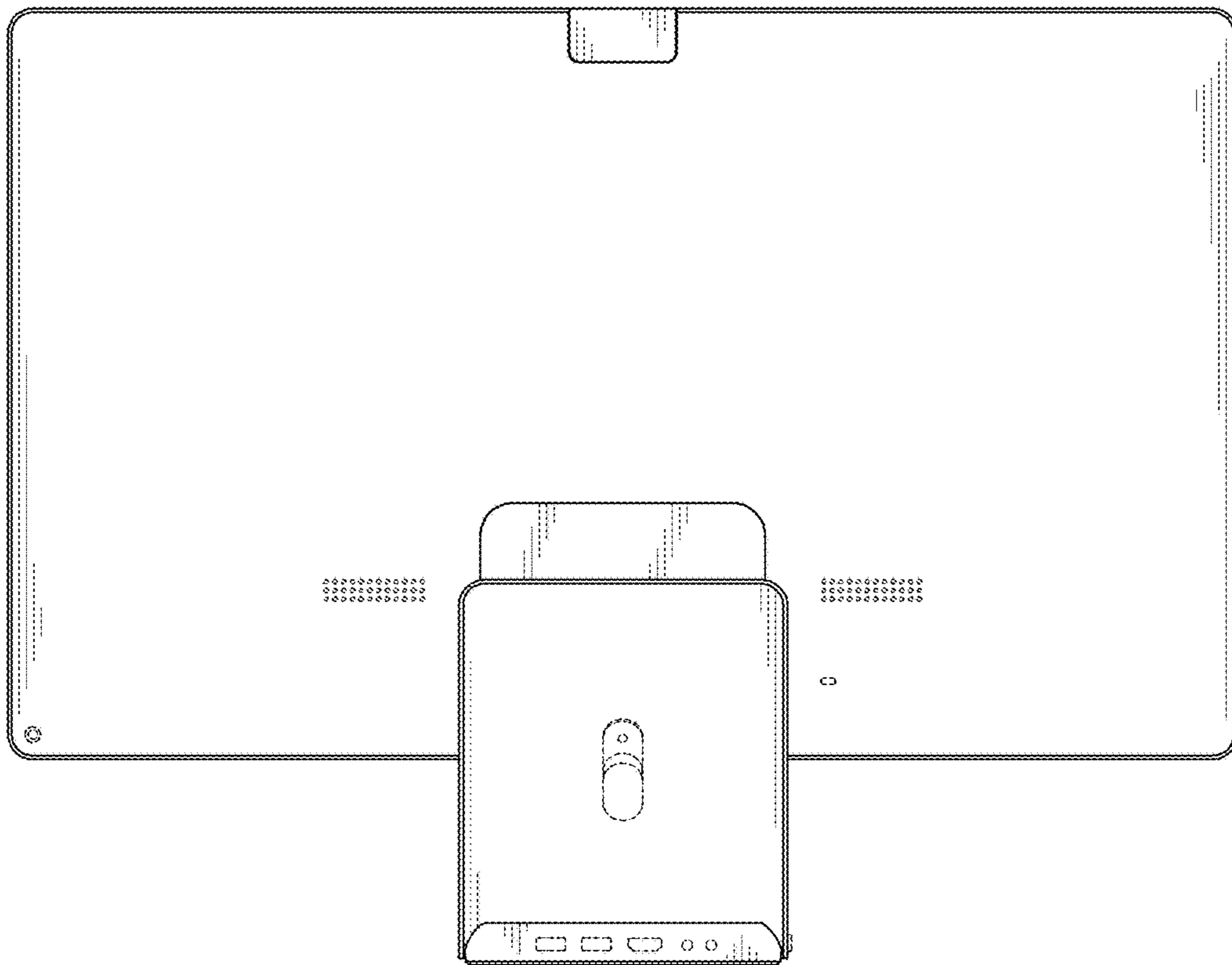


FIG. 3

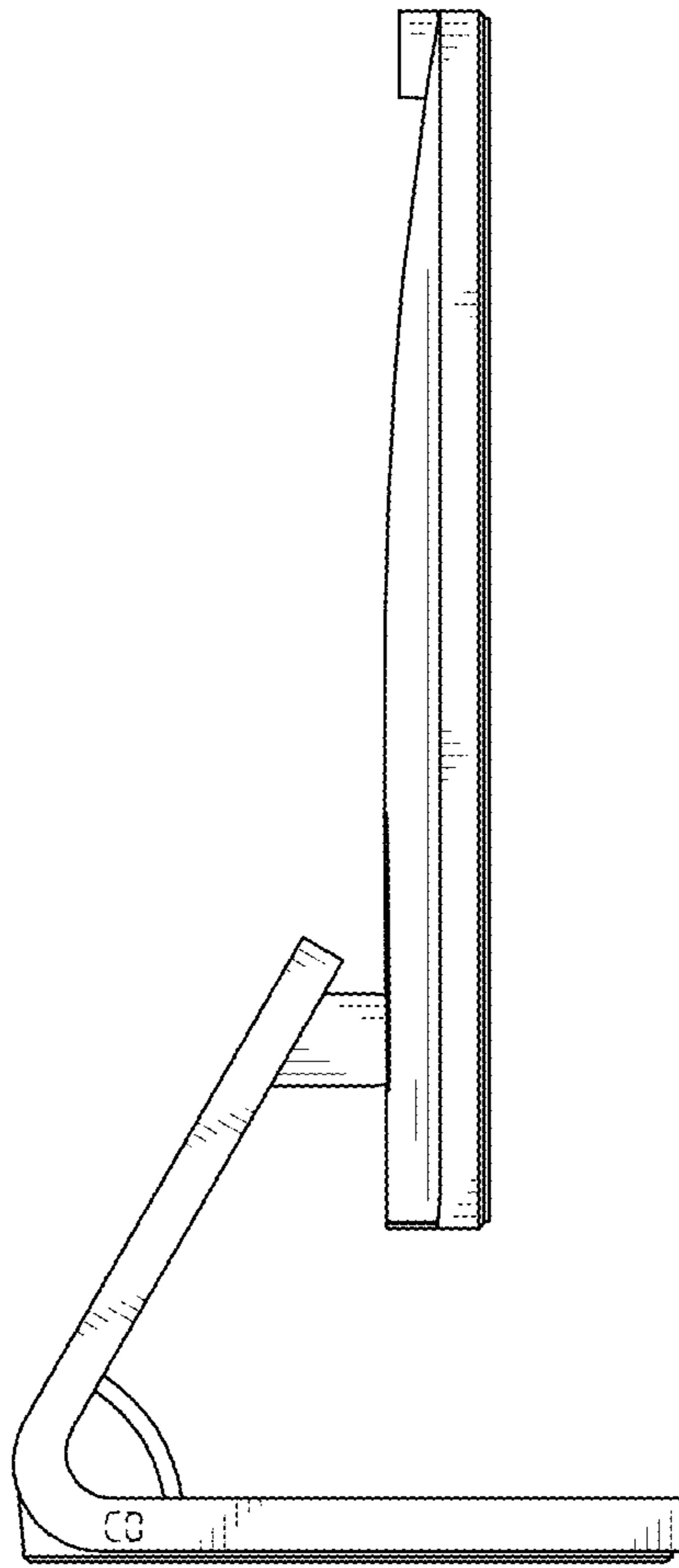


FIG. 4

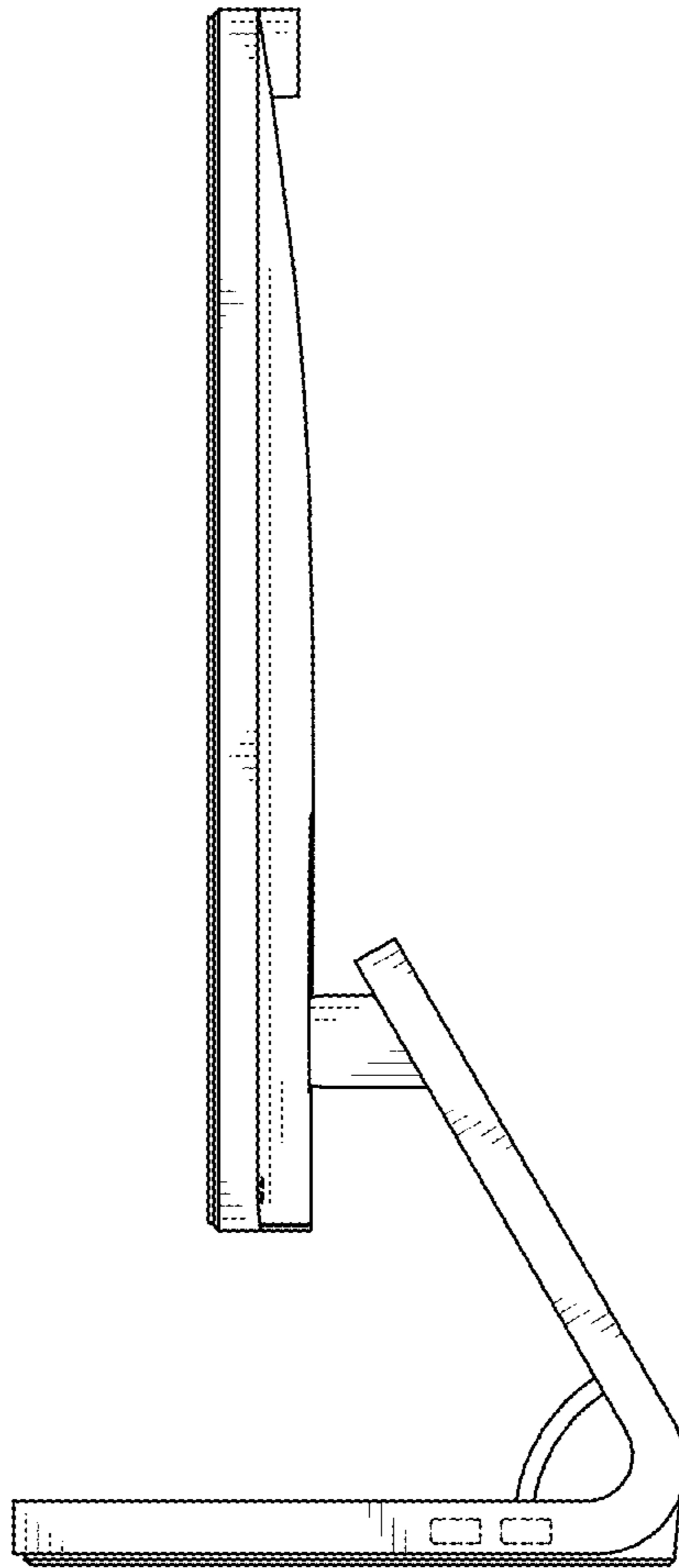


FIG. 5

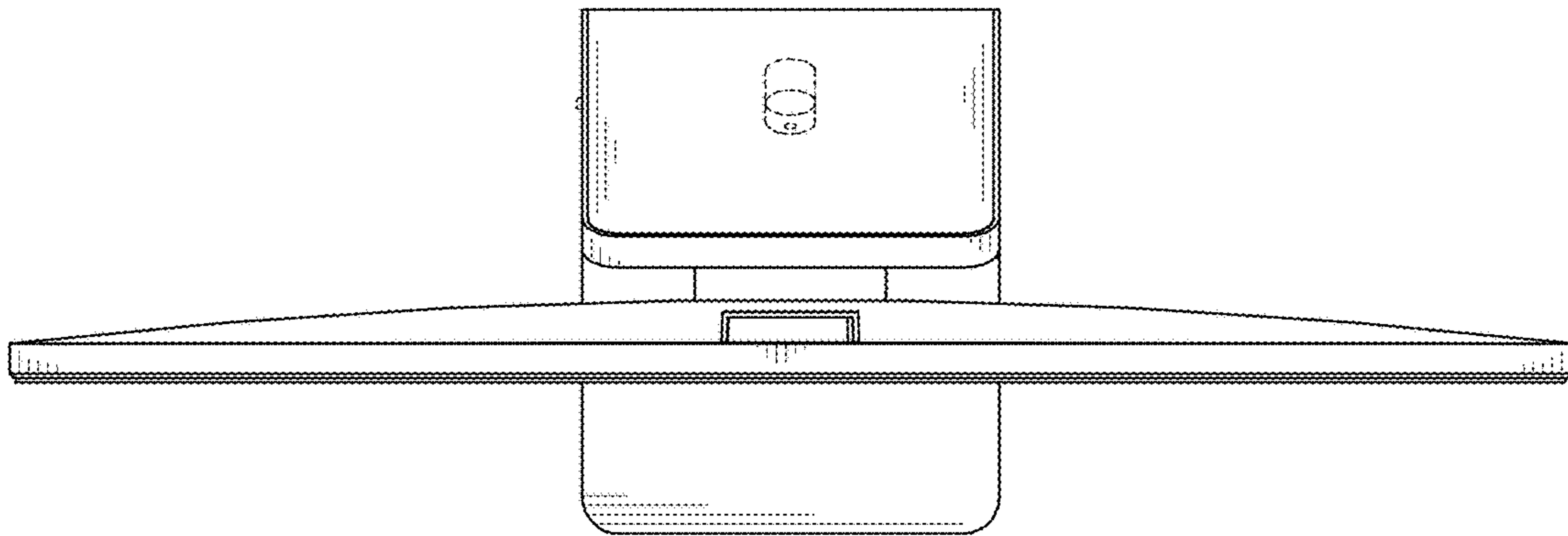


FIG. 6

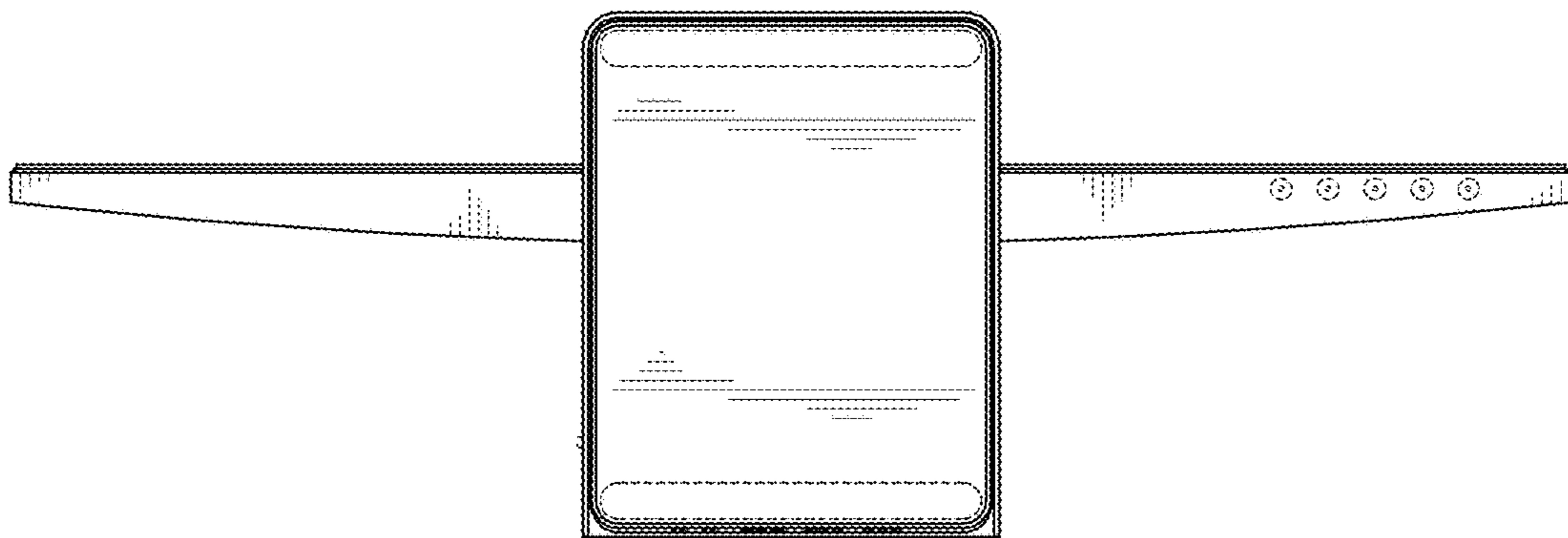


FIG. 7

UNITED STATES PATENT AND TRADEMARK OFFICE
CERTIFICATE OF CORRECTION

PATENT NO. : D806,068 S
APPLICATION NO. : 29/549036
DATED : December 26, 2017
INVENTOR(S) : Mei-Hua Liu et al.

Page 1 of 1

It is certified that error appears in the above-identified patent and that said Letters Patent is hereby corrected as shown below:

On the Title Page

Please replace Item (30) regarding "Foreign Application Priority Data" with the following:

(30) Foreign Application Priority Data

Dec. 11, 2015 (CN)201530521691.5

Signed and Sealed this
Ninth Day of October, 2018



Andrei Iancu
Director of the United States Patent and Trademark Office