

US00D806067S

(12) **United States Design Patent**  
**Cheng et al.**

(10) **Patent No.:** **US D806,067 S**

(45) **Date of Patent:** **\*\* Dec. 26, 2017**

(54) **NOTEBOOK COMPUTER**

(71) Applicants: **Chen-Hsien Cheng**, Taipei (TW);  
**Li-Fang Chen**, Taipei (TW); **Wei-Ning Chai**, Taipei (TW)

(72) Inventors: **Chen-Hsien Cheng**, Taipei (TW);  
**Li-Fang Chen**, Taipei (TW); **Wei-Ning Chai**, Taipei (TW)

(73) Assignee: **COMPAL ELECTRONICS, INC.**,  
Taipei (TW)

(\*\*) Term: **15 Years**

(21) Appl. No.: **29/577,207**

(22) Filed: **Sep. 10, 2016**

(51) **LOC (10) Cl.** ..... **14-02**

(52) **U.S. Cl.**  
USPC ..... **D14/315**

(58) **Field of Classification Search**

USPC ..... D14/315-327; D18/1, 2, 7, 11;  
235/145 A, 145 R; 341/22, 23; 345/104,  
345/156, 168, 169, 173; 361/679.08,  
361/679.09, 679.11, 679.26, 679.27  
CPC ..... G06F 1/16; G06F 1/1616; G06F 1/1626;  
G06F 1/1632; G06F 1/1613; G06F  
1/1601; G06F 1/1618; G06F 1/162; G06F  
1/166; G06F 1/1654; G06F 1/1681; G06F  
1/1637; G06F 1/1688; G06F 1/1656;  
H01R 35/02; H03M 11/00; G09B 13/04;  
H03K 17/94; G09G 5/00; F16M 11/10;  
H05K 5/00; H04M 1/0237

See application file for complete search history.

(56) **References Cited**

**U.S. PATENT DOCUMENTS**

D516,552 S \* 3/2006 Iseki ..... D14/318  
D558,753 S \* 1/2008 Andre ..... D14/315  
D706,768 S \* 6/2014 Kawai ..... D14/318

(Continued)

*Primary Examiner* — Freda S Nunn

(74) *Attorney, Agent, or Firm* — JCIPRNET

(57) **CLAIM**

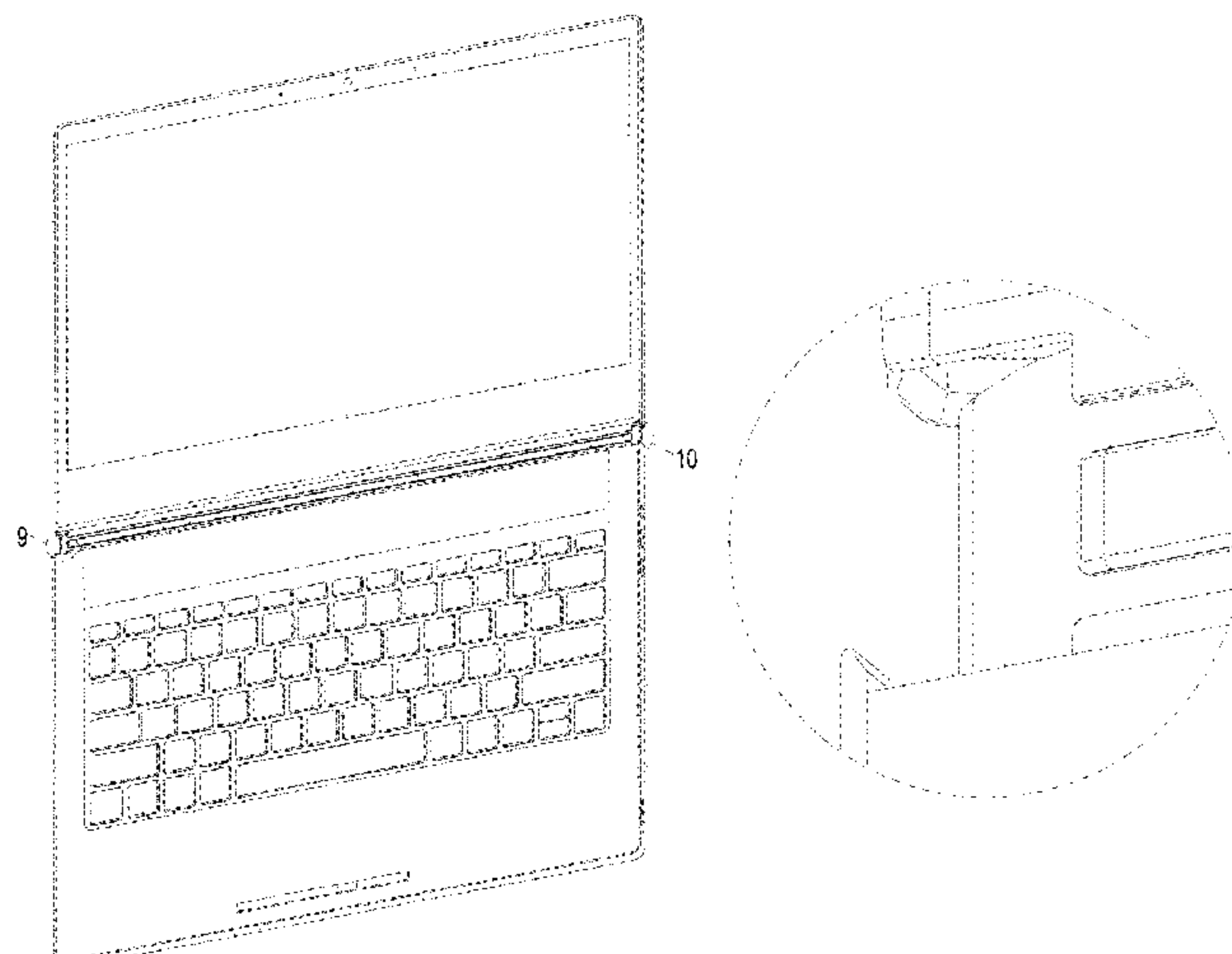
The ornamental design for a notebook computer, as shown and described.

**DESCRIPTION**

FIG. 1 is a perspective view of a notebook computer showing our new design;  
FIG. 2 is another perspective view thereof;  
FIG. 3 is a front view thereof;  
FIG. 4 is a rear view thereof;  
FIG. 5 is a left side view thereof;  
FIG. 6 is a right side view thereof;  
FIG. 7 is a top view thereof;  
FIG. 8 is a bottom view thereof;  
FIG. 9 is an enlarged view of the left circled portion so indicated in FIG. 1 thereof;  
FIG. 10 is an enlarged view of the right circled portion so indicated in FIG. 1 thereof;  
FIG. 11 is an enlarged view of the left circled portion so indicated in FIG. 2 thereof;  
FIG. 12 is an enlarged view of the right circled portion so indicated in FIG. 2 thereof;  
FIG. 13 is an enlarged view of the left circled portion so indicated in FIG. 3 thereof;  
FIG. 14 is an enlarged view of the right circled portion so indicated in FIG. 3 thereof;  
FIG. 15 is an enlarged view of the circled portion so indicated in FIG. 5 thereof; and,  
FIG. 16 is an enlarged view of the circled portion so indicated in FIG. 6 thereof.

The dot-dashed broken lines represent a boundary of the claimed design and form no part of the claimed design. The dashed broken line showing of portions of the notebook computer is for the purpose of illustrating unclaimed portions of the notebook computer and forms no part of the claimed design.

**1 Claim, 14 Drawing Sheets**



(56)

**References Cited**

U.S. PATENT DOCUMENTS

D731,475 S \* 6/2015 Mehandjiysky ..... G06F 3/0213  
D14/315  
9,218,024 B2 \* 12/2015 Gengler ..... G06F 1/1632  
D755,781 S \* 5/2016 Schoenith ..... D14/315  
D757,012 S \* 5/2016 Shi ..... D14/434  
2012/0057288 A1 \* 3/2012 Chou ..... G06F 1/1628  
361/679.09  
2013/0279096 A1 \* 10/2013 Gengler ..... H05K 7/00  
361/679.01

\* cited by examiner

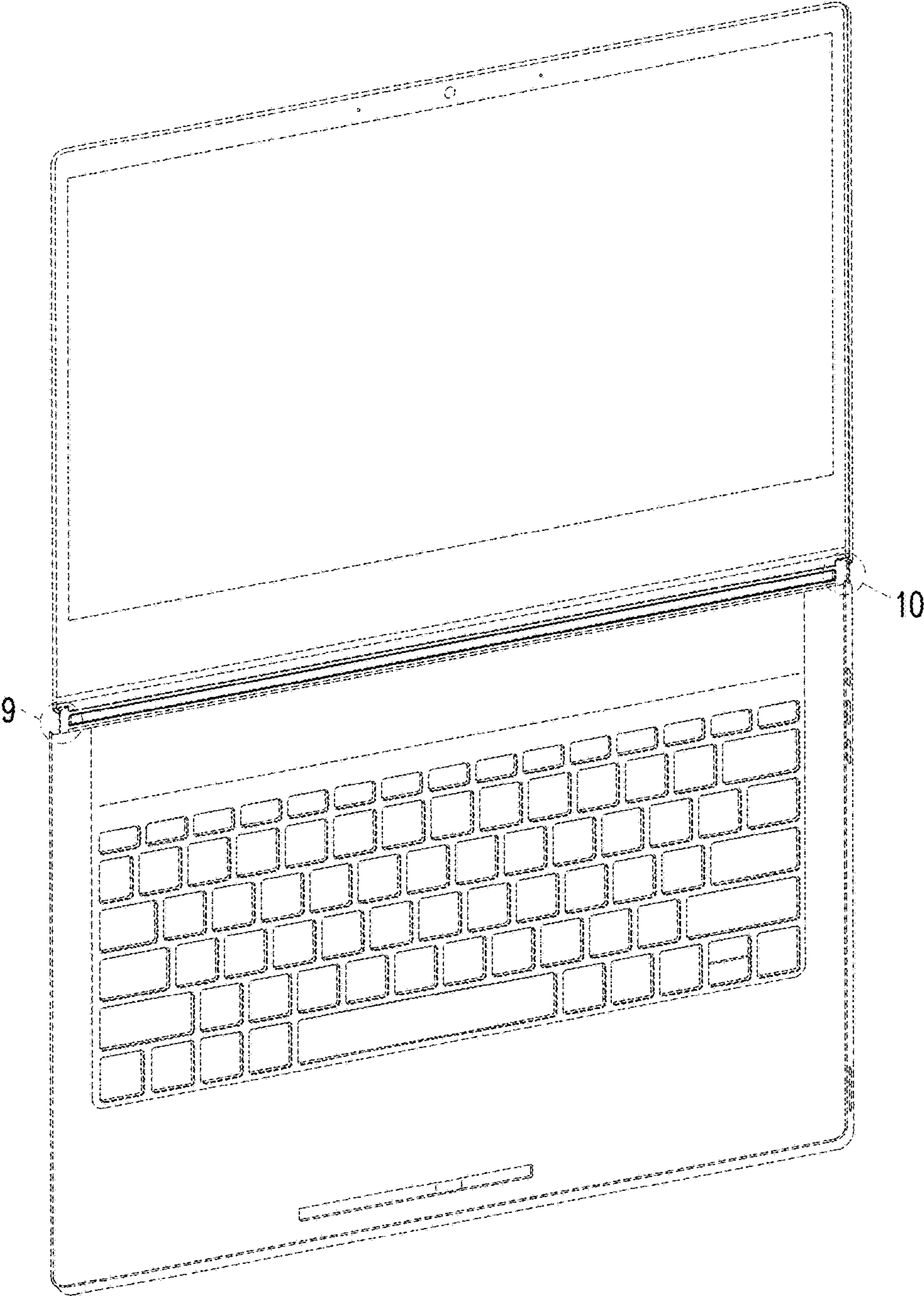


FIG. 1

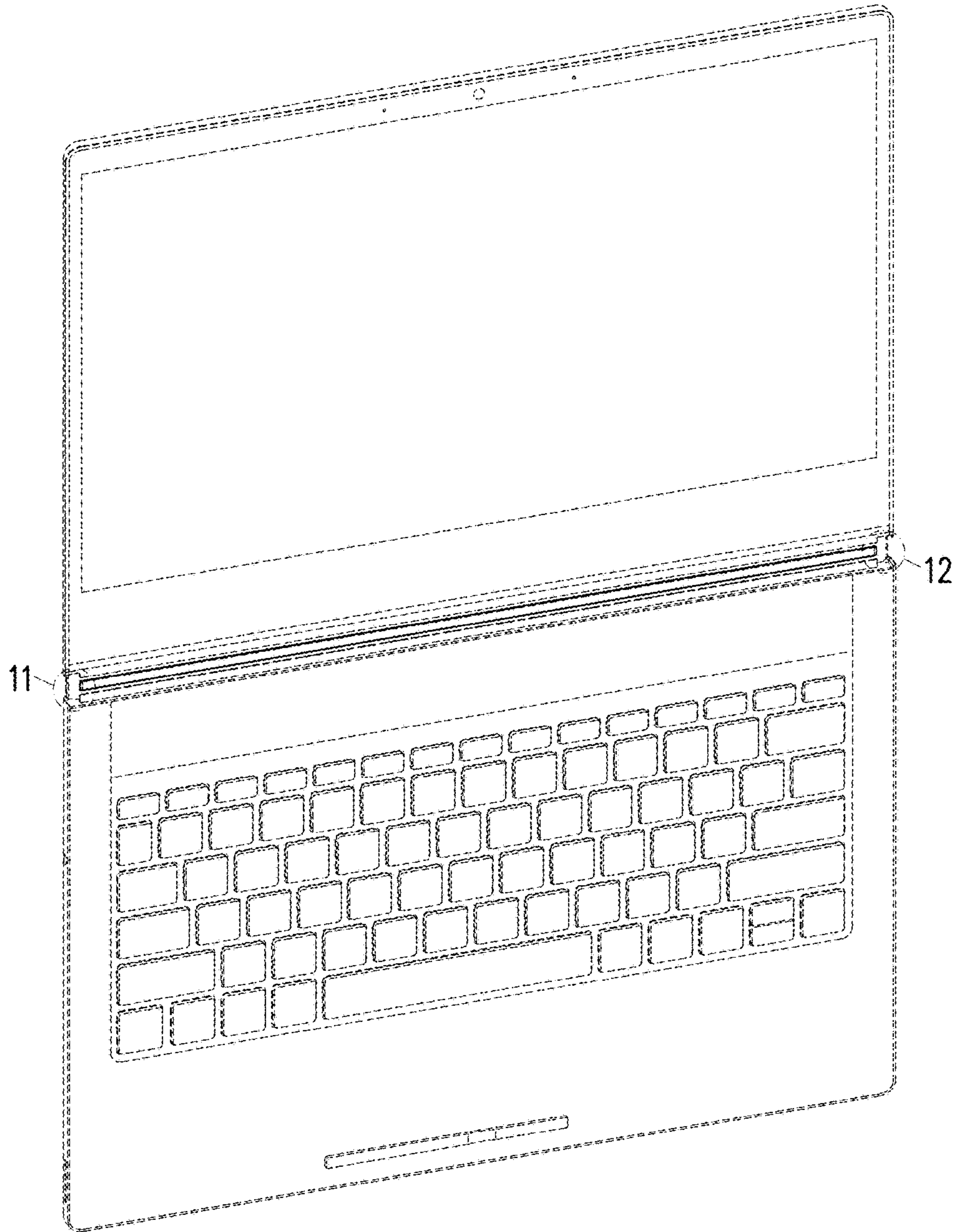


FIG. 2



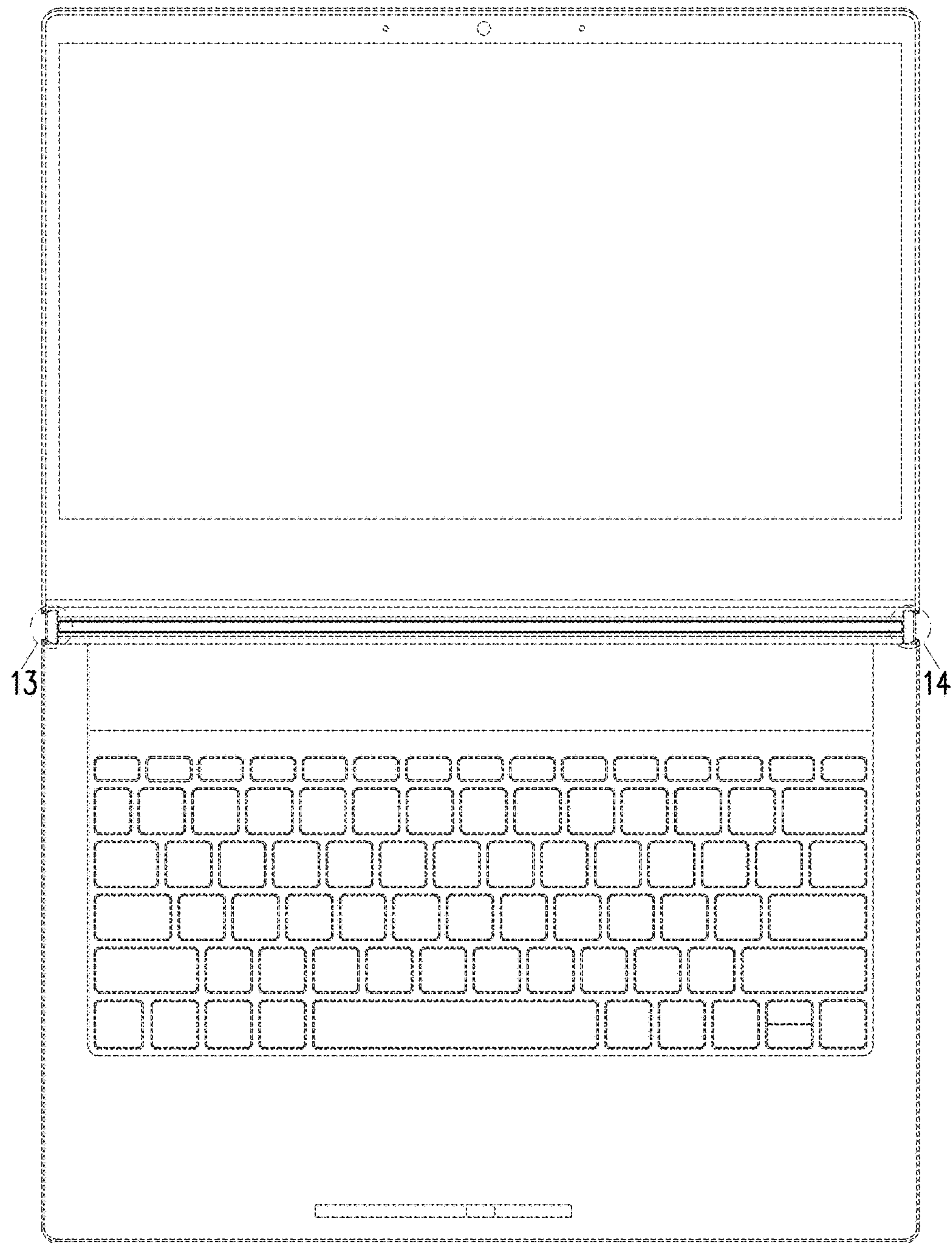


FIG. 3

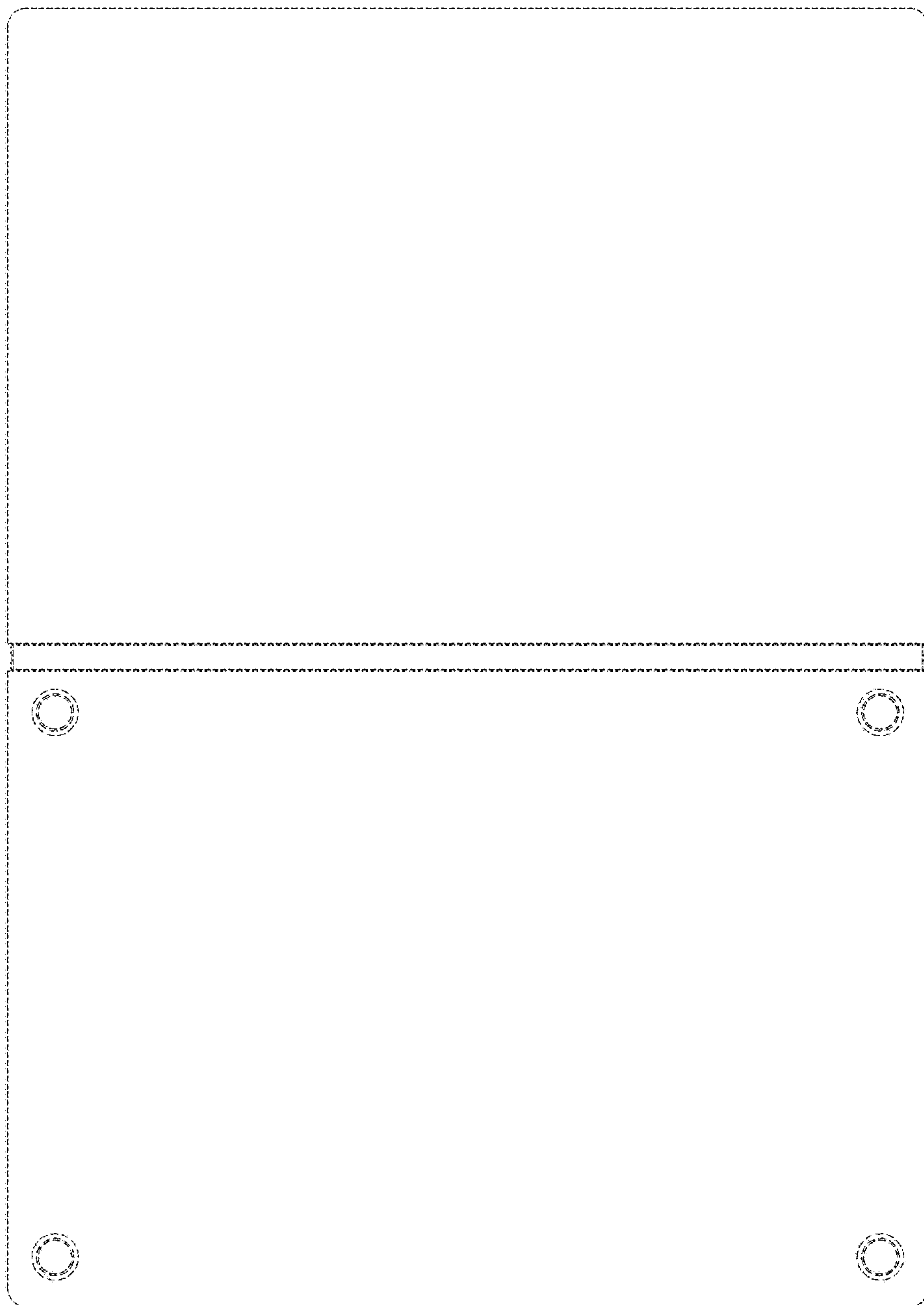


FIG. 4

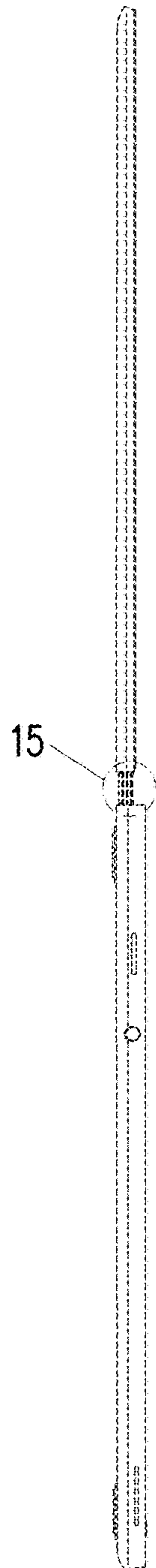


FIG. 5

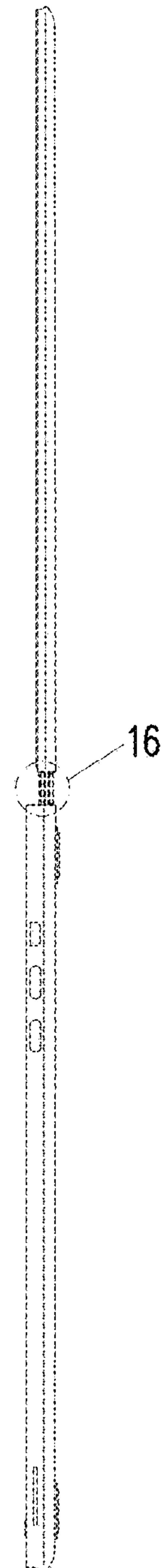


FIG. 6

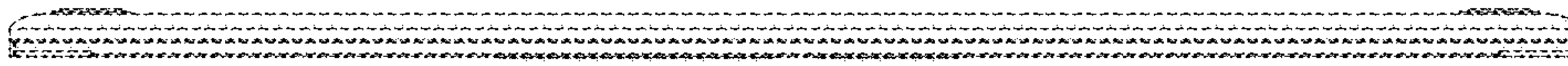


FIG. 7

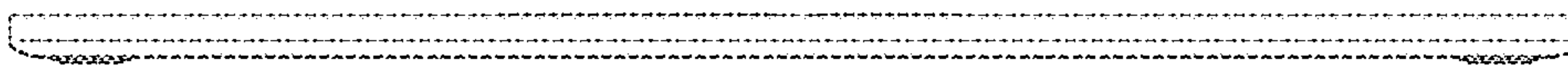


FIG. 8



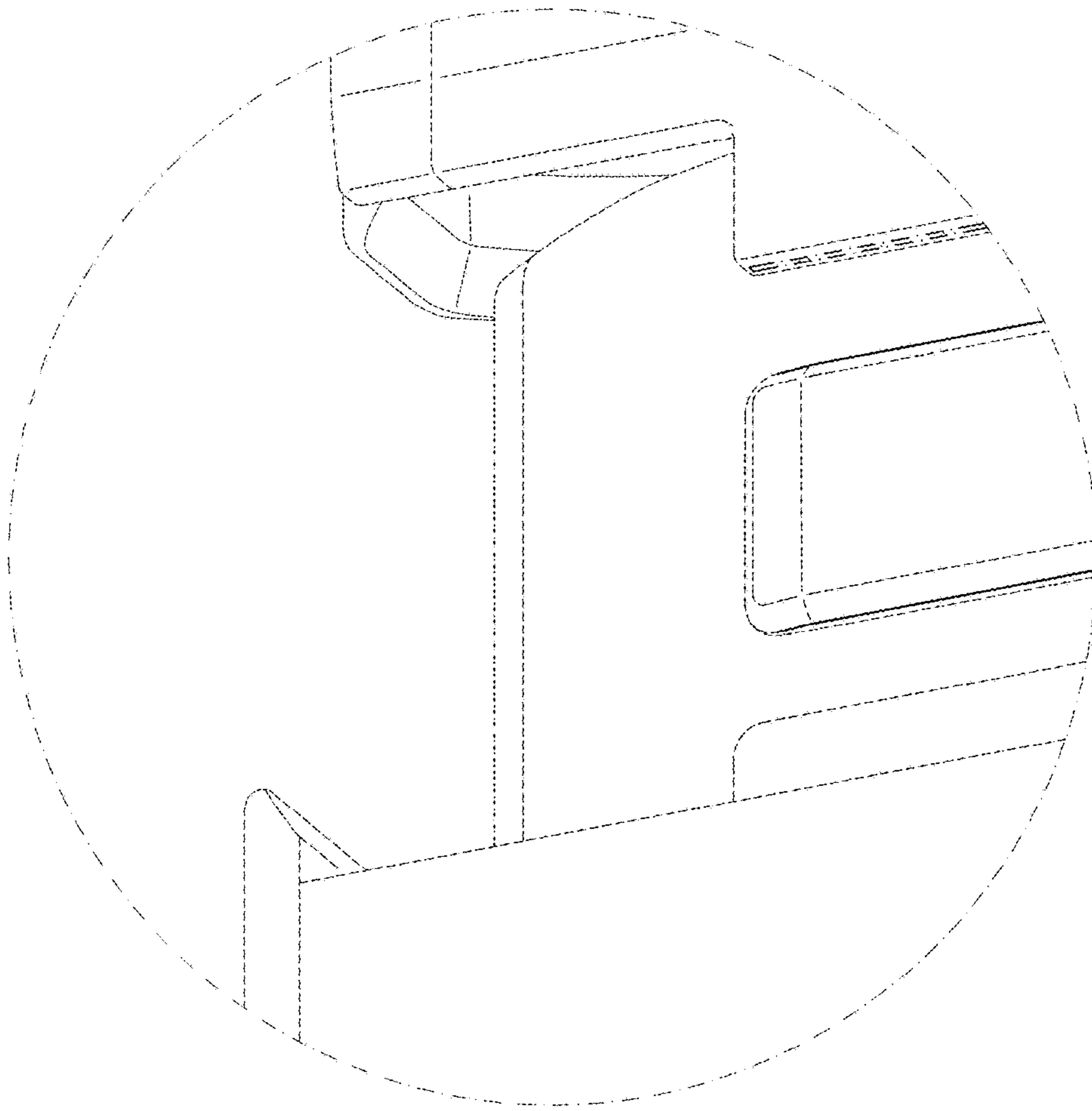


FIG. 9

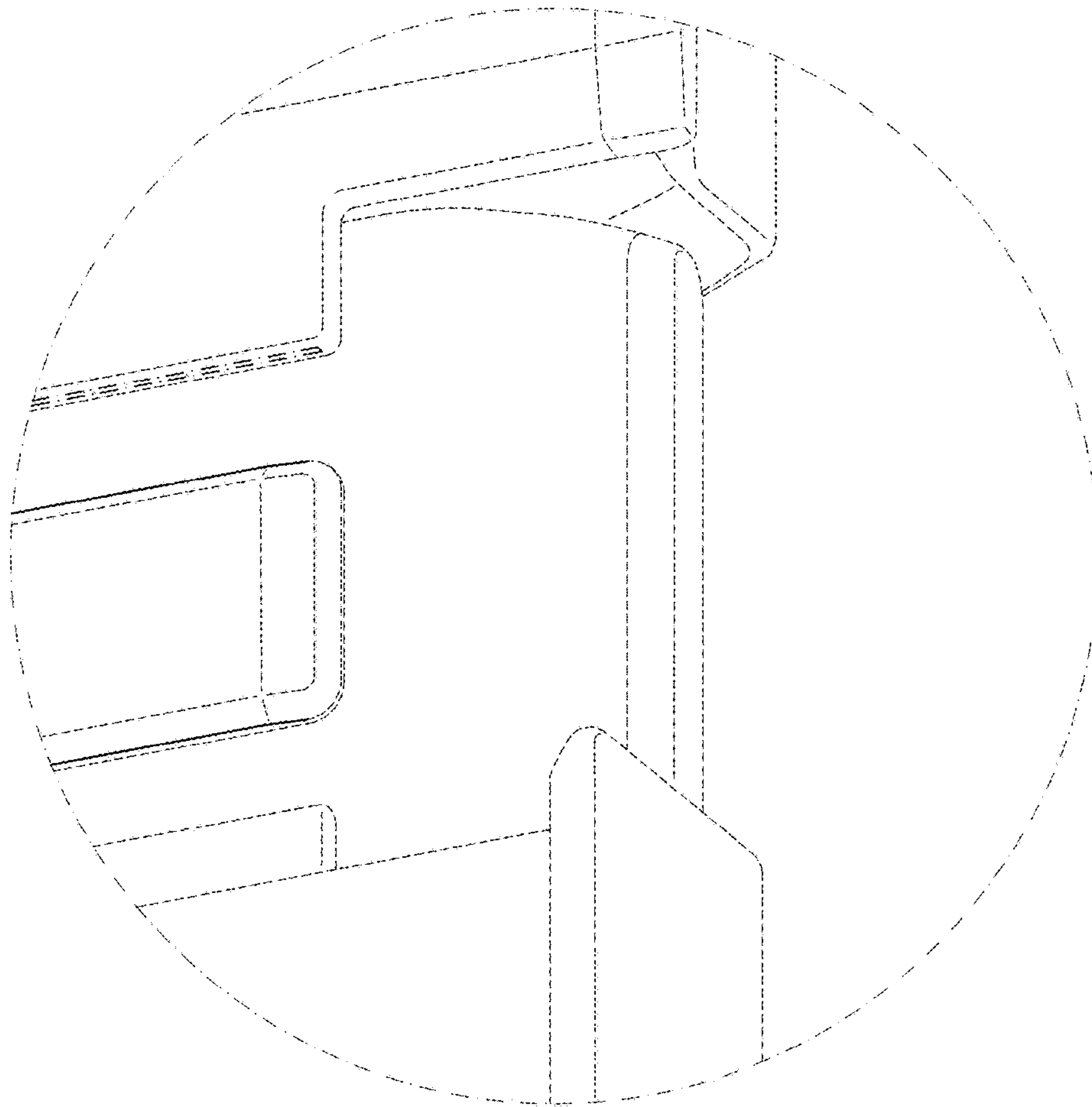


FIG. 10

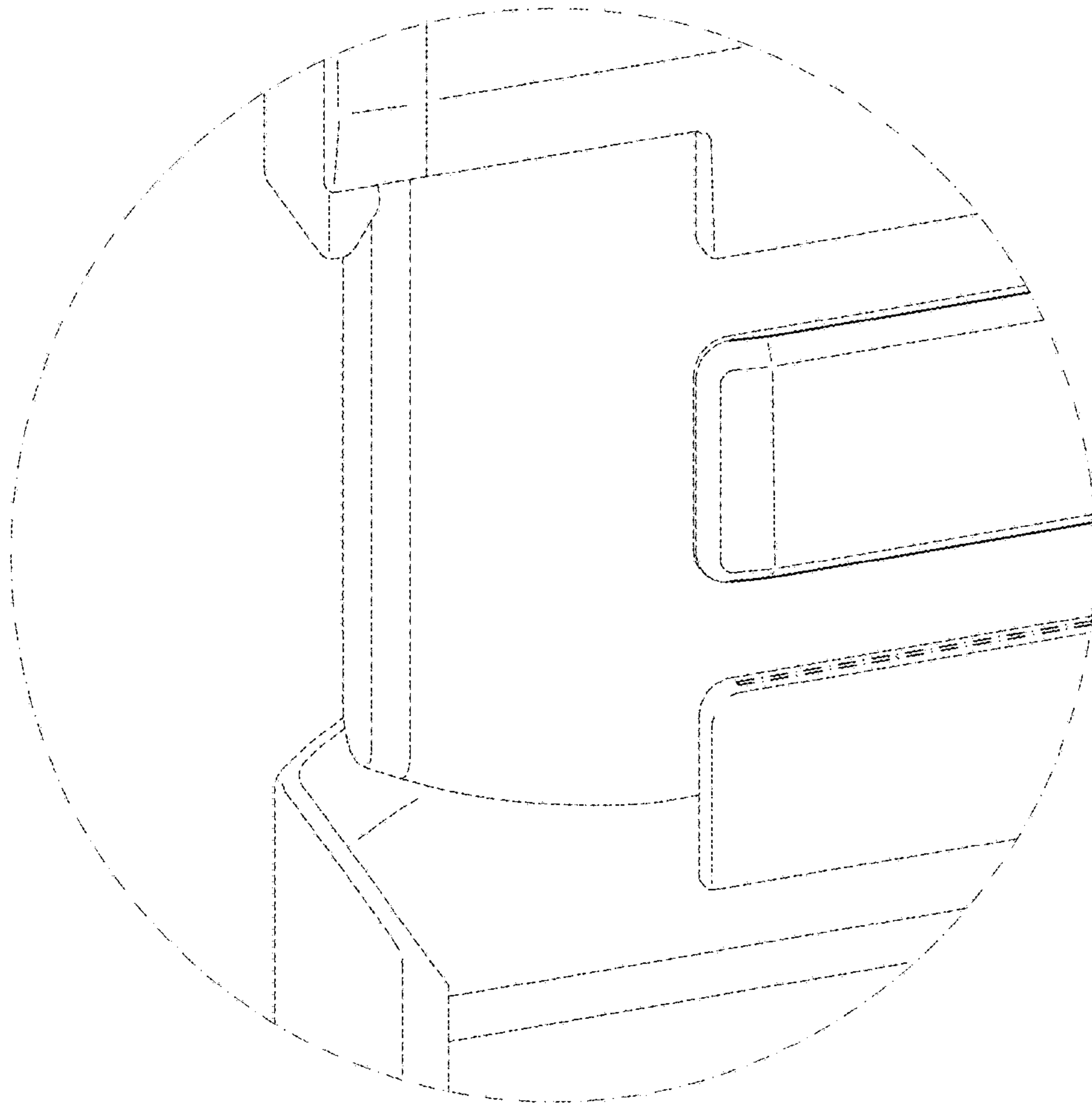


FIG. 11

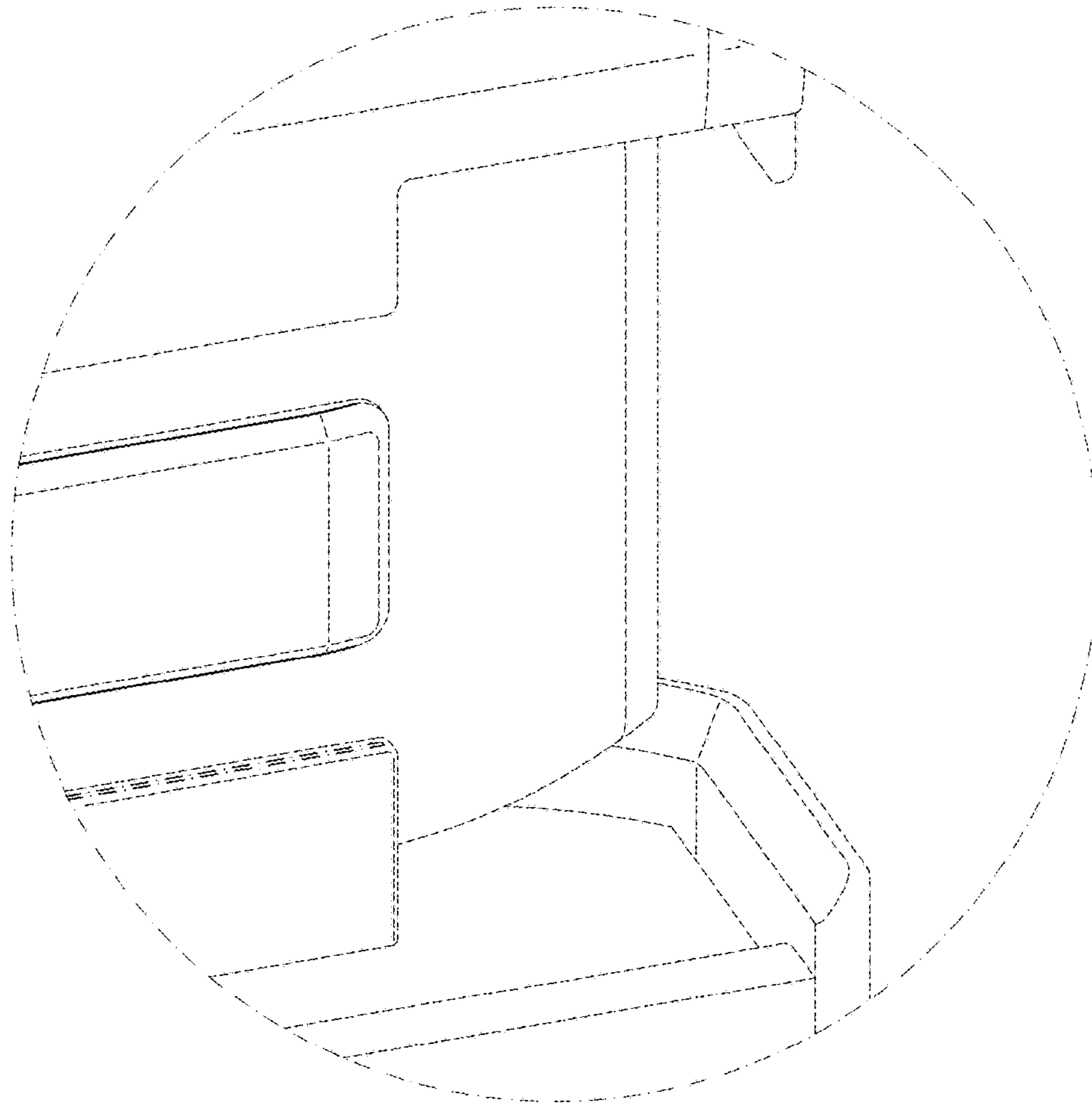


FIG. 12

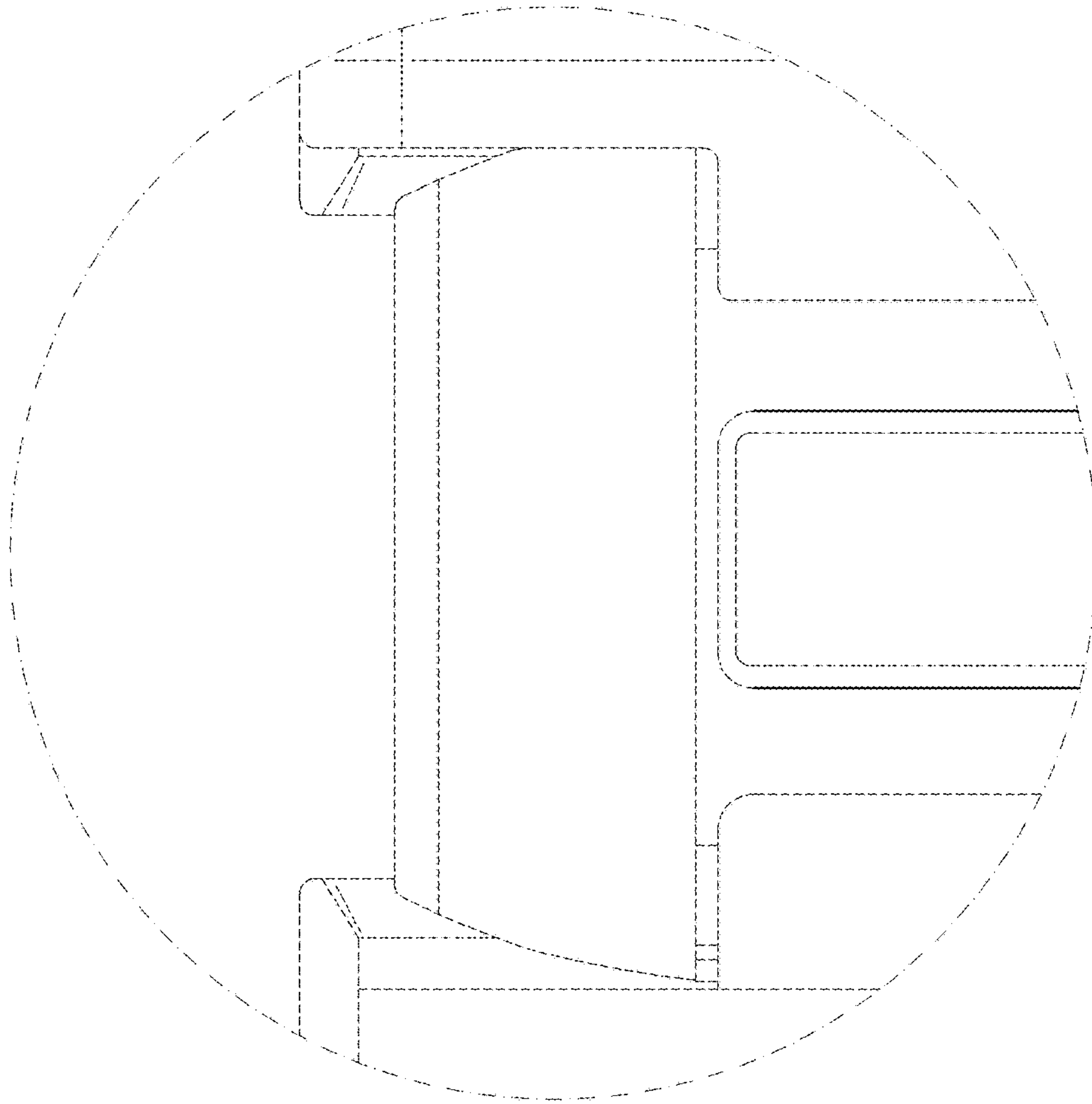


FIG. 13



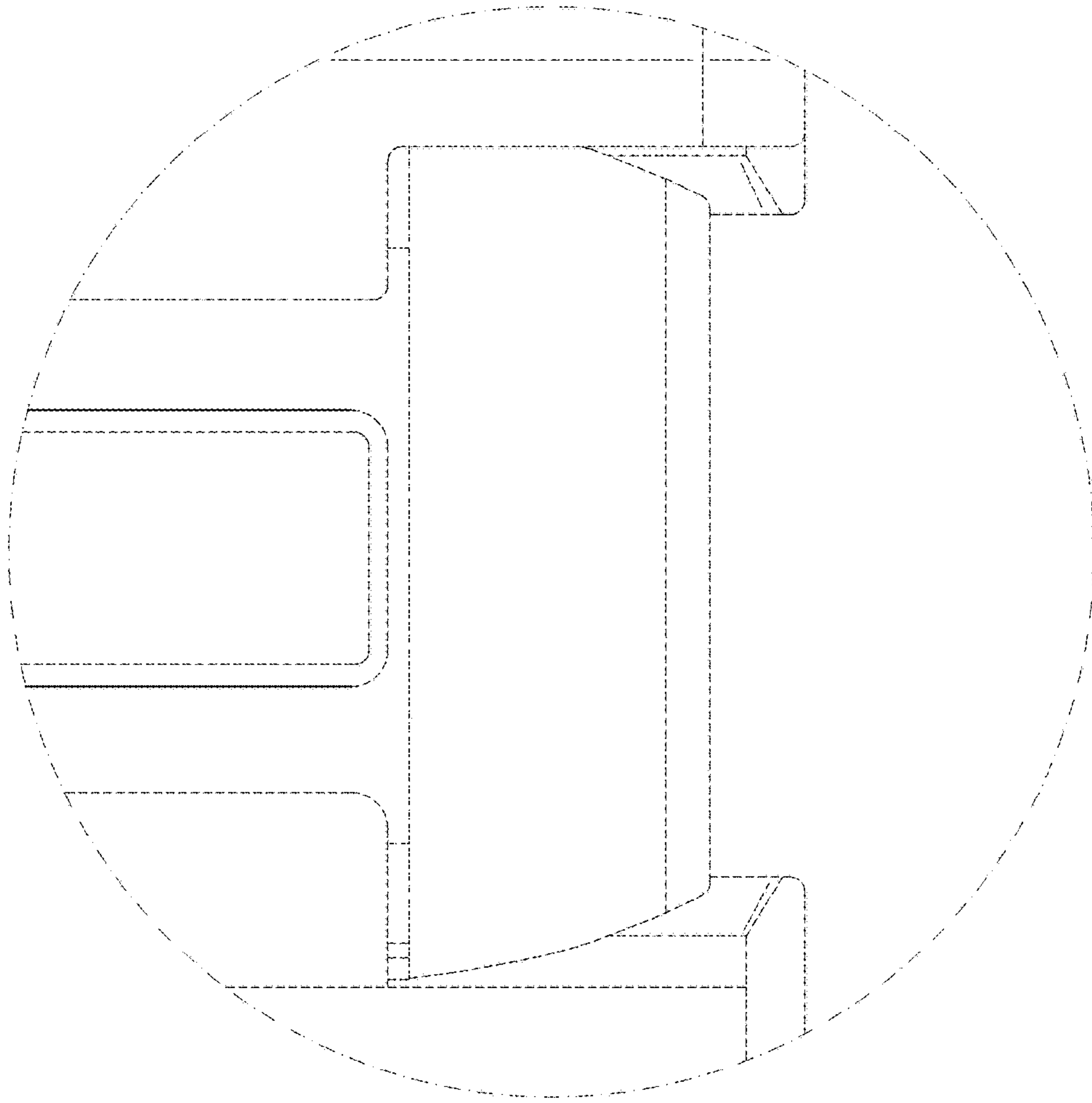


FIG. 14

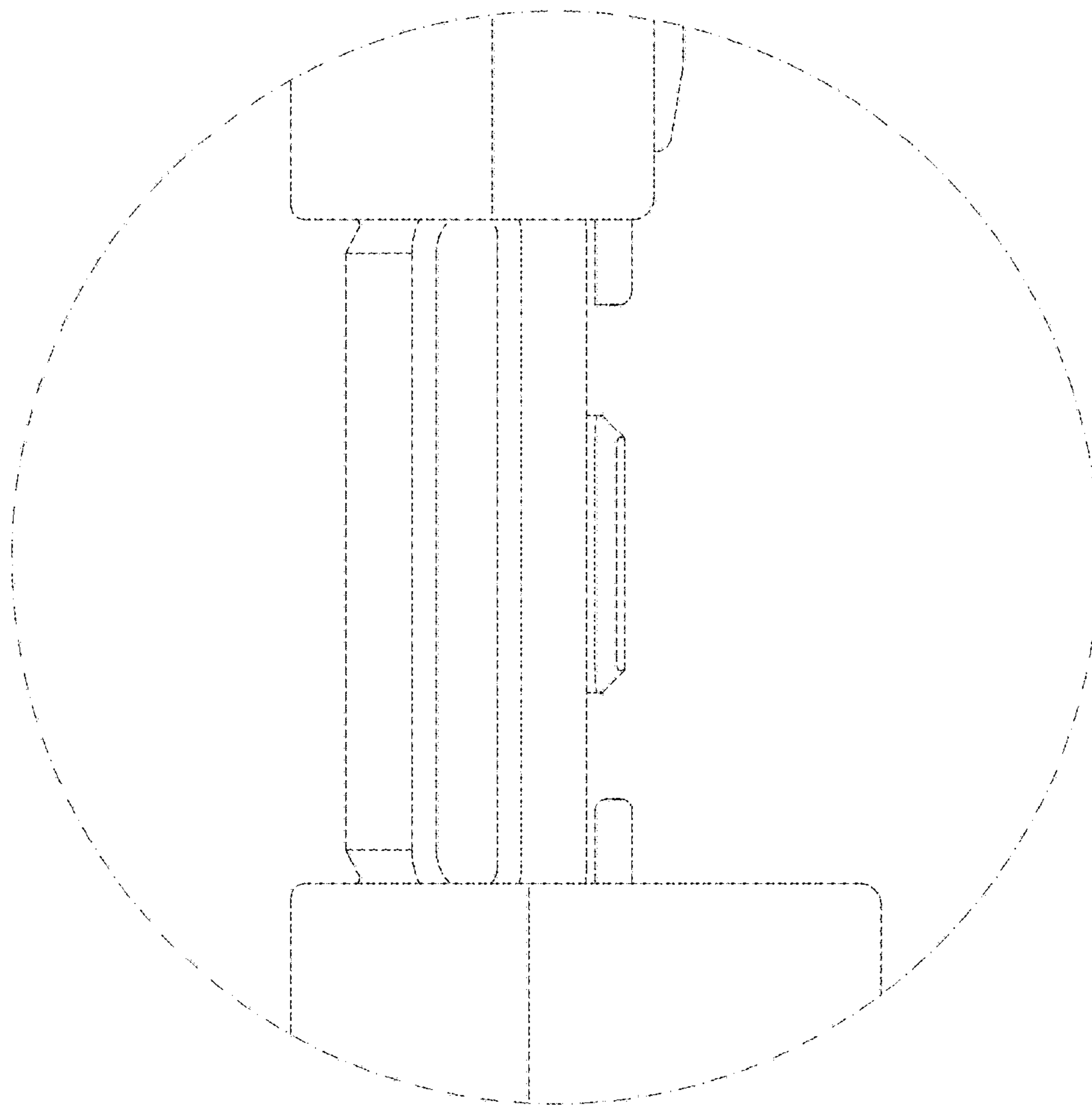


FIG. 15

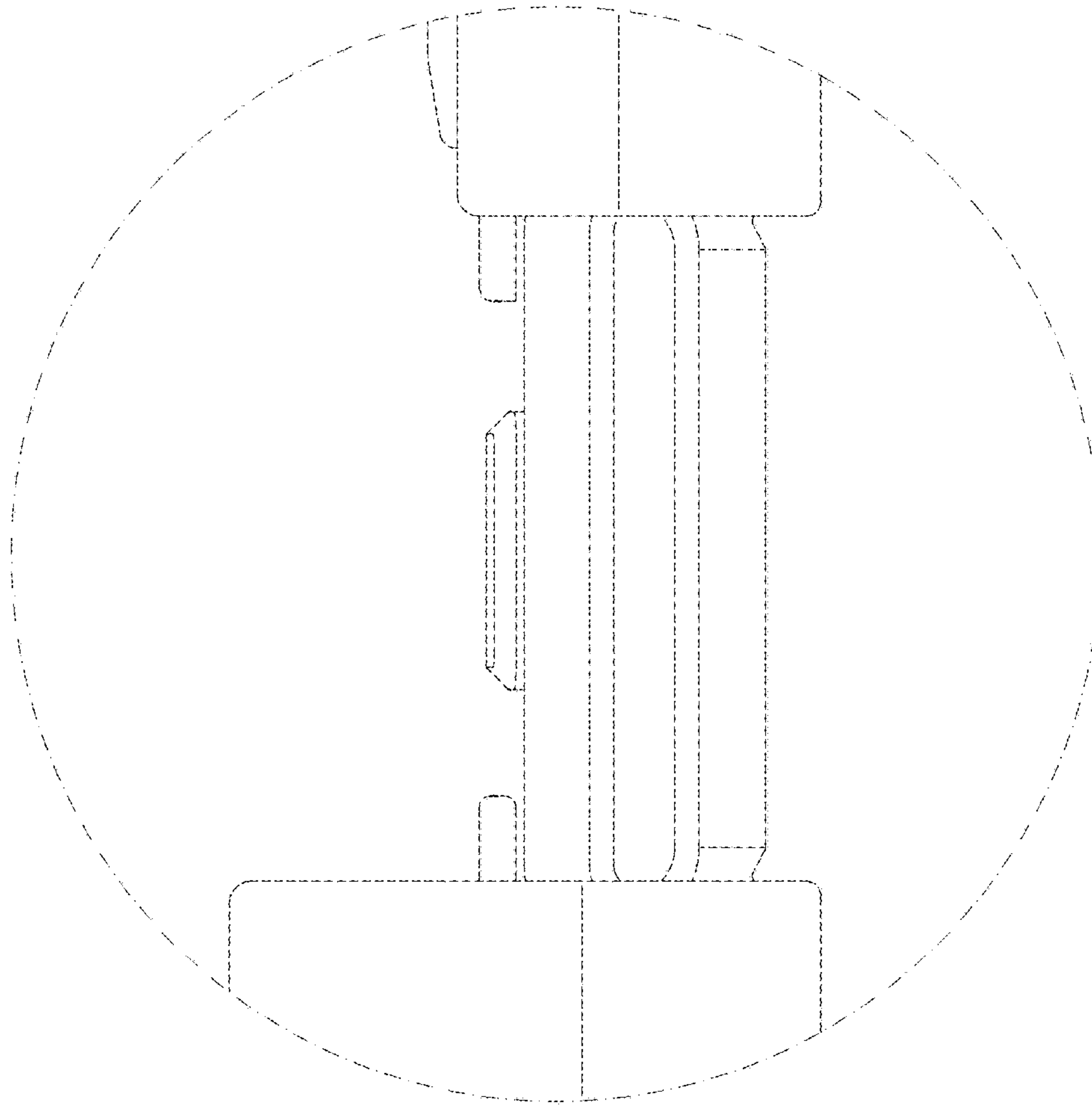


FIG. 16