



US00D806064S

(12) **United States Design Patent** (10) **Patent No.:** **US D806,064 S**
Lee (45) **Date of Patent:** **** Dec. 26, 2017**

(54) **MOBILE DEVICE HOLDER**

(71) Applicant: **Tone Layout LLC**, East Rutherford, NJ (US)

(72) Inventor: **Jong Hyuk Lee**, East Rutherford, NJ (US)

(73) Assignee: **Tone Layout LLC**, East Rutherford, NJ (US)

(**) Term: **15 Years**

(21) Appl. No.: **29/552,478**

(22) Filed: **Jan. 22, 2016**

(51) **LOC (10) Cl.** **14-03**

(52) **U.S. Cl.**
USPC **D14/253**

(58) **Field of Classification Search**
USPC D14/253, 251, 252, 447, 451, 452, 440, D14/434, 458, 432, 439, 457, 460, 238.1, D14/140, 142, 149, 217, 148, 140.8, D14/140.11, 209.1, 151, 140.9, 250, 238; D13/107, 108; D12/415, 223, 114, 420, D12/417, 407, 177; D3/218; D16/242-245, 250, 237, 203, 214, 219; D6/675, 672, 673, 675.4, 553, 676, 310, D6/406.3, 406.4, 406.5, 406.6, 407, 567, D6/300, 682.3; 248/459, 460; 224/483
CPC B60R 2011/0008; B60R 11/02; B60R 11/0241; B60R 11/0258; B60R 11/0252; B60R 2011/0294; F16M 11/00; F16M 11/04; F16M 11/041; F16M 11/02; F16M 11/06; F16M 13/00; H04M 1/02; H04M 1/04; H04M 1/11; H04M 1/12; A47F 7/022; B62J 11/00; H05K 7/00; G03B 17/56

See application file for complete search history.

(56) **References Cited**

U.S. PATENT DOCUMENTS

D690,707 S * 10/2013 Minn D14/447
D716,215 S * 10/2014 Dunn D12/415

D720,759 S * 1/2015 Deng D14/447
D750,612 S * 3/2016 Chen D14/253
D753,643 S * 4/2016 Kim D14/253
D765,651 S * 9/2016 Liu D14/253
D767,556 S * 9/2016 Lee D12/415
D767,557 S * 9/2016 Lee D14/253
D768,125 S * 10/2016 Kim D14/253
D769,860 S * 10/2016 Xiao D14/253
2011/0163143 A1* 7/2011 Zanetti B60R 11/02
224/567
2014/0103087 A1* 4/2014 Fan B60R 11/02
224/544
2014/0138419 A1* 5/2014 Minn B60R 11/0241
224/567
2016/0082893 A1* 3/2016 Ormsbee B60R 11/0241
224/558
2016/0288730 A1* 10/2016 Lee B60R 11/02

* cited by examiner

Primary Examiner — Susan Bennett Hattan

Assistant Examiner — Janice Hallmark

(74) *Attorney, Agent, or Firm* — John H. Choi

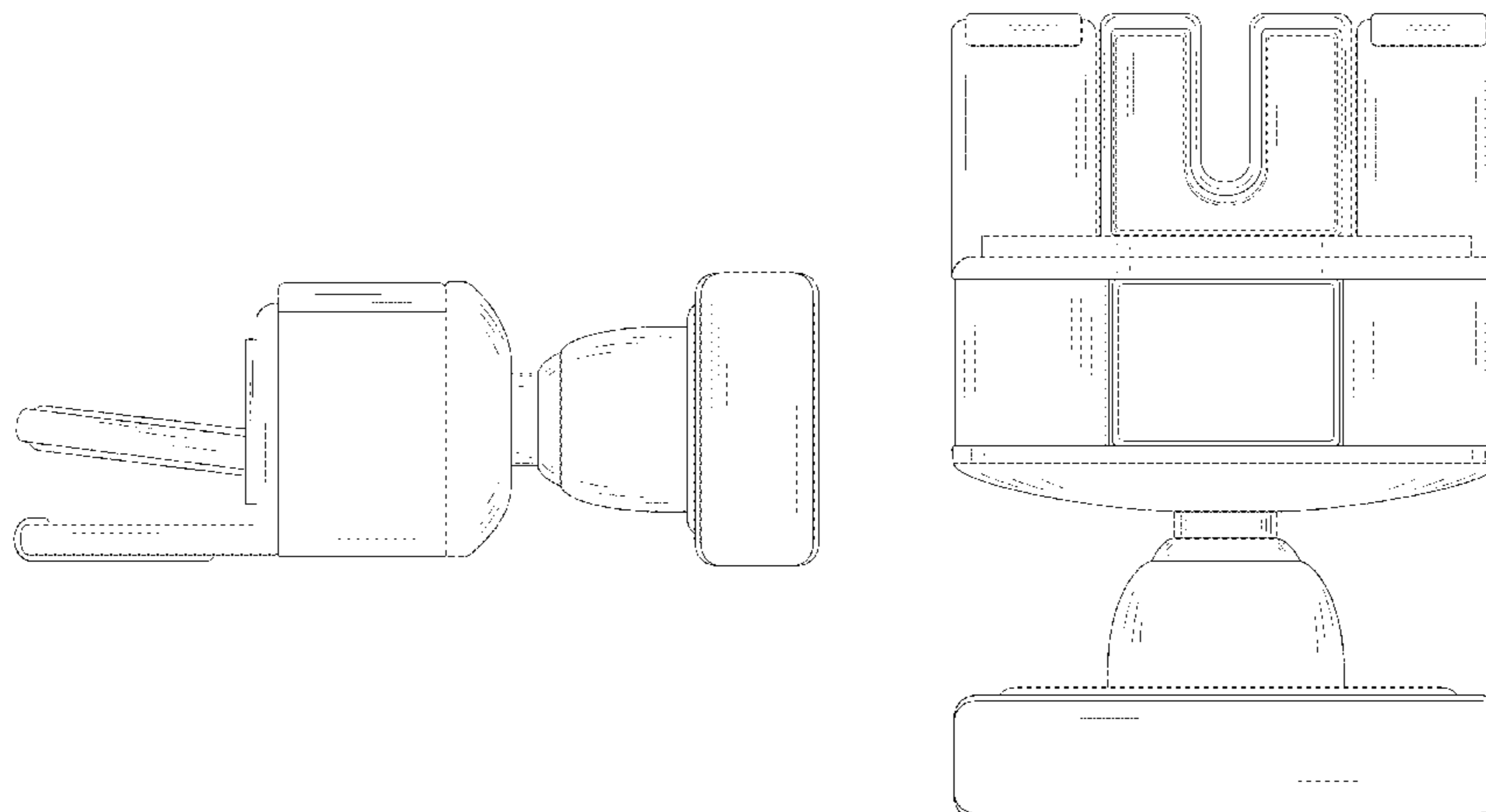
(57) **CLAIM**

The ornamental design for a mobile device holder, as shown and described.

DESCRIPTION

FIG. 1 is a front view of the mobile device holder, showing my new design;
FIG. 2 is a rear view of the mobile device holder shown in FIG. 1;
FIG. 3 is a left side view of the mobile device holder shown in FIG. 1, the right side view being a mirror image of that which is shown;
FIG. 4 is a top view of the mobile device holder shown in FIG. 1; and,
FIG. 5 is a bottom view of the mobile device holder shown in FIG. 1.

1 Claim, 5 Drawing Sheets



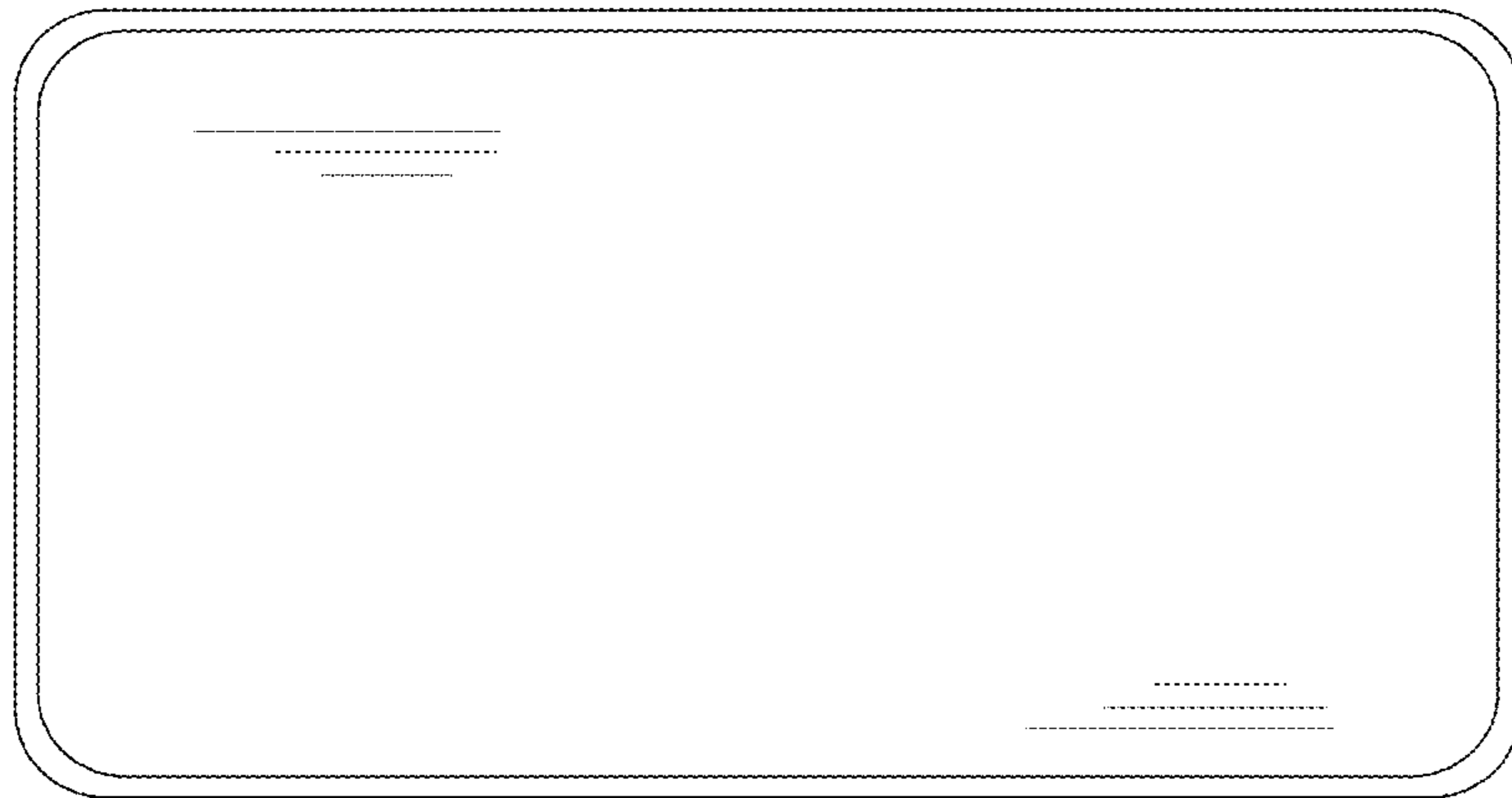


FIG. 1

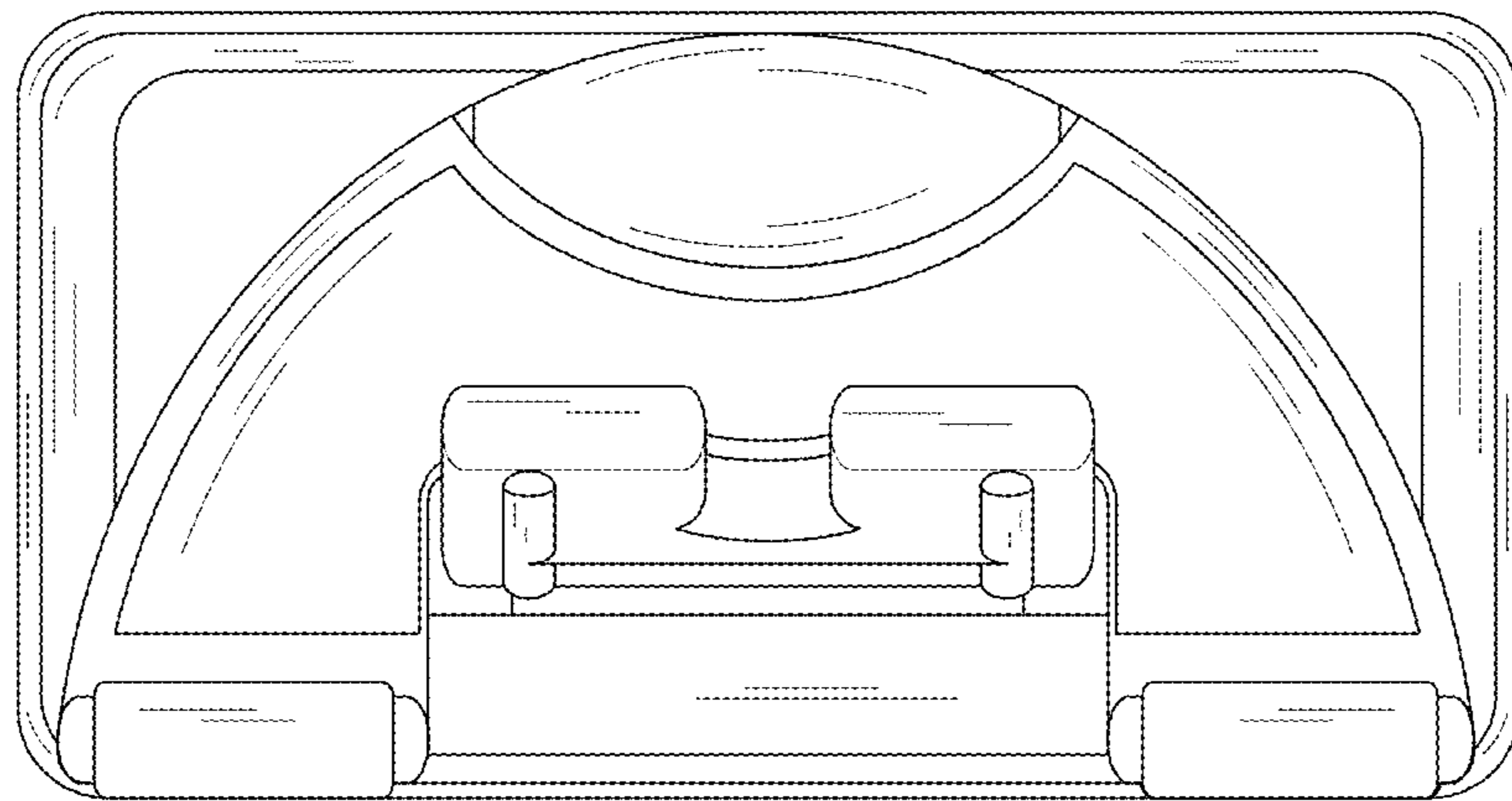


FIG. 2

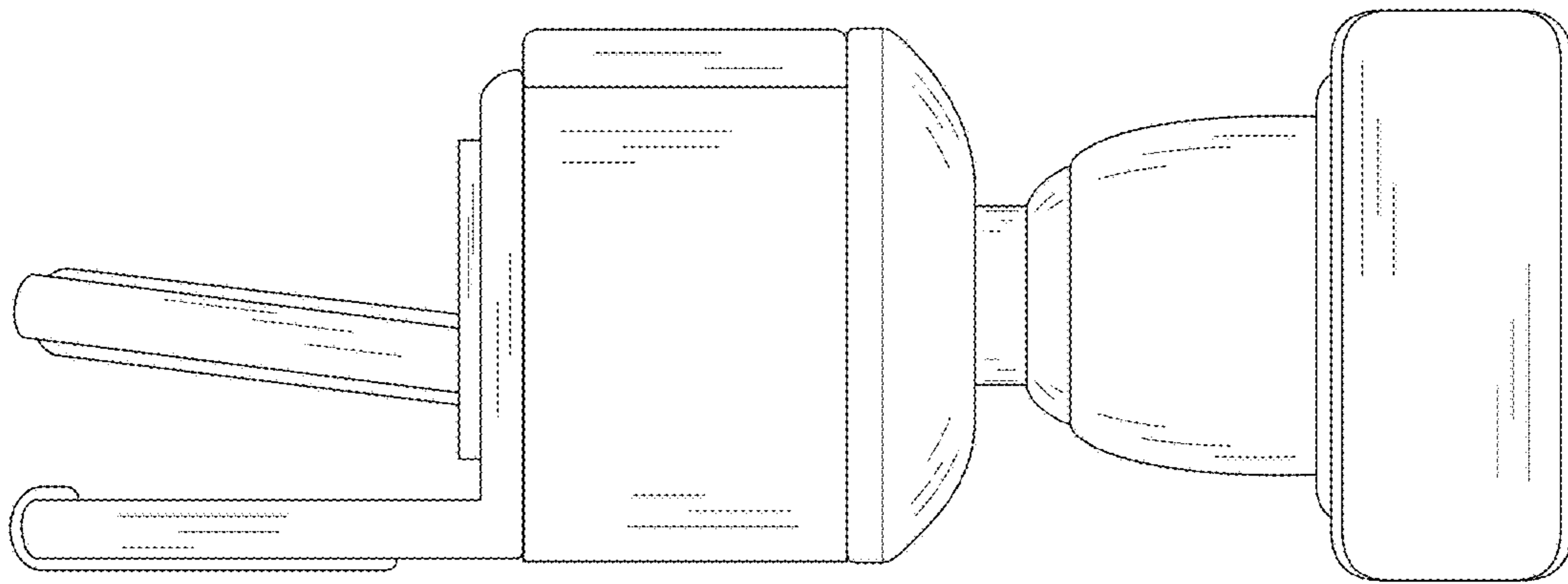


FIG. 3

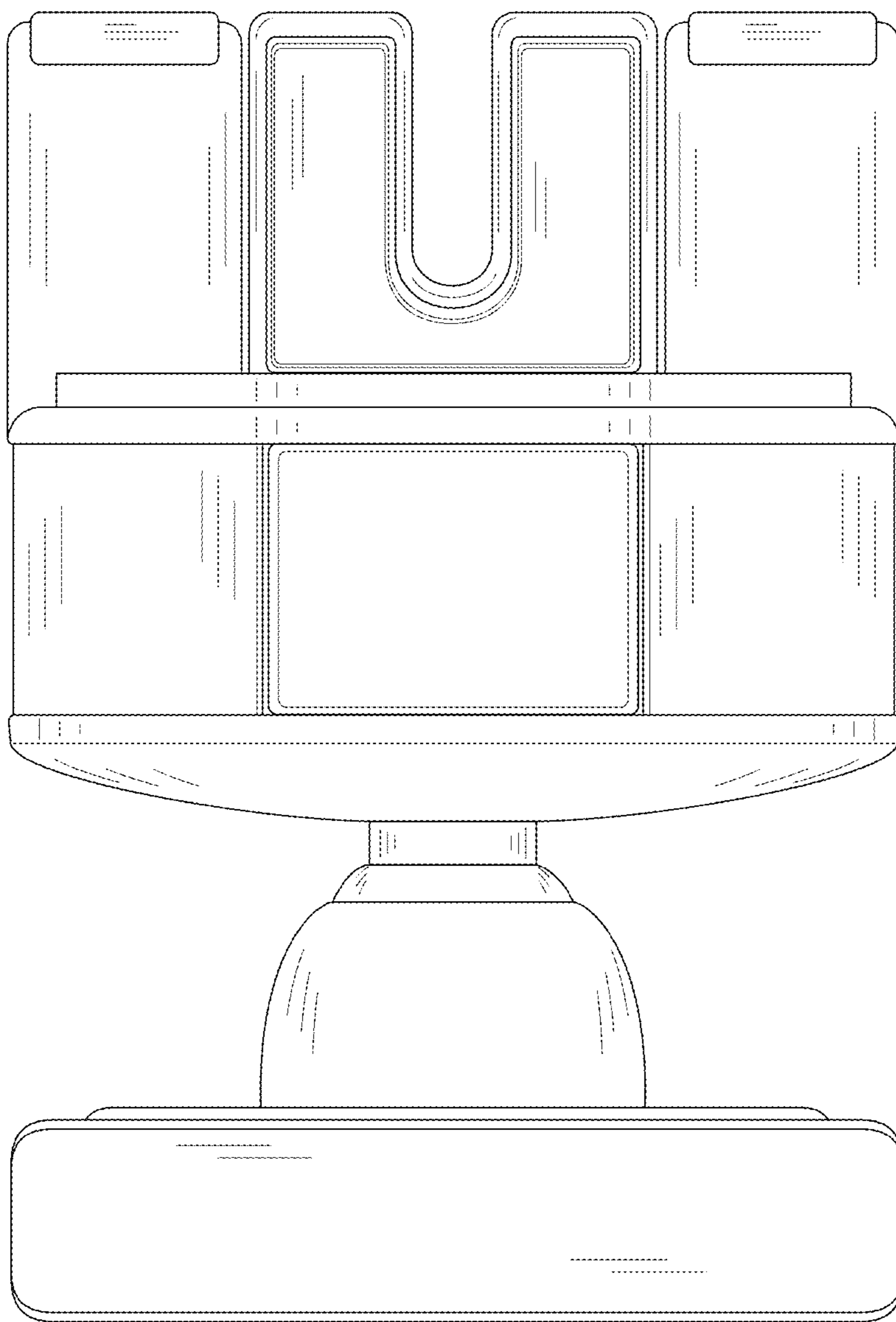


FIG. 4

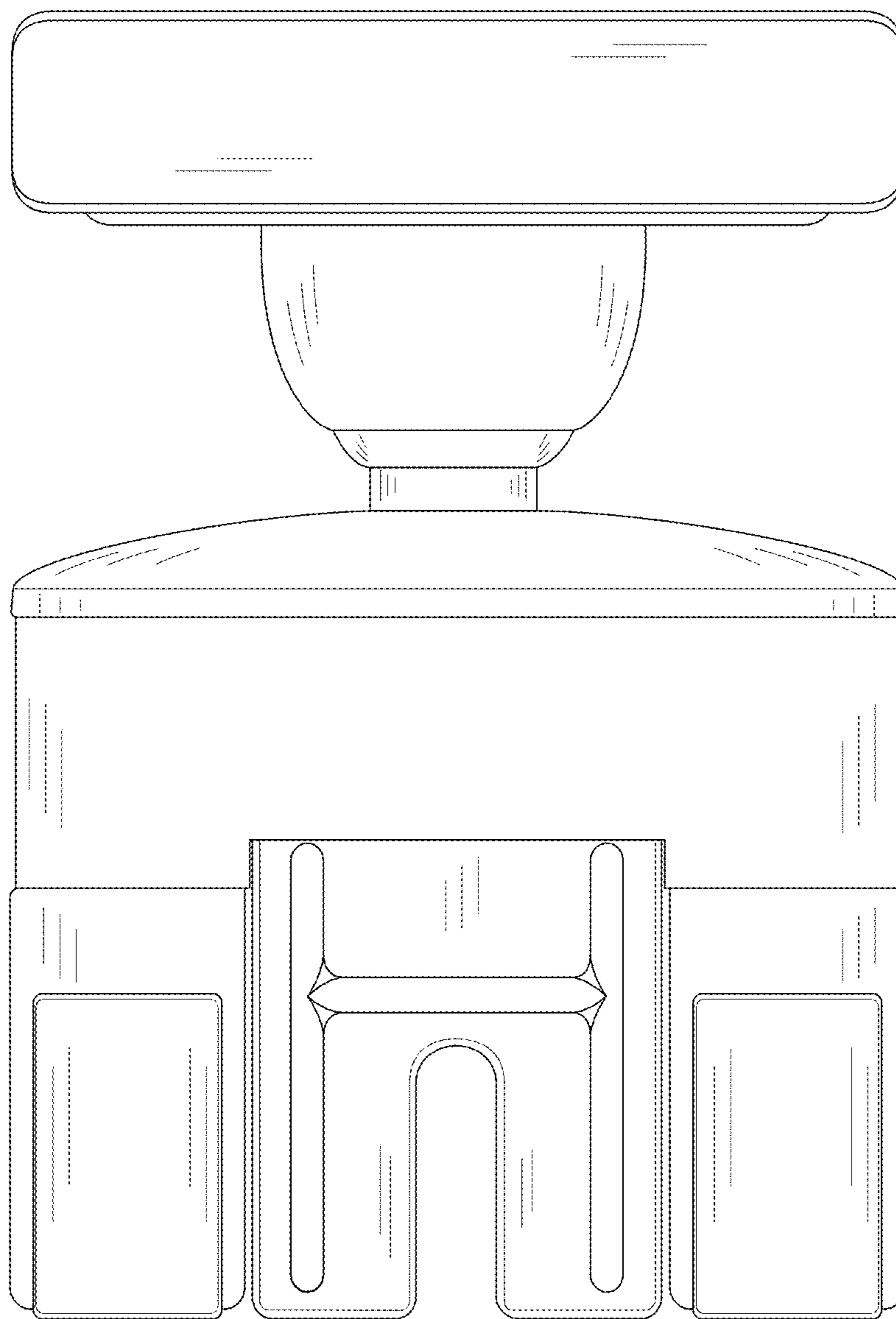


FIG. 5