



US00D806063S

(12) **United States Design Patent**  
**Kim**

(10) **Patent No.:** **US D806,063 S**

(45) **Date of Patent:** **\*\* Dec. 26, 2017**

(54) **CASE FOR ELECTRONIC DEVICE**

(71) Applicant: **SPIGEN KOREA CO., LTD.**, Seoul (KR)

(72) Inventor: **Dae-Young Kim**, Seoul (KR)

(73) Assignee: **SPIGEN KOREA CO., LTD.**, Geumcheon-Gu, Seoul (KR)

(\*\*) Term: **15 Years**

(21) Appl. No.: **29/599,804**

(22) Filed: **Apr. 6, 2017**

**Related U.S. Application Data**

(63) Continuation of application No. 29/571,936, filed on Jul. 22, 2016, now Pat. No. Des. 786,854, which is a (Continued)

(51) **LOC (10) Cl.** ..... **14-03**

(52) **U.S. Cl.**  
USPC ..... **D14/250**

(58) **Field of Classification Search**  
USPC ..... D14/143, 189, 203.2–203.7, 217, 238.1, D14/240, 248, 250, 251–253, 440, 447, D14/496; D13/103

(Continued)

(56) **References Cited**

**U.S. PATENT DOCUMENTS**

D613,763 S \* 4/2010 Jones ..... D14/203.3  
D619,361 S 7/2010 Andre

(Continued)

**OTHER PUBLICATIONS**

<http://www.spigen.com/collections/galaxy-s6-edge/products/galaxy-s6-edge-case-slim-armor?variant=1161474189>—Retrieved Mar. 23, 2016.\*

(Continued)

*Primary Examiner* — Manpreet Matharu

*Assistant Examiner* — Mojtaba Tehrani

(74) *Attorney, Agent, or Firm* — Lucem, PC; Heedong Chae

(57) **CLAIM**

The ornamental design for a case for electronic device, as shown and described.

**DESCRIPTION**

FIG. 1 is a front perspective view of a case for an electronic device showing my new design;

FIG. 2 is a rear perspective view thereof;

FIG. 3 is a front elevational view thereof;

FIG. 4 is a rear elevational view thereof;

FIG. 5 is a left side elevational view thereof;

FIG. 6 is a right side elevational view thereof;

FIG. 7 is a top plan view thereof;

FIG. 8 is a bottom plan view thereof;

FIG. 9 is a rear perspective view thereof with a support leg extended;

FIG. 10 is an exploded front perspective view thereof showing an inner shell, the support leg, and an outer frame of the case;

FIG. 11 is an exploded rear perspective view thereof showing the inner shell, the support leg, and the outer frame of the case;

FIG. 12 is a front perspective view of the inner shell of the case;

FIG. 13 is a rear perspective view of the inner shells of the case;

FIG. 14 is a front perspective view of the support leg of the case;

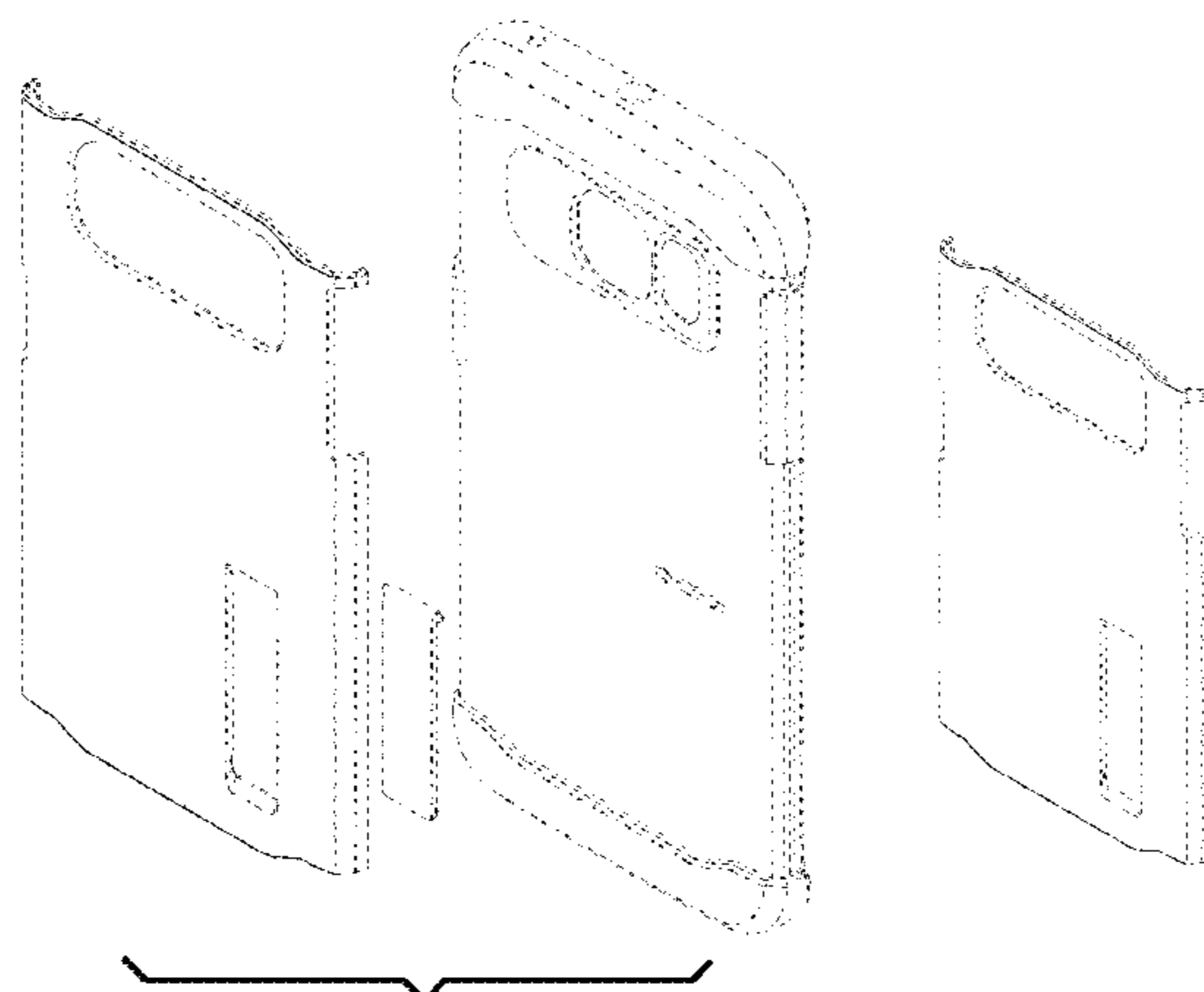
FIG. 15 is a rear perspective view of the support leg of the case;

FIG. 16 is a front perspective view of the outer frame of the case; and,

FIG. 17 is a rear perspective view of the outer frame of the case.

The claimed design includes top and bottom boundary lines of the outer frame shown in solid lines. The broken lines in

(Continued)



the figure drawings represent an unclaimed environment only and form no part of the claimed design.

**1 Claim, 17 Drawing Sheets**

**Related U.S. Application Data**

continuation of application No. 29/518,402, filed on Feb. 23, 2015, now Pat. No. Des. 786,851, application No. 29/599,804, which is a continuation of application No. 29/518,402.

- (58) **Field of Classification Search**  
 CPC ..... A45C 1/06; A45C 11/00; A45C 13/02;  
 A45C 2011/002; A45F 2005/026; A45F  
 2200/0525; A45F 2200/0516; H04B  
 1/3888; H04M 1/0283; H04M 1/0202  
 See application file for complete search history.

(56) **References Cited**

U.S. PATENT DOCUMENTS

D623,639 S \* 9/2010 Richardson ..... D14/250  
 D623,640 S \* 9/2010 Freeman ..... D14/250  
 D632,683 S \* 2/2011 Richardson ..... D14/250  
 D632,686 S \* 2/2011 Magness ..... D14/250  
 D638,414 S \* 5/2011 Magness ..... D14/250  
 D640,679 S \* 6/2011 Willes ..... D14/250  
 D641,012 S \* 7/2011 Fahrendorff ..... D14/250  
 D642,558 S \* 8/2011 Magness ..... D14/250  
 D646,265 S \* 10/2011 Fathollahi ..... D14/250  
 D646,673 S \* 10/2011 Fathollahi ..... D14/250  
 D647,084 S \* 10/2011 Fathollahi ..... D14/250  
 D647,518 S \* 10/2011 Fathollahi ..... D14/250  
 8,028,794 B1 \* 10/2011 Freeman ..... A45C 11/00  
 181/202  
 D650,371 S \* 12/2011 Wibby ..... D14/238.1  
 D655,281 S 3/2012 Turocy  
 D658,165 S \* 4/2012 Freeman ..... D14/250  
 D663,284 S \* 7/2012 Sparks ..... D14/138 G  
 D667,783 S \* 9/2012 Zhang ..... D13/102  
 D670,689 S \* 11/2012 Wang ..... D14/250  
 D676,035 S \* 2/2013 Chang ..... D14/250  
 D681,615 S \* 5/2013 Fathollahi ..... D14/250  
 8,517,172 B1 \* 8/2013 Chang ..... G06F 1/1626  
 206/320  
 D697,905 S 1/2014 Chang et al.  
 D698,773 S 2/2014 Wildner  
 D698,776 S \* 2/2014 Fathollahi ..... D14/250  
 D703,646 S \* 4/2014 Fathollahi ..... D14/250  
 D706,254 S 6/2014 Chang  
 D707,670 S 6/2014 Chang et al.  
 D718,757 S 12/2014 Jaffee  
 D718,758 S 12/2014 Jaffee  
 D721,360 S 1/2015 Laffon de Mazieres et al.  
 D724,572 S 3/2015 Wildner

D727,883 S \* 4/2015 Brand ..... D14/250  
 D732,012 S \* 6/2015 Tsai ..... D14/250  
 D733,693 S 7/2015 Wang et al.  
 D736,205 S \* 8/2015 Park ..... D14/138 R  
 D739,391 S \* 9/2015 Chen ..... D14/248  
 D746,273 S 12/2015 Herbst  
 D746,275 S 12/2015 Mohammad  
 D749,535 S 2/2016 Joung  
 D749,557 S 2/2016 Feng  
 D752,568 S 3/2016 Kang et al.  
 D756,343 S \* 5/2016 Wall ..... D14/250  
 D756,909 S 5/2016 Gupta  
 D756,978 S 5/2016 Addonisio  
 D759,644 S 6/2016 Penn  
 D760,710 S 7/2016 Ozolins et al.  
 D761,239 S \* 7/2016 Kim ..... D14/250  
 D761,774 S 7/2016 Liang  
 D761,775 S 7/2016 Pan et al.  
 D763,241 S 8/2016 Kim  
 D763,242 S 8/2016 Kim  
 D765,627 S 9/2016 Watt  
 D765,645 S 9/2016 Kim  
 D767,485 S 9/2016 To et al.  
 D771,028 S 11/2016 Kim  
 D771,608 S 11/2016 Kim  
 D772,209 S 11/2016 Kim et al.  
 D774,499 S \* 12/2016 Fathollahi ..... D14/250  
 D776,649 S \* 1/2017 Kim ..... D14/250  
 D777,155 S \* 1/2017 Kim ..... D14/250  
 D777,156 S \* 1/2017 Kim ..... D14/250  
 D777,717 S \* 1/2017 Kim ..... D14/250  
 D778,892 S \* 2/2017 Fathollahi ..... D14/250  
 D778,893 S 2/2017 Fathollahi  
 D778,897 S \* 2/2017 Kim ..... D14/250  
 D778,898 S \* 2/2017 Kim ..... D14/250  
 D781,837 S 3/2017 Kim et al.  
 D781,840 S \* 3/2017 Kim ..... D14/250  
 D786,233 S \* 5/2017 Kim ..... D14/250  
 D786,851 S \* 5/2017 Kim ..... D14/250  
 D786,852 S \* 5/2017 Kim ..... D14/250  
 D786,854 S \* 5/2017 Kim ..... D14/250  
 D787,492 S \* 5/2017 Kim ..... D14/250  
 D788,090 S \* 5/2017 Kim ..... D14/250  
 D789,344 S \* 6/2017 Kim ..... D14/250  
 9,675,150 B2 \* 6/2017 Kim ..... A45C 11/182  
 2011/0050606 A1 3/2011 Zhang  
 2014/0284096 A1 \* 9/2014 Wu ..... H05K 5/04  
 174/520  
 2015/0335116 A1 11/2015 Kim  
 2016/0374443 A1 \* 12/2016 Kim ..... A45C 11/182  
 206/38

OTHER PUBLICATIONS

<https://www.youtube.com/watch?v=XHDOAg6LZMY>—Published Apr. 14, 2015.\*  
<http://www.androidcentral.com/top-6-cases-samsung-galaxy-s6-edge>—Published Apr. 30, 2015.\*

\* cited by examiner

FIG. 1

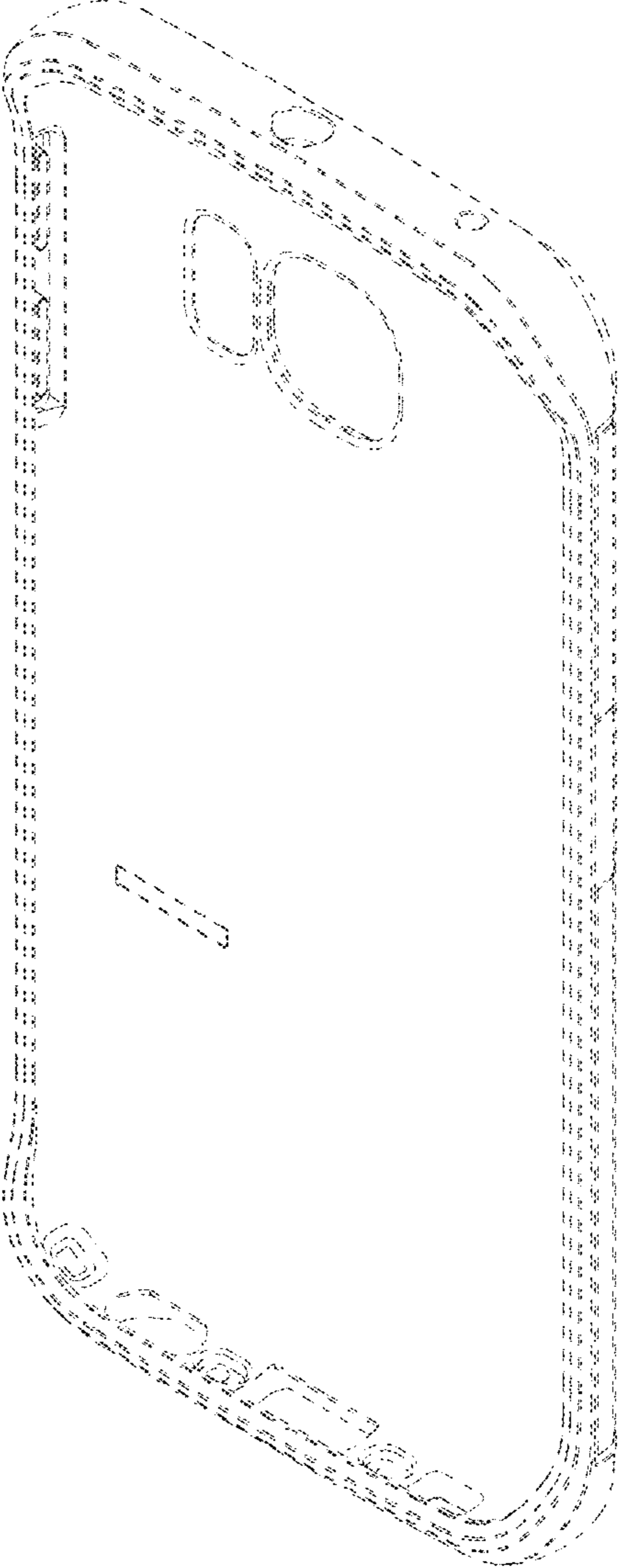




FIG. 2

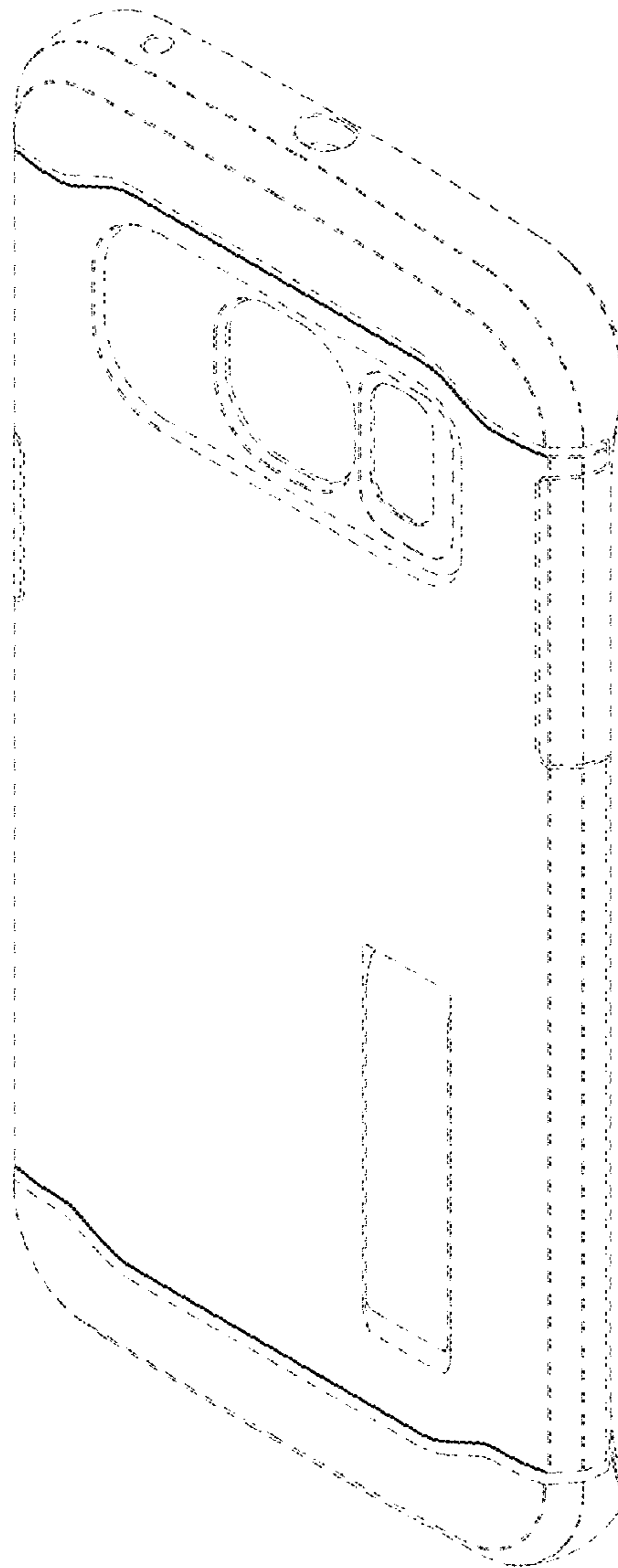


FIG. 3

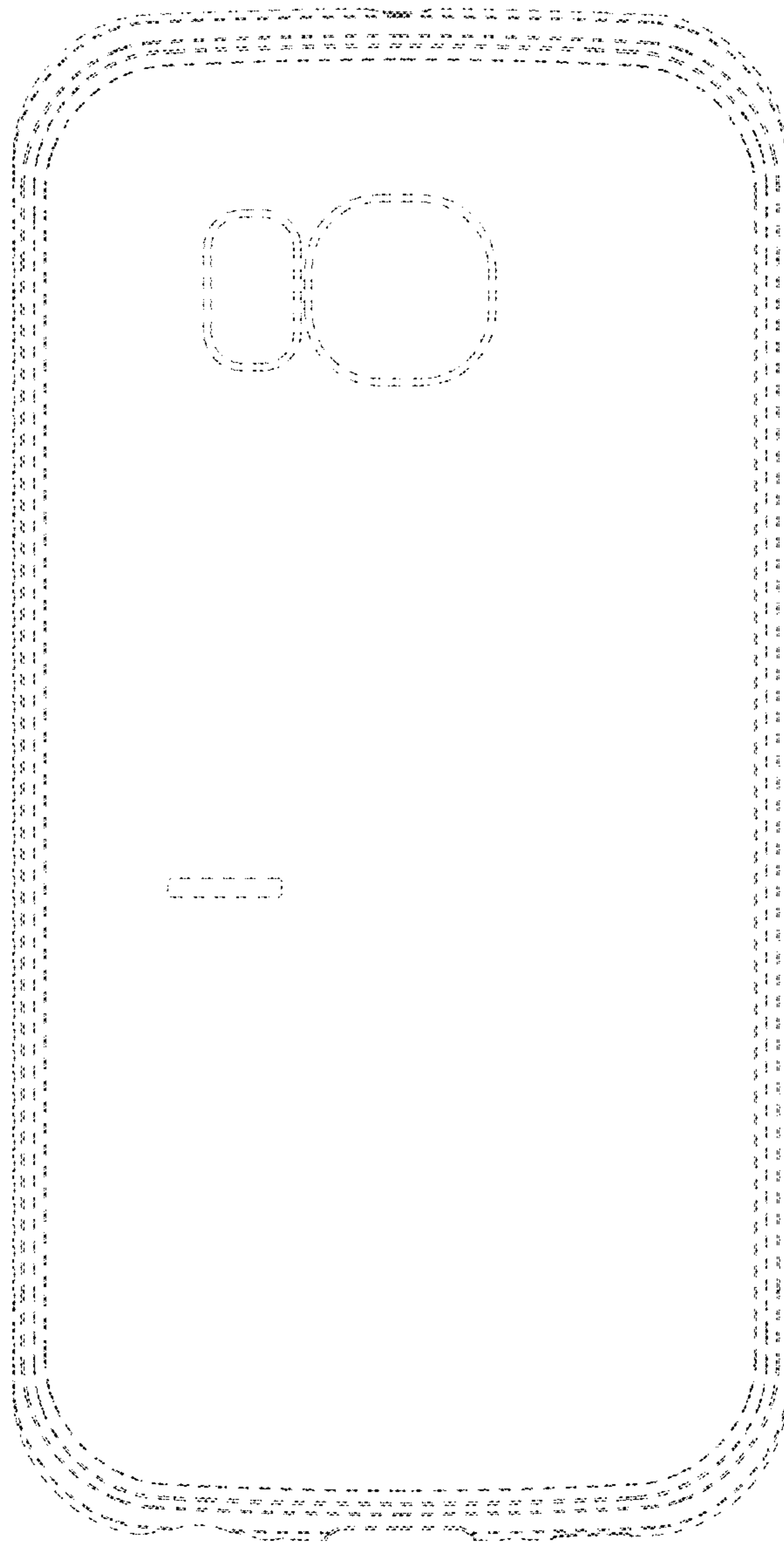


FIG. 4

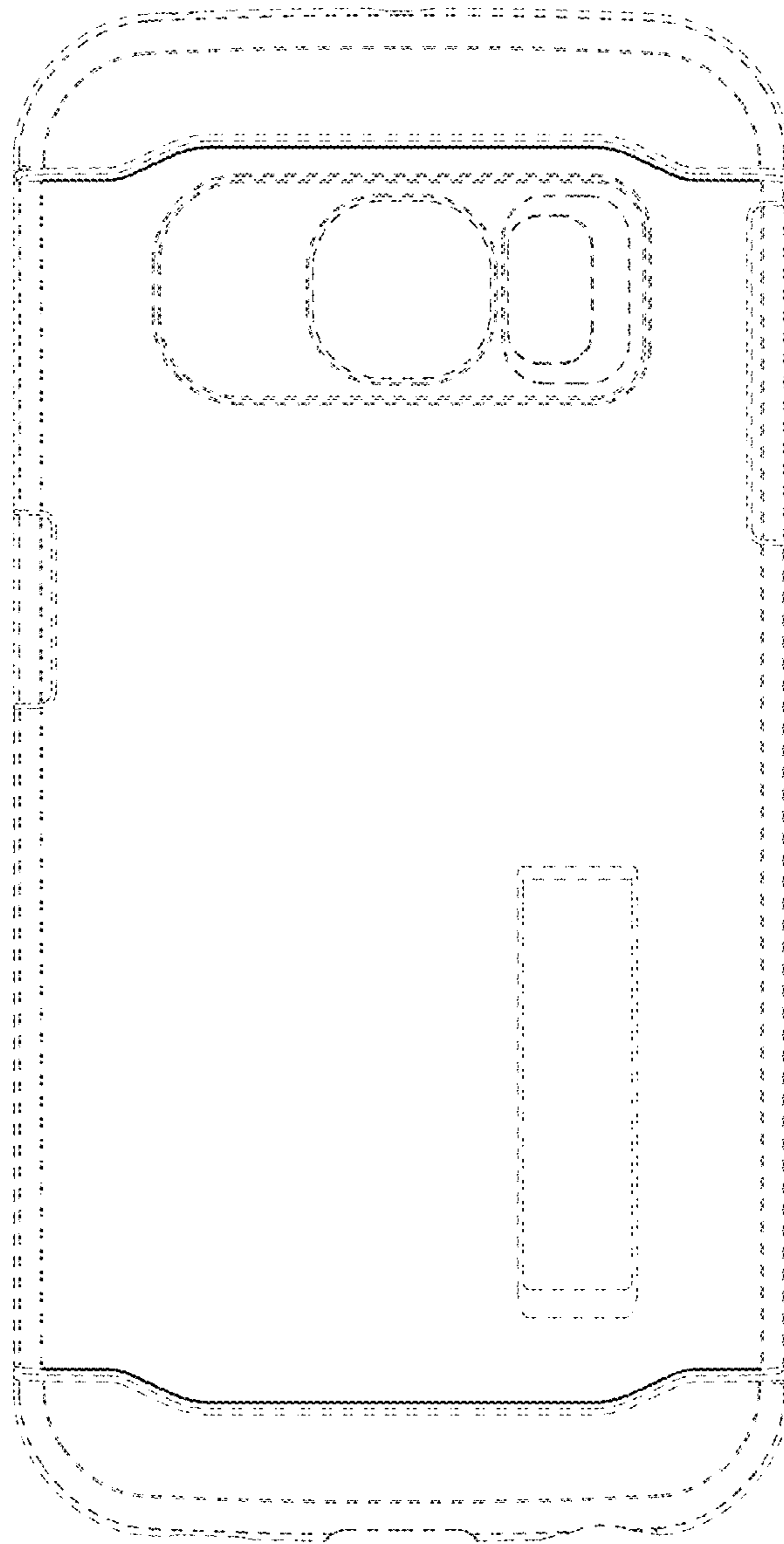


FIG. 5

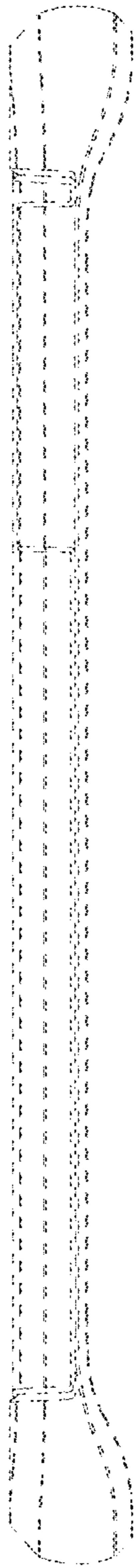


FIG. 6

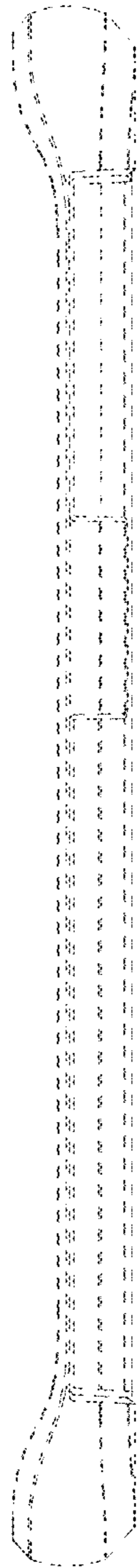




FIG. 7

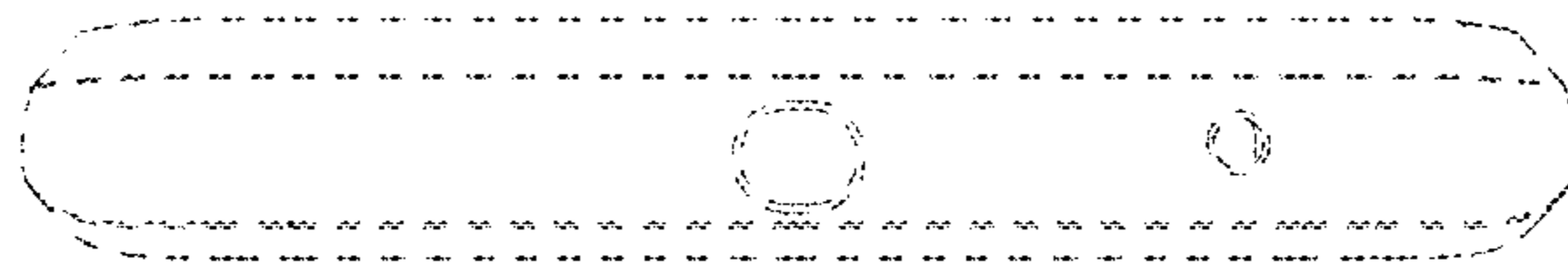


FIG. 8

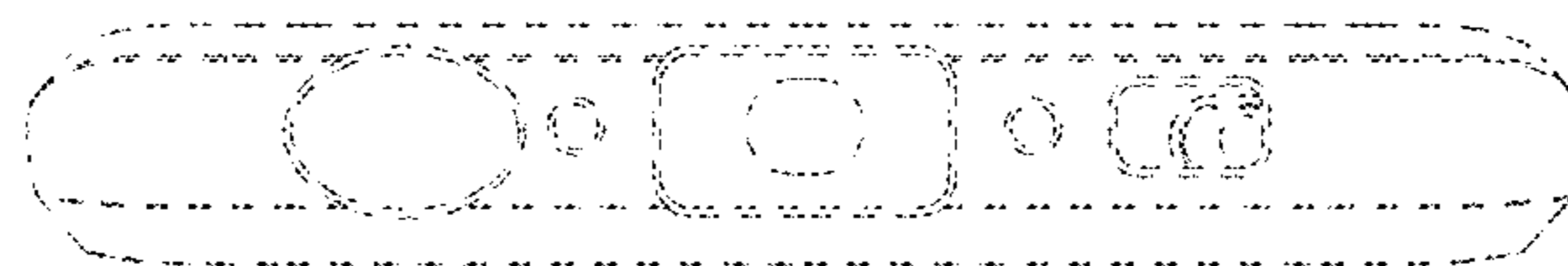


FIG. 9

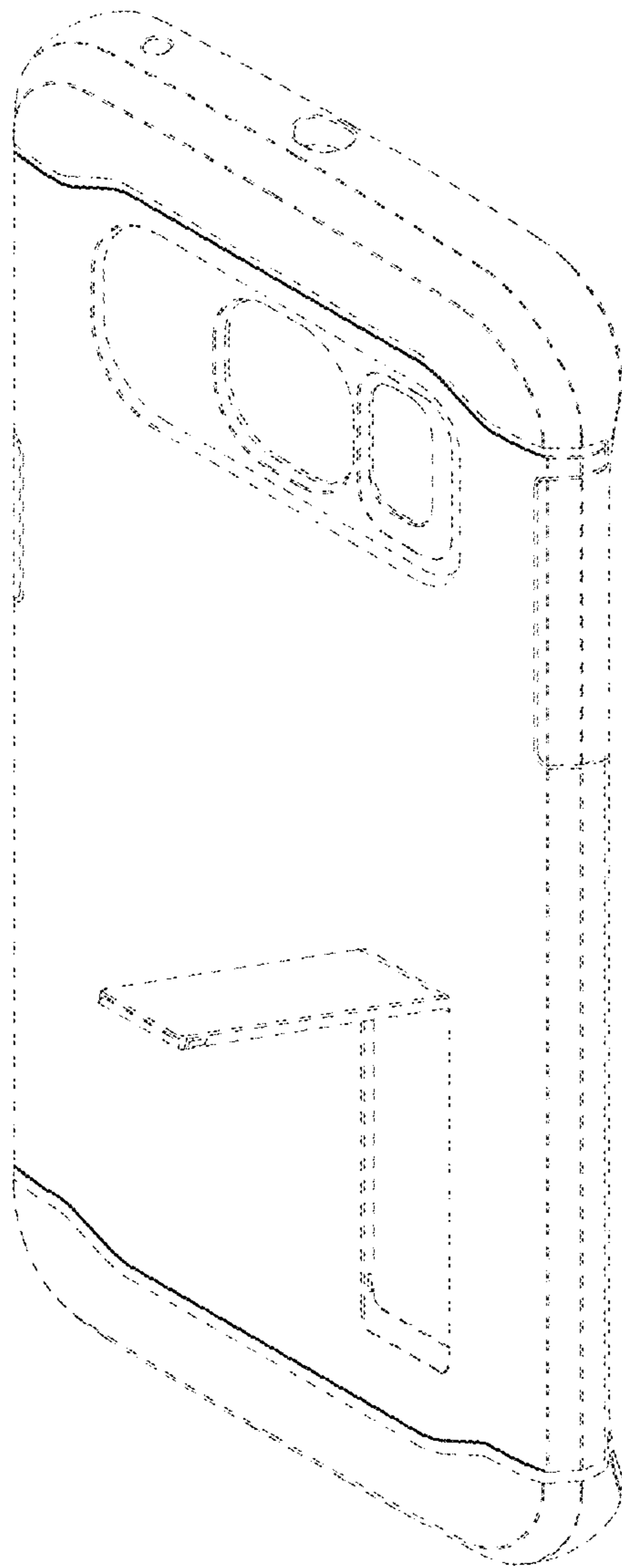


FIG. 10

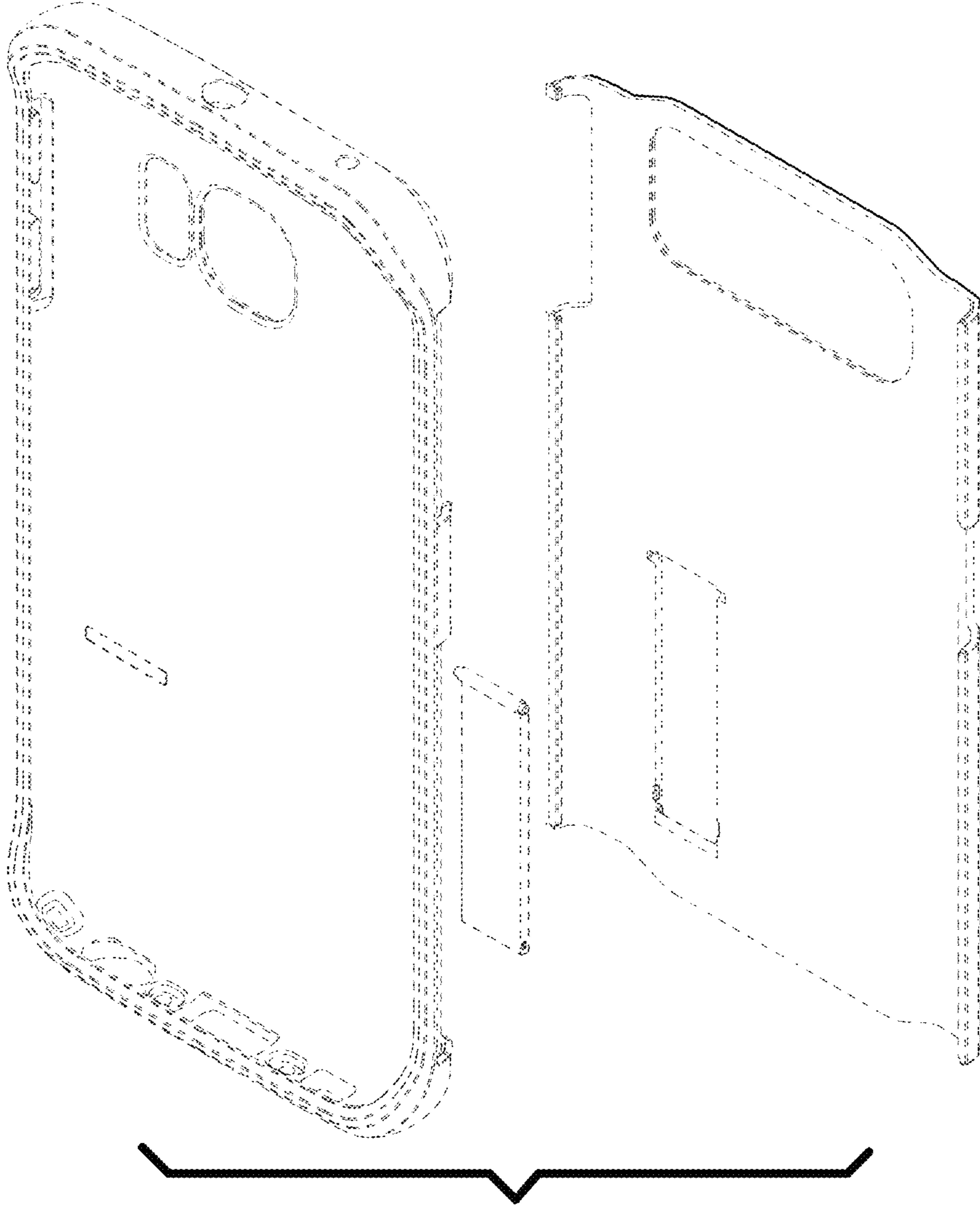


FIG. 11

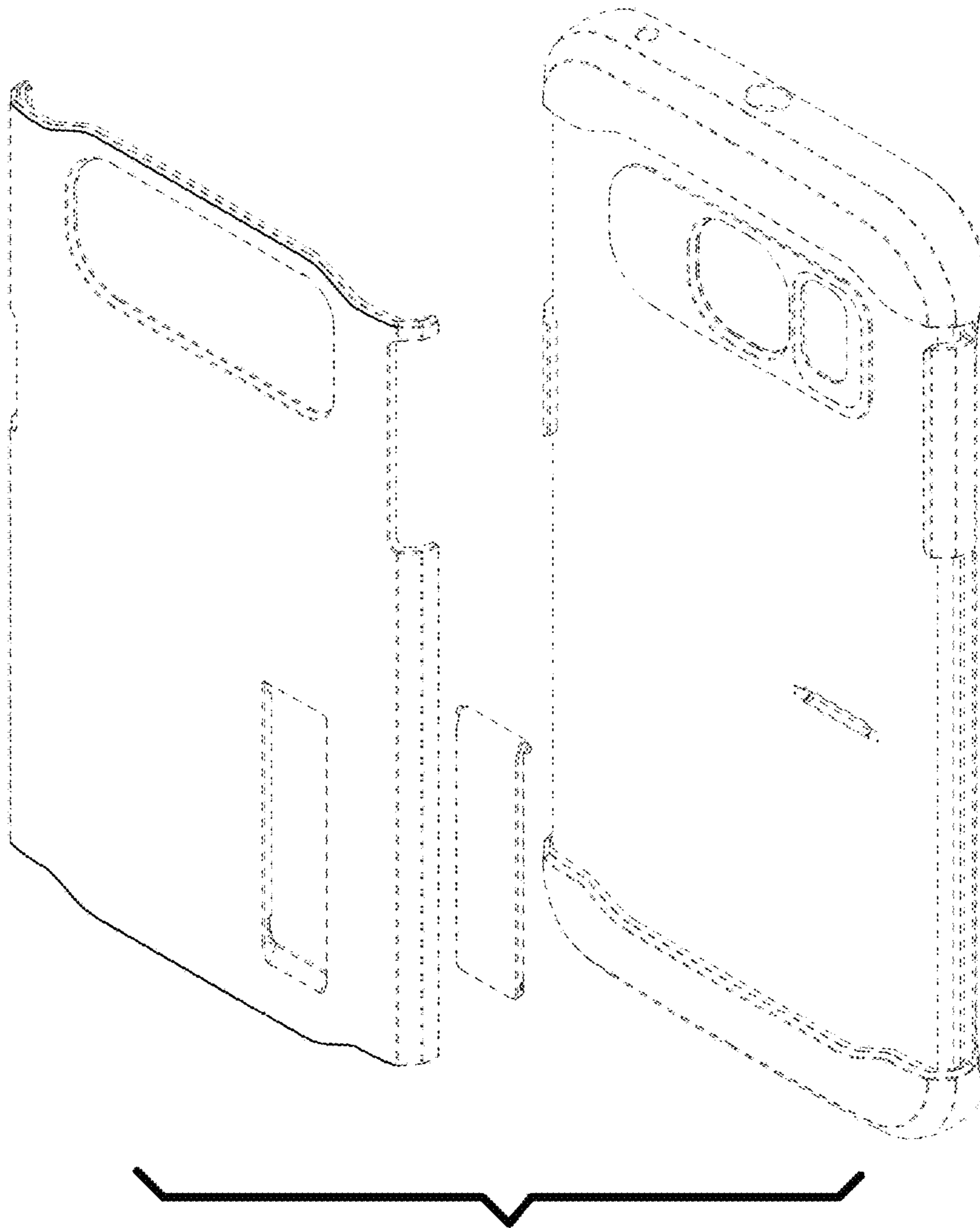




FIG. 12

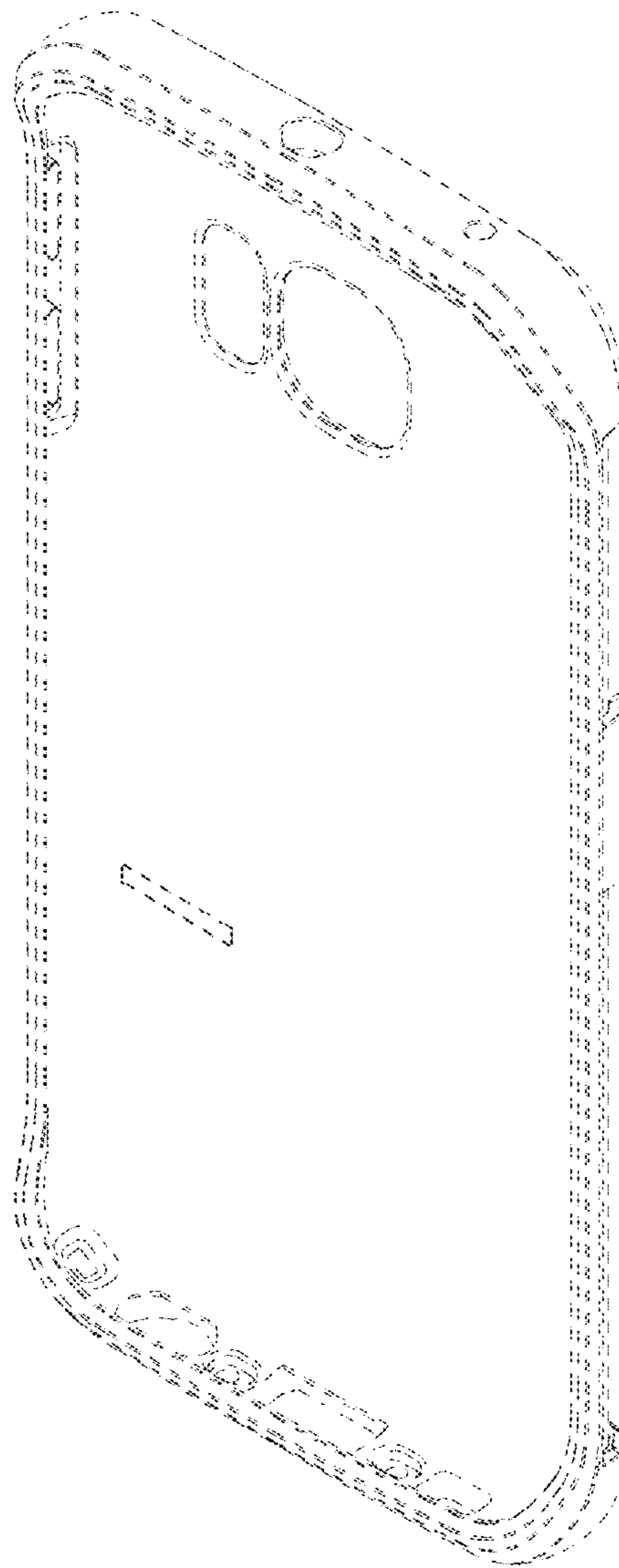


FIG. 13

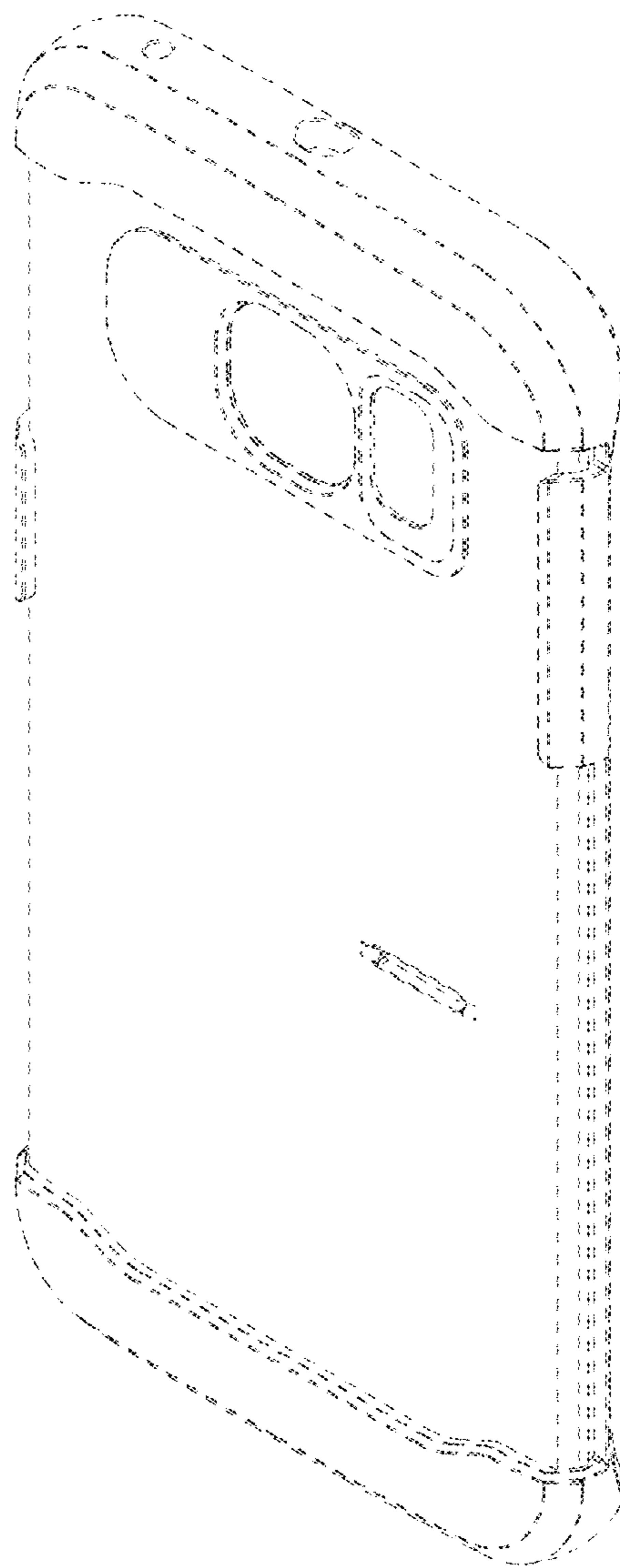


FIG. 14

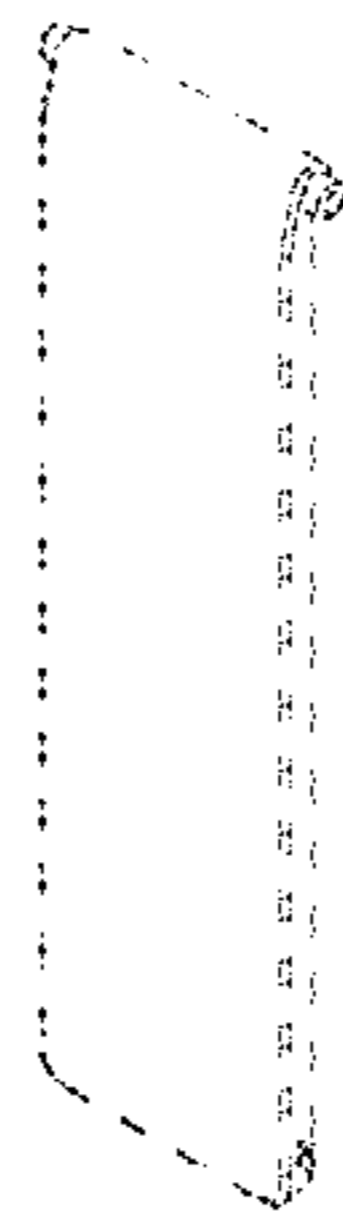


FIG. 15

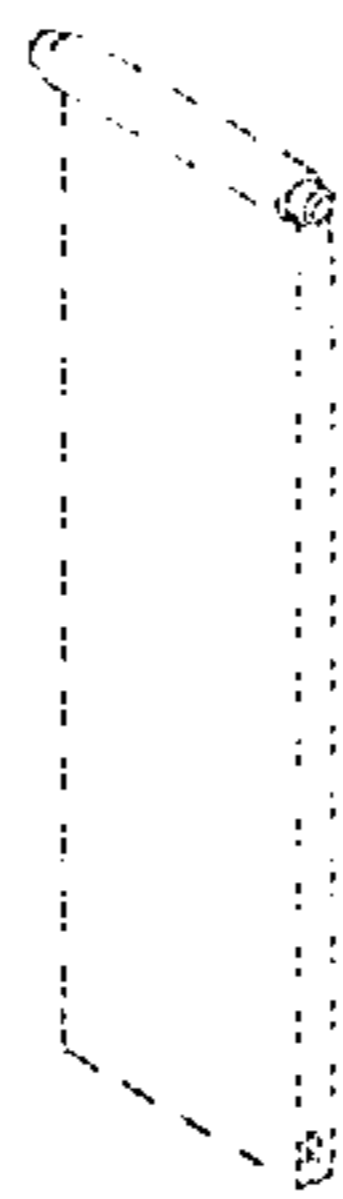


FIG. 16

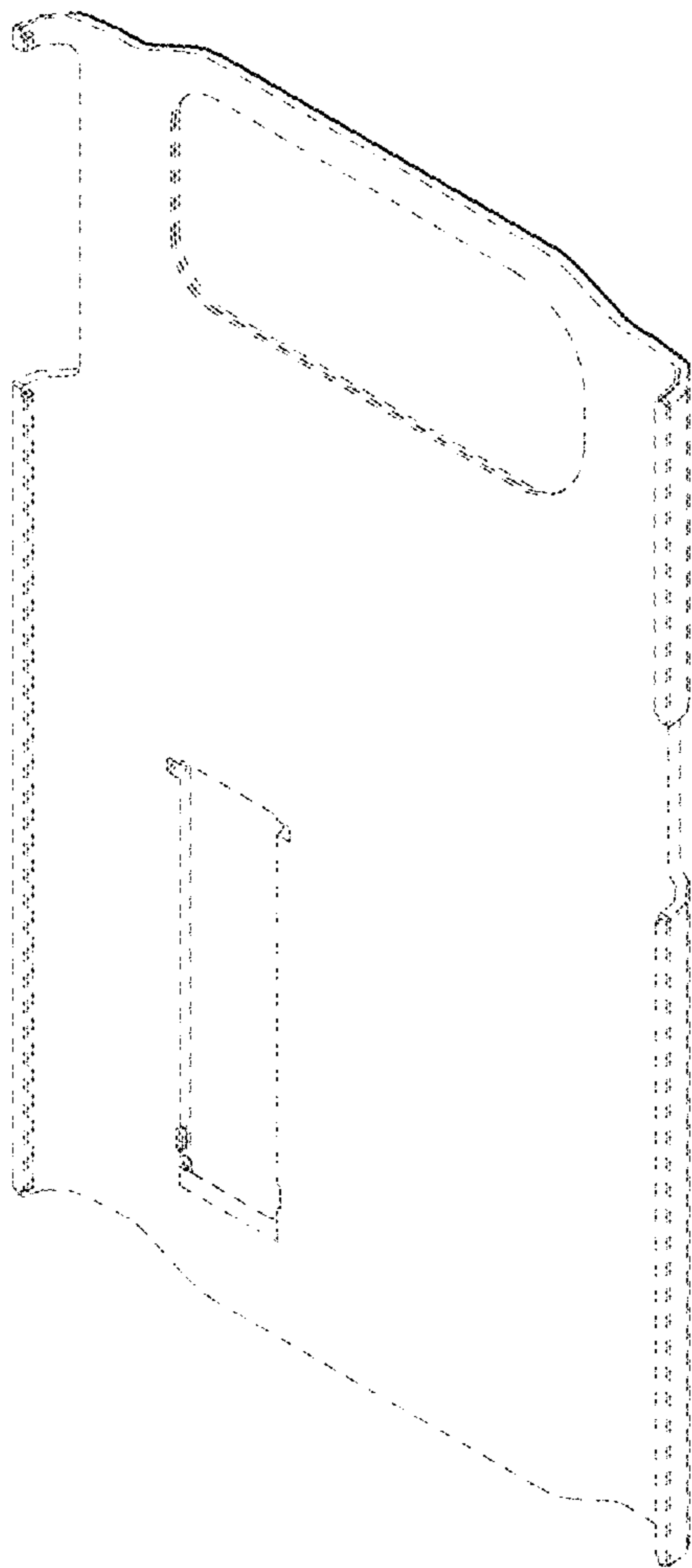




FIG. 17

