



US00D806059S

(12) **United States Design Patent**
Ott et al.

(10) **Patent No.:** **US D806,059 S**

(45) **Date of Patent:** **** Dec. 26, 2017**

(54) **HEADPHONE**

(71) Applicant: **Harman International Industries, Incorporated, Northridge, CA (US)**

(72) Inventors: **Ryan Ott, St. Louis, MO (US); Eric Sia, St. Louis, MO (US); Effrosini A Karayiannis, St. Louis, MO (US)**

(73) Assignee: **Harman International Industries, Incorporated, Northridge, CA (US)**

(**) Term: **15 Years**

(21) Appl. No.: **29/576,116**

(22) Filed: **Aug. 31, 2016**

(51) **LOC (10) Cl.** **14-01**

(52) **U.S. Cl.**
USPC **D14/223; D14/205**

(58) **Field of Classification Search**
USPC D14/223, 205; 181/129, 130, 135;
379/430, 431; 381/380, 381, 370, 374;
455/90.3, 575.1, 569.1
CPC H04R 1/10; H04R 1/1016; H04R 1/1066;
H04R 25/00; H04R 25/02; H04R 5/033;
H04R 5/0335

See application file for complete search history.

(56) **References Cited**

U.S. PATENT DOCUMENTS

- 2,430,229 A * 11/1947 Kelsey H04R 1/1058
181/130
- 3,501,107 A * 3/1970 Assony B65H 75/08
242/599.2
- 4,972,492 A * 11/1990 Tanaka H04R 1/1016
181/130
- 5,363,444 A * 11/1994 Norris H04M 1/05
379/430
- 5,410,608 A * 4/1995 Lucey H04R 1/083
381/360

- 5,844,984 A * 12/1998 Yamaguchi H04R 1/1016
379/430
- 5,909,498 A * 6/1999 Smith H04R 1/1016
381/375
- 6,084,976 A * 7/2000 Lin H04R 1/1016
181/129
- D430,146 S * 8/2000 Lin D14/223
- D431,553 S * 10/2000 Suzuki D14/223
- 6,574,345 B1 * 6/2003 Huang H04R 1/1016
379/430
- 6,922,476 B2 * 7/2005 Nassimi H04R 1/1058
381/380
- D516,058 S * 2/2006 Garcia D14/205
- D554,627 S * 11/2007 Gondo D14/223
- 7,349,550 B2 * 3/2008 Oliveira H04R 1/10
381/374
- D567,217 S * 4/2008 Kamo D14/205
- D576,154 S * 9/2008 Ledbetter D14/223
- D587,681 S * 3/2009 Yanai D14/205
- D594,441 S * 6/2009 Lee D14/205
- D598,894 S * 8/2009 Masuda D14/205

(Continued)

Primary Examiner — Paula Allen Greene

(74) *Attorney, Agent, or Firm* — Plumsea Law Group, LLC

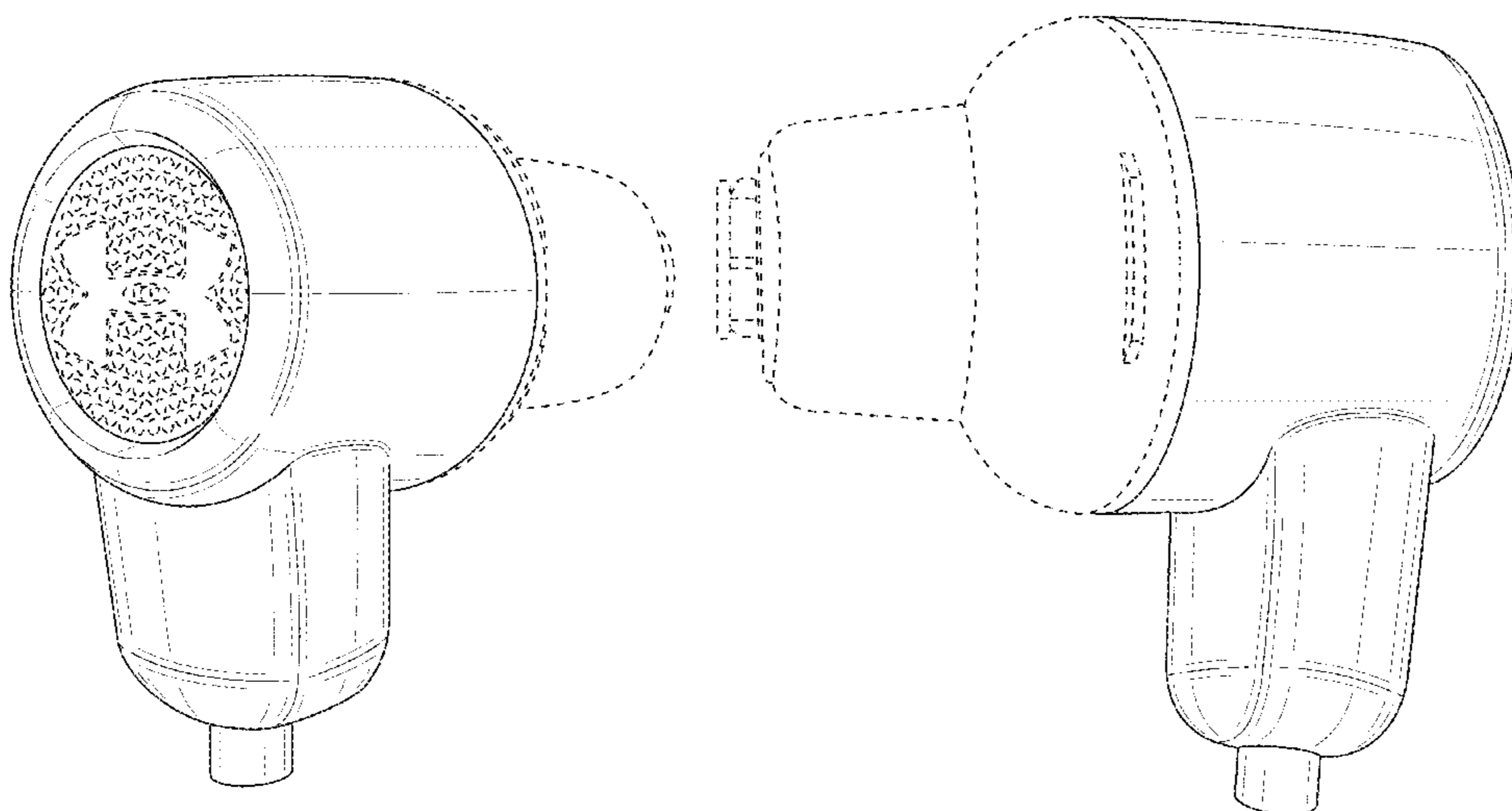
(57) **CLAIM**

The ornamental design for a headphone, as shown and described.

DESCRIPTION

FIG. 1 is a perspective view of a headphone showing our new design;
 FIG. 2 is another perspective view thereof;
 FIG. 3 is another perspective view thereof;
 FIG. 4 is a side view thereof;
 FIG. 5 is a side view of the opposite side thereof;
 FIG. 6 is a bottom view thereof; and,
 FIG. 7 is a top view thereof.
 The broken line showings form no part of the claimed design.

1 Claim, 7 Drawing Sheets



(56)

References Cited

U.S. PATENT DOCUMENTS

D599,778	S *	9/2009	Ando	D14/205
D599,785	S *	9/2009	Matsuda	D14/205
D605,170	S *	12/2009	Keinanen	D14/205
D621,389	S *	8/2010	Nagayama	D14/223
D627,764	S *	11/2010	Tsai	D14/223
D628,564	S *	12/2010	Chong	D14/223
D643,416	S *	8/2011	Chong	D14/223
D660,289	S *	5/2012	Lee	D14/223
D660,290	S *	5/2012	Weedon	D14/223
D666,581	S *	9/2012	Perez	D14/223
8,265,322	B2 *	9/2012	Uchida	H04R 1/1075 381/370
8,265,323	B2 *	9/2012	Stiehl	B29C 45/0025 381/371
8,391,536	B2 *	3/2013	Hashimoto	H04R 1/1016 381/370
D691,278	S *	10/2013	Aunio	D14/223
D698,750	S *	2/2014	Yoon	D14/205
D711,858	S *	8/2014	Yang	D14/223
D718,286	S *	11/2014	Yang	D14/223
D718,745	S *	12/2014	Thompson	D14/223
D719,548	S *	12/2014	Thompson	D14/223
D746,792	S *	1/2016	Kim	D14/205
D751,530	S *	3/2016	Kolton	D14/205
D760,189	S *	6/2016	Loh Jun Kern	D14/205
D762,196	S *	7/2016	Hsieh	D14/223
D762,616	S *	8/2016	Hsieh	D14/205
D772,844	S *	11/2016	Ott	D14/205
D773,435	S *	12/2016	Ott	D14/205
2007/0098201	A1 *	5/2007	Chen	H04R 1/1016 381/380
2011/0176700	A1 *	7/2011	Hashimoto	H04R 1/1016 381/380

* cited by examiner

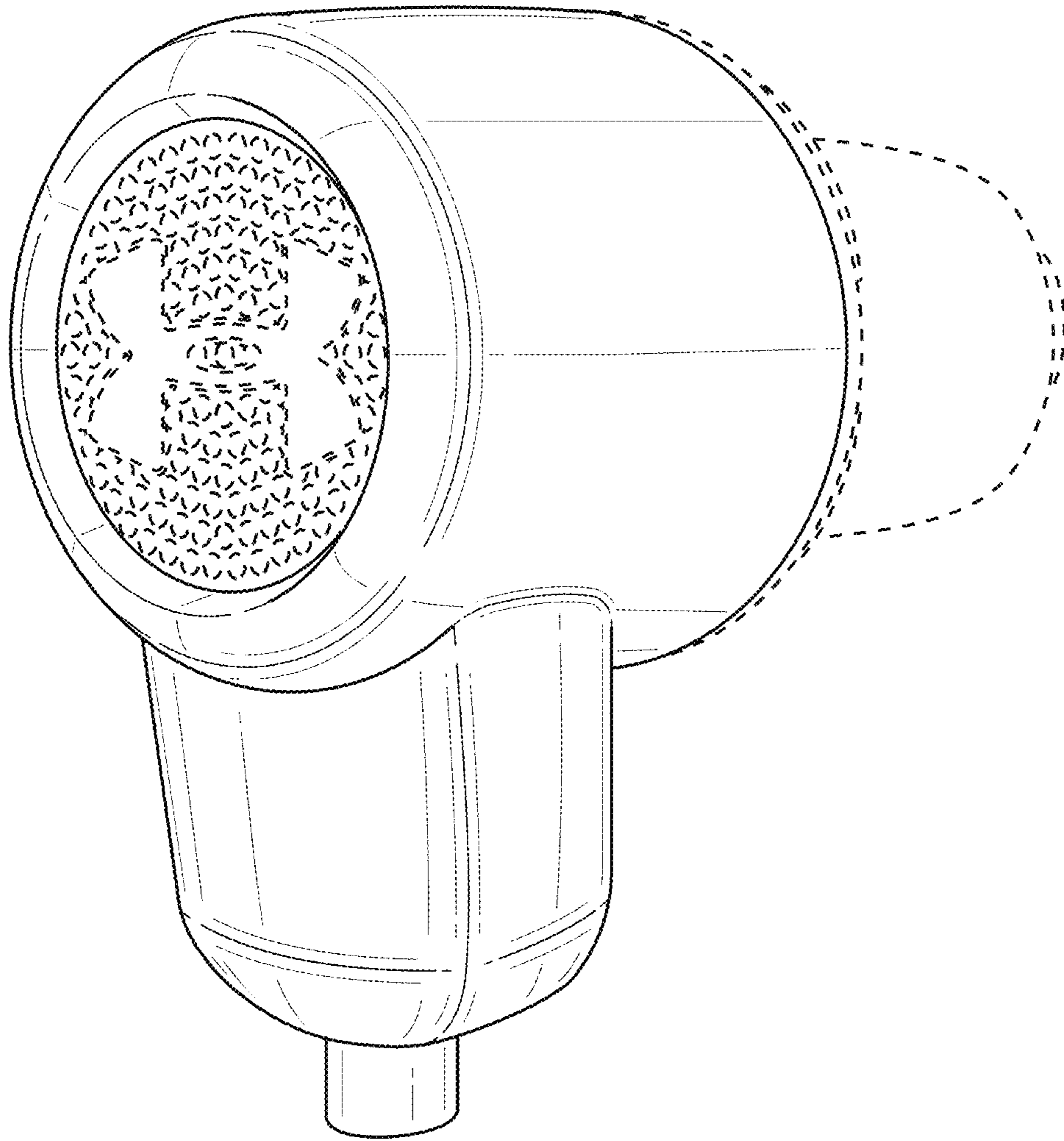


FIG. 1

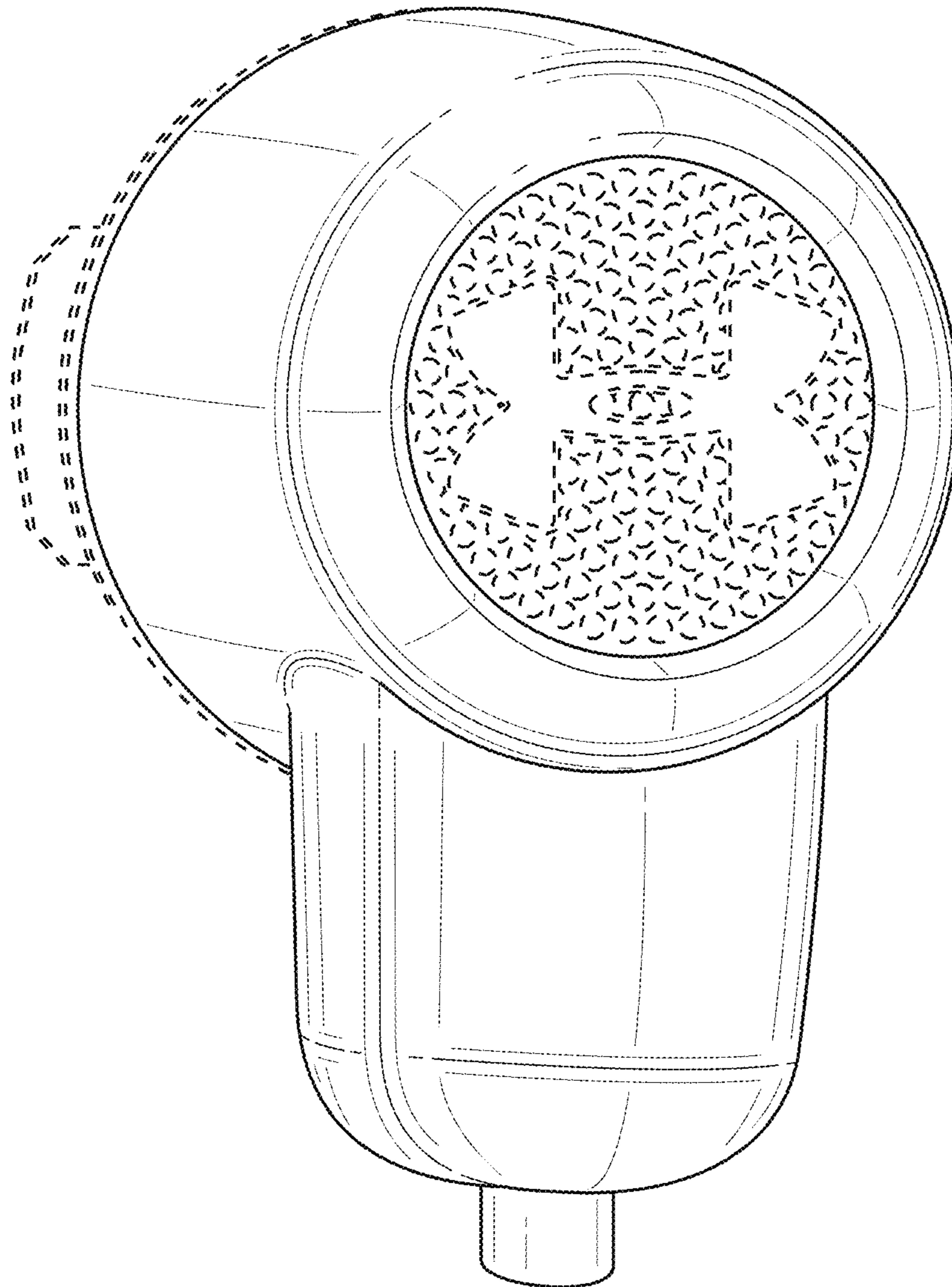


FIG. 2

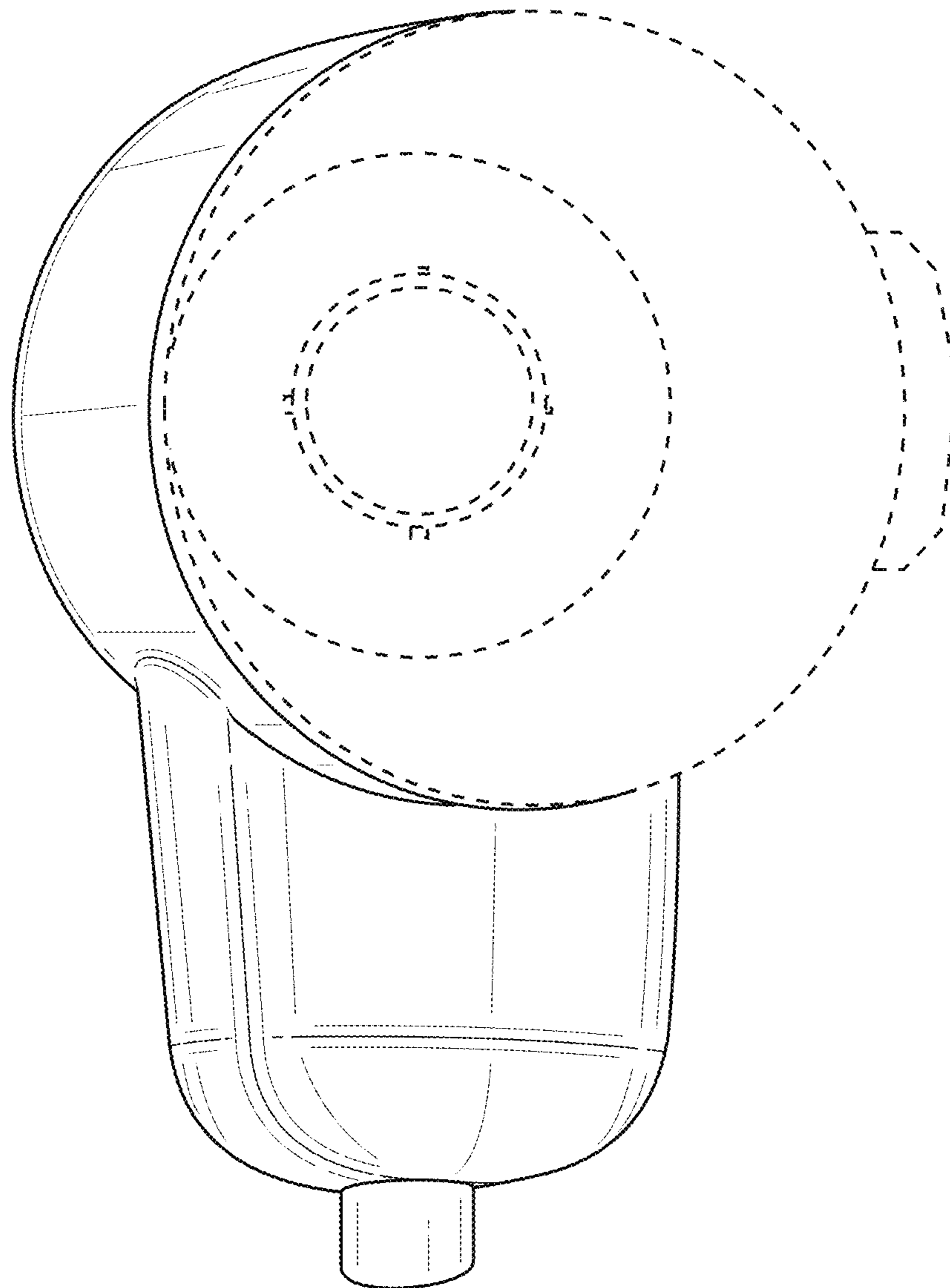


FIG. 3

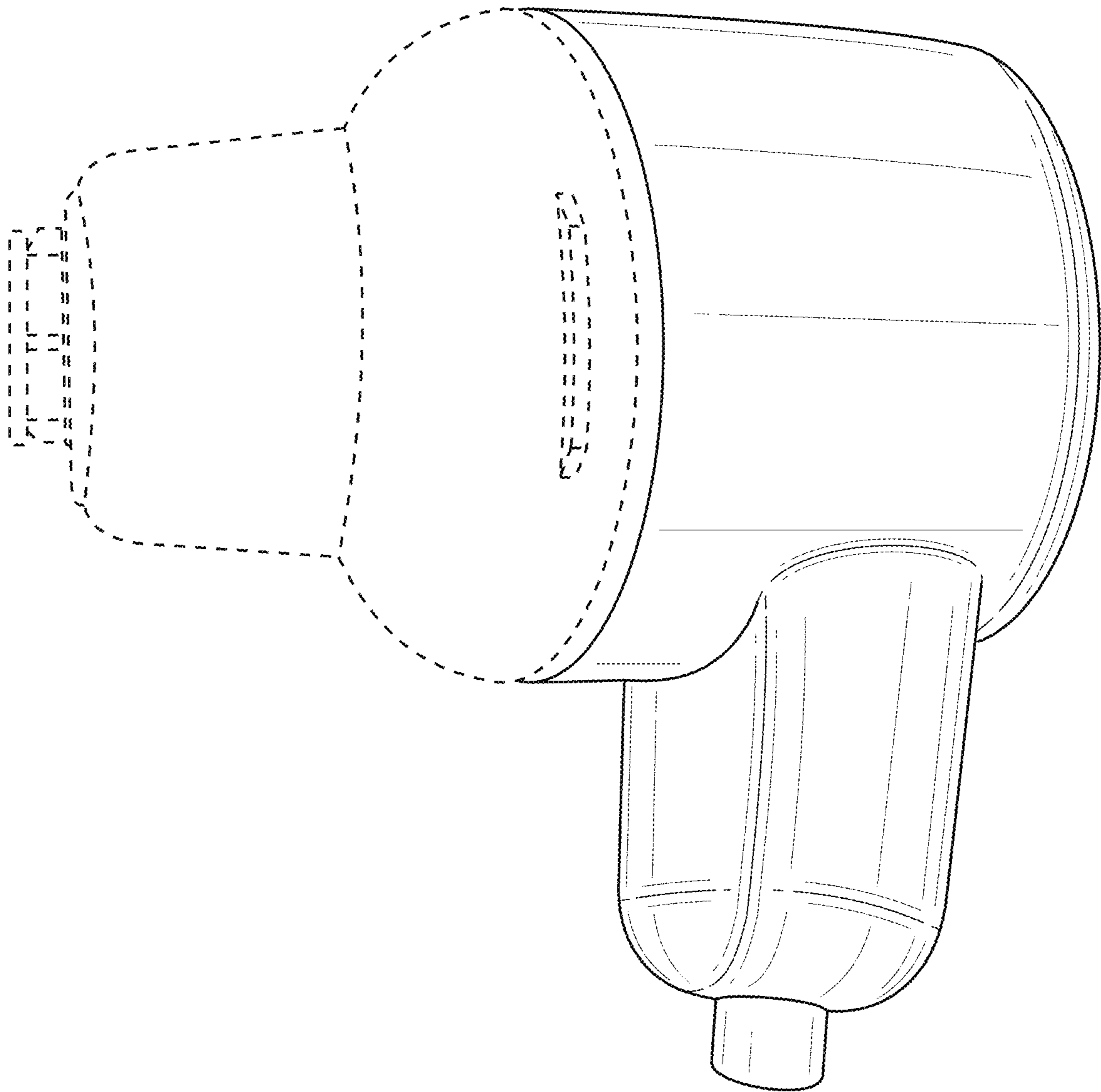


FIG. 4

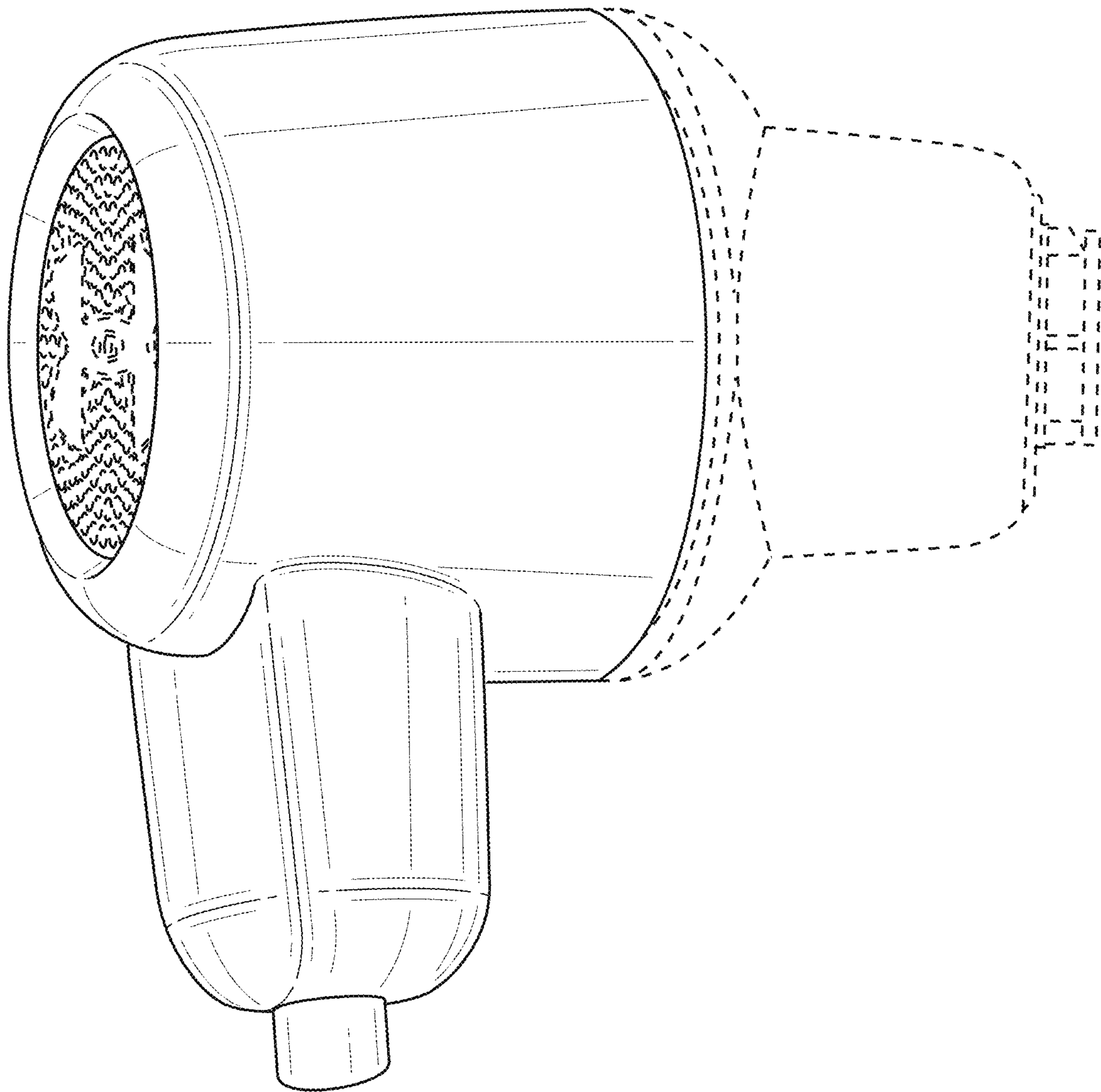


FIG. 5

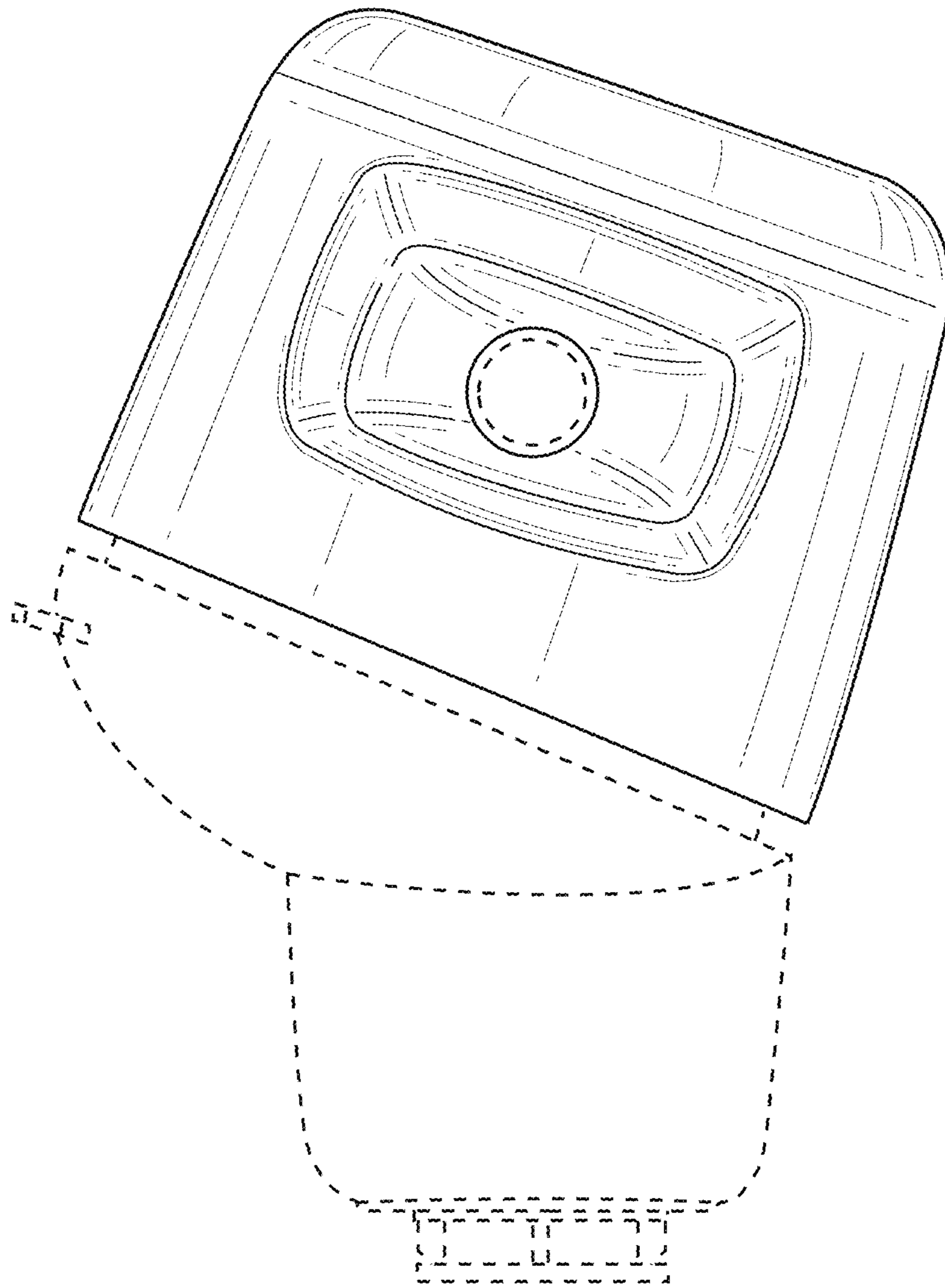


FIG. 6

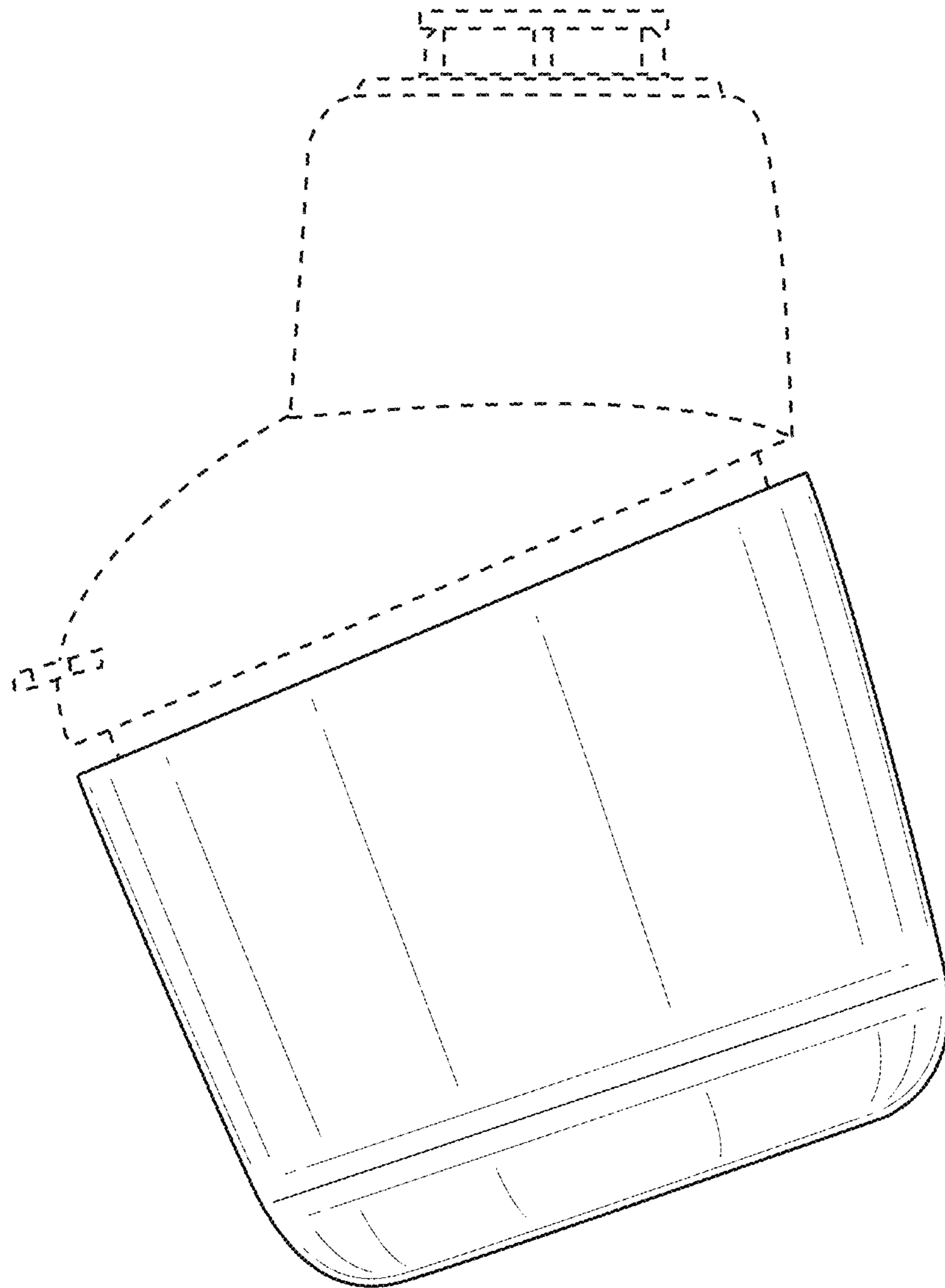


FIG. 7