



US00D806056S

(12) **United States Design Patent**
Fay et al.

(10) **Patent No.:** **US D806,056 S**

(45) **Date of Patent:** **** Dec. 26, 2017**

- (54) **LOUDSPEAKER HOUSING**
- (71) Applicant: **Harman International Industries, Incorporated**, Northridge, CA (US)
- (72) Inventors: **Jeffery Fay**, Farmington Hills, MI (US); **Tomas DeLuna**, Detroit, MI (US); **Royce Channey**, Detroit, MI (US)
- (73) Assignee: **Harman International Industries, Incorporated**, Northridge, CA (US)

- D164,121 S * 7/1951 MacDonald D14/210
- D321,636 S * 11/1991 Ciciliot D8/14
- D510,573 S * 10/2005 Brimhall D14/215
- D532,409 S * 11/2006 Yu D14/214
- D537,951 S * 3/2007 Okamoto D24/233
- D538,262 S * 3/2007 Chen D14/214
- 7,284,637 B2 * 10/2007 Abe B60R 11/0217
181/156
- D577,004 S * 9/2008 Lim D14/211
- D580,909 S * 11/2008 Kokkonen D14/188
- D598,551 S * 8/2009 Miwa D24/186
- D602,934 S * 10/2009 Cao D14/356

(Continued)

- (**) Term: **15 Years**
- (21) Appl. No.: **29/580,215**
- (22) Filed: **Oct. 6, 2016**
- (51) **LOC (10) Cl.** **14-01**
- (52) **U.S. Cl.**
USPC **D14/214**
- (58) **Field of Classification Search**
USPC D14/168, 188, 194, 195, 196, 204, 210,
D14/211, 212, 213, 214, 215, 216, 217,
D14/221, 222, 223, 224
CPC B60R 11/0217; G06F 1/1688; G10K 9/22;
G10K 11/004; H03F 1/327; H04M 1/03;
H04M 1/035; H04N 5/642; H04N
21/4852; H04S 3/00; H04S 7/30; H04R
1/02; H04R 1/06; H04R 1/021; H04R
1/025; H04R 1/026; H04R 1/028; H04R
1/105; H04R 1/323; H04R 1/403; H04R
1/2803; H04R 1/2834; H04R 5/02; H04R
7/20; H04R 9/06; H04R 9/025; H04R
2201/021; H04R 2400/00; H04R 2400/07;
H04R 2499/11; H04R 2499/13; H04R
2499/15

See application file for complete search history.

(56) **References Cited**

U.S. PATENT DOCUMENTS

- D103,708 S * 3/1937 Cardoza D14/194
- D108,977 S * 3/1938 Kamin D14/195

OTHER PUBLICATIONS

Poor Audiophile—Prime Elevation Speakers, announced Oct. 3, 2016 [online], [site visited Jul. 21, 2017]. Available from internet, URL: <<https://pooraudiophile.com/2016/10/svs-launches-prime-elevation-speakers.html>>.*

Primary Examiner — Keli L Hill

Assistant Examiner — Karra S Johnson

(74) *Attorney, Agent, or Firm* — Plumsea Law Group, LLC

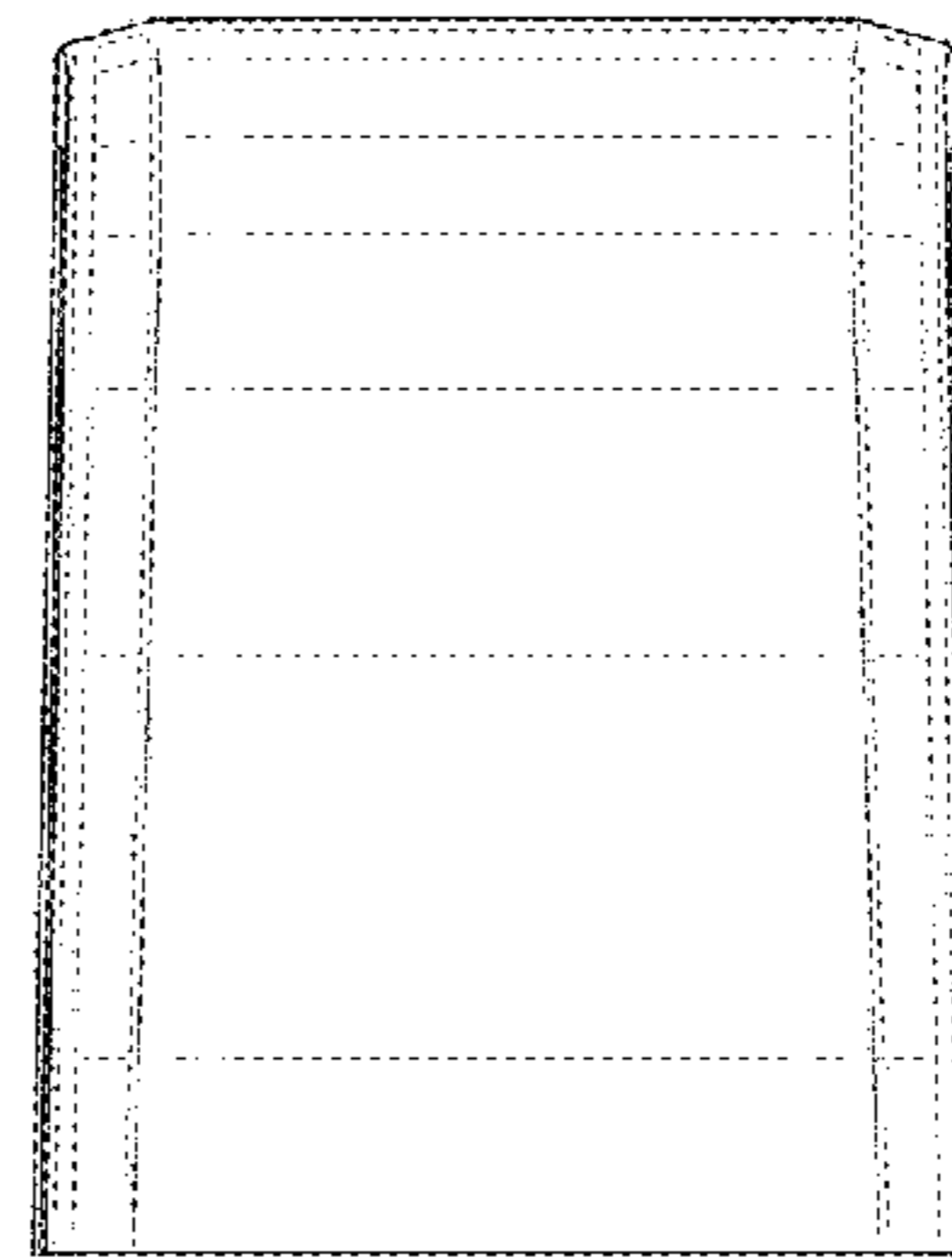
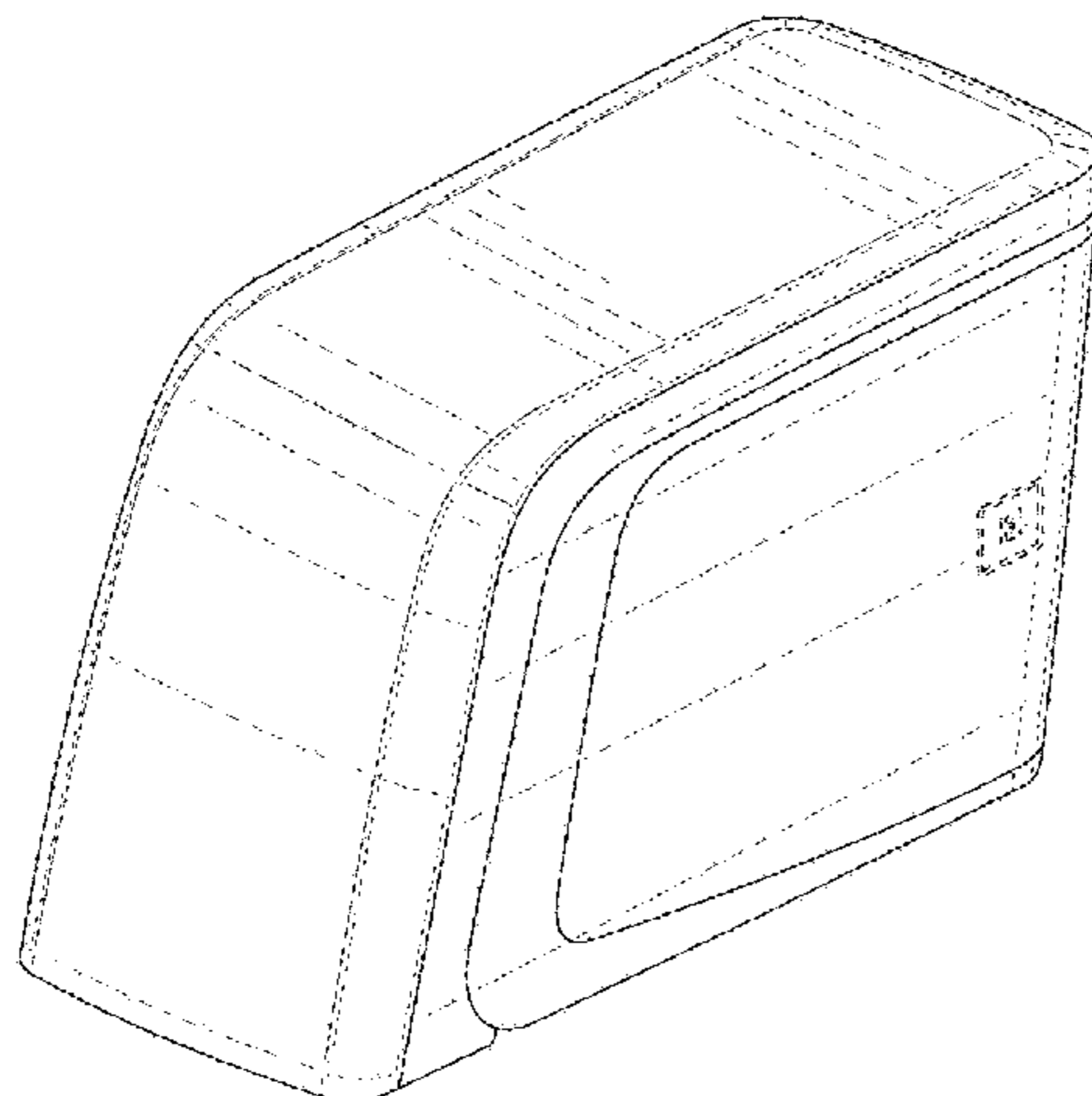
(57) **CLAIM**

The ornamental design for a loudspeaker housing, as shown and described.

DESCRIPTION

FIG. 1 is a perspective view of a loudspeaker housing showing our new design;
FIG. 2 is a front elevation view thereof;
FIG. 3 is a rear elevation view thereof;
FIG. 4 is a side elevation view thereof;
FIG. 5 is a side elevation view of the opposite side thereof;
FIG. 6 is a top plan view thereof; and,
FIG. 7 is a bottom plan view thereof.
The broken line showings form no part of the claimed design.

1 Claim, 7 Drawing Sheets



(56)

References Cited

U.S. PATENT DOCUMENTS

D604,732 S	*	11/2009	Sun	D14/349
D675,267 S	*	1/2013	Jamison, Jr.	D21/686
D679,678 S	*	4/2013	Uesugi	D14/213
D683,719 S	*	6/2013	Onoue	D14/212
D689,193 S	*	9/2013	Shinohara	D24/216
D753,311 S	*	4/2016	Long	D24/186
D788,069 S	*	5/2017	Pineau	D14/204

* cited by examiner

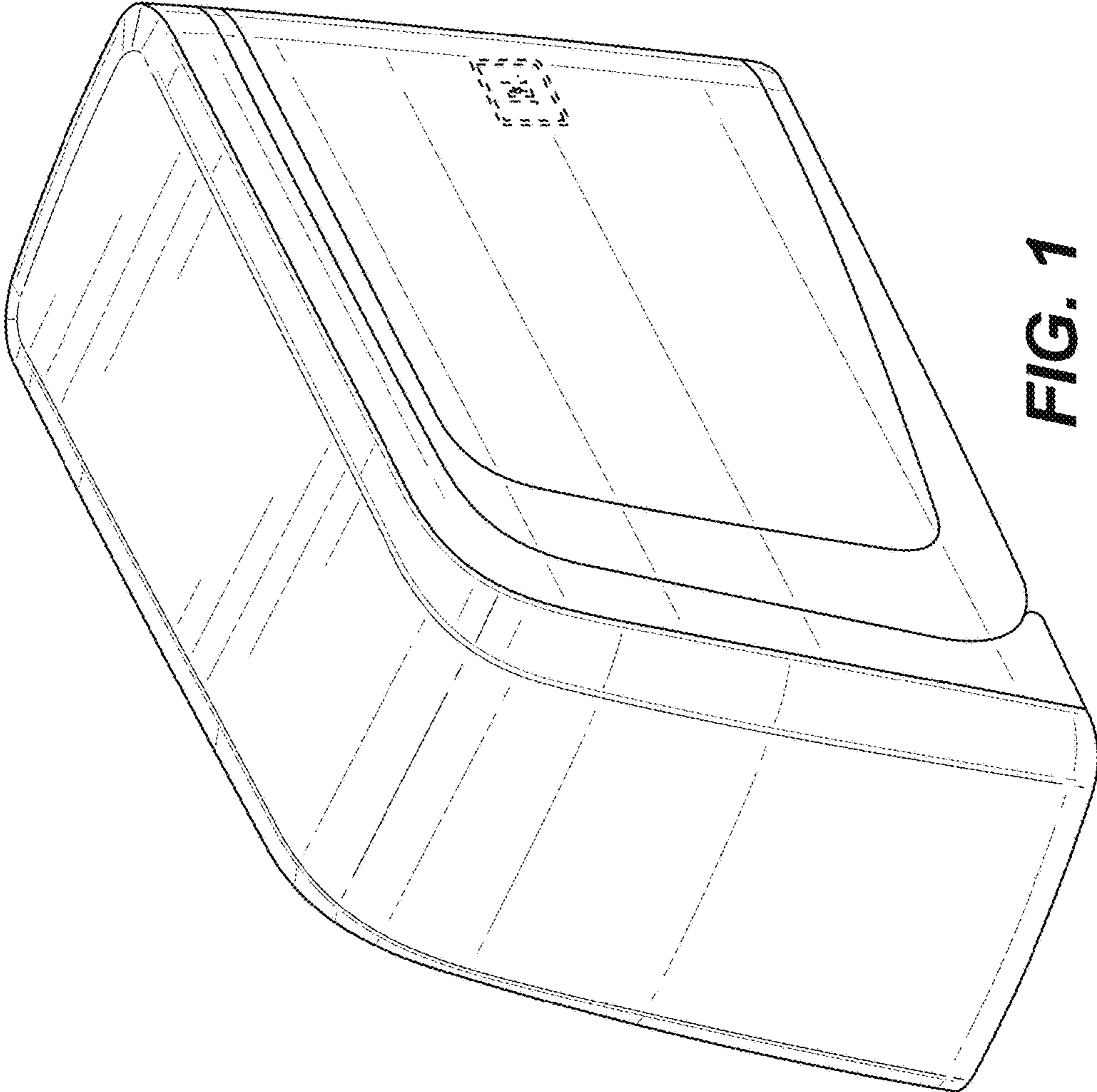


FIG. 1

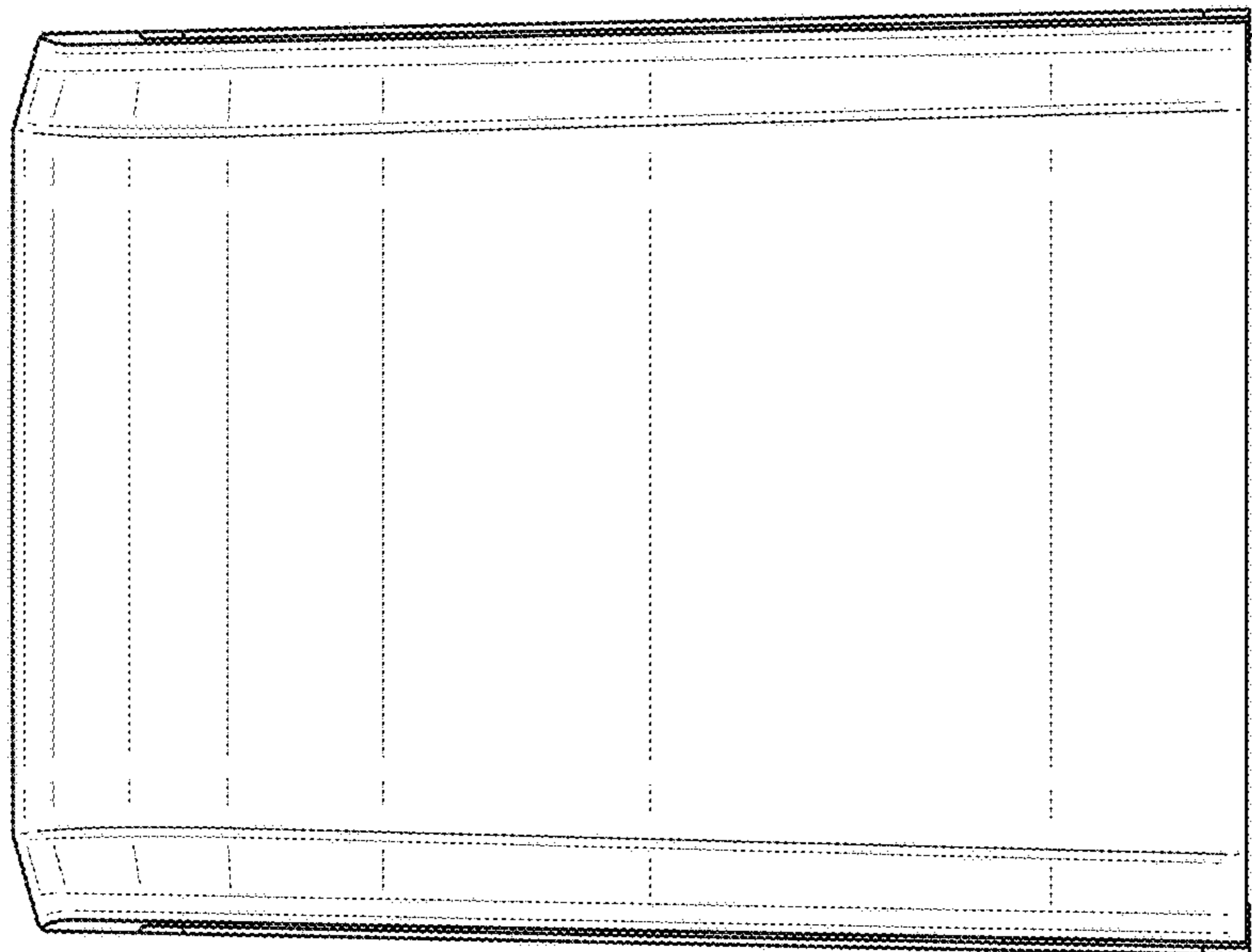


FIG. 2

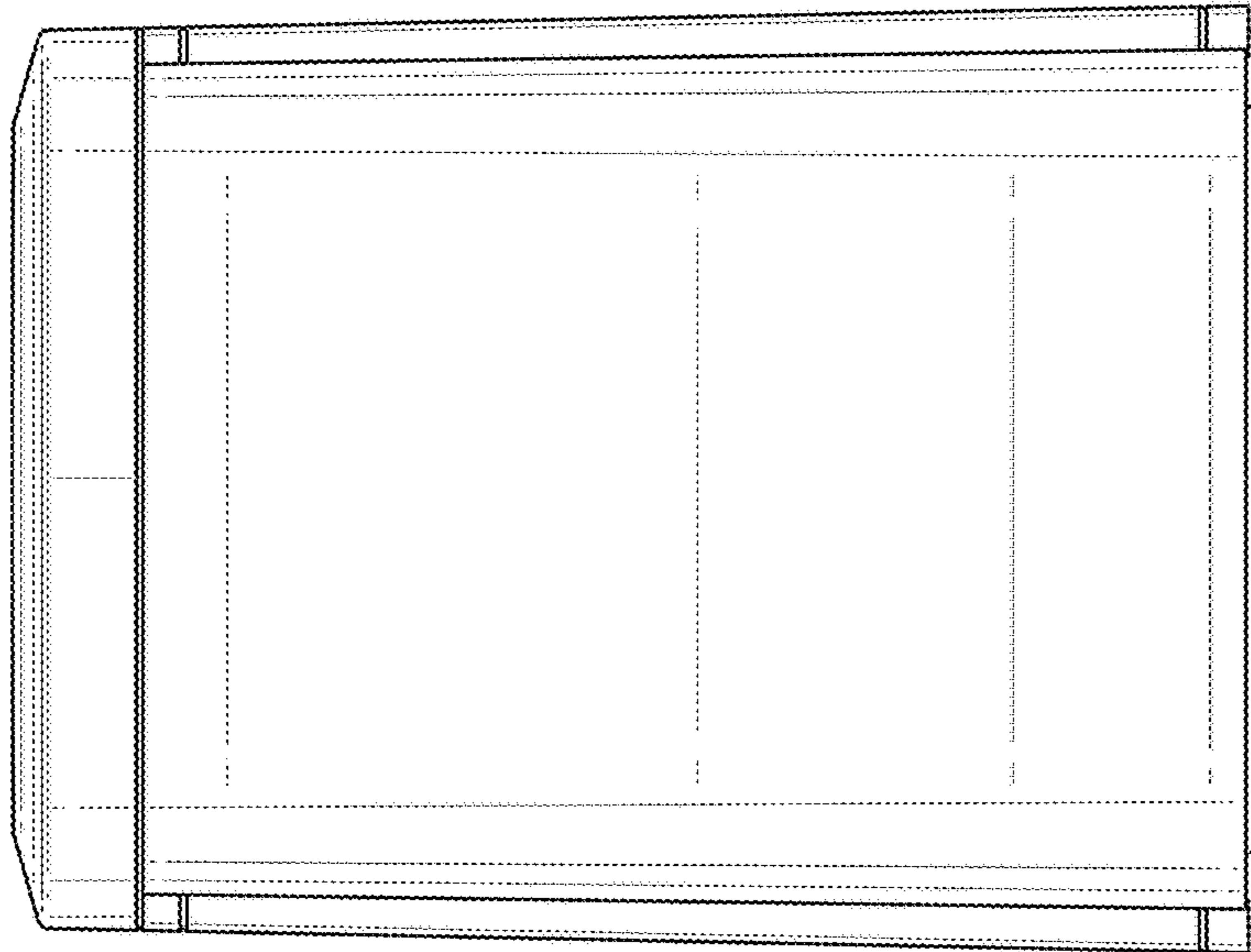


FIG. 3

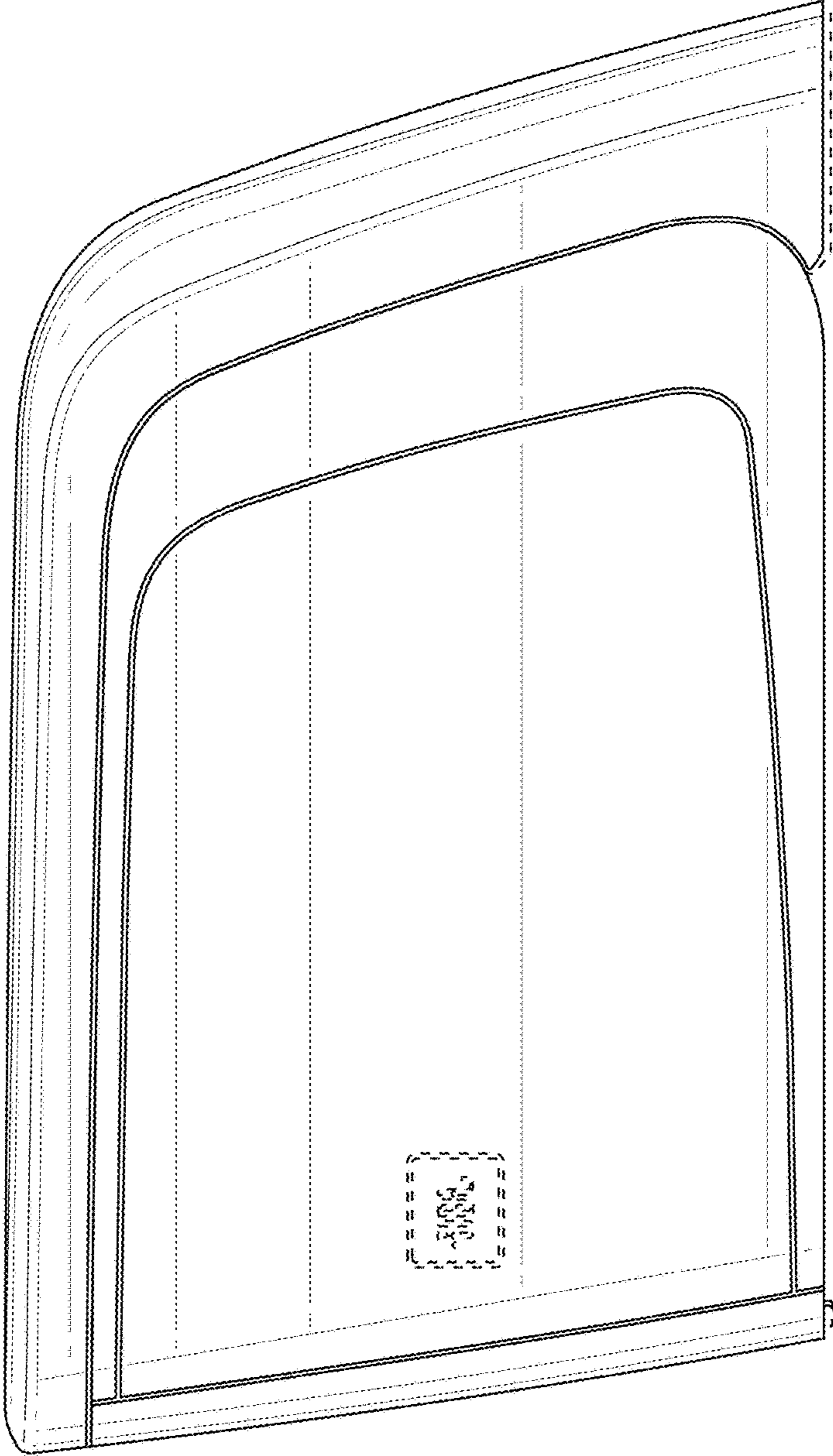


FIG. 4

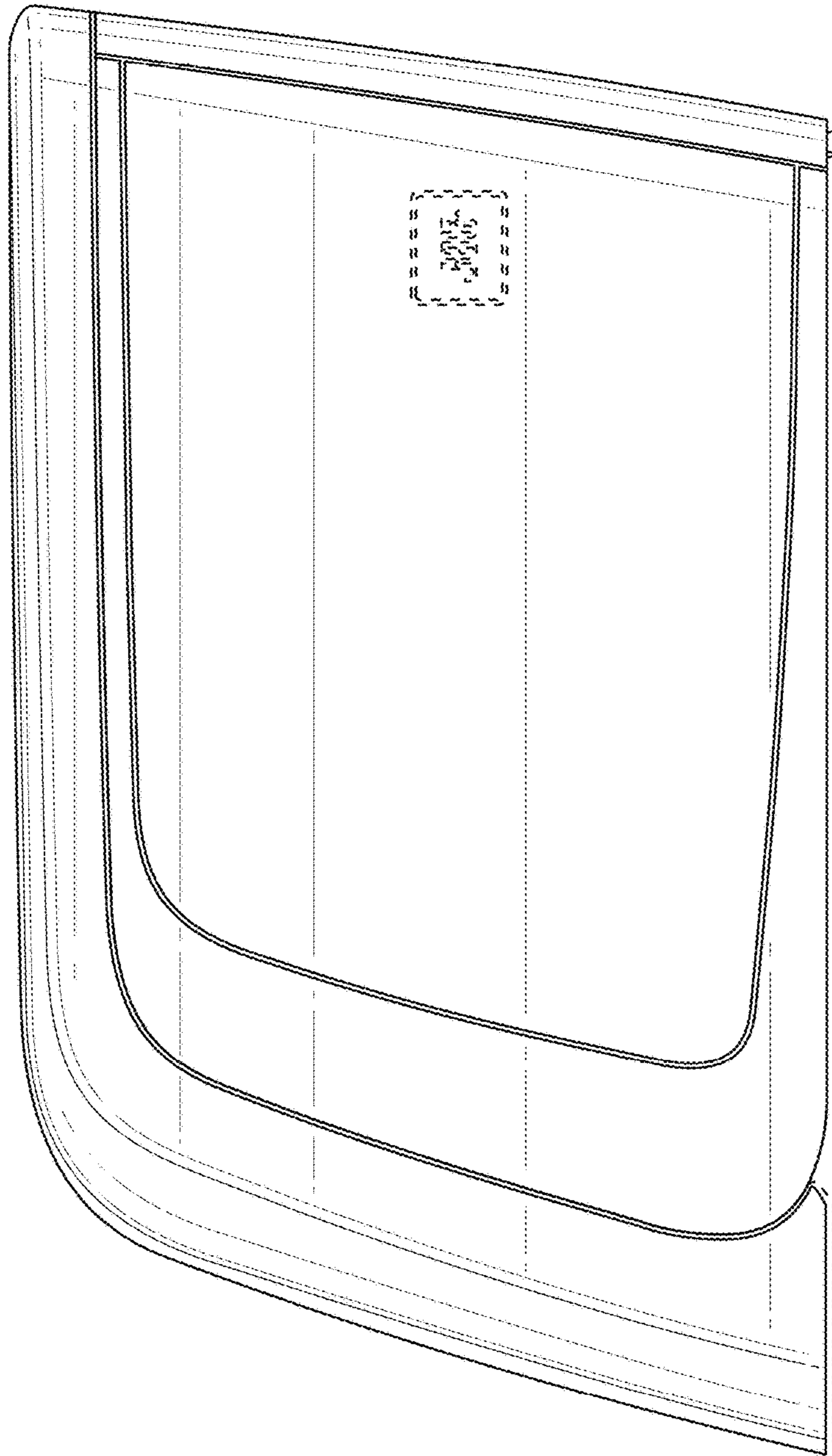


FIG. 5

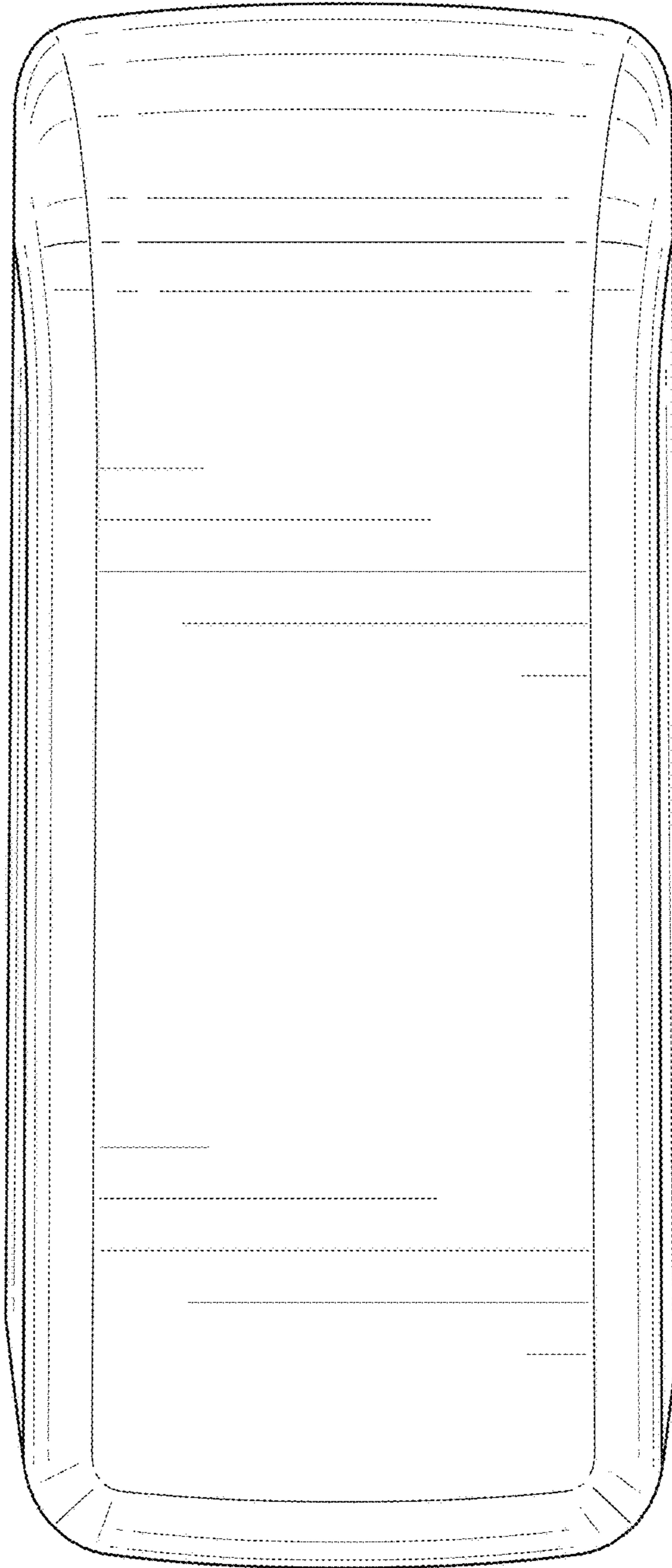


FIG. 6

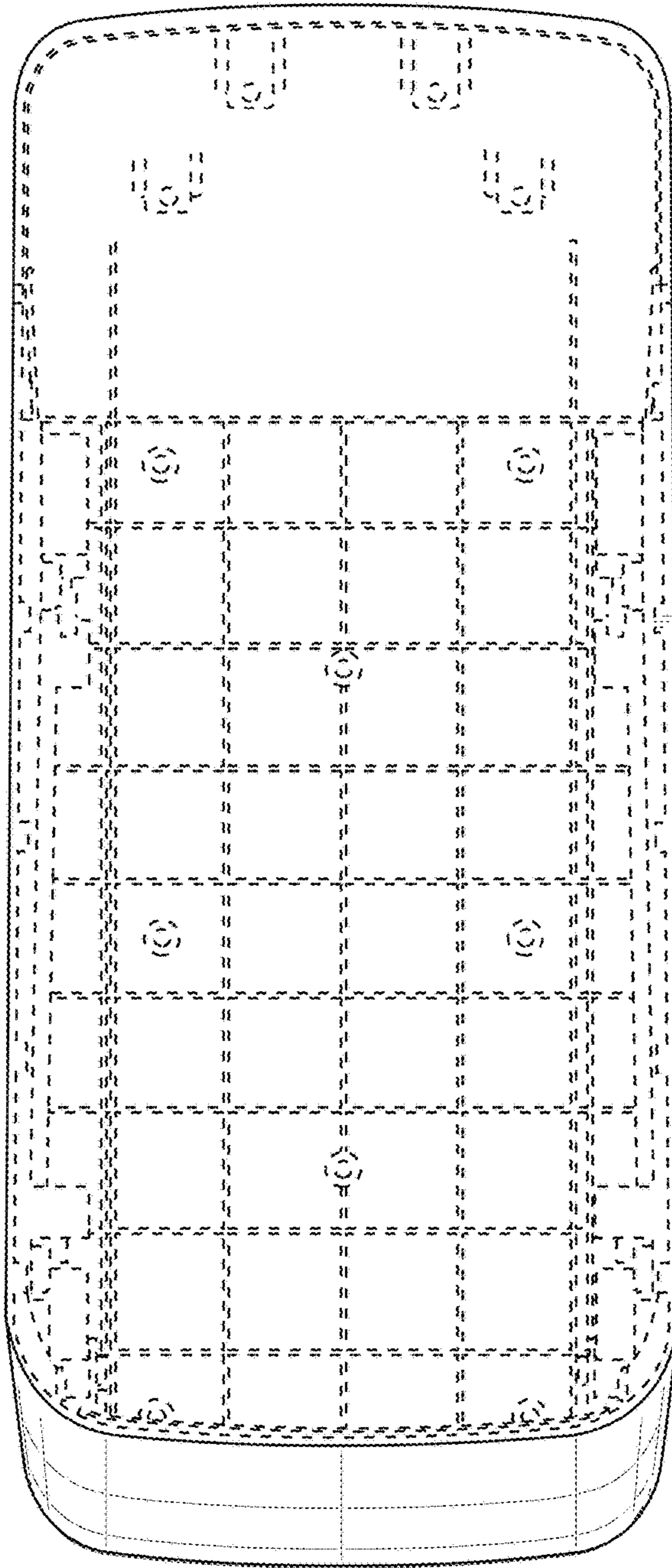


FIG. 7