



US00D806054S

(12) **United States Design Patent**
Degraye et al.

(10) **Patent No.:** **US D806,054 S**
(45) **Date of Patent:** **** Dec. 26, 2017**

- (54) **HEAD PHONE**
- (71) Applicants: **Timothy Degraye**, Geneva (CH);
Liliane Huguet, Geneva (CH)
- (72) Inventors: **Timothy Degraye**, Geneva (CH);
Liliane Huguet, Geneva (CH)
- (73) Assignee: **HED TECHNOLOGIES SARL**,
Geneva (CH)
- (**) Term: **15 Years**
- (21) Appl. No.: **29/575,628**
- (22) Filed: **Aug. 26, 2016**
- (51) **LOC (10) Cl.** **14-01**
- (52) **U.S. Cl.**
USPC **D14/205**
- (58) **Field of Classification Search**
USPC D14/205; D29/112; 2/209; 181/129,
181/130, 135; 379/430, 431; 381/380,
381/381, 370, 372, 373, 376, 382, 383;
455/90.3, 575.1, 569.1
CPC H04R 3/12; H04R 1/1041; H04R 1/1066;
H04R 1/1016; H04R 5/033; H04R
5/0335; H04R 25/00; H04R 25/02; H04R
1/10
See application file for complete search history.

- 4,821,318 A * 4/1989 Wu H04M 1/05
379/430
- 5,018,599 A * 5/1991 Dohi H04R 1/1008
181/129
- 5,113,428 A * 5/1992 Fitzgerald H04B 1/3816
379/430
- D346,380 S * 4/1994 Fitzgerald D14/138 R
- D358,389 S * 5/1995 Isono D14/205
- 5,551,089 A * 9/1996 Whidden A61F 11/14
128/866
- D375,825 S * 11/1996 Whidden D2/866
- D386,181 S * 11/1997 Fisher D14/192
- 5,835,609 A * 11/1998 LeGette A61F 11/14
2/209
- 6,263,085 B1 * 7/2001 Weffer H04R 5/033
379/430
- 6,499,146 B2 * 12/2002 Bavetta A41D 13/05
2/183
- 6,888,950 B2 * 5/2005 Siskin A61F 11/14
181/129
- D512,981 S * 12/2005 Jacobson D14/205
- 7,072,483 B2 * 7/2006 Lenhard-Backhaus H04R 1/1066
381/370

(Continued)

Primary Examiner — Paula Allen Greene
(74) *Attorney, Agent, or Firm* — Porzio Bromberg &
Newman P.C.

(57) **CLAIM**

We claim, the ornamental design for head phone, as shown and described.

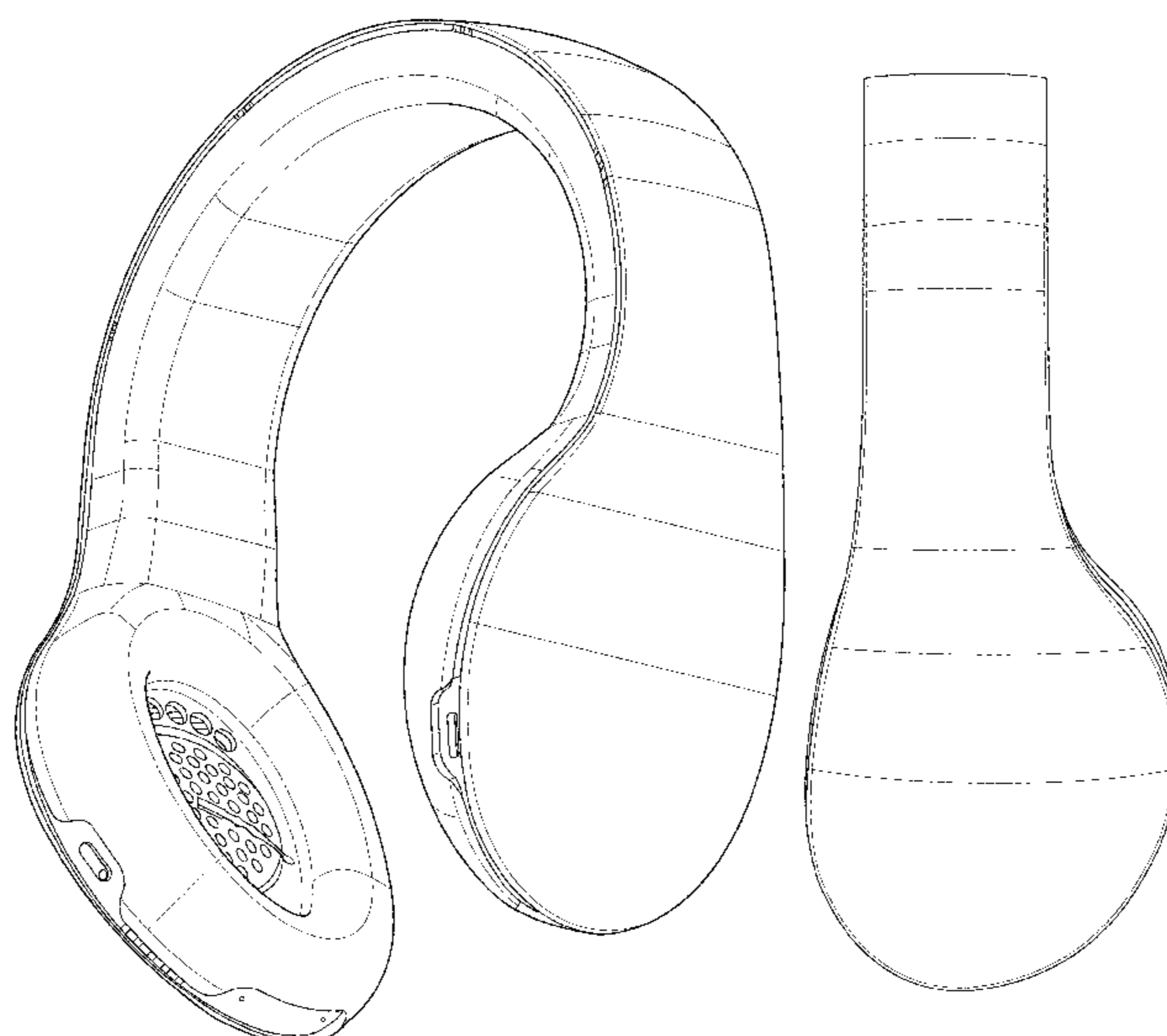
(56) **References Cited**
U.S. PATENT DOCUMENTS

- 2,508,642 A * 5/1950 Herrick H04M 1/03
379/433.01
- 3,249,949 A * 5/1966 Rosenberg A61F 11/06
2/209
- 3,829,624 A * 8/1974 Goodin H04R 1/1058
381/371
- 4,173,715 A * 11/1979 Gosman H04R 1/1058
181/129
- 4,403,120 A * 9/1983 Yoshimi H04R 1/1016
181/129

DESCRIPTION

FIG. 1 is a perspective view, showing our new design,
FIG. 2 is a rear view thereof,
FIG. 3 is a front view thereof,
FIG. 4 is a left side view thereof,
FIG. 5 is a right side view thereof,
FIG. 6 is a bottom view thereof; and,
FIG. 7 is a top view thereof.

1 Claim, 7 Drawing Sheets



(56)

References Cited

U.S. PATENT DOCUMENTS

D541,257 S *	4/2007	Thursfield	D14/205	D673,519 S *	1/2013	Tan	D14/205
7,212,645 B2 *	5/2007	Le Gette	H04R 1/06	D683,715 S *	6/2013	Triato	D14/204
				381/301	D684,139 S *	6/2013	Miyake	D14/205
7,424,125 B2 *	9/2008	Amae	H04R 5/0335	D691,984 S *	10/2013	Wang	D14/205
				381/370	D696,228 S *	12/2013	Miyake	D14/205
D579,000 S *	10/2008	Rath	D14/205	D699,702 S *	2/2014	Chen	D14/205
D585,870 S *	2/2009	Zheng	D14/205	D717,764 S *	11/2014	Lee	D14/205
D603,371 S *	11/2009	Boateng	D14/205	8,923,525 B2 *	12/2014	Saideh	H04R 1/1033
D604,269 S *	11/2009	Choe	D14/205					381/309
D632,668 S *	2/2011	Brunner	D14/205	D728,512 S *	5/2015	Nakagawa	D14/205
D633,471 S *	3/2011	Sugiyama	D14/205	D731,457 S *	6/2015	Brunner	D14/205
D635,958 S *	4/2011	Ando	D14/205	D732,000 S *	6/2015	Brunner	D14/205
D635,959 S *	4/2011	Hutchieson	D14/205	D736,741 S *	8/2015	Katz	D14/205
D656,480 S *	3/2012	McManigal	D14/205	D738,350 S *	9/2015	Brunner	D14/205
8,189,847 B2 *	5/2012	Huang	H04R 1/1075	D739,378 S *	9/2015	Chung	D14/205
				381/186	D742,357 S *	11/2015	Chung	D14/205
D663,716 S *	7/2012	Hardi	D14/205	D760,687 S *	7/2016	Brunner	D14/205
D664,114 S *	7/2012	Tsuchiya	D14/205	D783,572 S *	4/2017	Matthews	D14/205
D666,991 S *	9/2012	Lee	D14/205	D786,824 S *	5/2017	Hembrey	D14/205
D669,451 S *	10/2012	Tappeiner	D14/205	D791,103 S *	7/2017	Brunner	D14/205
D673,518 S *	1/2013	Tan	D14/205	D791,733 S *	7/2017	Brunner	D14/205
					D793,357 S *	8/2017	Afshar	D14/205
					2016/0241947 A1 *	8/2016	Degraye	H04R 3/12

* cited by examiner

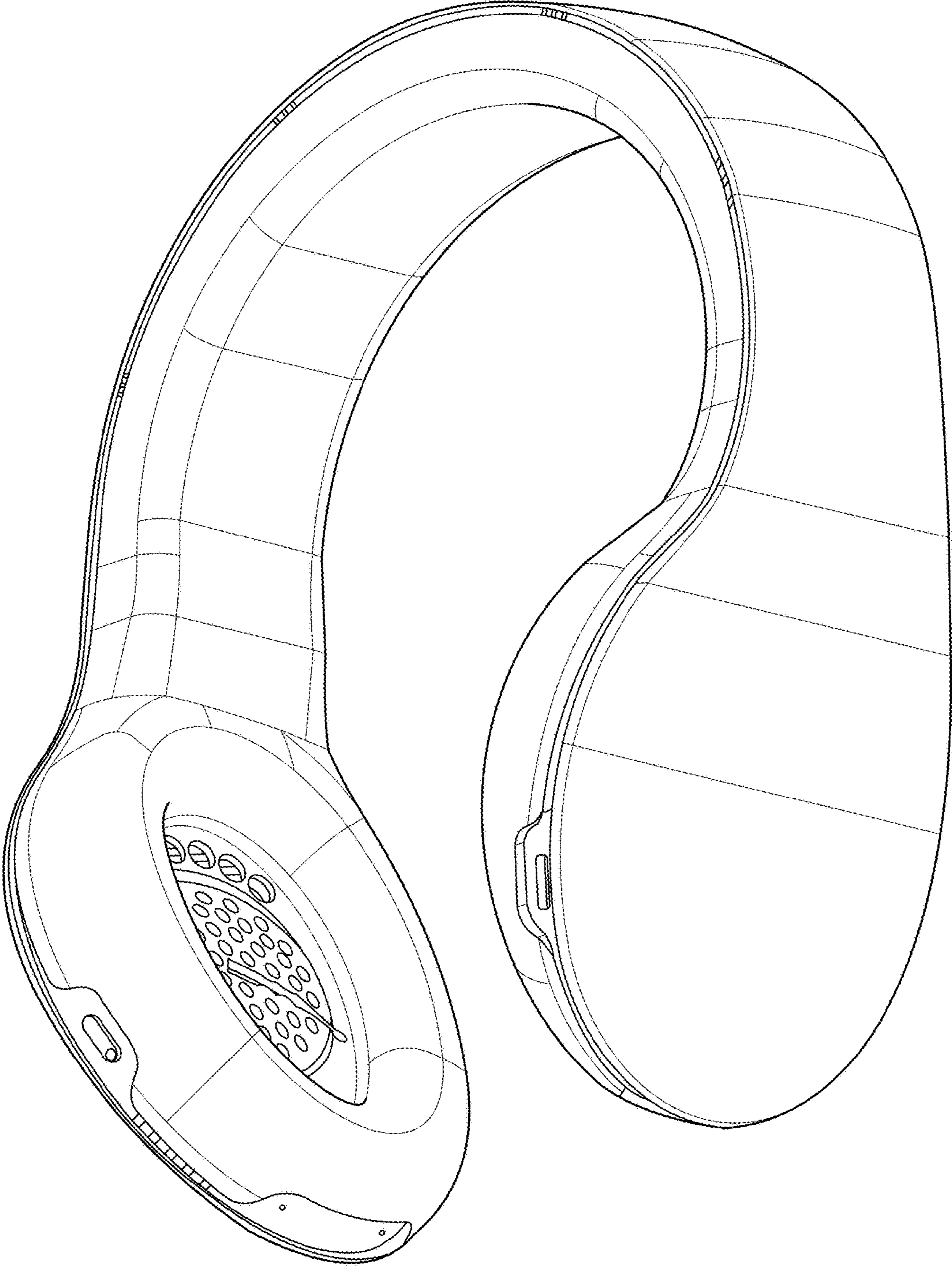


FIG. 1

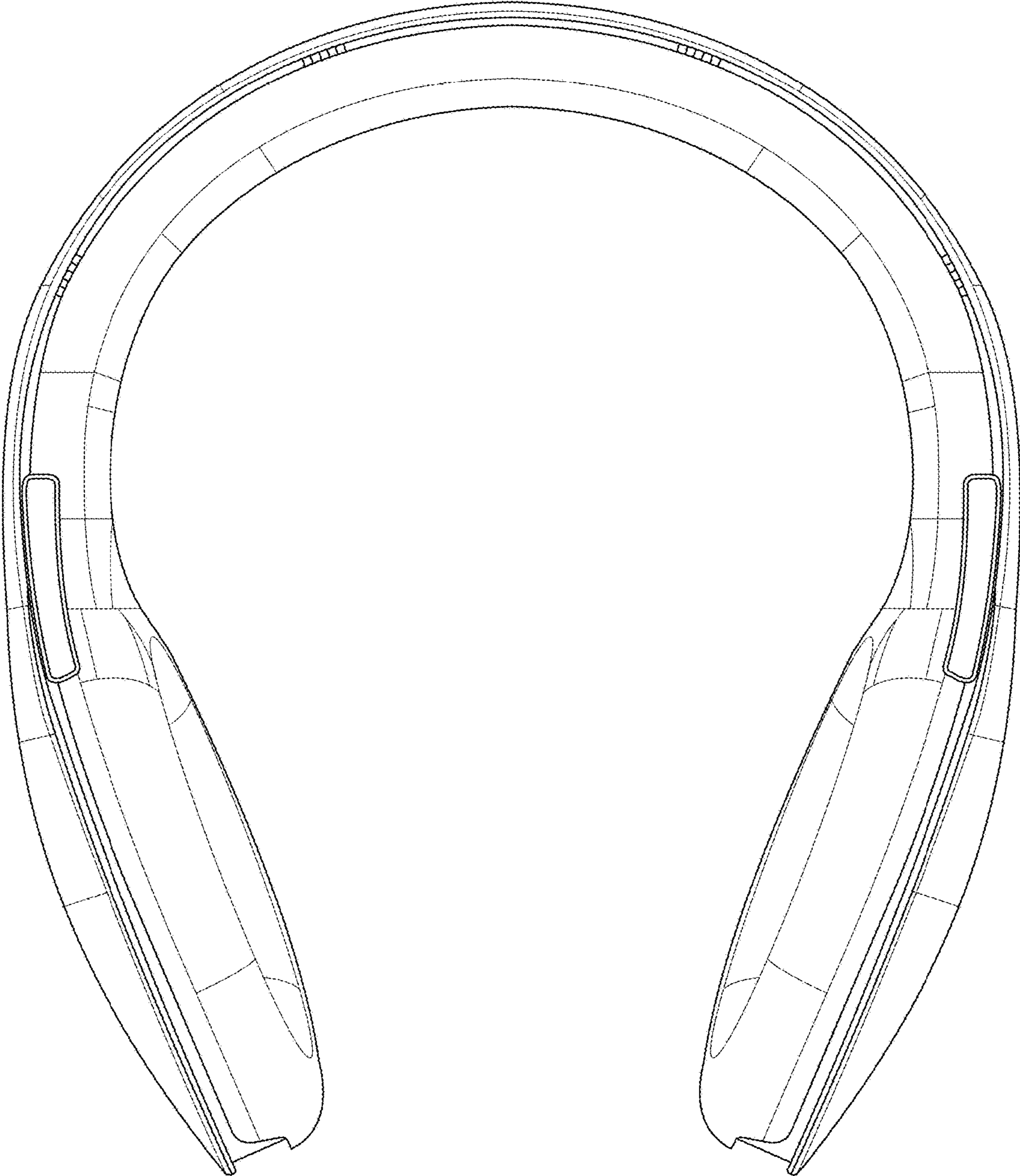


FIG. 2



FIG. 3

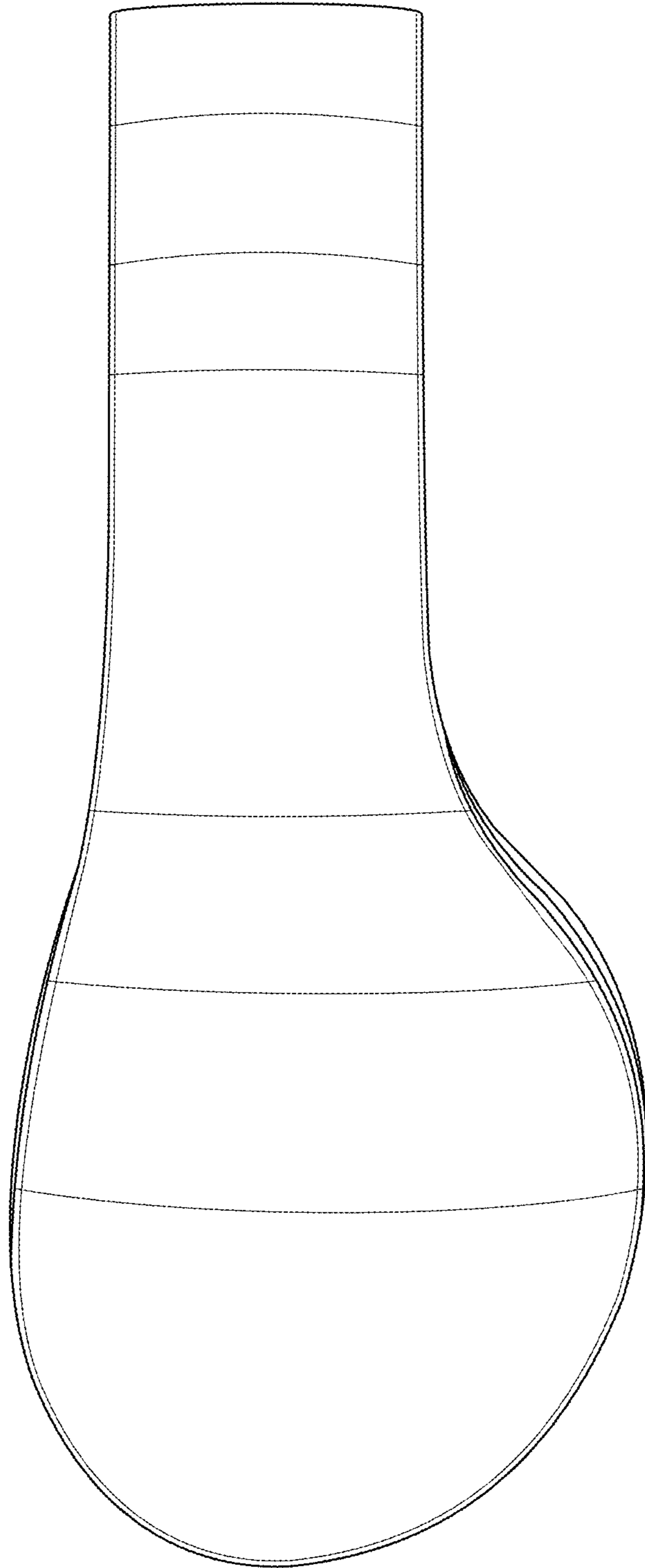


FIG. 4

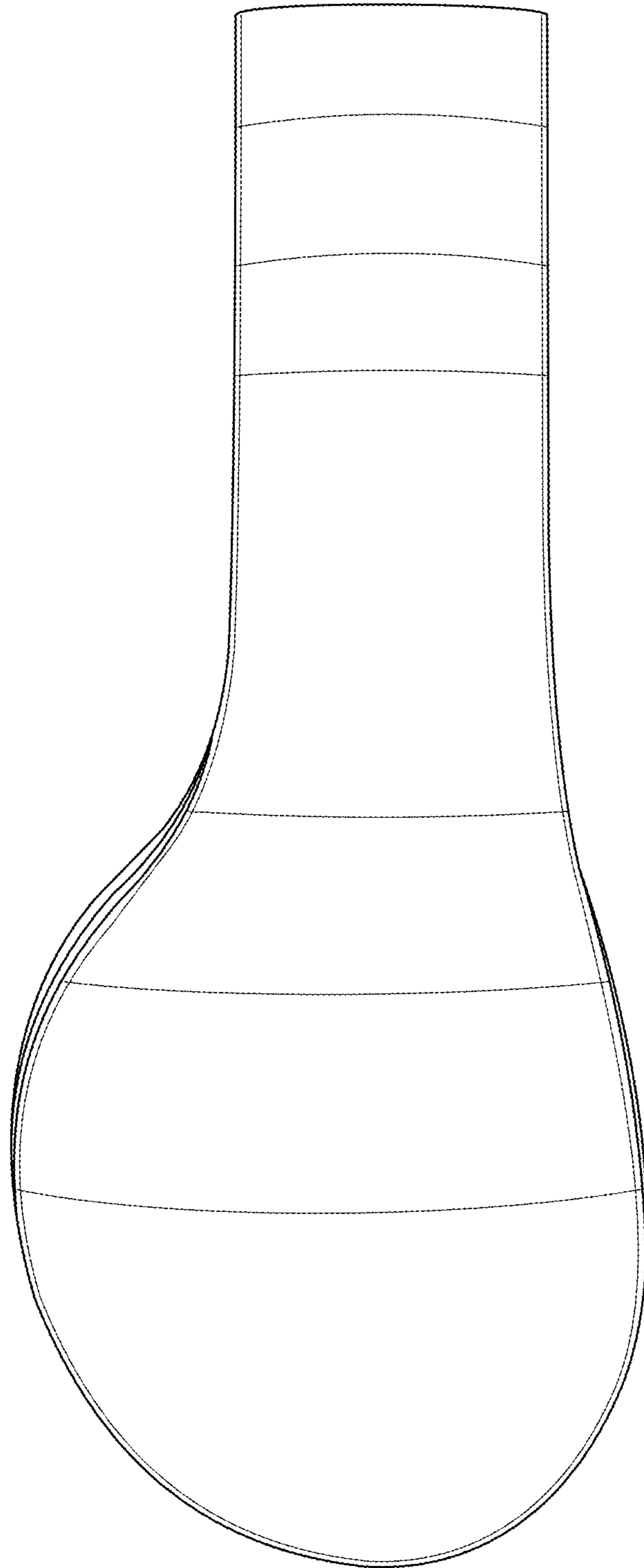


FIG. 5

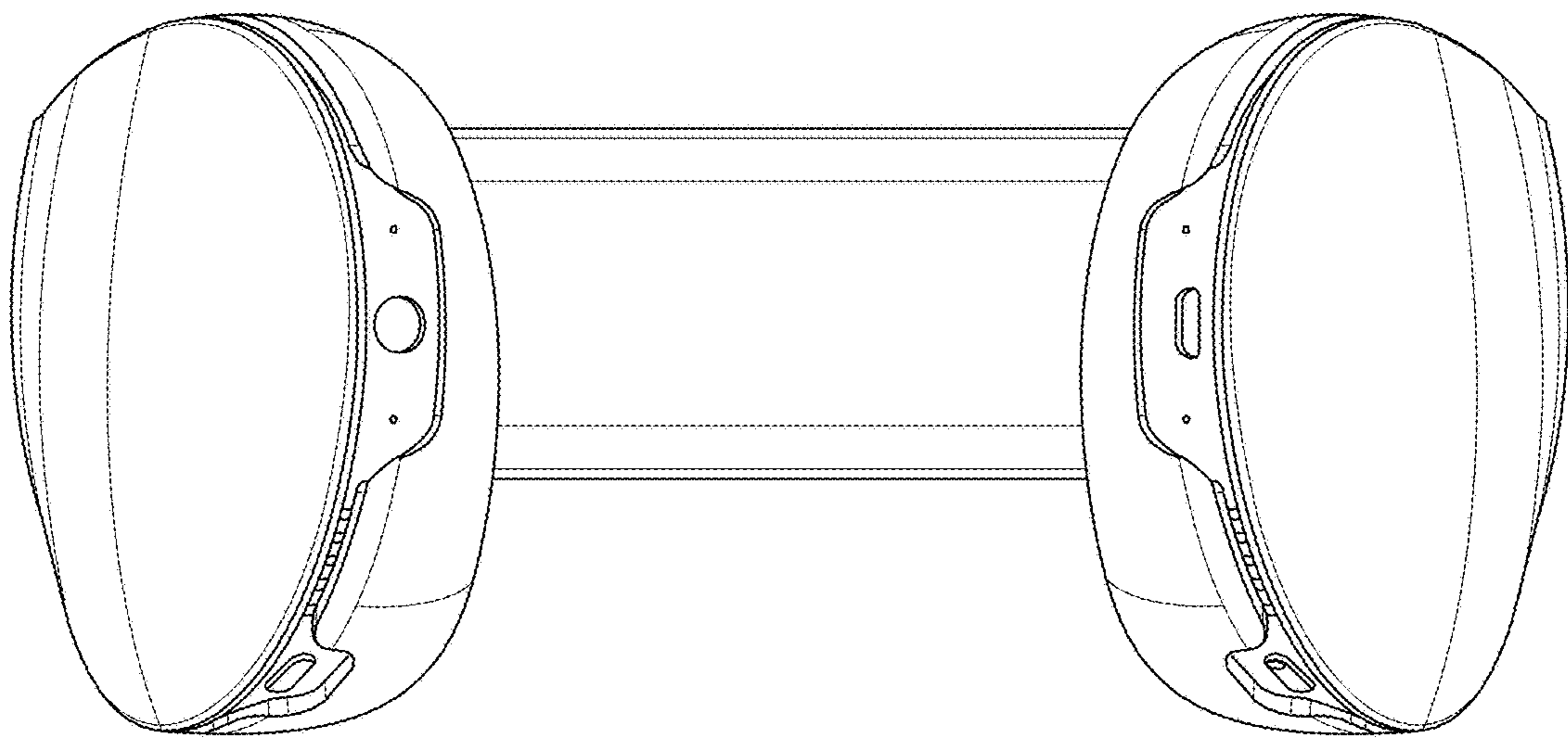


FIG. 6

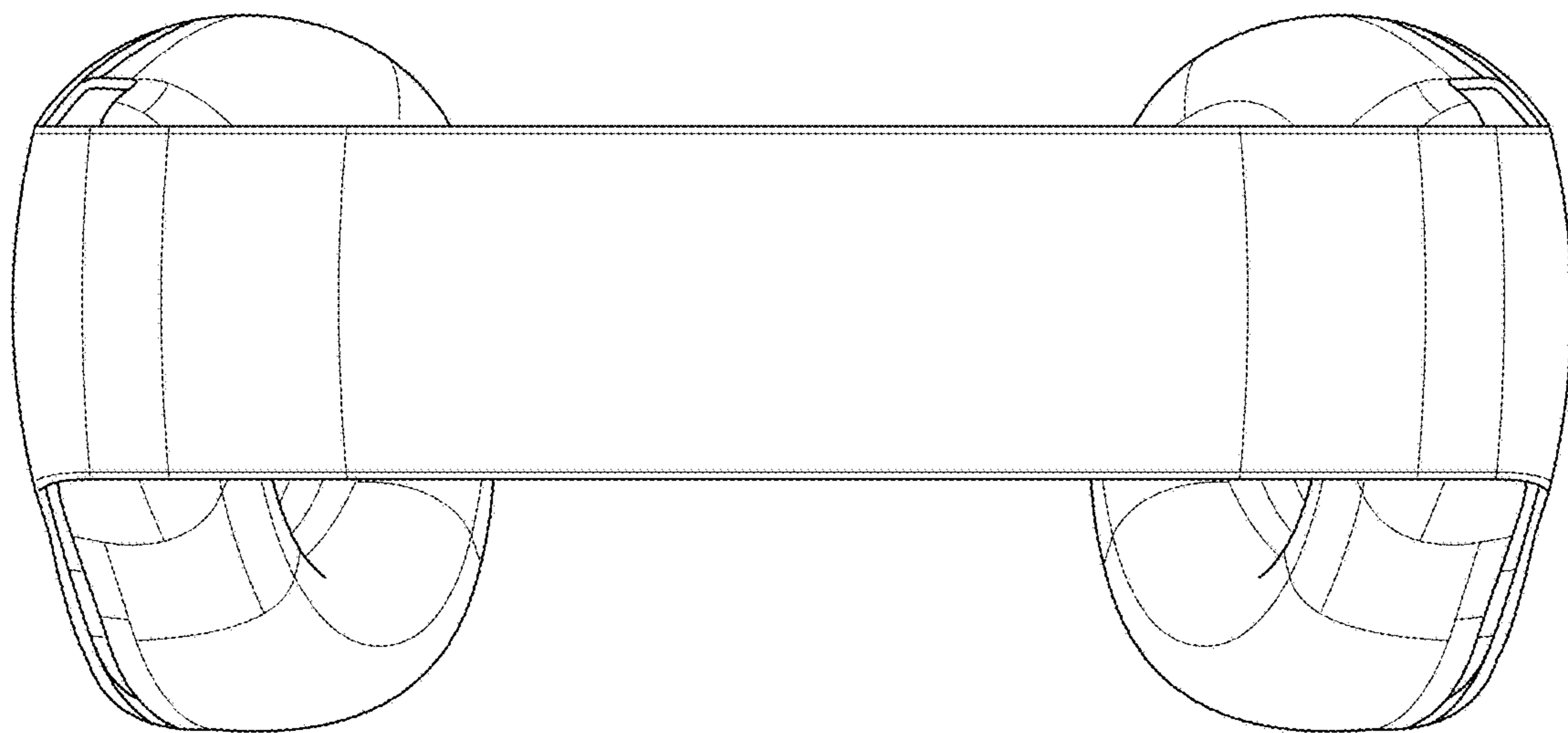


FIG. 7