



US00D806052S

(12) **United States Design Patent** (10) **Patent No.:** **US D806,052 S**
Pesdirz et al. (45) **Date of Patent:** **** *Dec. 26, 2017**

(54) **SPEAKER ENCLOSURE**
(71) Applicant: **Hogtunes Inc.**, Barrie (CA)
(72) Inventors: **Michael T. Pesdirz**, Barrie (CA);
Cameron A. Mitchell, Innisfil (CA)
(73) Assignee: **Hogtunes Inc.**, Barrie (CA)
(*) Notice: This patent is subject to a terminal disclaimer.
(**) Term: **15 Years**

D473,220 S * 4/2003 Smith D14/240
D473,221 S * 4/2003 Gargani D14/240
D490,752 S * 6/2004 Meyers D12/126
D513,248 S * 12/2005 Yang D14/204
D603,760 S * 11/2009 Gregory D12/114
D615,908 S * 5/2010 Ditterline D12/114
D625,708 S * 10/2010 Files D12/114
8,139,810 B2 * 3/2012 Armitage B60R 11/0217
381/389
D681,036 S * 4/2013 Taunay da Graca
Couto D14/385
D699,708 S * 2/2014 Files D12/114
D699,709 S * 2/2014 Files D12/114
2009/0296956 A1 * 12/2009 Gregory B62J 99/00
381/86

(21) Appl. No.: **29/528,192**
(22) Filed: **May 27, 2015**
(51) **LOC (10) Cl.** **14-01**
(52) **U.S. Cl.**
USPC **D14/204**
(58) **Field of Classification Search**
USPC D12/114, 126, 407, 409, 410, 415;
D14/167, 168, 170-172, 188, 203.6, 204,
D14/209.1, 210-213, 215, 216, 219, 221,
D14/222, 224, 509; 180/90, 219;
181/144, 148, 153, 157, 198; 280/288.4;
296/37.1, 70; 369/6-12; 381/301-303,
381/306, 332, 334, 336, 345, 361-363,
381/386-388
CPC B62J 1/00; B62J 1/18; B62J 9/006; G06F
1/1688; H04R 1/02; H04R 1/025; H04R
1/026; H04R 1/323; H04R 1/403; H04R
1/2803; H04R 1/2834; H04R 5/02; H04R
9/06
See application file for complete search history.

OTHER PUBLICATIONS

Design U.S. Appl. No. 29/488,261, filed Apr. 17, 2014, titled Speaker Enclosure.

* cited by examiner

Primary Examiner — Ian Simmons
Assistant Examiner — Janice Lim
(74) *Attorney, Agent, or Firm* — Warner Norcross & Judd LLP

(57) **CLAIM**

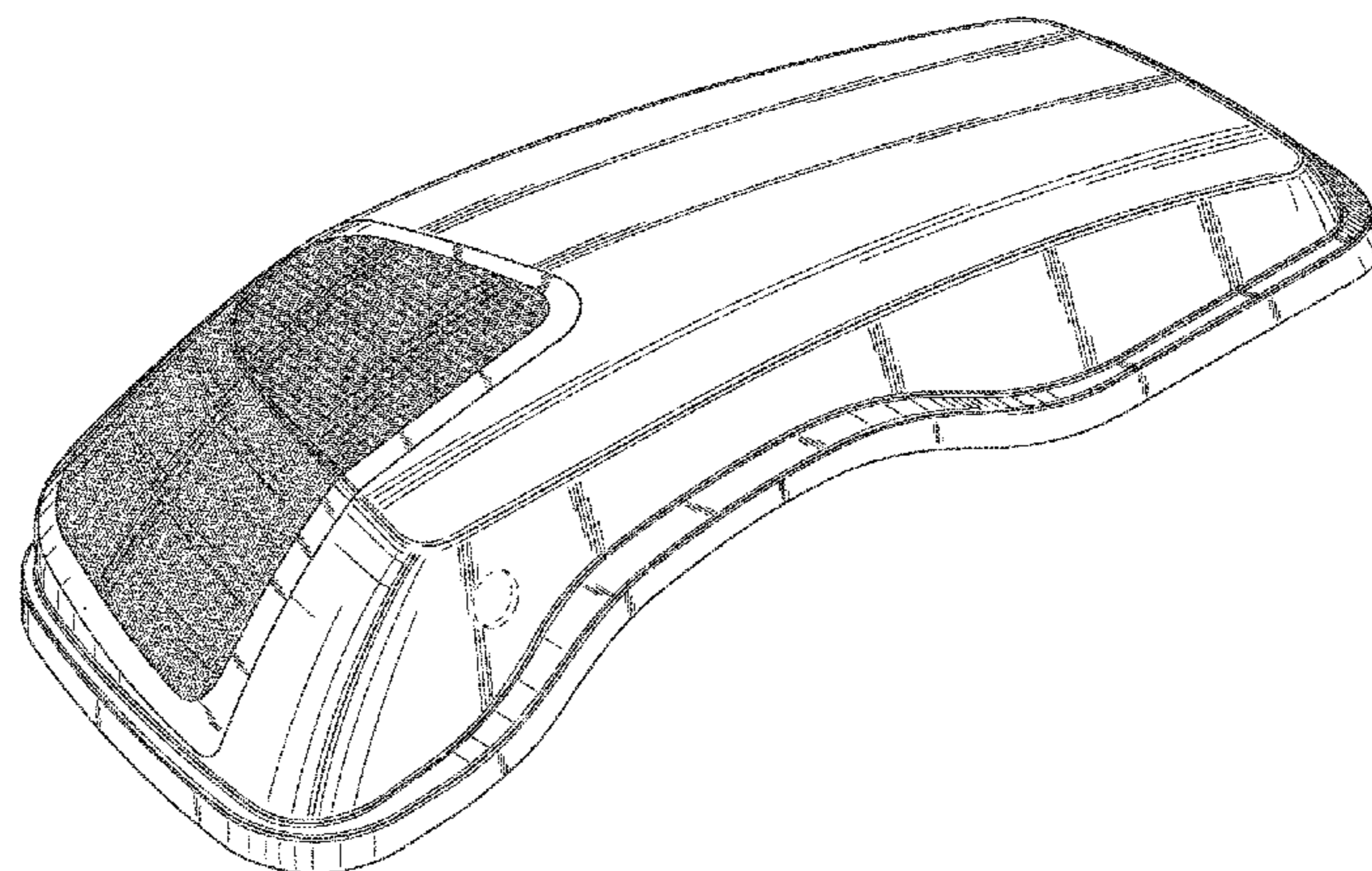
The ornamental design for a speaker enclosure, as shown and described.

DESCRIPTION

FIG. 1 is a perspective view of a speaker enclosure, shown in a reduced scale, showing our new design;
FIG. 2 is a top plan view thereof;
FIG. 3 is a bottom plan view thereof;
FIG. 4 is a front view thereof;
FIG. 5 is a rear view thereof;
FIG. 6 is a left side view thereof; and,
FIG. 7 is a right side view thereof.
The broken lines are included to show unclaimed subject matter and form no part of the claimed design.

1 Claim, 5 Drawing Sheets

(56) **References Cited**
U.S. PATENT DOCUMENTS
D414,186 S * 9/1999 Hogenbirk D10/116.1
D450,632 S * 11/2001 Morgan D12/114
D452,854 S * 1/2002 Silverstein D14/214
D461,748 S * 8/2002 Morgan D12/114
D462,676 S * 9/2002 Sodling D14/240



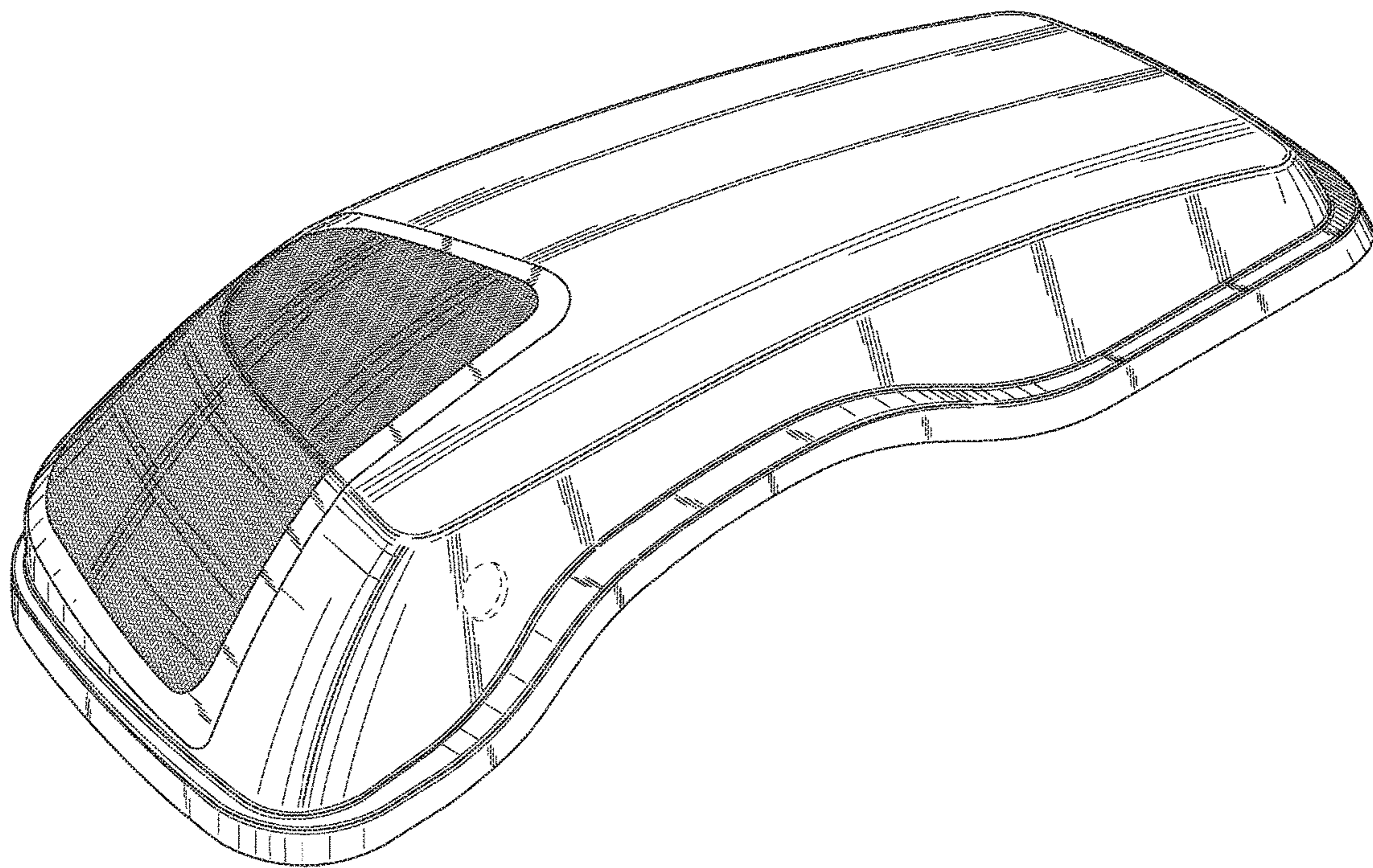


Fig. 1

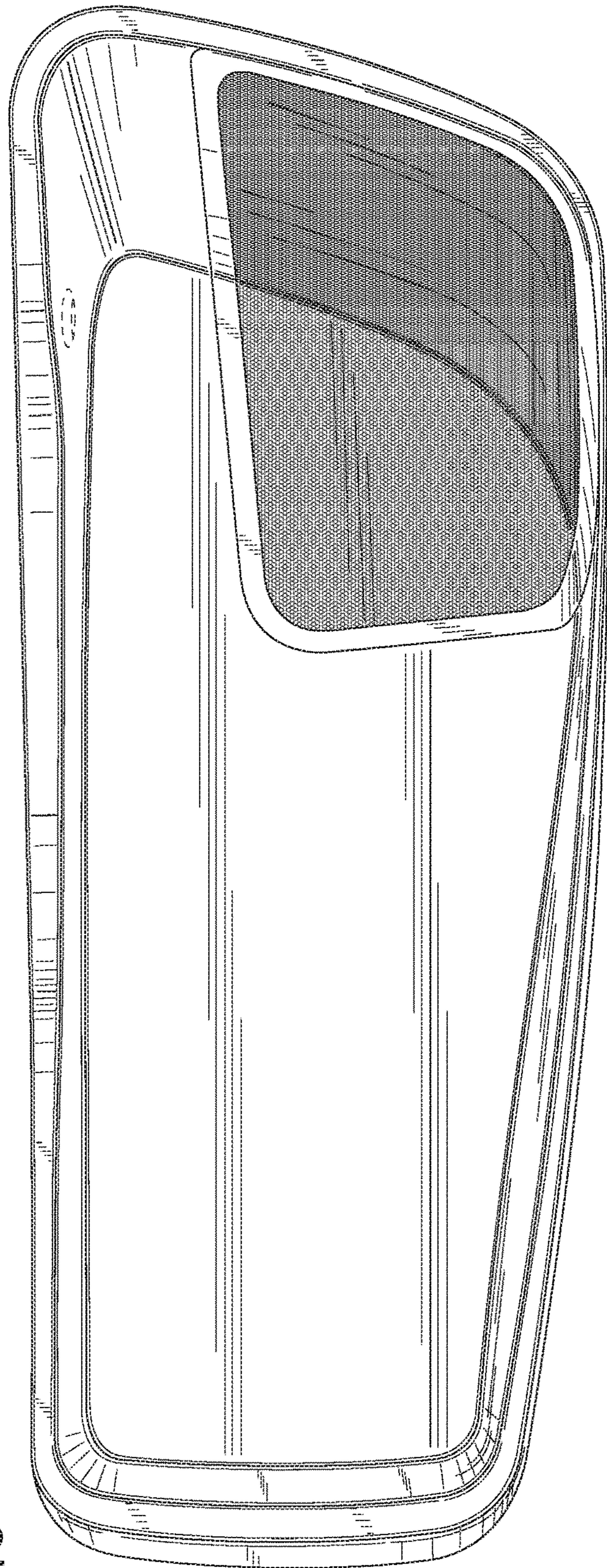


Fig. 2

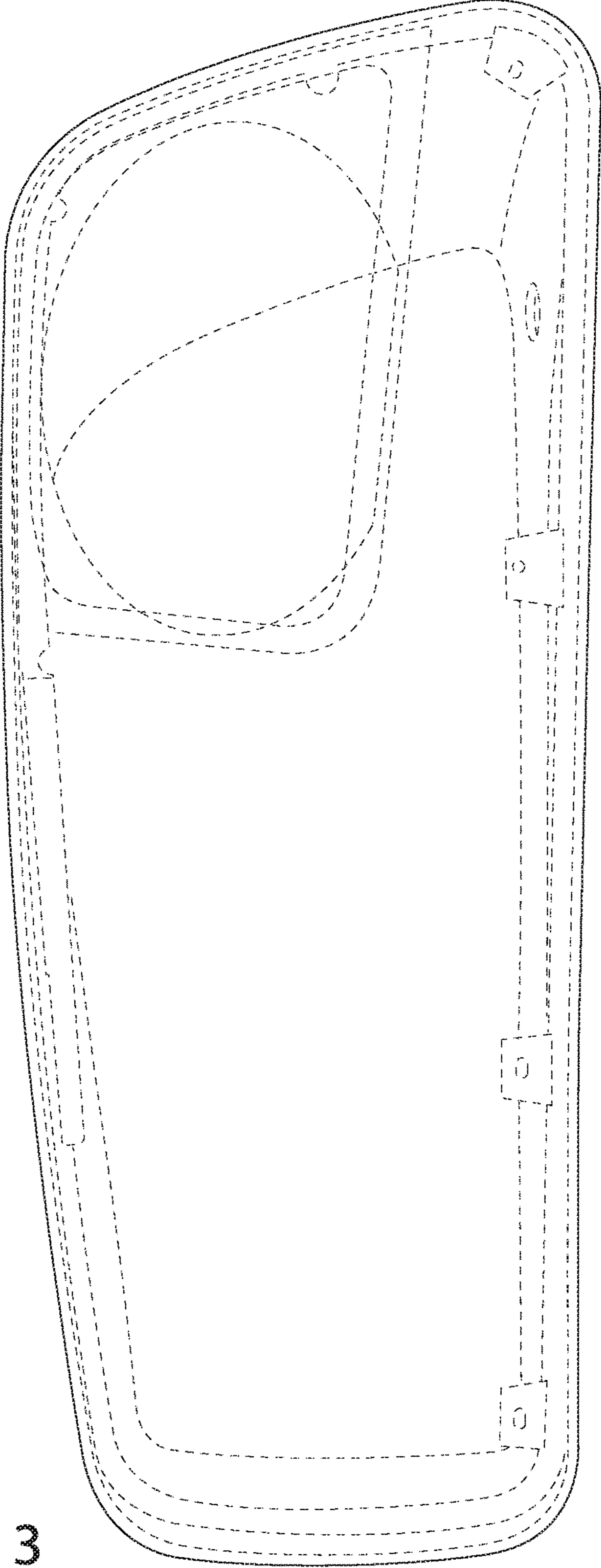


Fig. 3

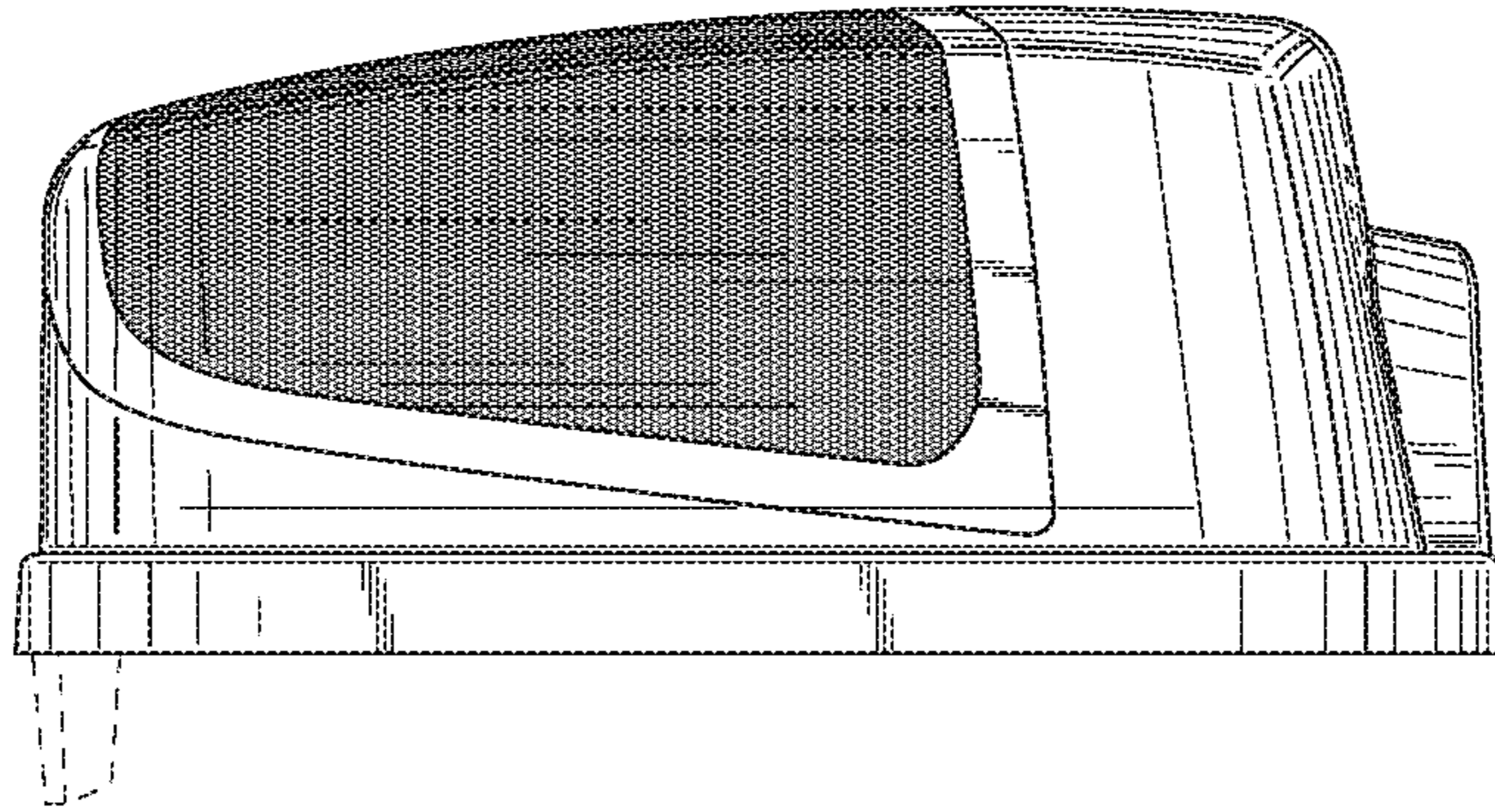


Fig. 4

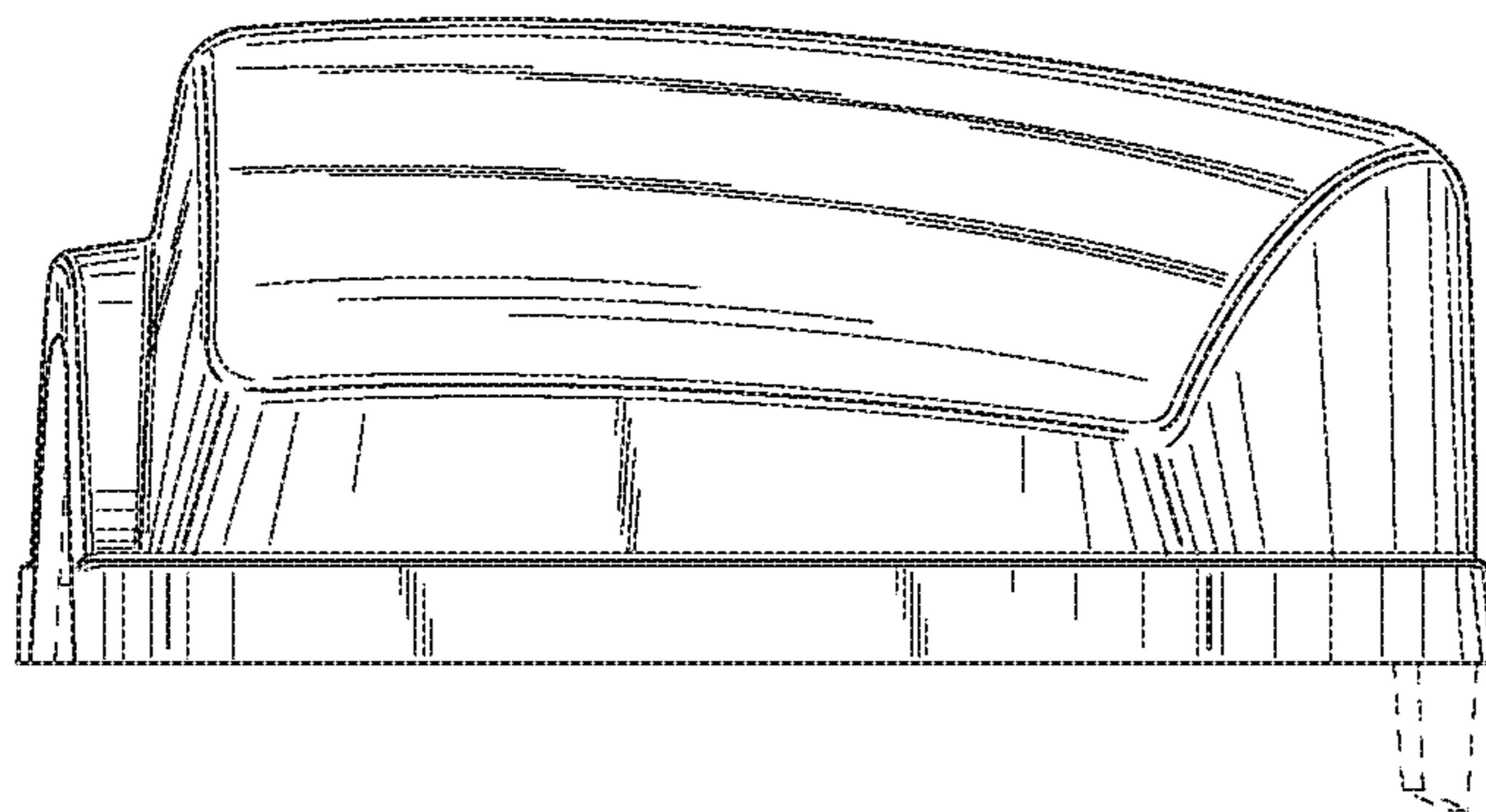


Fig. 5

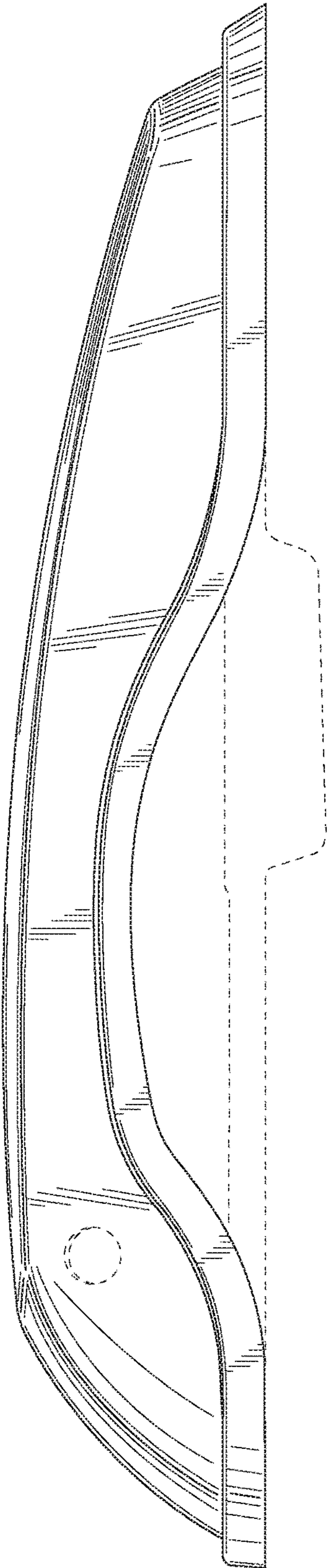


Fig. 6

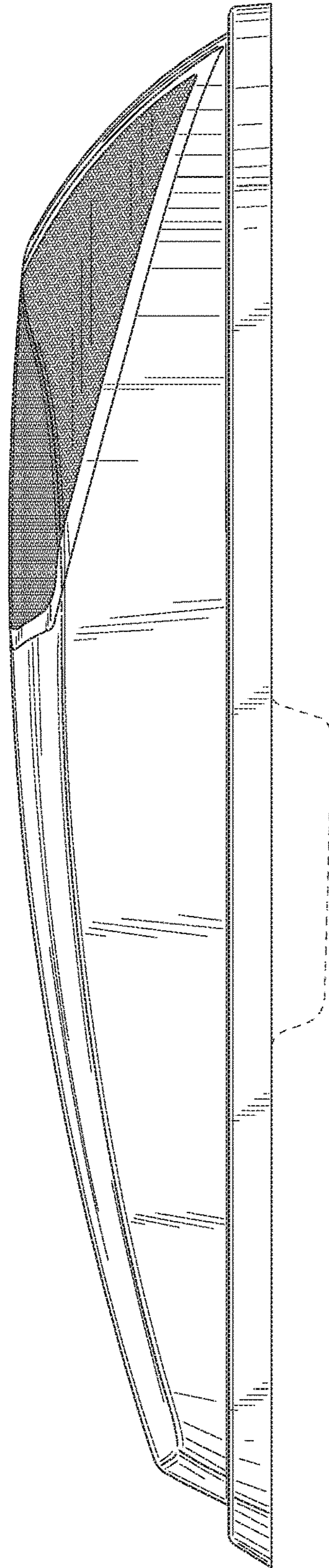


Fig. 7