



US00D806051S

(12) **United States Design Patent** (10) **Patent No.:** **US D806,051 S**  
**Fleming, Jr.** (45) **Date of Patent:** **\*\* \*Dec. 26, 2017**

(54) **LINEAR SHAPED DIGITAL DISPLAY**

(56) **References Cited**

(71) Applicant: **Nanolumens Acquisition, Inc.**,  
Norcross, GA (US)

U.S. PATENT DOCUMENTS

(72) Inventor: **Michael C. Fleming, Jr.**, Gainesville,  
GA (US)

D510,920 S	11/2005	Tanberg	
D519,117 S	4/2006	Lewis	
7,095,387 B2 *	8/2006	Lee	G06F 3/147 345/1.3
7,142,192 B2	11/2006	De Waal	
D579,888 S *	11/2008	Lunde	D14/127
7,495,576 B2	2/2009	Maskeny	
D600,233 S	9/2009	Birsel	
D600,695 S	9/2009	Niitsu et al.	
D615,054 S *	5/2010	Mellingen	D14/127
7,782,274 B2 *	8/2010	Manning	G06F 1/1616 345/1.1

(73) Assignee: **NanoLumens Acquisition, Inc.**,  
Norcross, GA (US)

(\*) Notice: This patent is subject to a terminal disclaimer.

(\*\*) Term: **15 Years**

7,823,308 B1	11/2010	Munson	
D633,454 S	3/2011	Mitsubishi	
8,152,312 B2	4/2012	Kondo	
D663,707 S	7/2012	Derocher	
8,281,249 B2	10/2012	Nolte	
8,384,616 B2	2/2013	Elliott	

(21) Appl. No.: **29/588,141**

(22) Filed: **Dec. 19, 2016**

(Continued)

**Related U.S. Application Data**

*Primary Examiner* — Prabhakar G Deshmukh

(63) Continuation of application No. 29/581,415, filed on Oct. 19, 2016, now Pat. No. Des. 784,952.

(74) *Attorney, Agent, or Firm* — Theodore Heske, III

(51) **LOC (10) Cl.** ..... **14-03**

(57) **CLAIM**

(52) **U.S. Cl.**

The ornamental design for a linear shaped digital display, as shown and described.

USPC ..... **D14/203.7**; D14/496

**DESCRIPTION**

(58) **Field of Classification Search**

USPC ..... D14/371–374, 356, 125–129, 496, D14/203.1–203.8, 217, 238.1, 448; D21/324, 218, 329, 332; 273/148 B; 463/1, 29–35, 46, 47; 349/1, 5, 58; 348/40, 41, 576, 635, 639, 651, 739, 348/759–781, 790, 791, 808, 836; 345/634, 256, 280, 530, 204, 2.2, 903, 345/905; D9/418, 432, 424, 425; 220/602, 657, 659

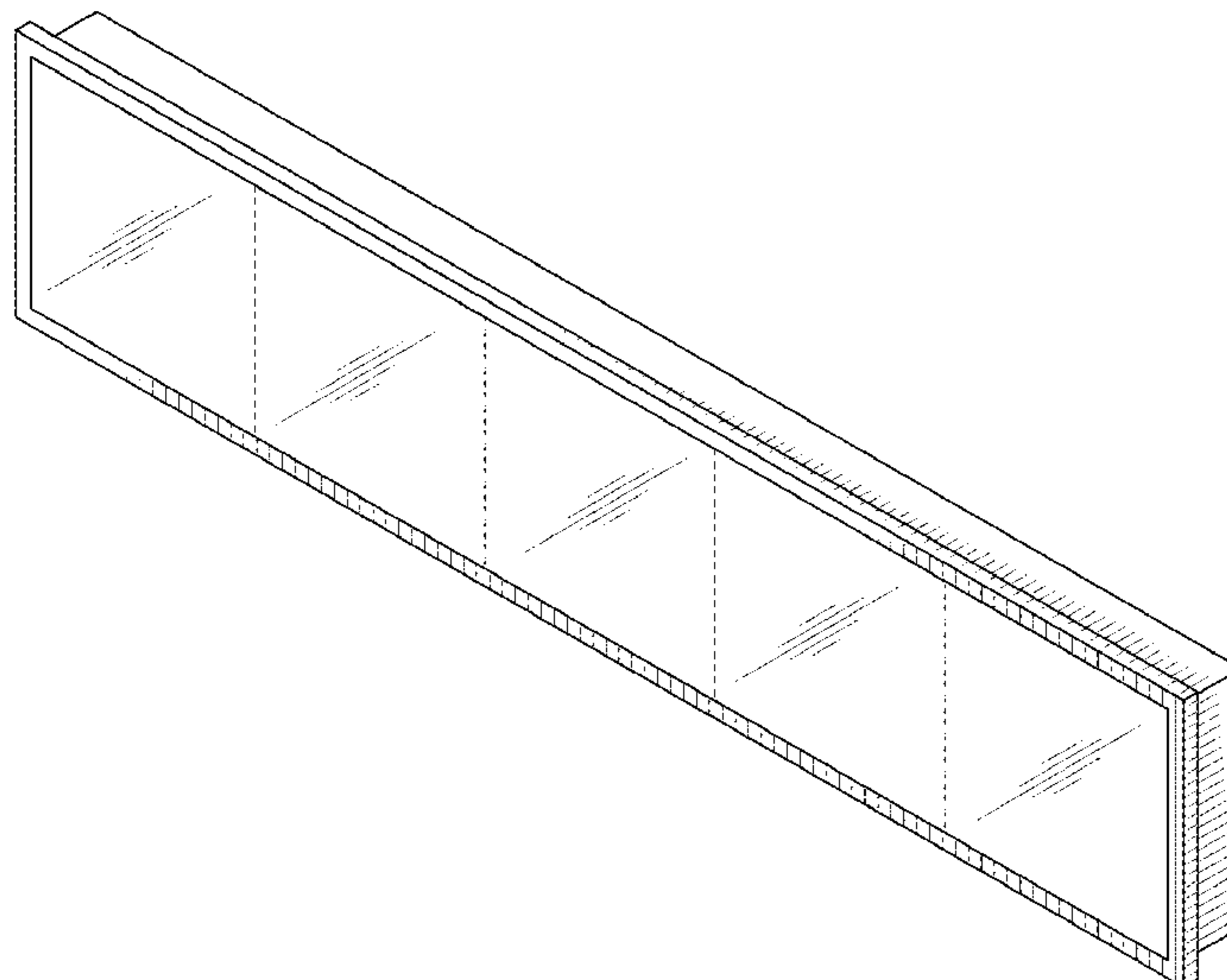
FIG. 1 is a perspective view of a linear shaped digital display showing our new design;  
FIG. 2 is a front elevation view thereof;  
FIG. 3 is a back elevation view thereof;  
FIG. 4 is a top plan view thereof;  
FIG. 5 is a bottom plan view thereof;  
FIG. 6 is a left elevation view thereof;  
FIG. 7 is a right elevation view thereof; and,  
FIG. 8 is a perspective view showing the back of our linear shaped digital display.

CPC ..... G06F 3/038; G06F 3/32; G06F 3/1446; G06F 1/1624

Broken lines in the figures illustrate unclaimed portions and form no part of the claimed design.

See application file for complete search history.

**1 Claim, 4 Drawing Sheets**



(56)

**References Cited**

U.S. PATENT DOCUMENTS

8,582,282	B2	11/2013	Kim et al.	
8,593,578	B1	11/2013	Geronimi	
8,619,414	B2	12/2013	Lee	
8,665,366	B2	3/2014	Lien	
D715,798	S	10/2014	Cruz et al.	
D716,298	S	10/2014	Cruz et al.	
8,863,038	B2 *	10/2014	King .....	G06F 1/1616 345/173
D729,793	S	5/2015	Hickok et al.	
D729,797	S	5/2015	Hickok et al.	
9,030,812	B2	5/2015	Nakamura	

\* cited by examiner

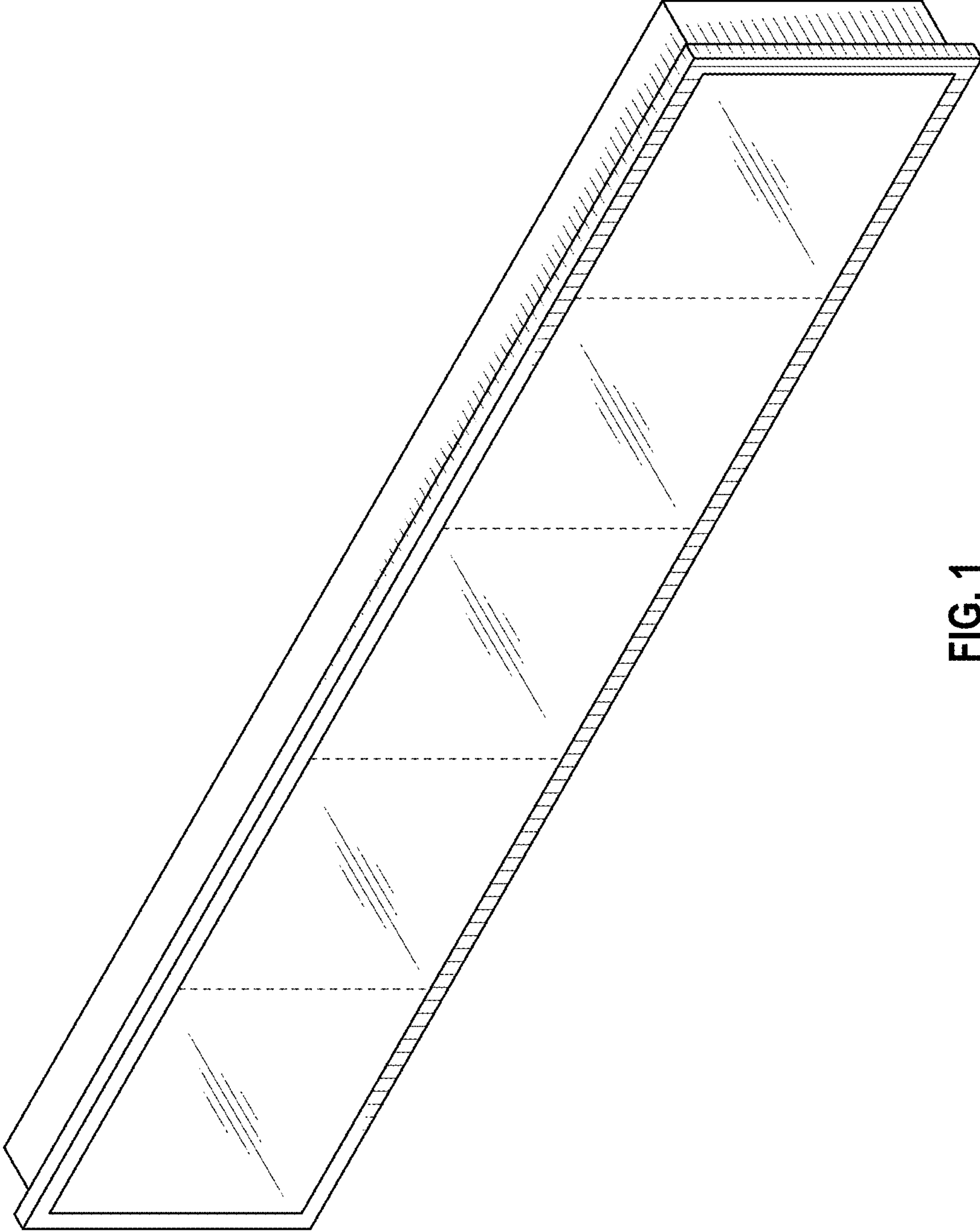


FIG. 1

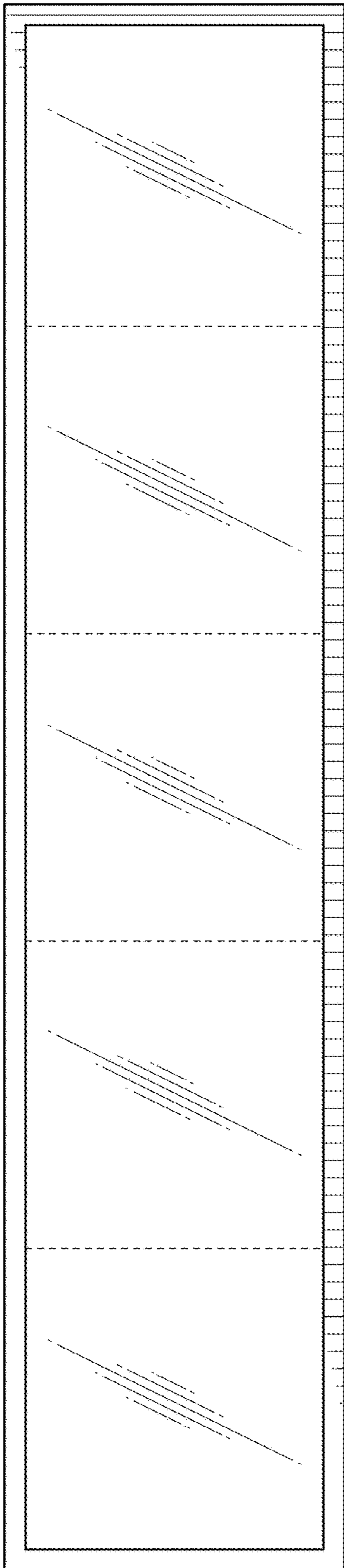


FIG. 2

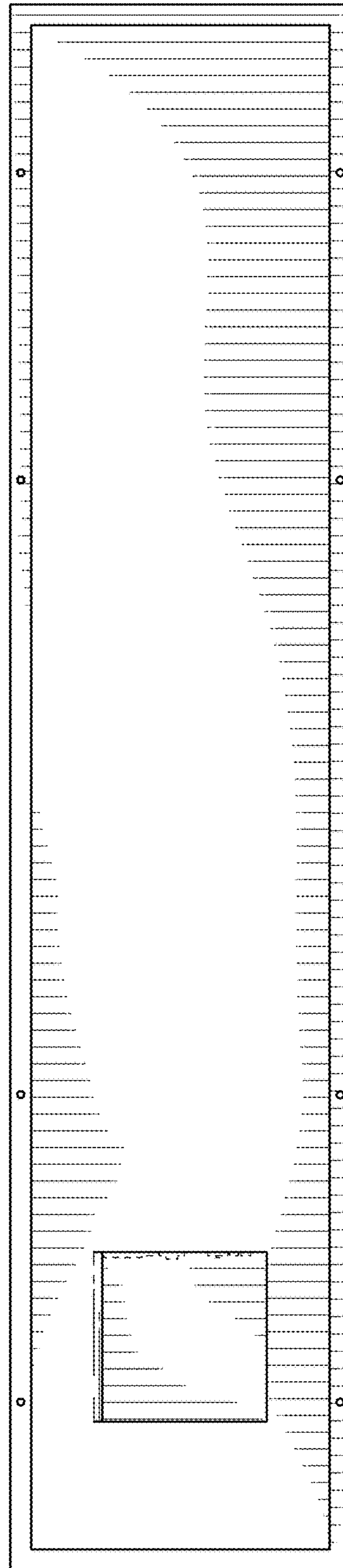


FIG. 3

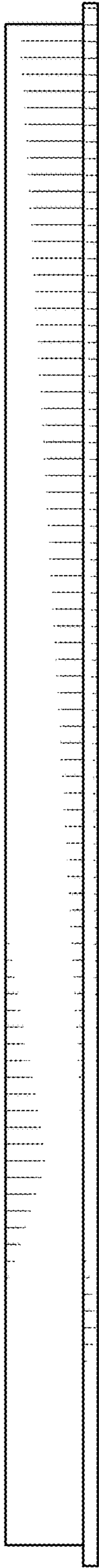


FIG. 4

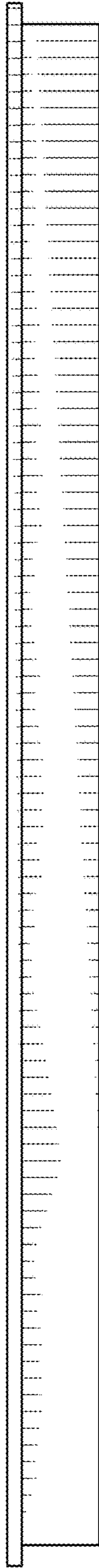


FIG. 5

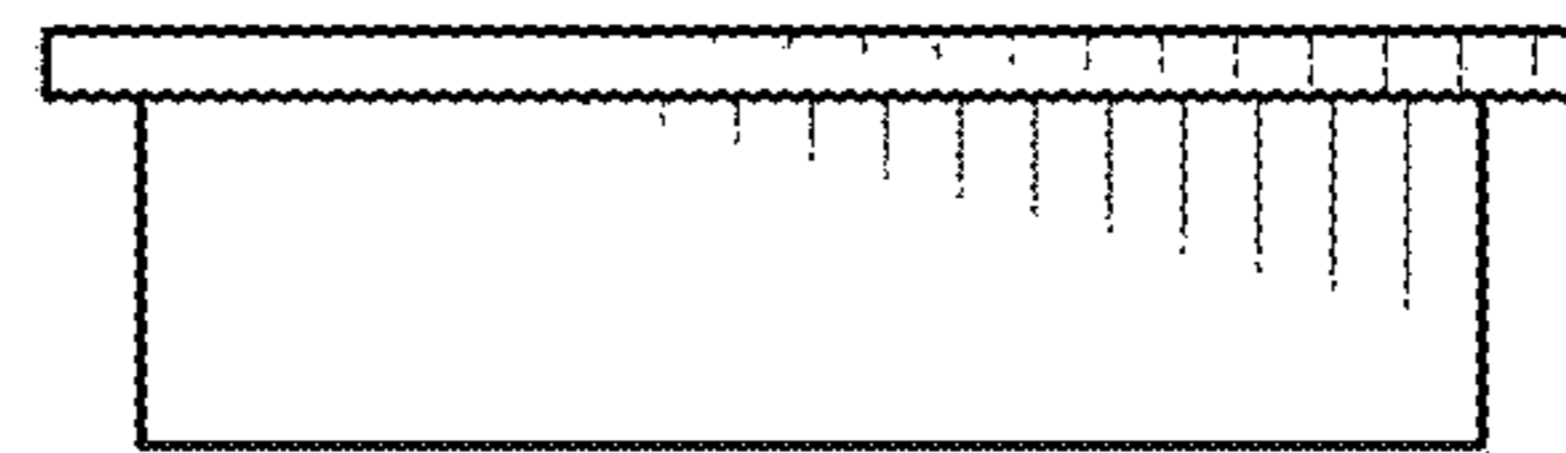


FIG. 6

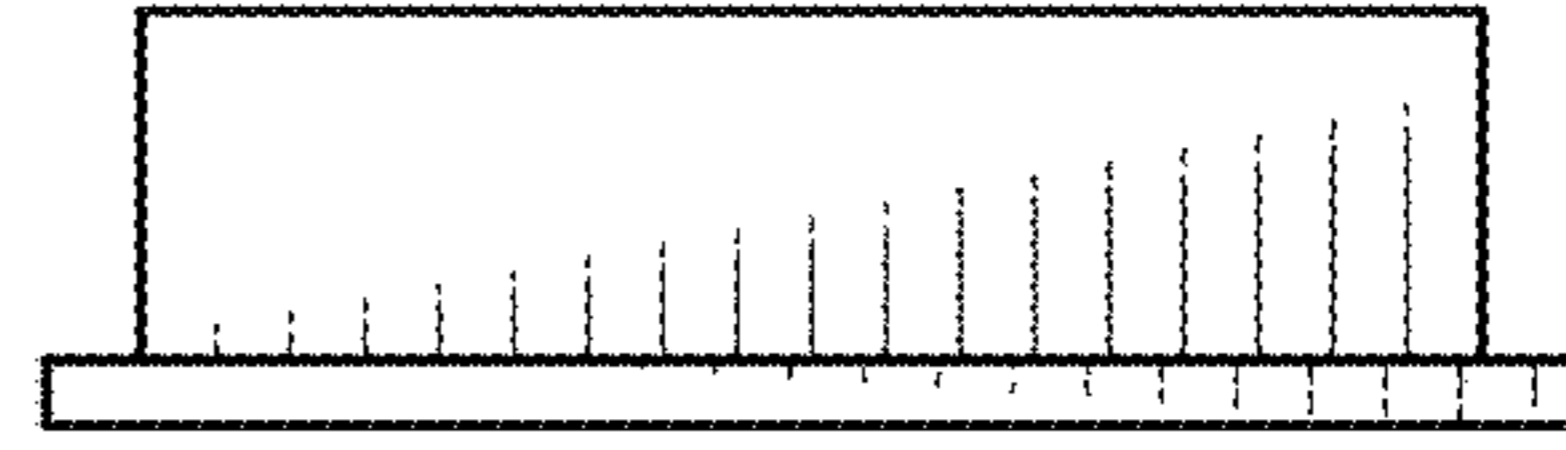


FIG. 7

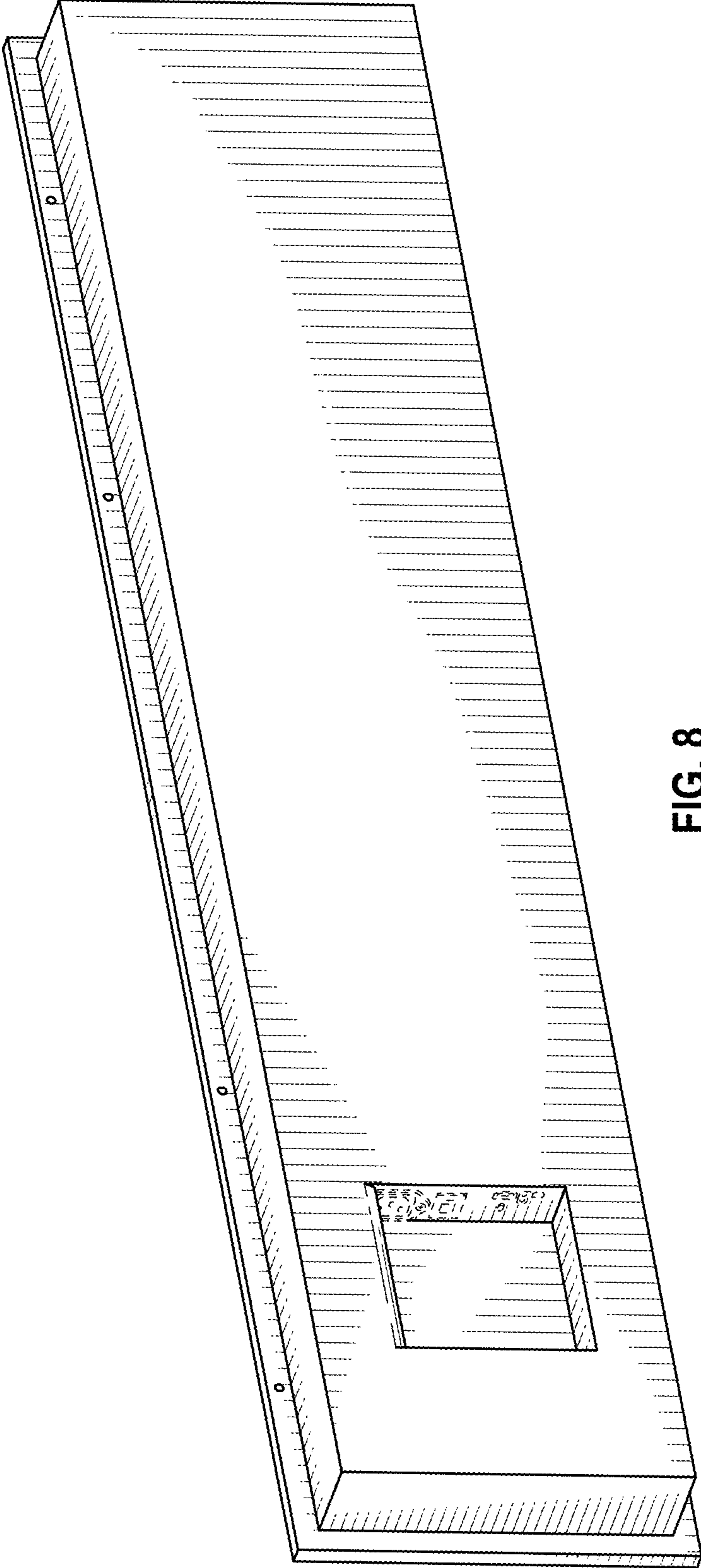


FIG. 8