



US00D806048S

(12) **United States Design Patent** (10) **Patent No.:** **US D806,048 S**  
**Lee et al.** (45) **Date of Patent:** **\*\* Dec. 26, 2017**

(54) **TELEVISION RECEIVER**

D722,988 S \* 2/2015 Kim ..... D14/126  
D756,337 S \* 5/2016 Santiago ..... D14/126  
D756,945 S \* 5/2016 Kim ..... D14/126

(71) Applicant: **SAMSUNG ELECTRONICS CO., LTD.**, Suwon-si (KR)

(Continued)

(72) Inventors: **Jae-Neung Lee**, Ahnsan-si (KR);  
**Chul-Yong Cho**, Seoul (KR)

**FOREIGN PATENT DOCUMENTS**

(73) Assignee: **Samsung Electronics Co., Ltd.**, Suwon-si (KR)

EM 002224519-0001 6/2013  
EM 002482372-0001 7/2014  
KR 30-2012-0017948 3/2013

(\*\*) Term: **15 Years**

*Primary Examiner* — Randall Gholson

(21) Appl. No.: **29/568,386**

(74) *Attorney, Agent, or Firm* — NSIP Law

(22) Filed: **Jun. 17, 2016**

(57) **CLAIM**

We claim the ornamental design for a television receiver, as shown and described.

(30) **Foreign Application Priority Data**

**DESCRIPTION**

Dec. 23, 2015 (KR) ..... 30-2015-0065865

(51) **LOC (10) Cl.** ..... **14-03**

(52) **U.S. Cl.**  
USPC ..... **D14/126**

(58) **Field of Classification Search**  
USPC ..... D14/125-134, 239, 371, 136, 374-377,  
D14/440, 450, 448, 336, 342, 159;  
312/7.2; 348/836, 838, 180, 184, 325,  
348/739; 248/917-924, 465; 345/104,  
345/133, 156, 168, 87, 173; D21/329,  
D21/515, 577, 622, 333, 433, 448, 452,  
D21/450, 331, 505; D10/15, 26;  
446/484, 175, 356; D6/477, 479, 300;  
D20/10, 19, 39  
CPC ... G06F 1/1601; G06F 1/1643; H05K 5/0004;  
H05K 5/0017; H05K 5/02; H05K 5/0217;  
H04N 13/0459

See application file for complete search history.

FIG. 1 is a front perspective view of a television receiver showing our new design;  
FIG. 2 is a front view thereof;  
FIG. 3 is a rear view thereof;  
FIG. 4 is a left-side view thereof;  
FIG. 5 is a right-side view thereof;  
FIG. 6 is a top view thereof;  
FIG. 7 is a bottom view thereof;  
FIG. 8 is an enlarged view of the encircled portion in FIG. 1;  
FIG. 9 is an enlarged view of the encircled portion in FIG. 2; and,  
FIG. 10 is a cross-sectional view taken along the line 10-10 in FIG. 2.

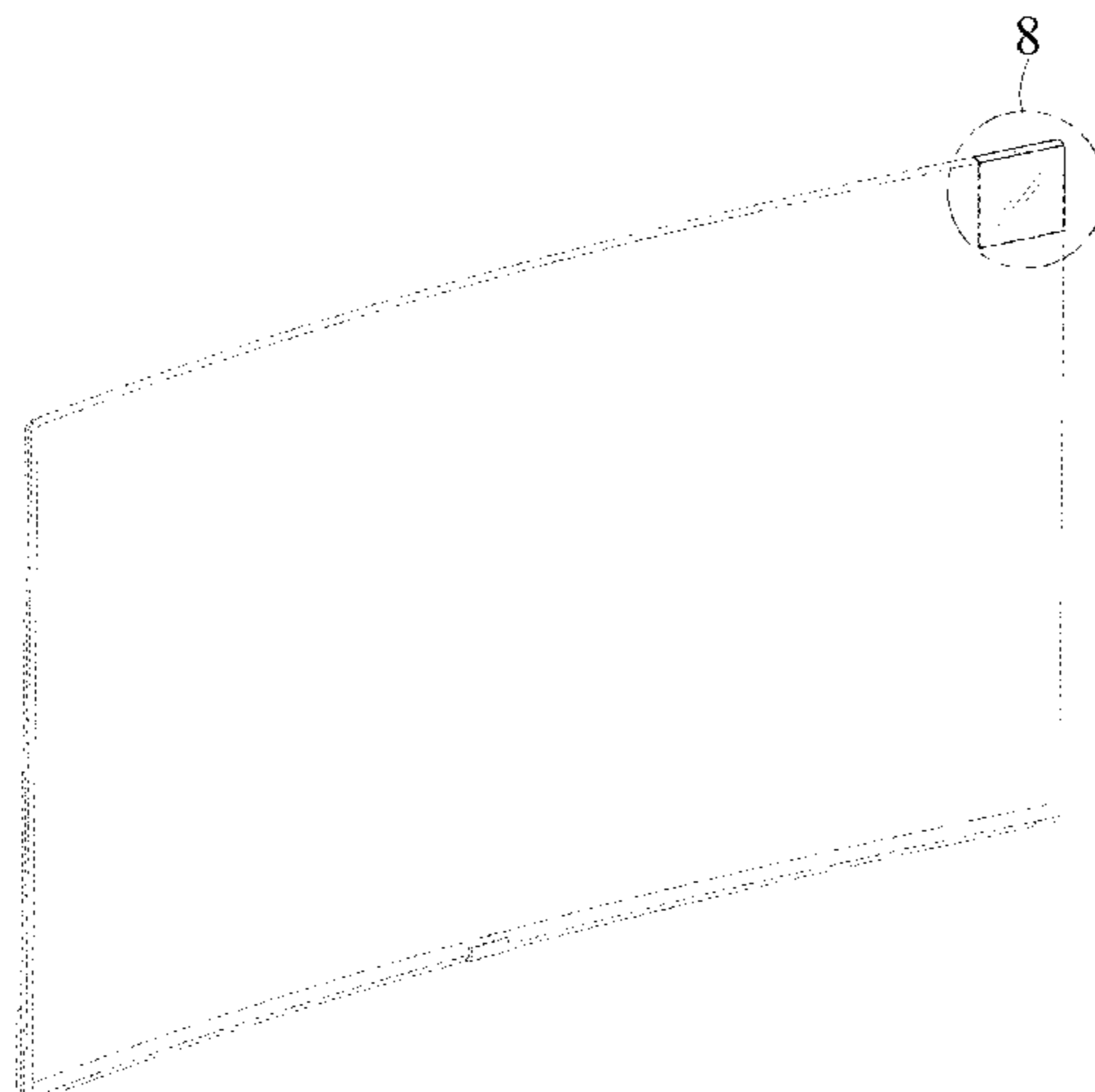
The evenly spaced broken lines depict environmental subject matter and form no part of the claimed design.  
The dot-dash broken lines in the figures represent an unclaimed boundary line and form no part of the claimed design.  
The dot-dot-dash broken lines encircling portions of the claimed design that are illustrated in enlargements form no part of the claimed design.

(56) **References Cited**

**U.S. PATENT DOCUMENTS**

D660,815 S 5/2012 Itou et al.  
D694,208 S 11/2013 Duys et al.

**1 Claim, 7 Drawing Sheets**



(56)

**References Cited**

U.S. PATENT DOCUMENTS

D758,980 S \* 6/2016 Kim ..... D14/126  
D758,982 S \* 6/2016 Moon ..... D14/126

\* cited by examiner

FIG. 1

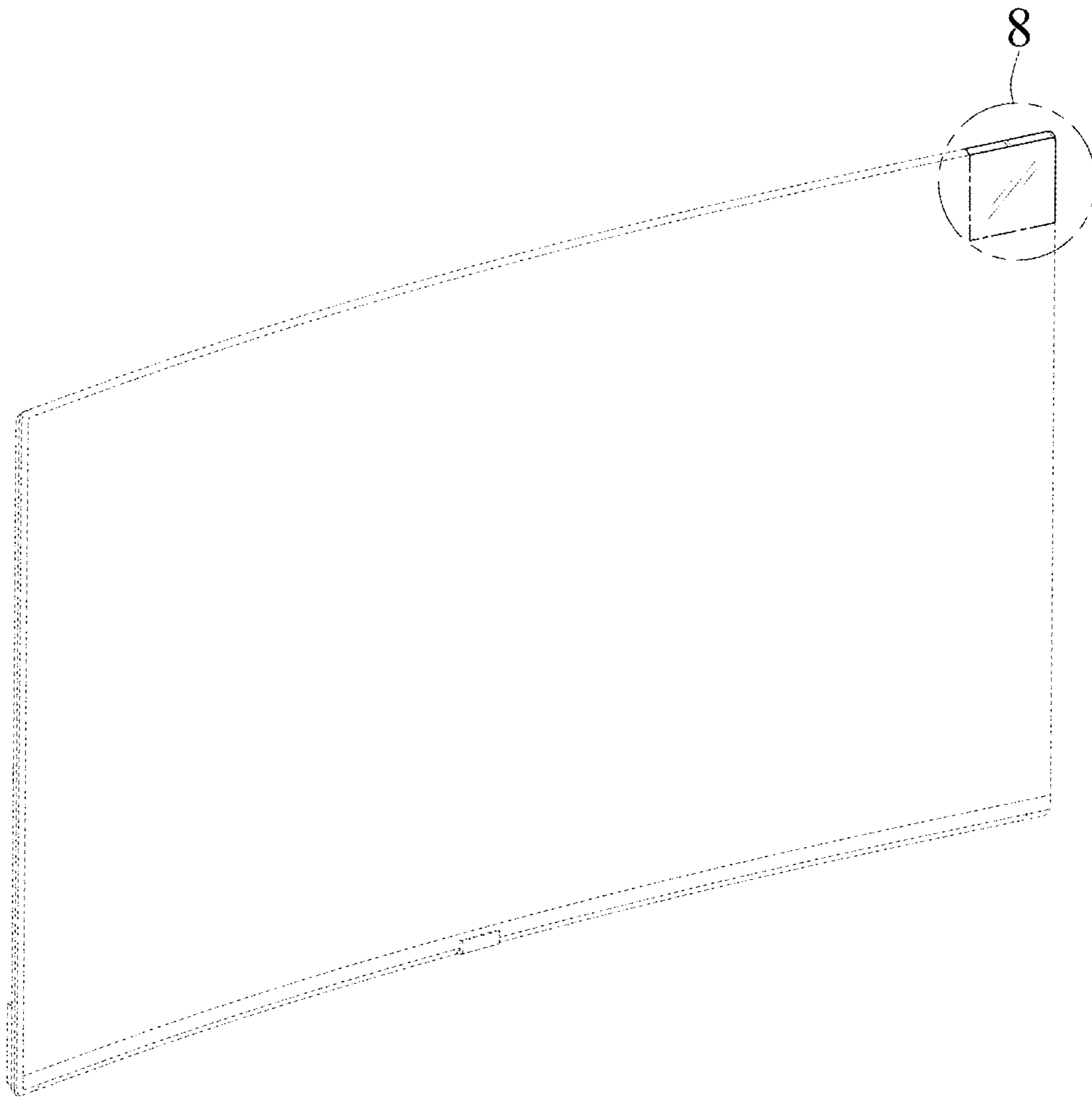


FIG. 2

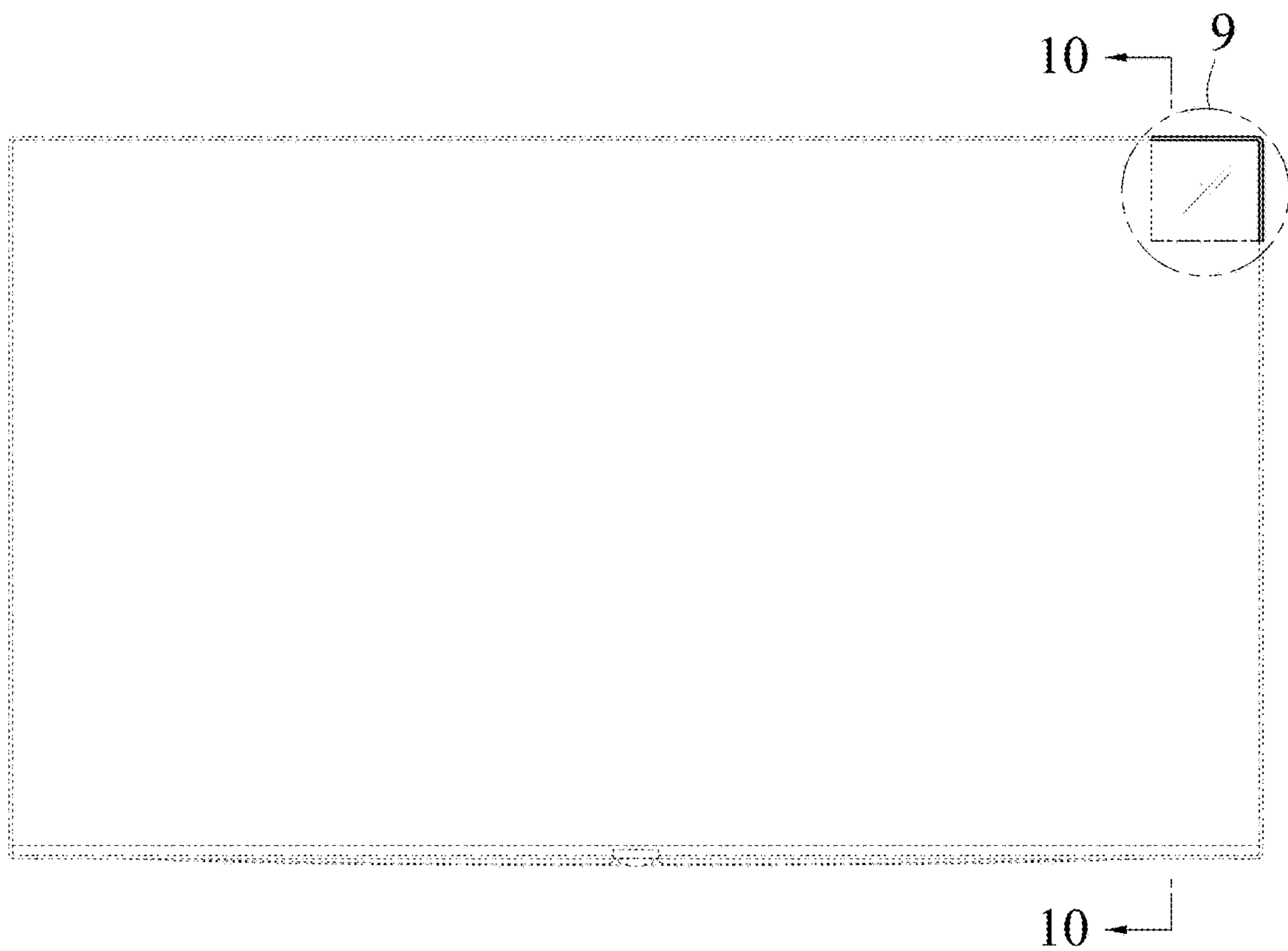


FIG. 3

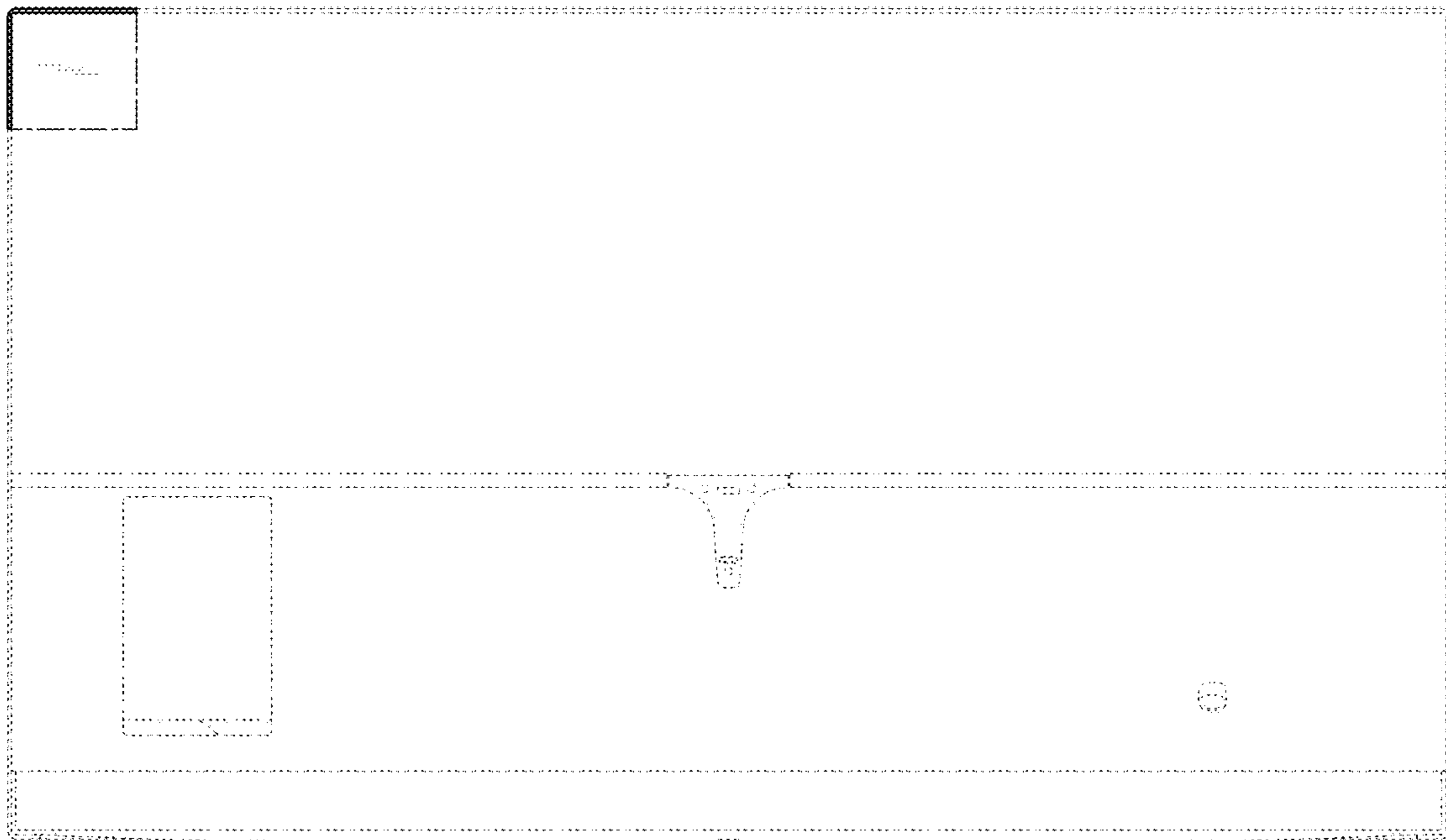


FIG. 4



FIG. 5



FIG. 6

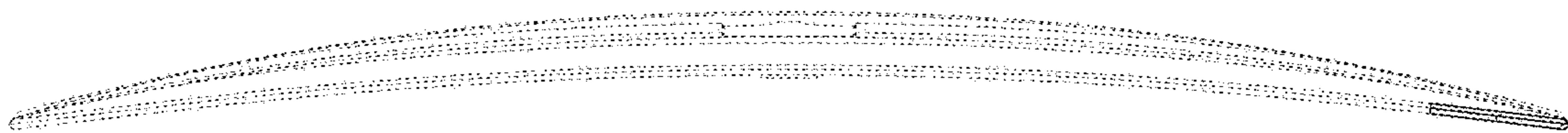


FIG. 7

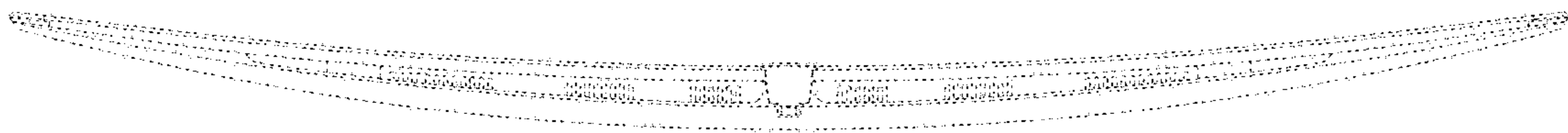


FIG. 8

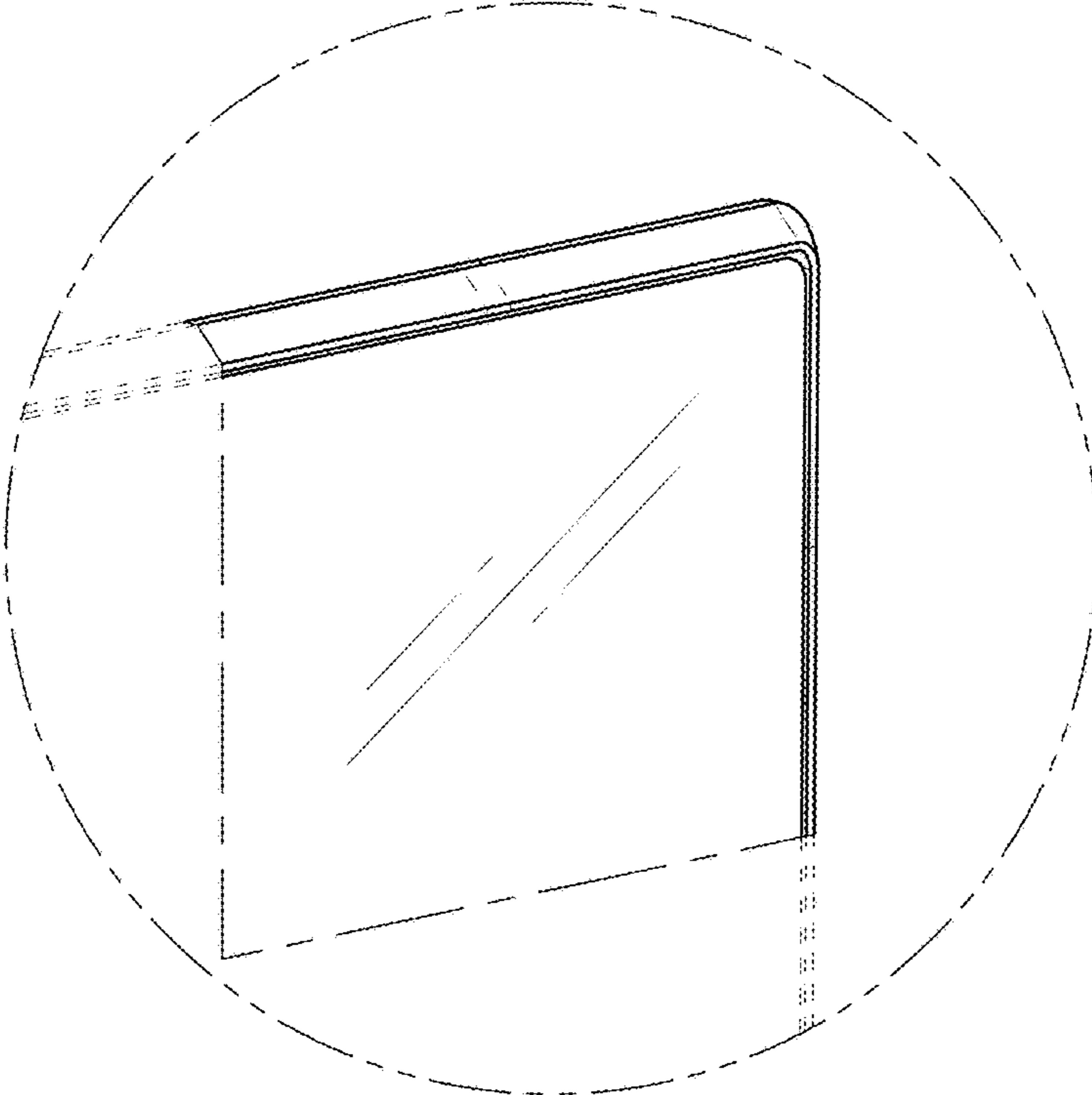


FIG. 9

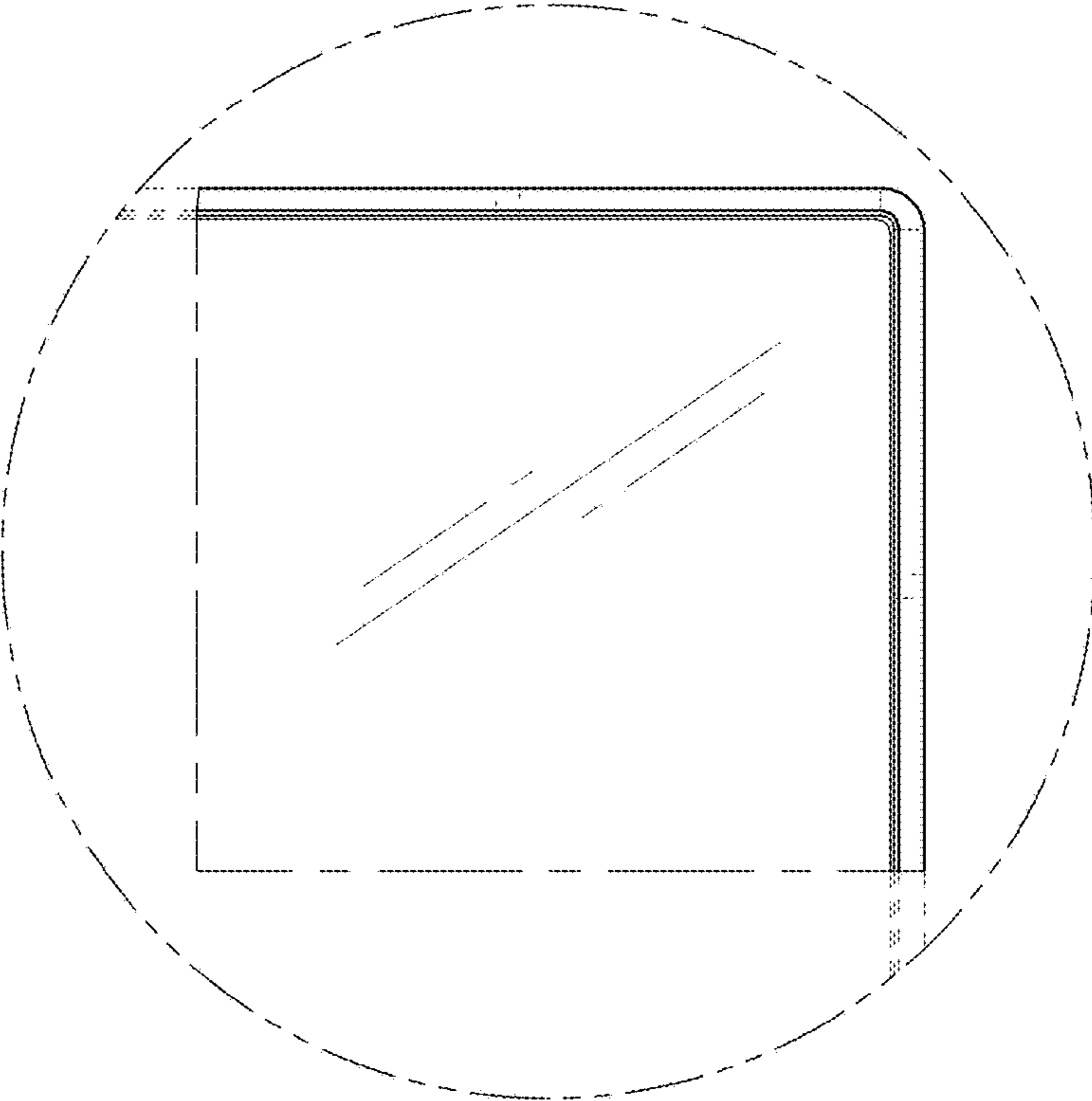




FIG. 10

