



US00D806044S

(12) **United States Design Patent**
Iizuka et al.

(10) **Patent No.:** **US D806,044 S**
(45) **Date of Patent:** **** Dec. 26, 2017**

(54) **PIEZOELECTRIC VIBRATION DEVICE**

(71) Applicant: **DAISHINKU CORPORATION**,
Kakogawa-shi, Hyogo (JP)

(72) Inventors: **Minoru Iizuka**, Kakogawa (JP);
Takuya Kojo, Kakogawa (JP)

(73) Assignee: **DAISHINKU CORPORATION**,
Hyogo (JP)

(**) Term: **14 Years**

(21) Appl. No.: **29/519,690**

(22) Filed: **Mar. 6, 2015**

(30) **Foreign Application Priority Data**

Sep. 16, 2014 (JP) 2014-020387

(51) **LOC (10) Cl.** **13-03**

(52) **U.S. Cl.**
USPC **D13/182; D14/435**

(58) **Field of Classification Search**
USPC D13/101, 110, 118, 121, 123, 133, 179,
D13/182, 184, 199; D14/432, 433, 435,
D14/438, 299; D10/75, 80; 310/344,
310/348, 370
CPC H03H 9/02; H03H 9/21; H03H 9/0547;
H03H 9/1021; H03H 9/215; H03H
2003/022; H03H 2003/0485; H01L
2224/48091; H01L 2224/73265; H01L
41/047; H05K 7/005; H05K 7/026; H05K
7/02; H05K 7/04; H05K 7/10
See application file for complete search history.

(56) **References Cited**

U.S. PATENT DOCUMENTS

3,072,734 A * 1/1963 Fox H02B 1/043
174/254
D356,778 S * 3/1995 Takeda D13/182

D436,085 S * 1/2001 Takizawa D13/182
D475,023 S * 5/2003 Maushard D13/158
D488,125 S * 4/2004 Shimada D13/101
D489,319 S * 5/2004 Månsson D13/101

(Continued)

FOREIGN PATENT DOCUMENTS

JP D1099562 S 2/2001
JP D1203016 S 4/2004

(Continued)

Primary Examiner — Derrick Holland

(74) *Attorney, Agent, or Firm* — Brinks Gilson & Lione

(57) **CLAIM**

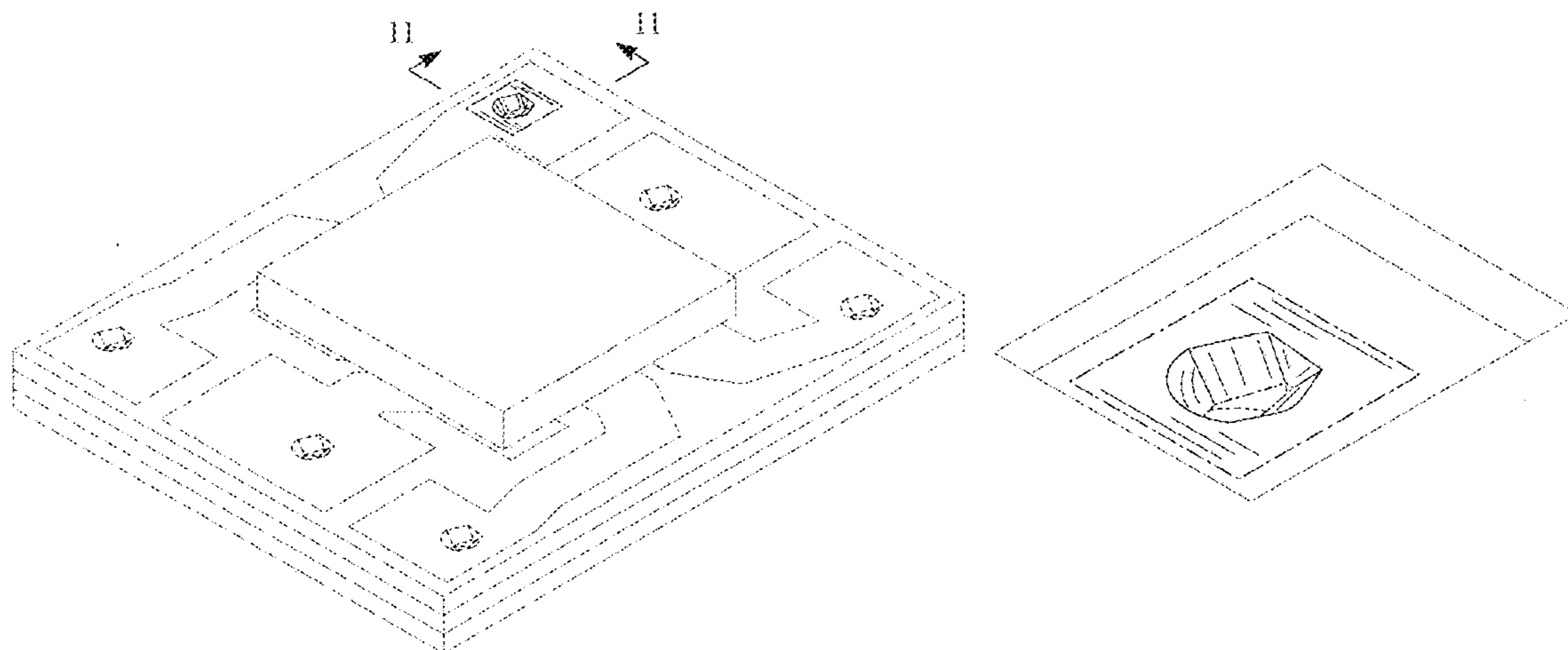
The ornamental design for a piezoelectric vibration device,
as shown and described.

DESCRIPTION

FIG. 1 is a top and front perspective view of a piezoelectric
vibration device of the present invention;
FIG. 2 is a top and rear perspective view thereof;
FIG. 3 is a top view thereof;
FIG. 4 is a bottom view thereof;
FIG. 5 is a front view thereof;
FIG. 6 is a rear view thereof;
FIG. 7 is a first side view thereof;
FIG. 8 is a second side view thereof;
FIG. 9 is a cross section view taken along the line 9-9 of
FIG. 3;
FIG. 10 is a cross section view taken along the line 10-10 of
FIG. 3;
FIG. 11 is an enlarged view of the area denoted by lines
11-11 of FIG. 1; and,
FIG. 12 is an enlarged view of the area denoted by lines
12-12 of FIG. 2.

The broken lines shown represent unclaimed subject matter
and form no part of the claimed design. Additionally, the
unevenly broken lines in the drawings define the limits of the
claimed design.

1 Claim, 6 Drawing Sheets



(56)

References Cited

U.S. PATENT DOCUMENTS

7,034,441 B2 * 4/2006 Ono H03B 5/32
310/344
7,098,574 B2 * 8/2006 Iwata H03H 3/04
310/320
D604,693 S * 11/2009 Sugawara D13/101
7,638,931 B2 * 12/2009 Watanabe G01S 7/521
310/348
D636,727 S * 4/2011 Sakae D13/121
8,601,656 B2 * 12/2013 Funabiki H03H 9/1021
29/25.35
8,749,122 B2 * 6/2014 Aratake H03H 9/02
310/344
2014/0292437 A1 * 10/2014 Tanaka H03H 9/02023
331/158
2015/0015341 A1 * 1/2015 Kojo H03B 5/32
331/158

FOREIGN PATENT DOCUMENTS

JP 2011-30198 A 2/2011
JP 2012-235511 A 11/2012

* cited by examiner

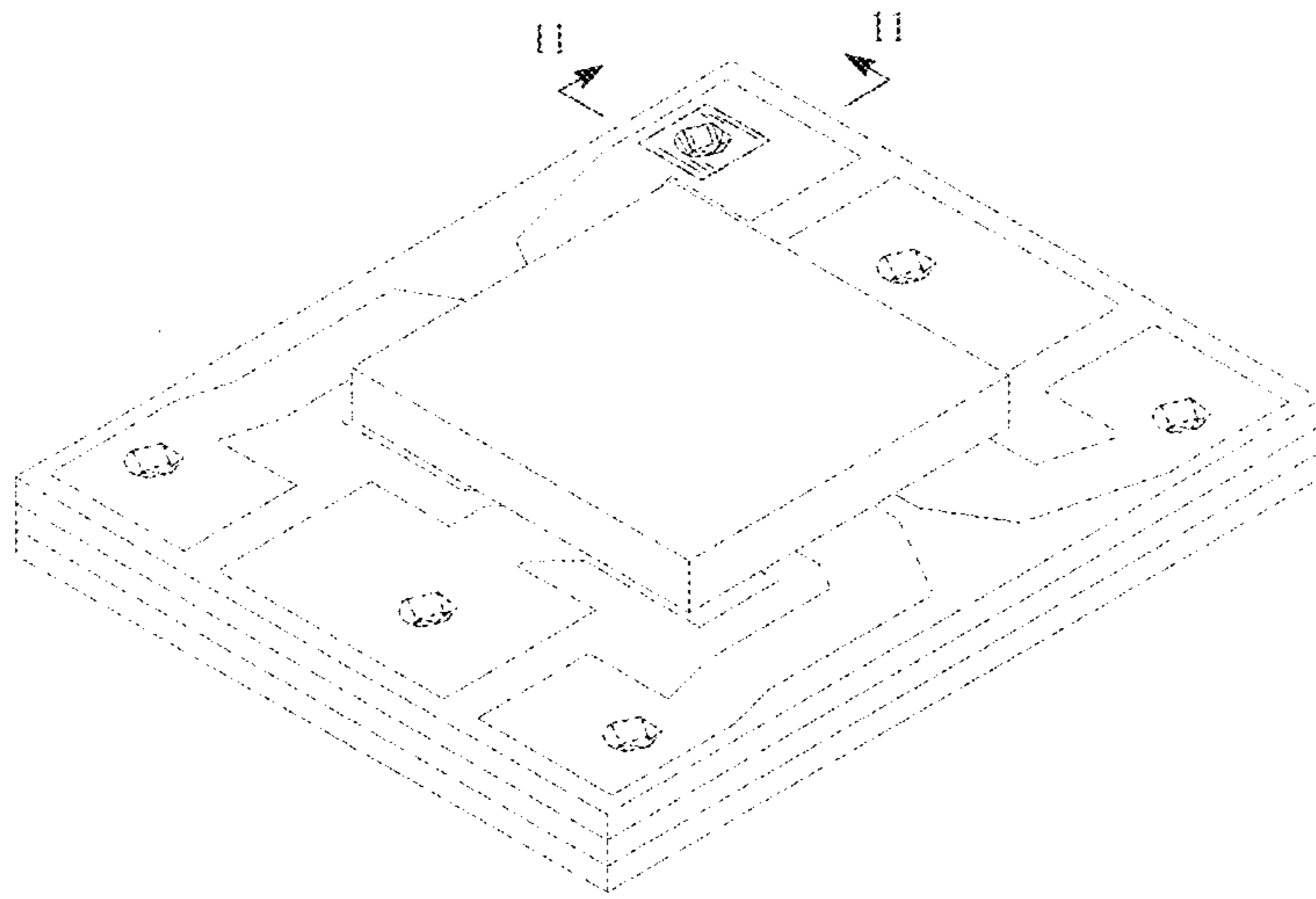


FIG. 1

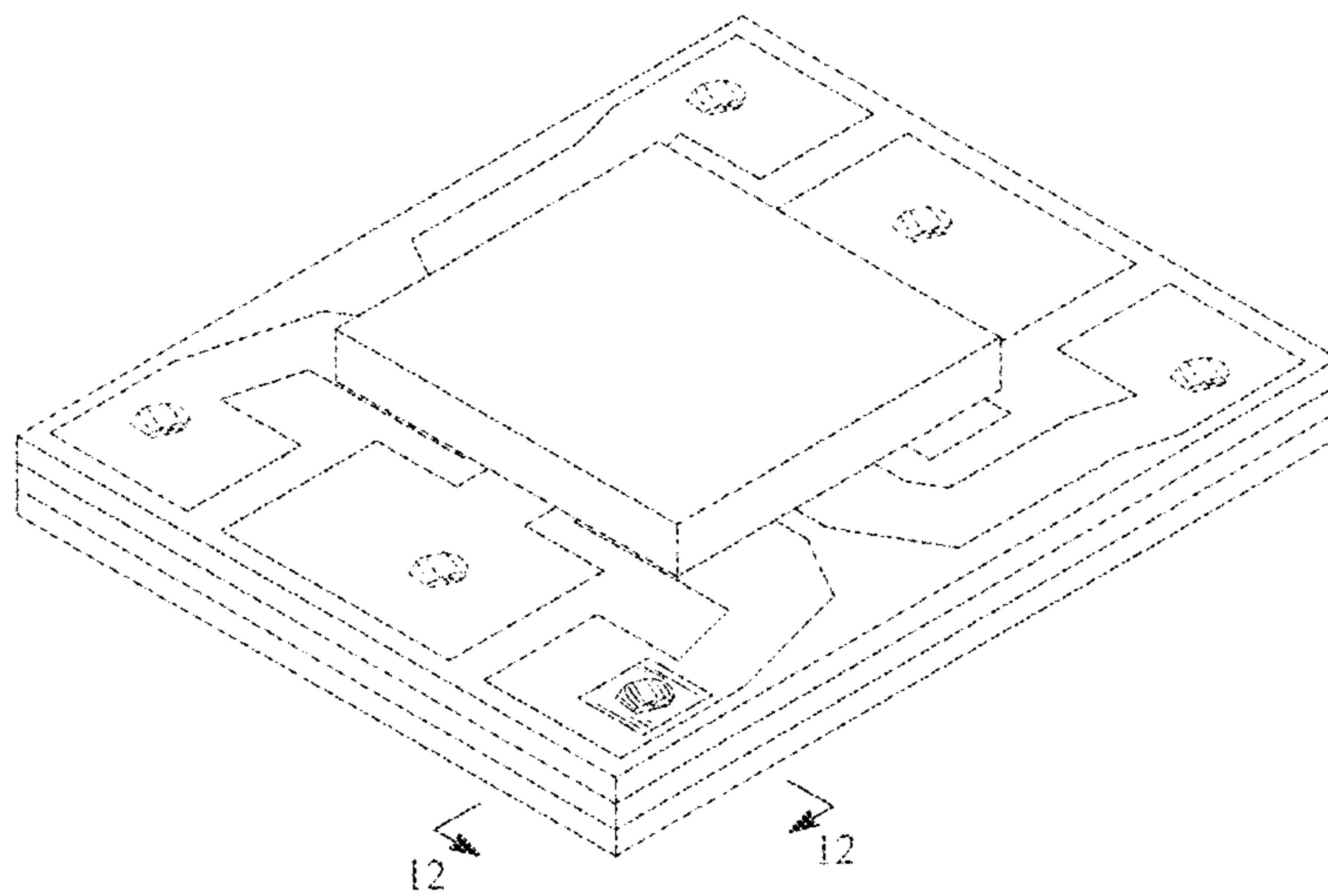


FIG. 2

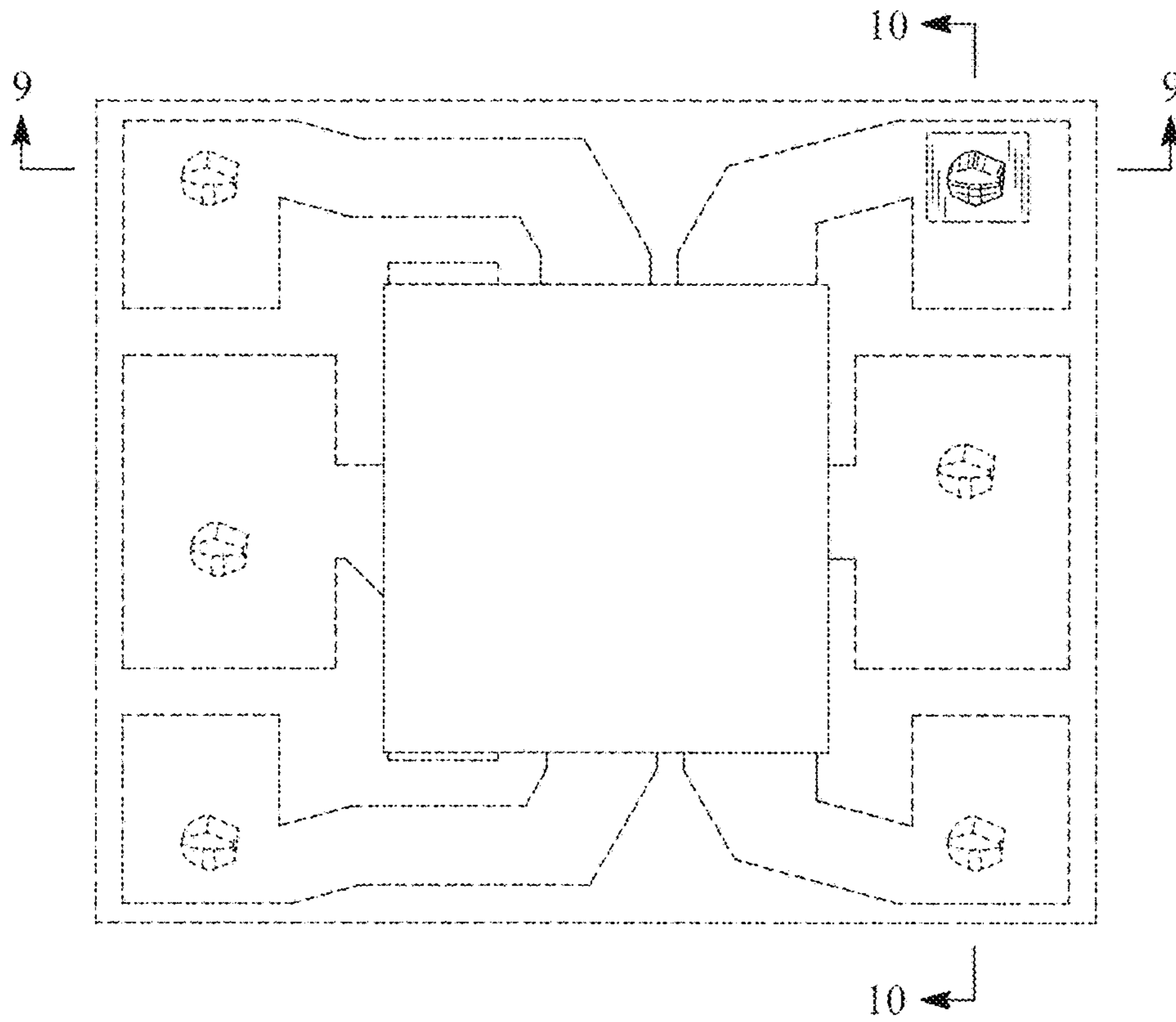


FIG. 3

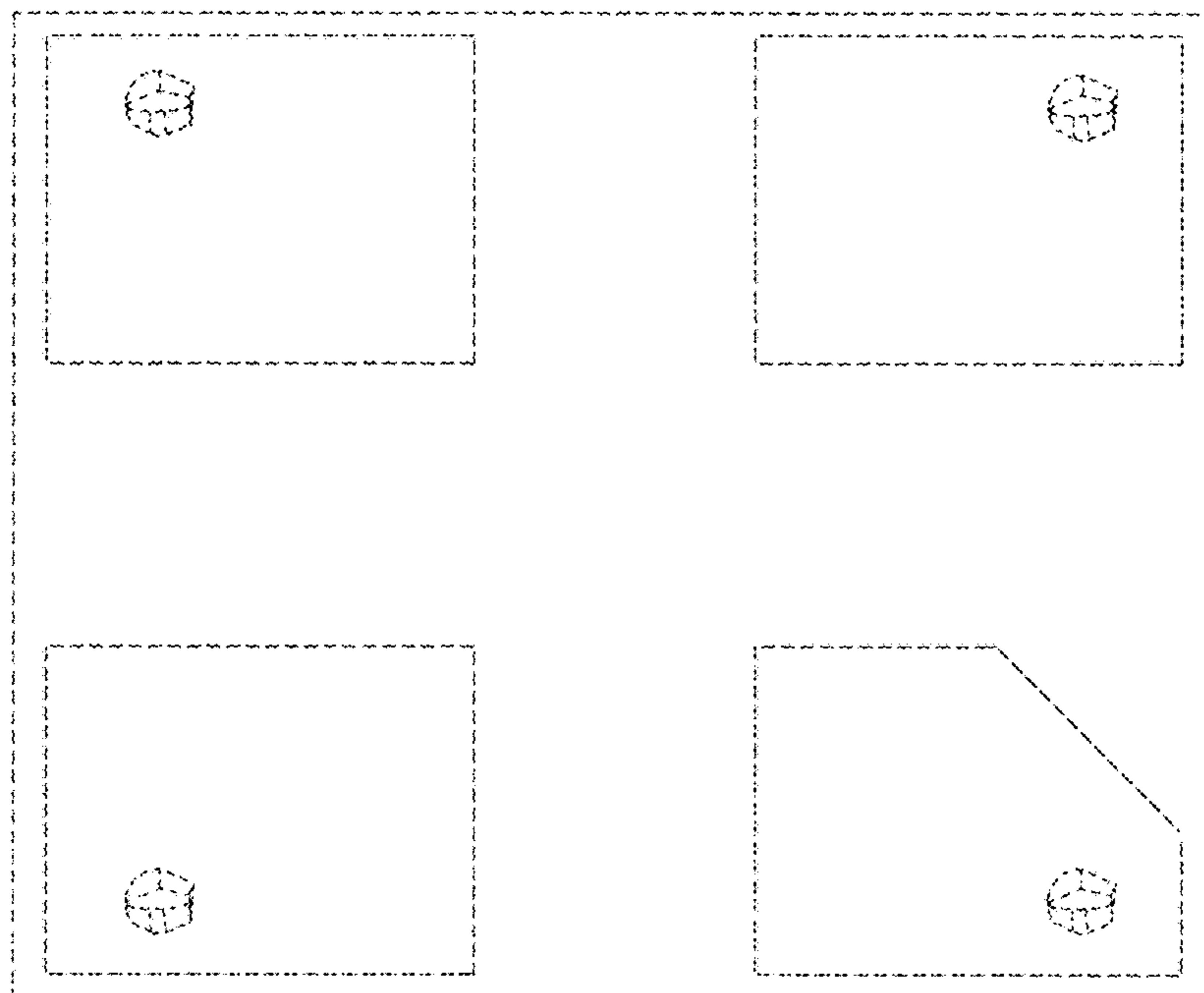


FIG. 4

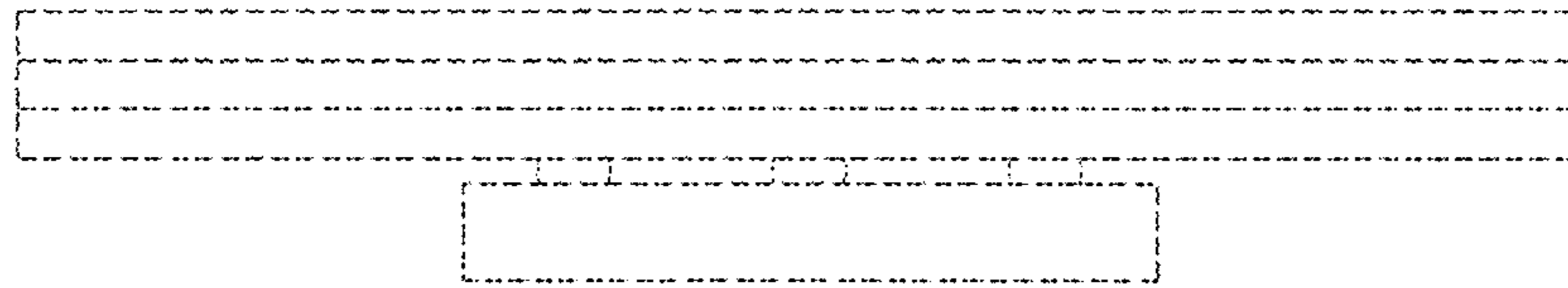


FIG.5

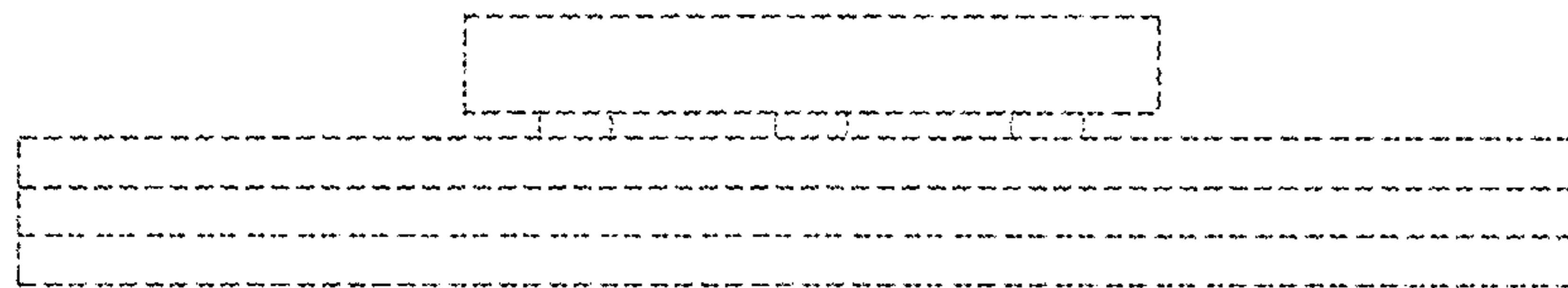


FIG.6

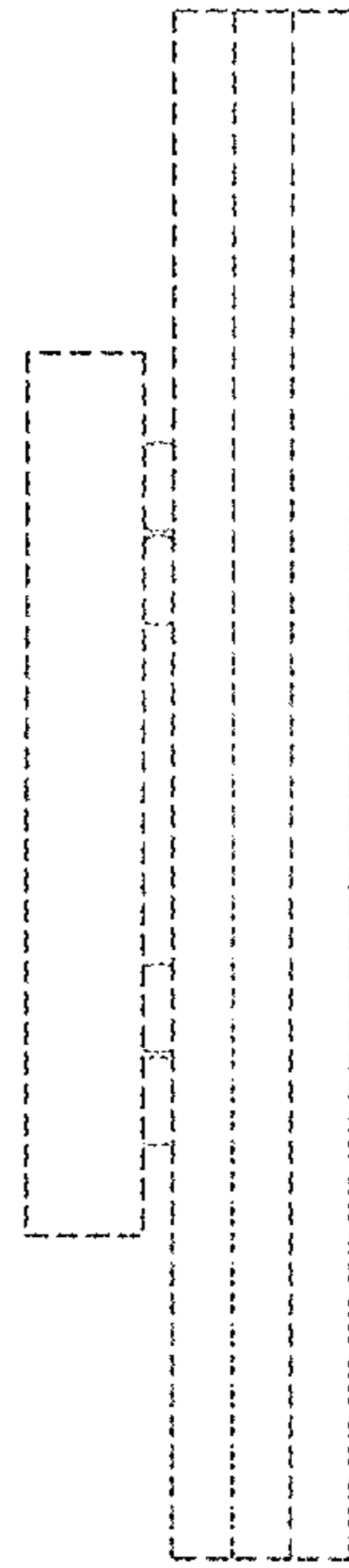


FIG. 7

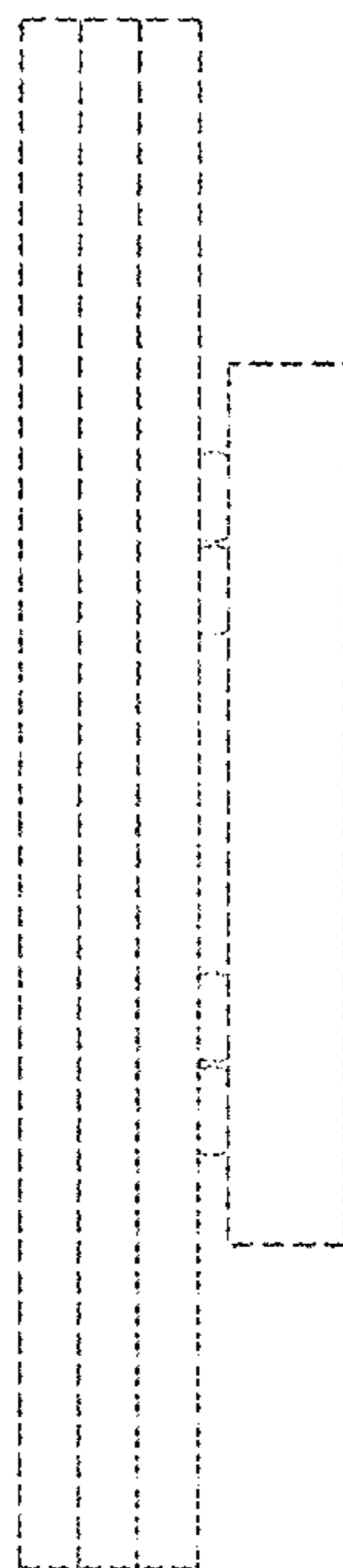


FIG. 8

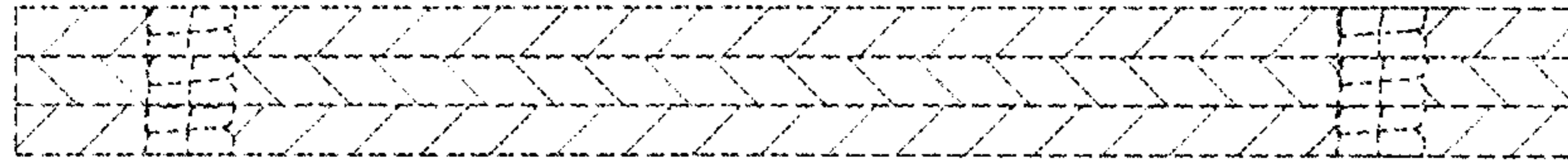


FIG. 9

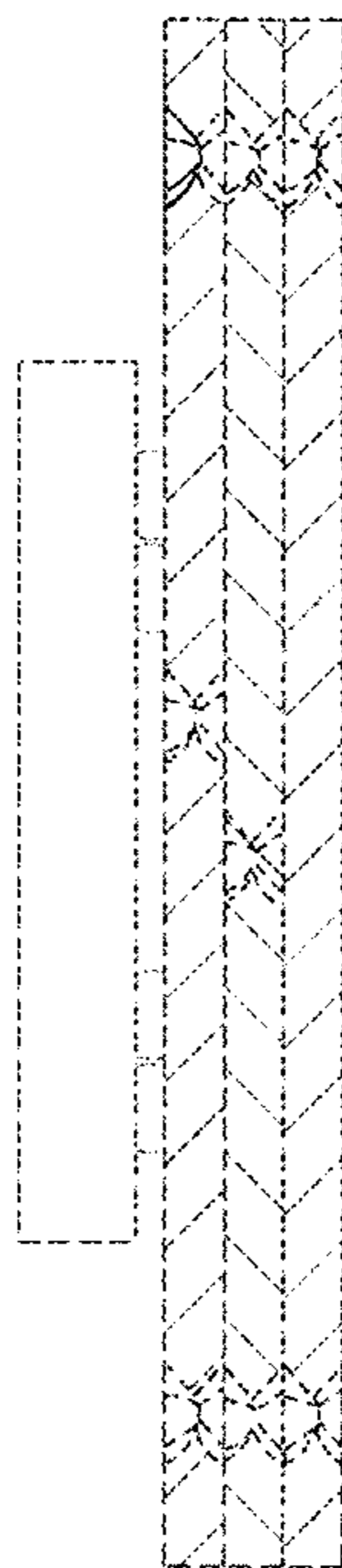


FIG. 10

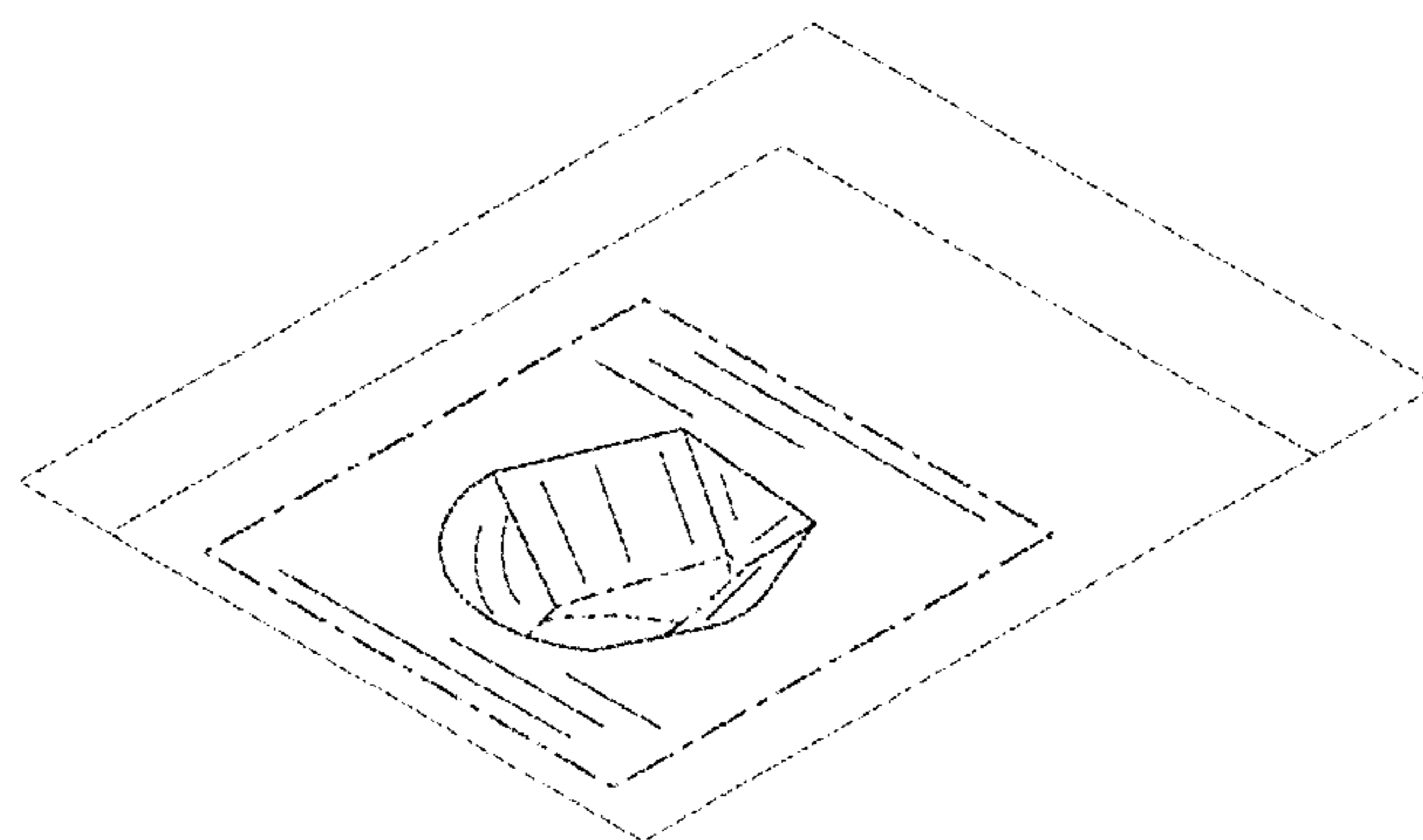


FIG. 11

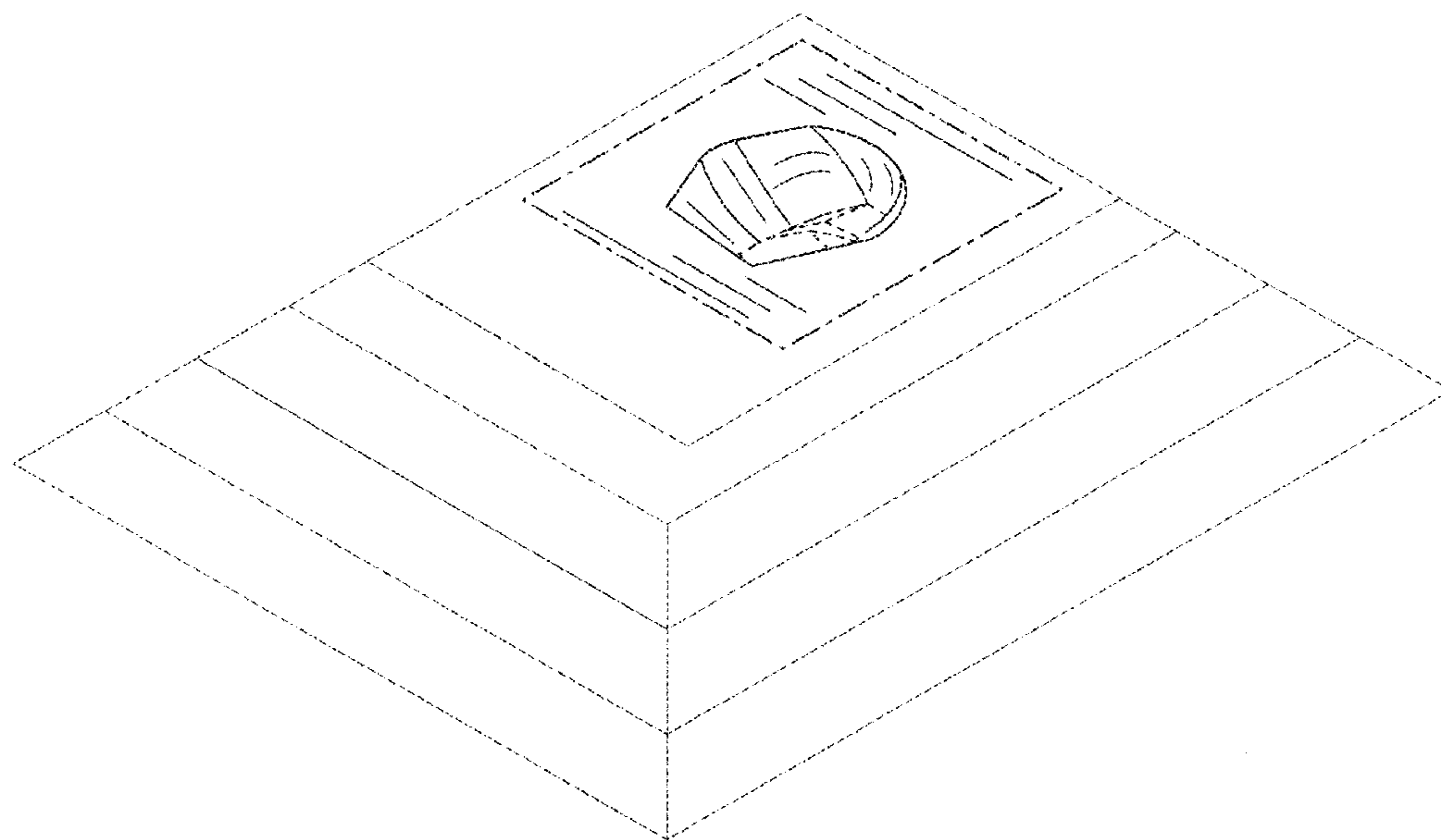


FIG. 12