



US00D806041S

(12) **United States Design Patent** (10) **Patent No.:** **US D806,041 S**
Holley et al. (45) **Date of Patent:** **** Dec. 26, 2017**

(54) **ATTACHMENT FOR AN ELECTRICAL CABLE**

(71) Applicants: **Shane Holley**, Windermere, FL (US);
Karl St. George, Phetchaburi (TH)

(72) Inventors: **Shane Holley**, Windermere, FL (US);
Karl St. George, Phetchaburi (TH)

(73) Assignee: **AXCEL ELECTRONICS, Thailand Co. Ltd.**, Phetchaburi (TH)

(**) Term: **15 Years**

(21) Appl. No.: **29/542,877**

(22) Filed: **Oct. 19, 2015**

(51) **LOC (10) Cl.** **13-03**

(52) **U.S. Cl.**
USPC **D13/153**

(58) **Field of Classification Search**

USPC D13/153, 133, 138.1, 139.1, 152, 154,
D13/156, 157; D9/428, 702, 710, 711,
D9/713, 715; D14/184, 199, 205, 228,
D14/238.1, 256; 379/431; 439/892, 894,
439/901

CPC G02B 6/387; G02B 6/3897; G11B 33/027;
H01R 4/70; H04N 5/2252

See application file for complete search history.

(56) **References Cited**

U.S. PATENT DOCUMENTS

D478,871 S *	8/2003	Beaton	D13/152
D550,077 S *	9/2007	Lagreca	D9/428
D561,022 S *	2/2008	Terrasi	D9/424
D622,667 S *	8/2010	Lin	D13/147
D684,122 S *	6/2013	Strater	D13/153

* cited by examiner

Primary Examiner — Wan Laymon

Assistant Examiner — Mark Booker

(74) *Attorney, Agent, or Firm* — Christopher M. Ramsey;
GrayRobinson, P.A.

(57) **CLAIM**

The ornamental design of an attachment for an electrical cable, substantially as shown and described.

DESCRIPTION

FIG. 1 is a top rear perspective view of a first embodiment of an attachment for an electrical cable;

FIG. 2 is a top front perspective view of the attachment in FIG. 1;

FIG. 3 is a top view thereof;

FIG. 4 is bottom view thereof;

FIG. 5 is a front view thereof;

FIG. 6 is a rear view thereof;

FIG. 7 is a left side view thereof;

FIG. 8 is a right side view thereof;

FIG. 9 is a top rear perspective view of a second embodiment of an attachment for an electrical cable;

FIG. 10 is a top front perspective view of the attachment in FIG. 9;

FIG. 11 is a top view thereof;

FIG. 12 is bottom view thereof;

FIG. 13 is a front view thereof;

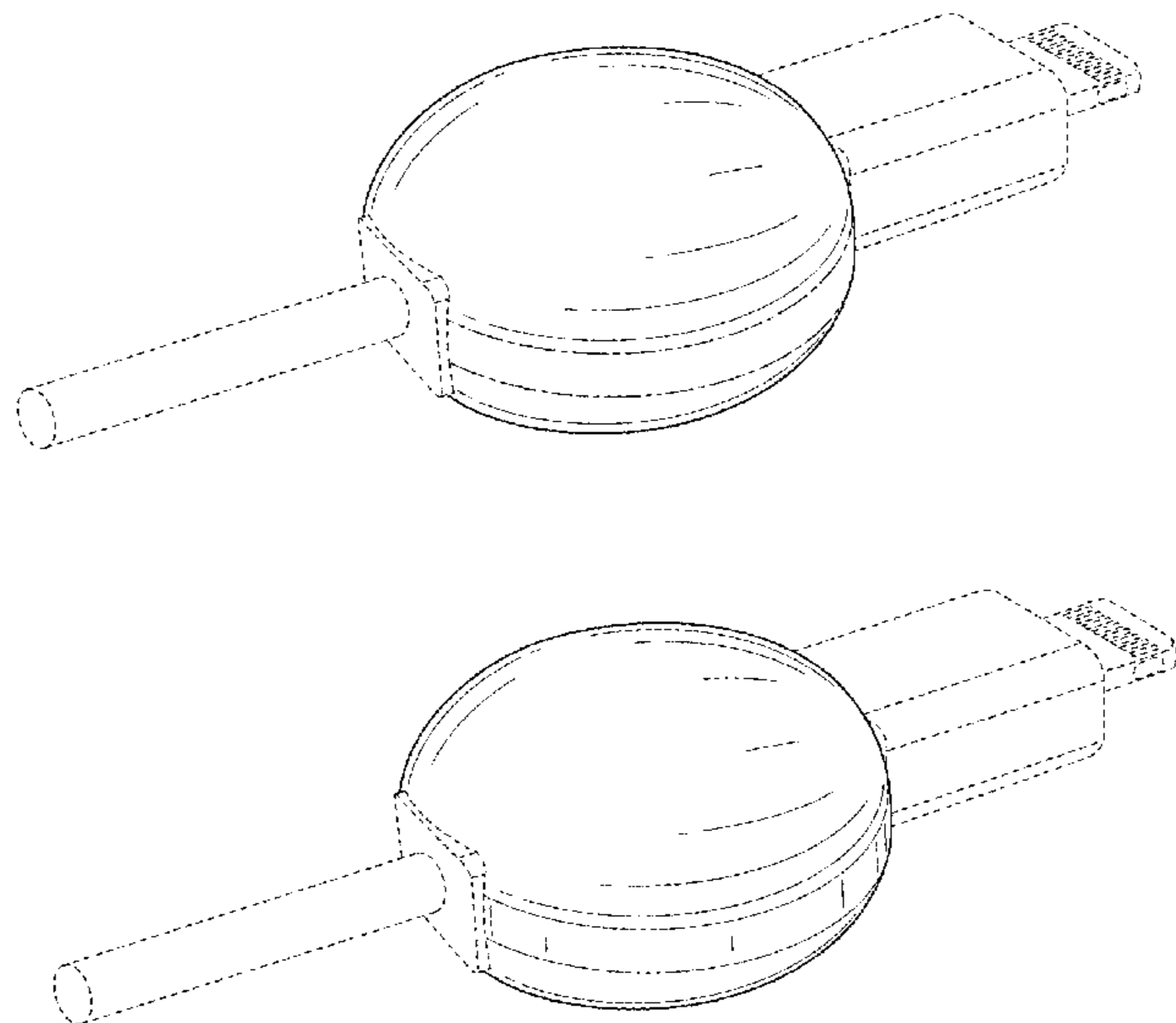
FIG. 14 is a rear view thereof;

FIG. 15 is a left side view thereof; and,

FIG. 16 is a right side view thereof.

The dash-dash-dash-dash broken lines shown in the drawing views are included for the purpose of illustrating portions of the attachment for an electrical cable that form no part of the claimed design. The dash-dot-dash-dot broken lines shown in the drawing views define the boundary of the claimed design.

1 Claim, 10 Drawing Sheets



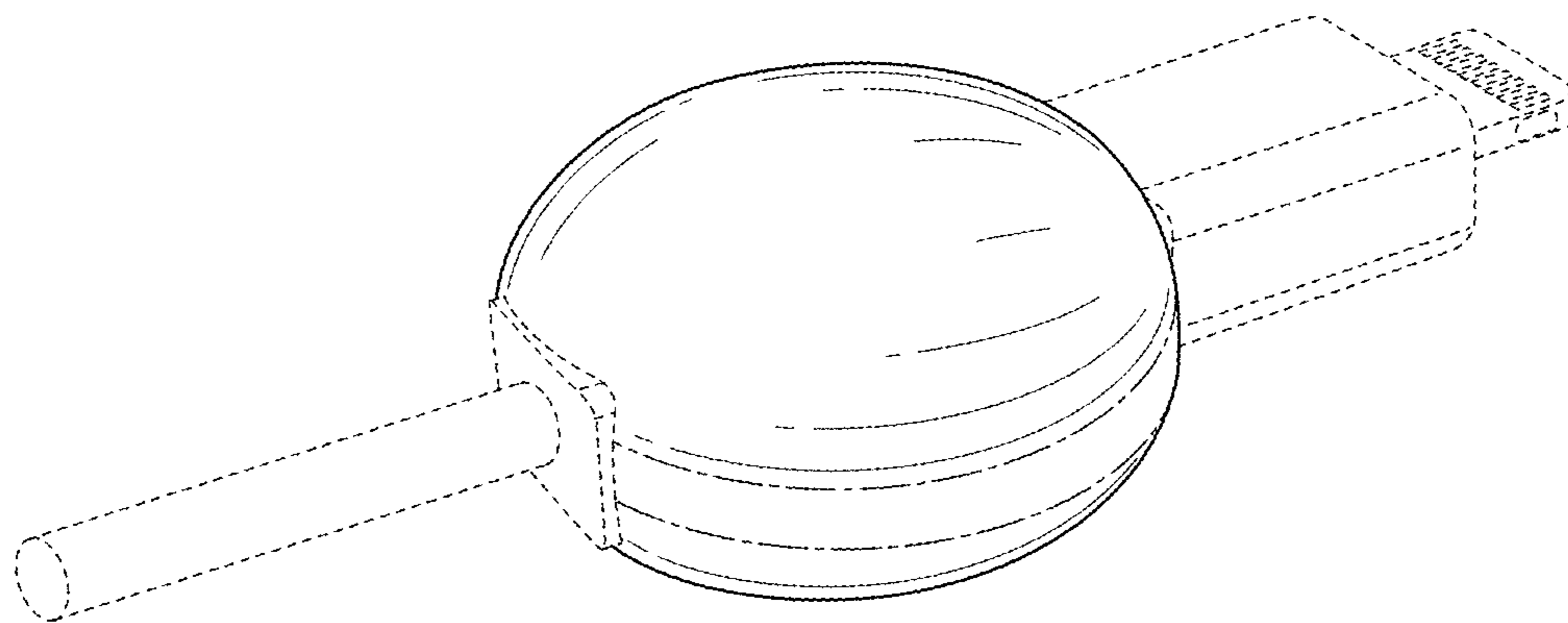


FIG. 1

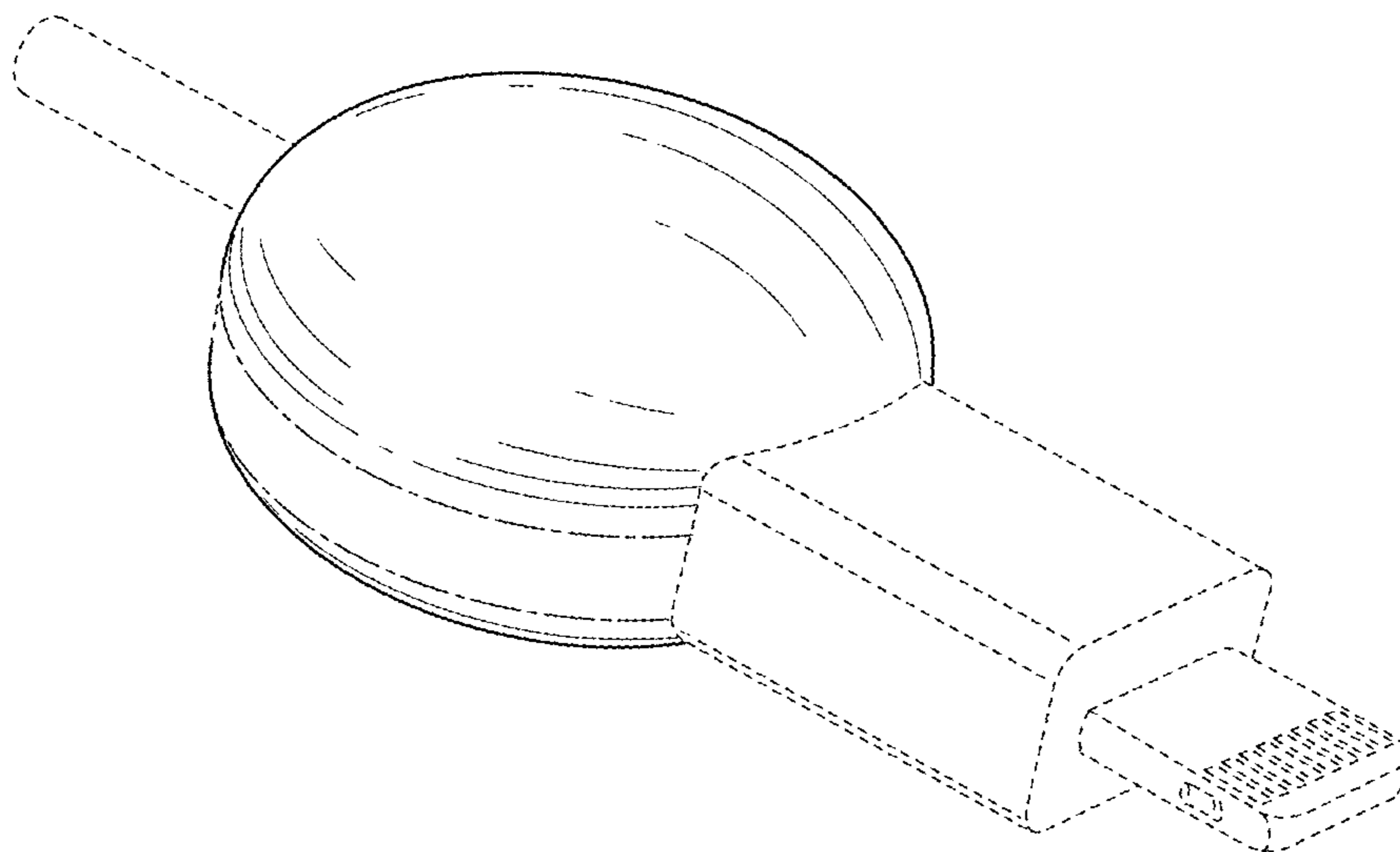


FIG. 2

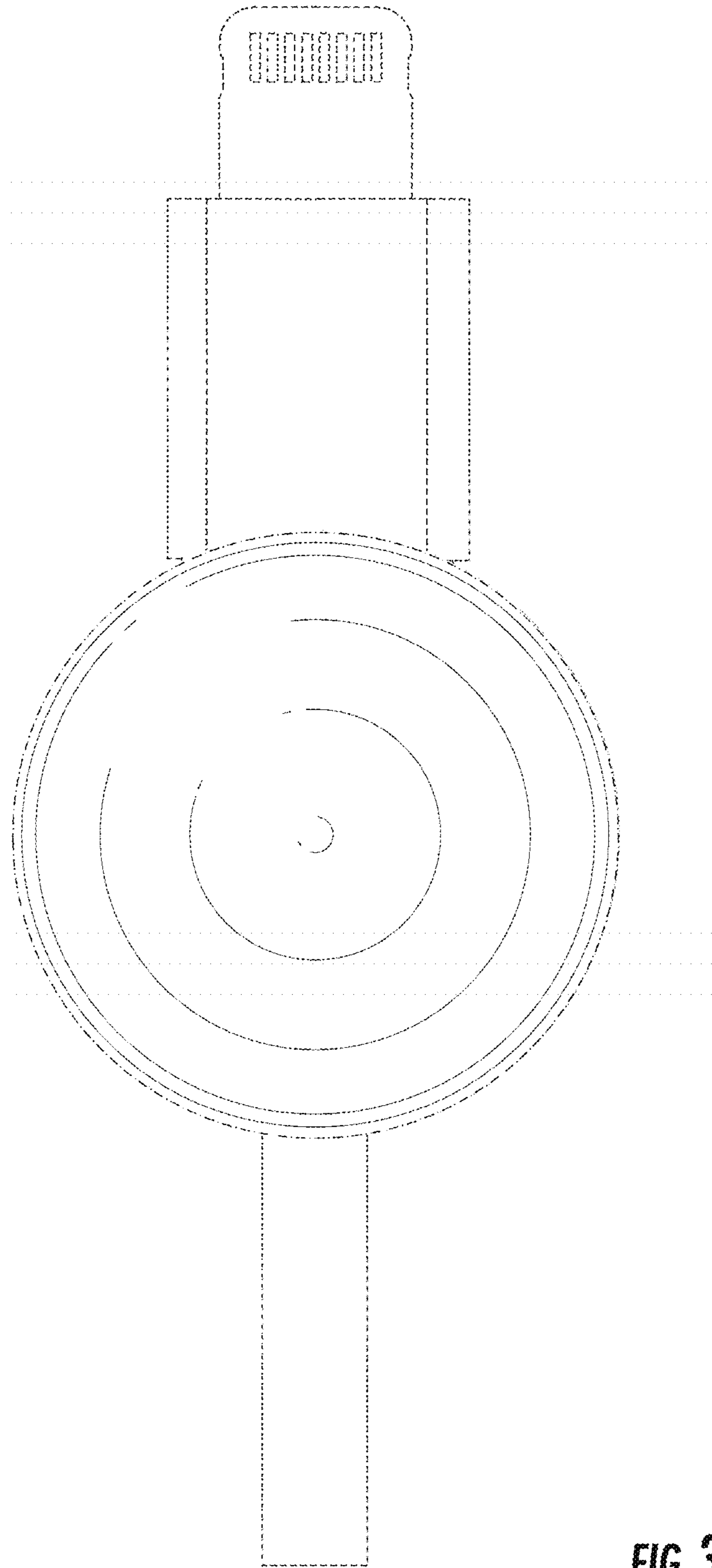


FIG. 3

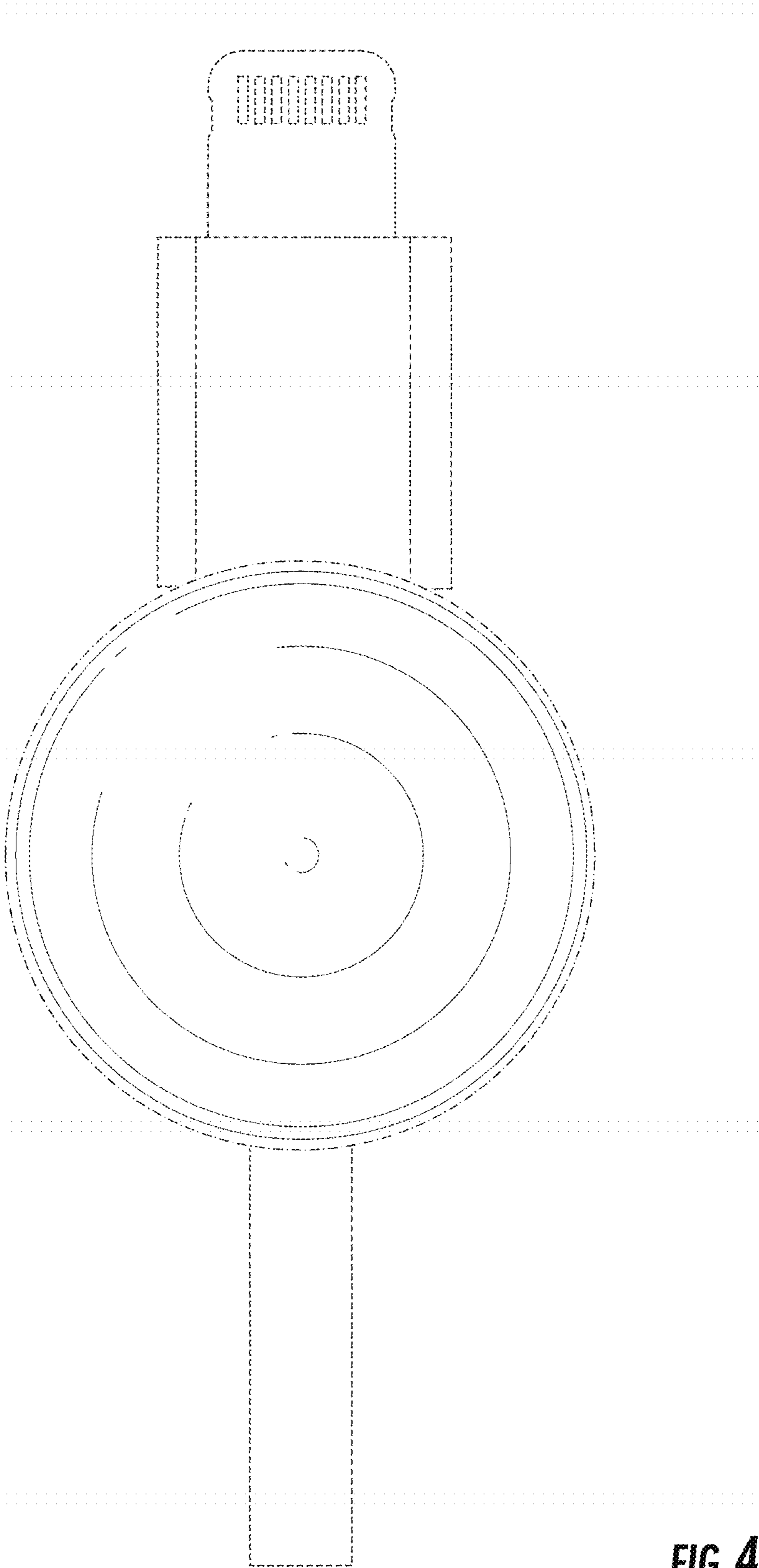


FIG. 4

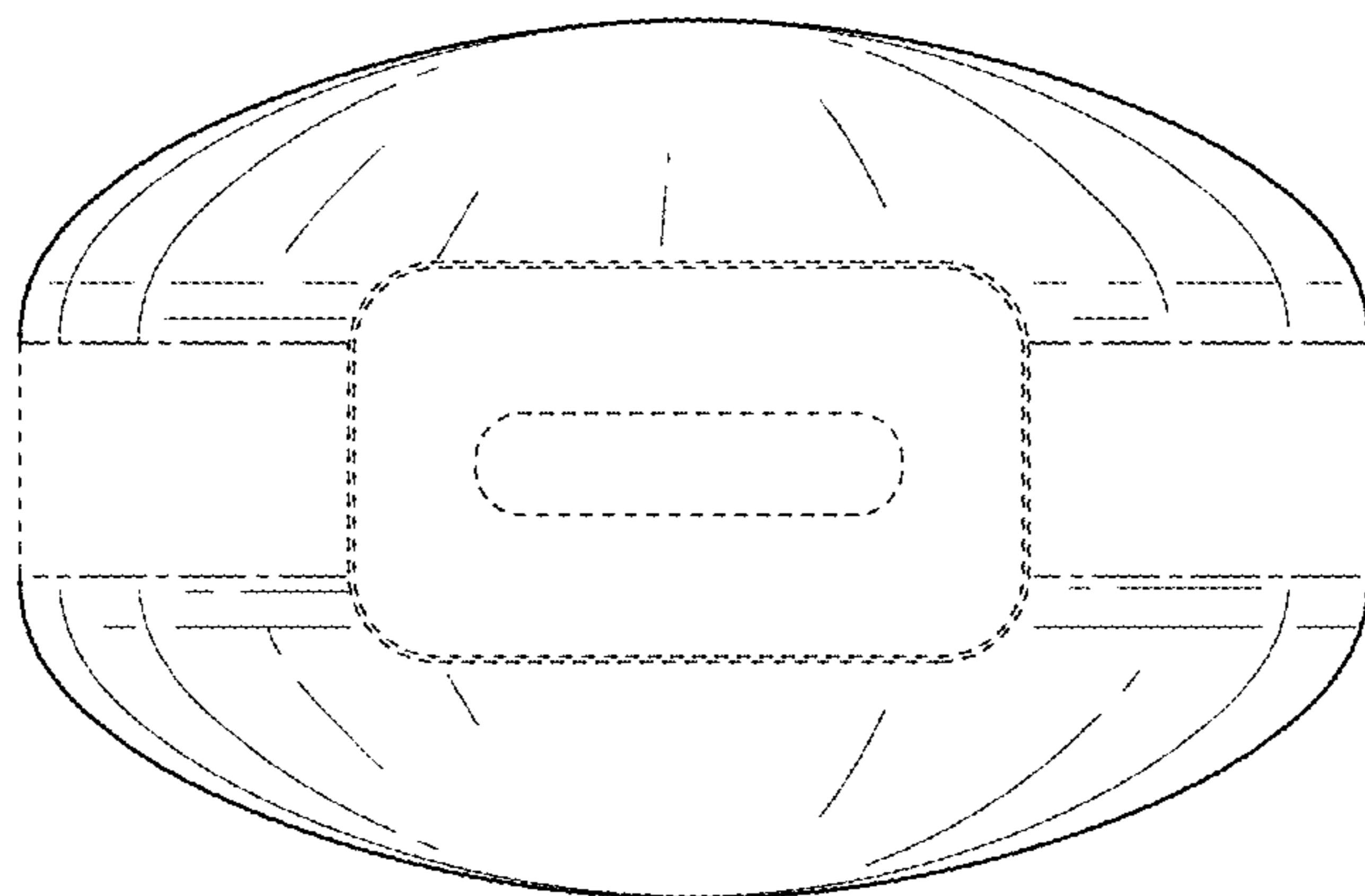


FIG. 5

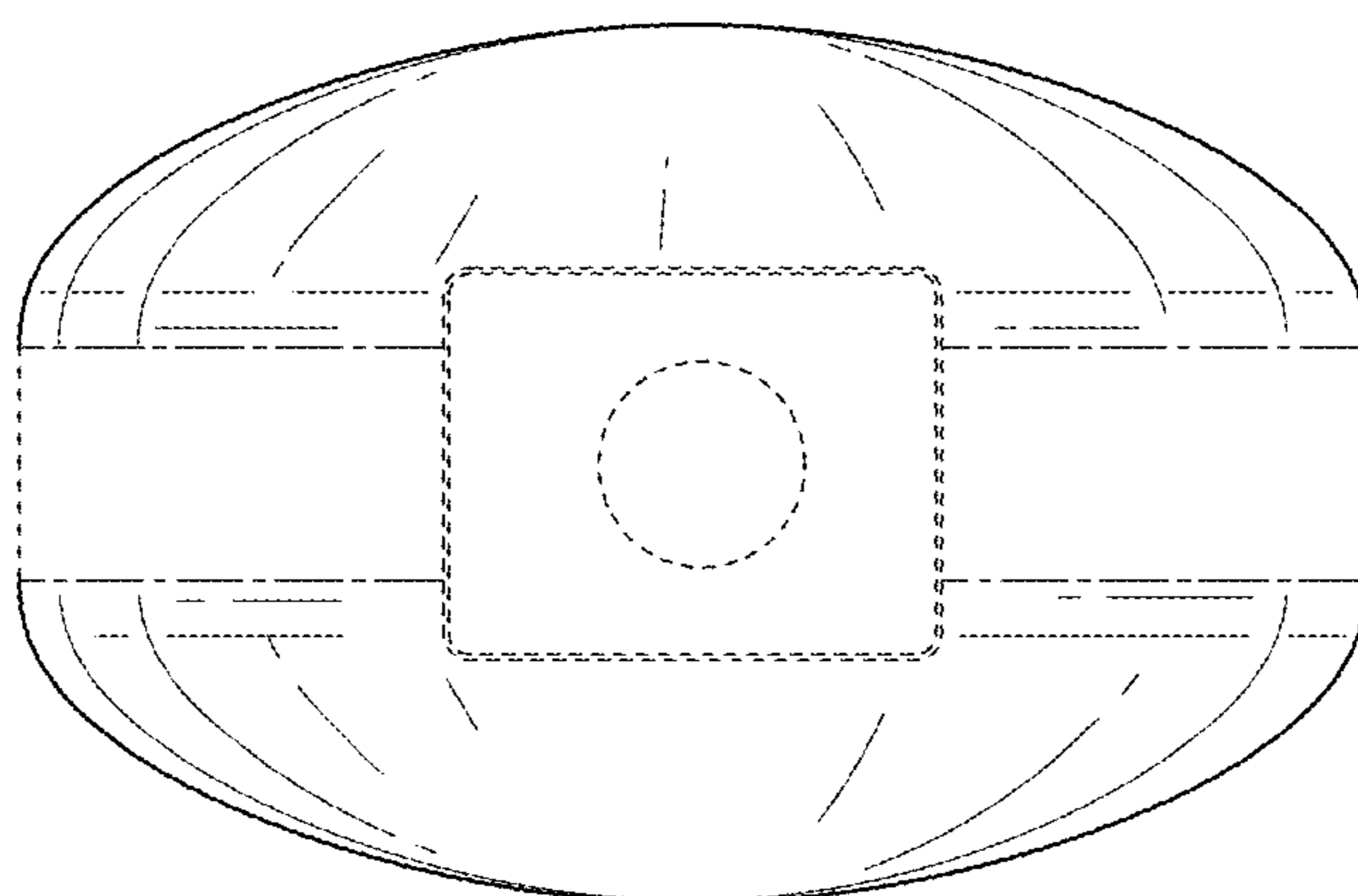


FIG. 6

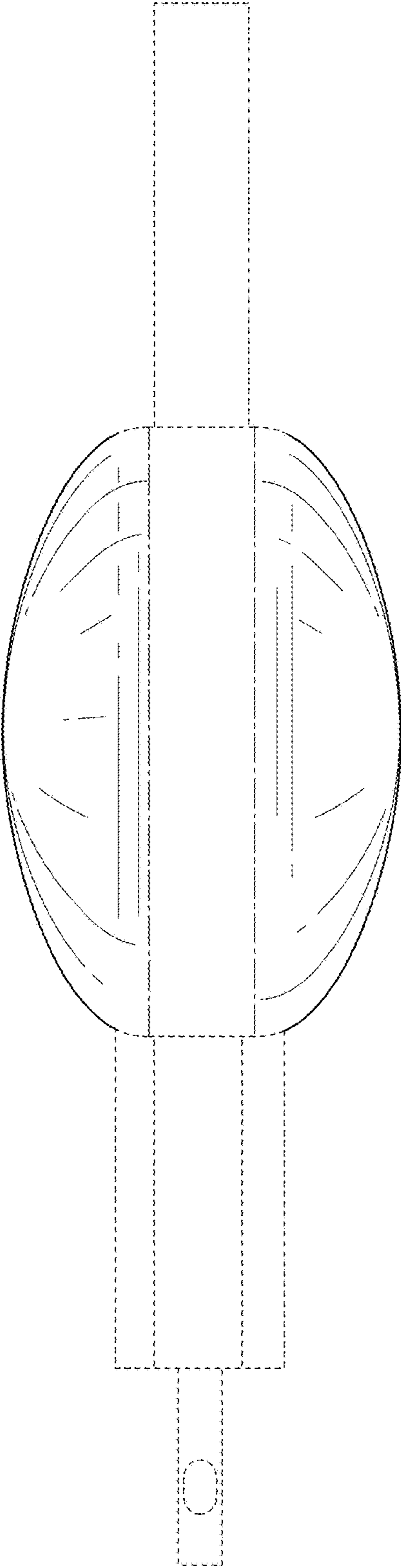


FIG. 7

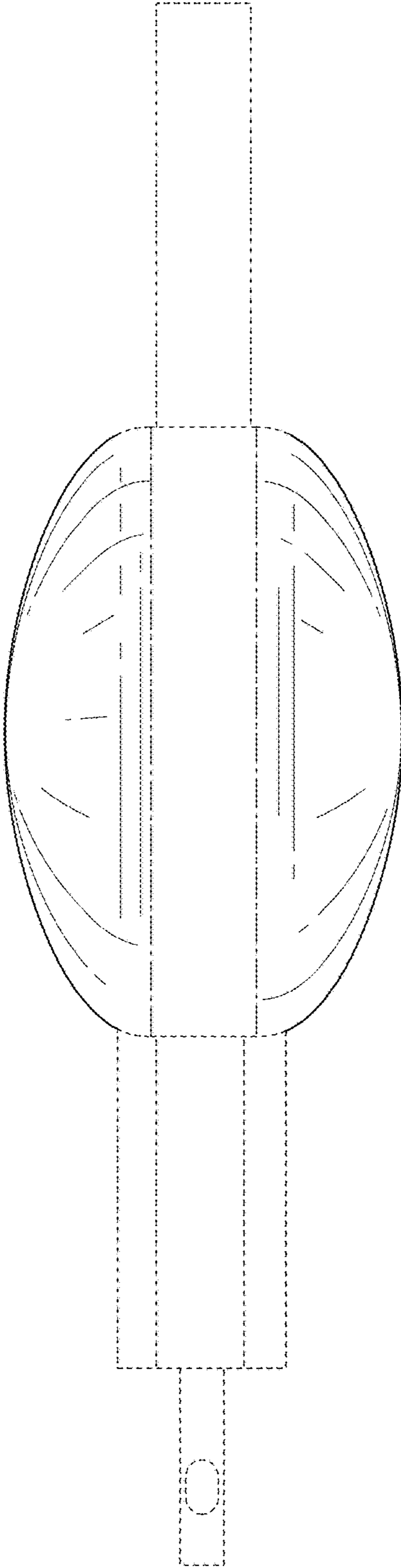


FIG. 8

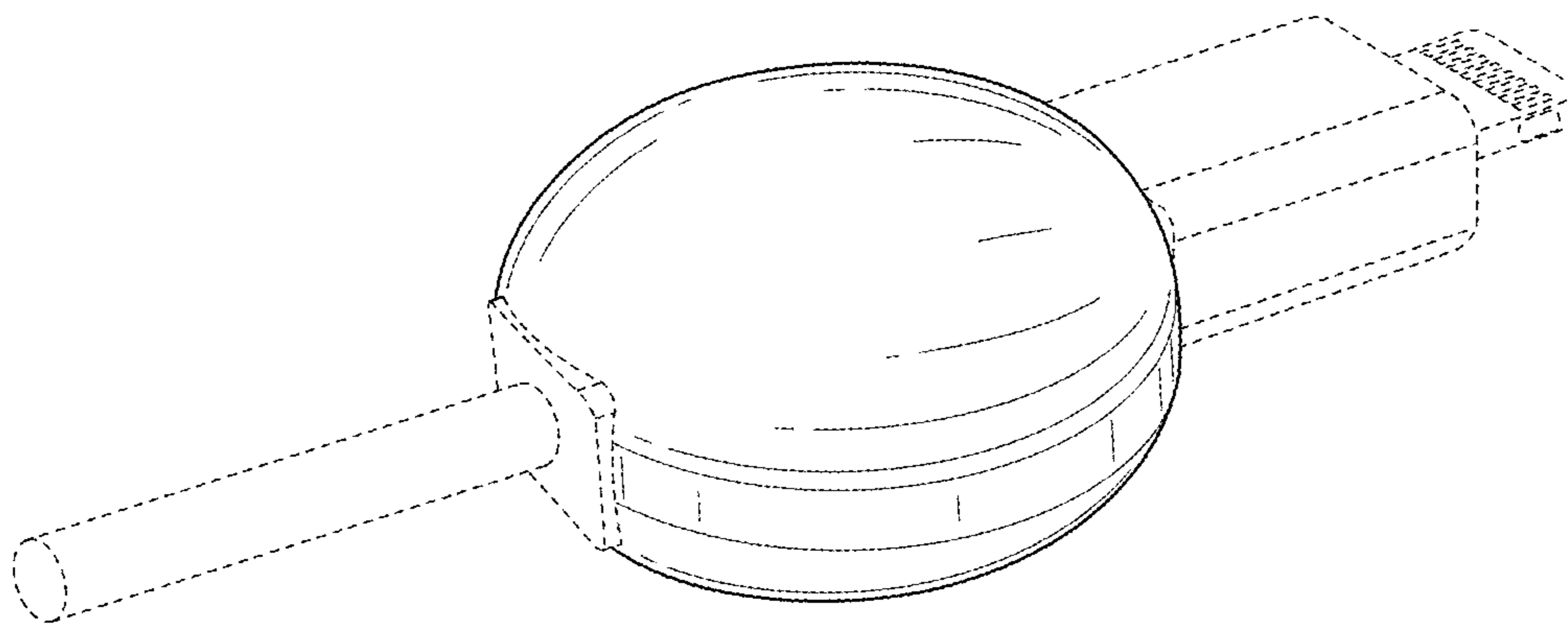


FIG. 9

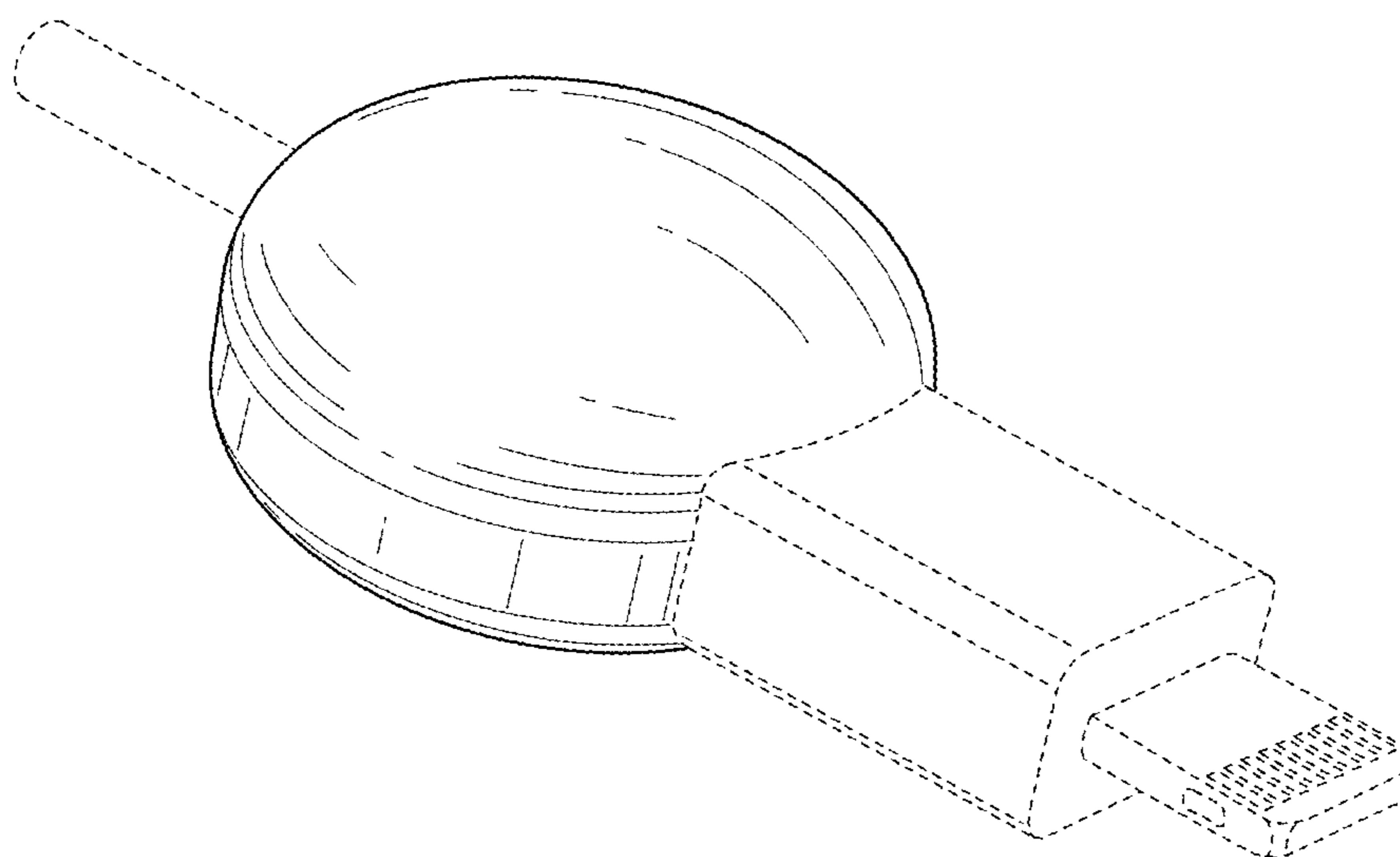


FIG. 10

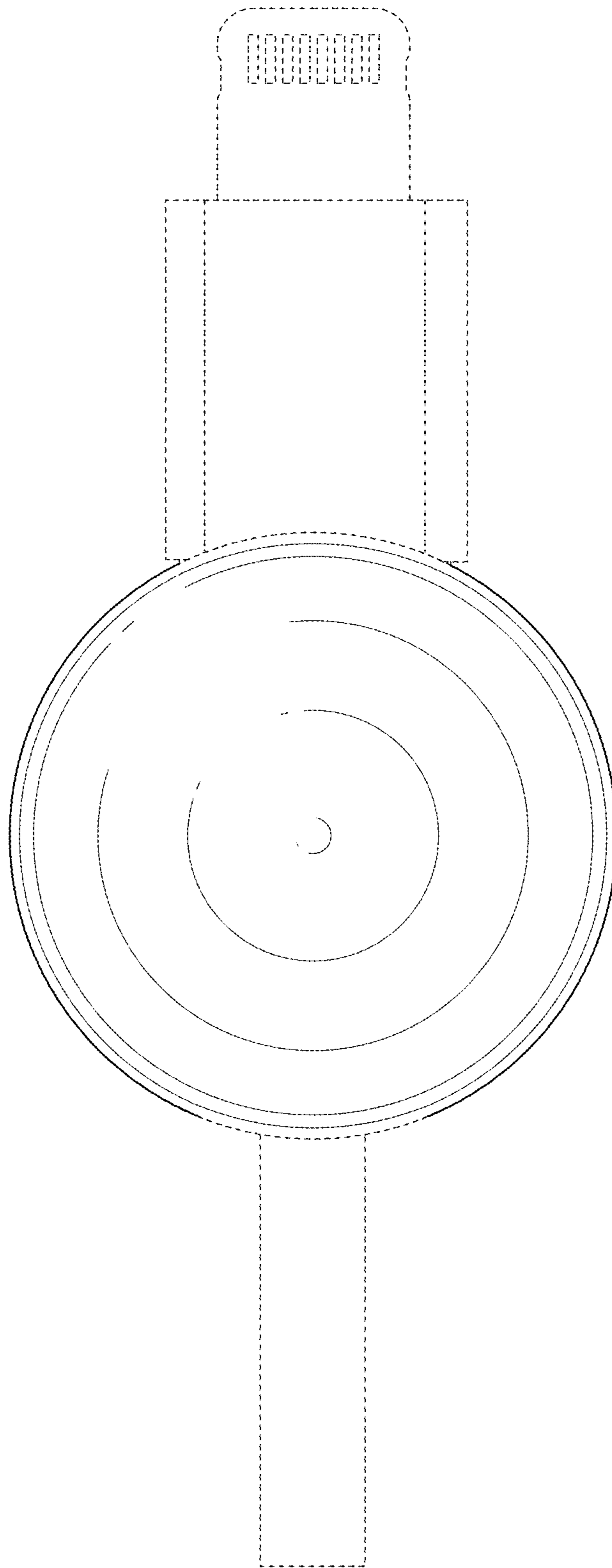


FIG. 11

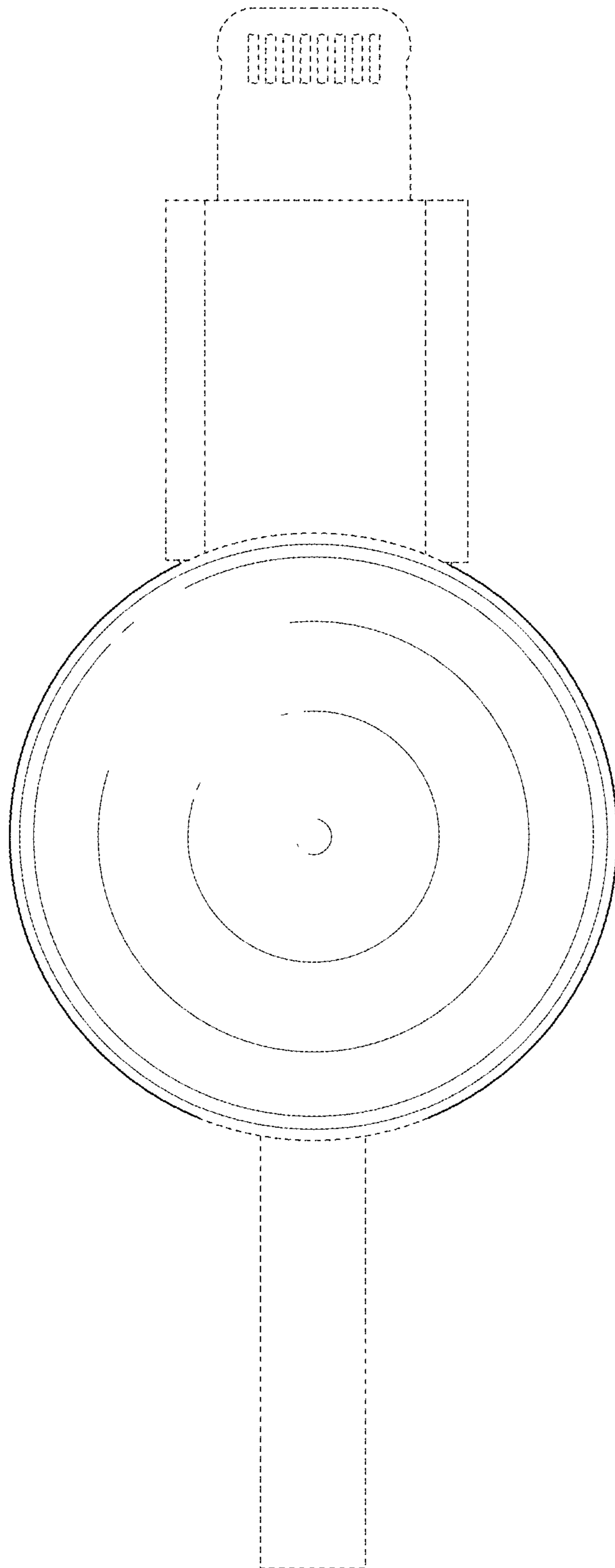


FIG. 12

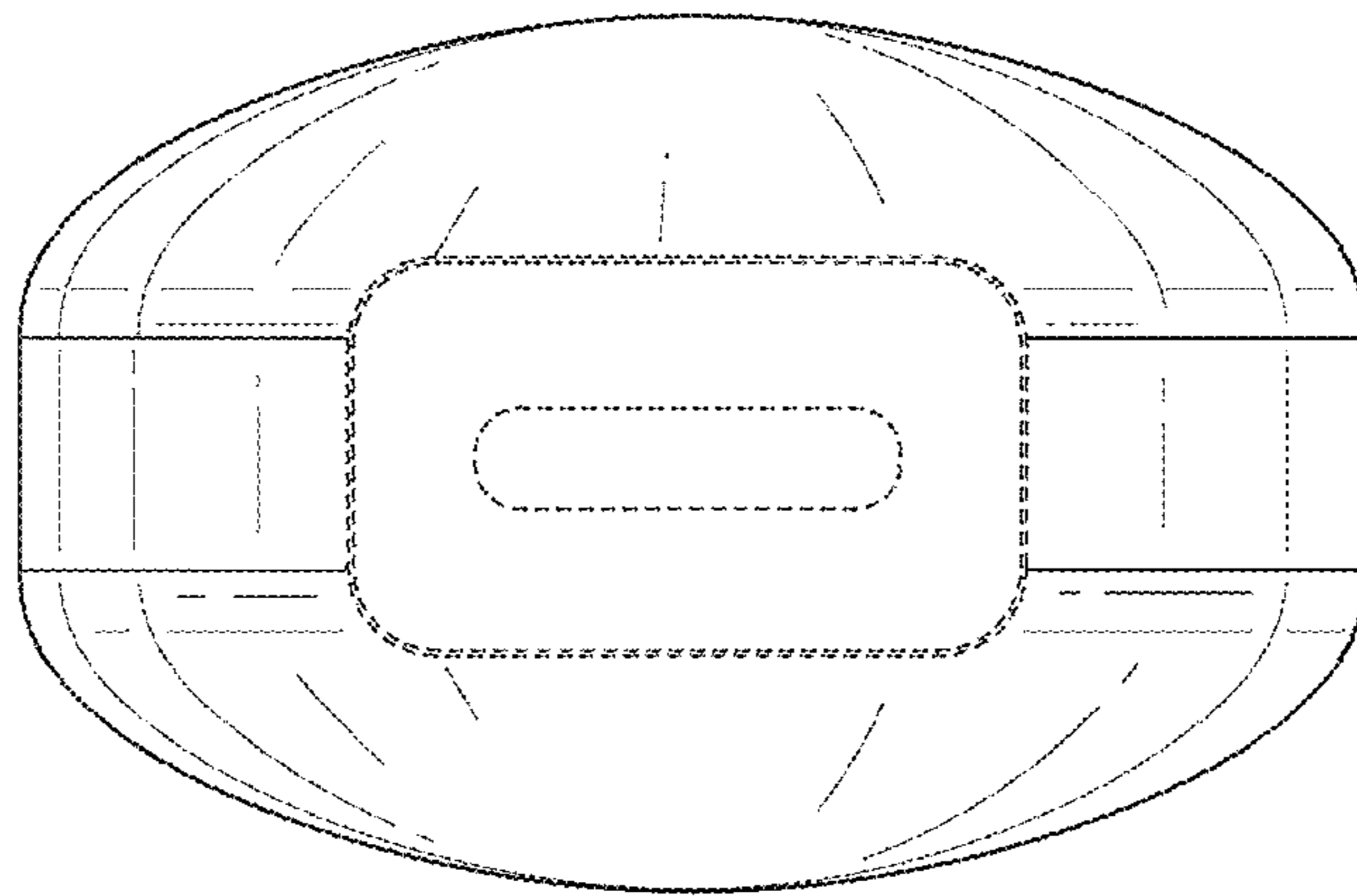


FIG. 13

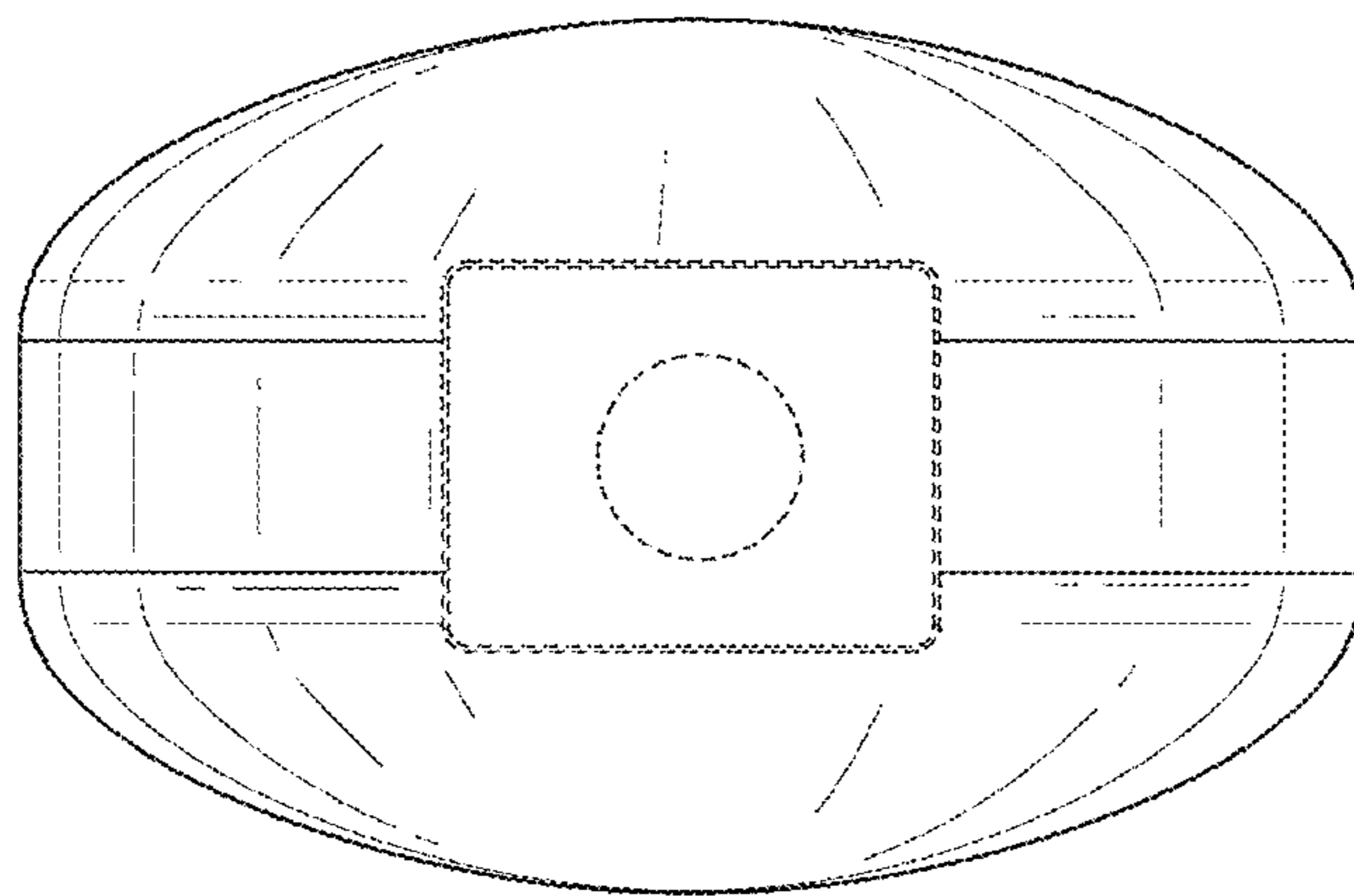


FIG. 14

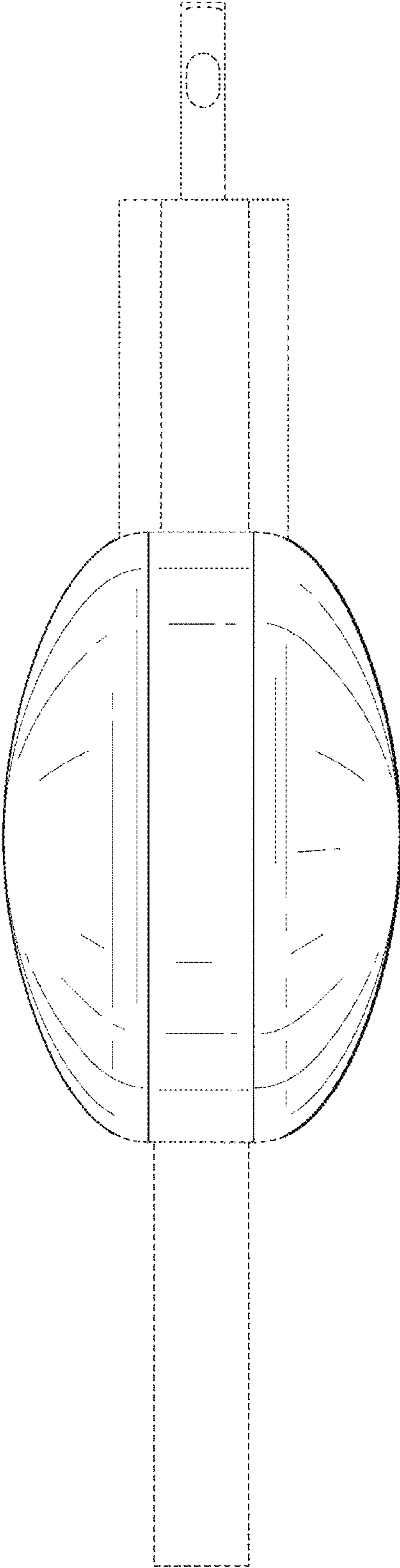


FIG. 15

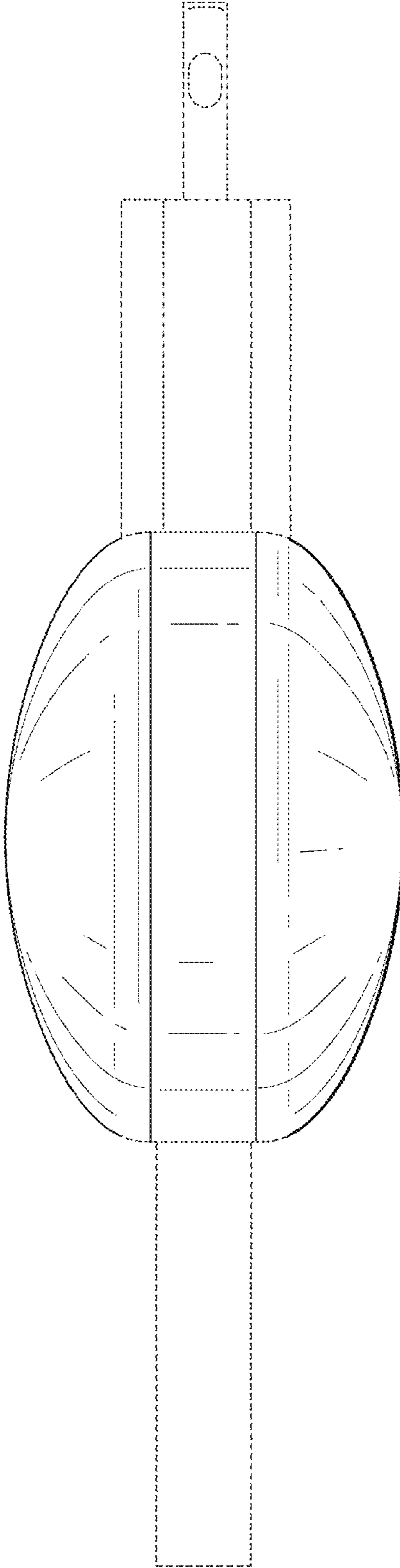


FIG. 16