



US00D806039S

(12) **United States Design Patent** (10) **Patent No.:** **US D806,039 S**  
**Perlaguri et al.** (45) **Date of Patent:** **\*\* Dec. 26, 2017**

(54) **BUSBAR**

(71) Applicant: **GENERAL ELECTRIC COMPANY**,  
Schenectady, NY (US)

(72) Inventors: **Shreenath Shekar Perlaguri**,  
Bangalore (IN); **Sarit Ratadiya**,  
Bangalore (IN); **Jacob Alan Hubbell**,  
Erie, PA (US); **Mark Allen Murphy**,  
Erie, PA (US); **Jain Raj Vettuvazhy**  
**Puthenpurayil**, Bangalore (IN)

(73) Assignee: **General Electric Company**,  
Schenectady, NY (US)

(\*\*) Term: **15 Years**

(21) Appl. No.: **29/586,335**

(22) Filed: **Dec. 2, 2016**

**Related U.S. Application Data**

(62) Division of application No. 29/565,997, filed on May 26, 2016, now Pat. No. Des. 784,265, which is a division of application No. 29/524,303, filed on Apr. 20, 2015, now Pat. No. Des. 760,658.

(51) **LOC (10) Cl.** ..... **13-03**

(52) **U.S. Cl.**  
USPC ..... **D13/147; D13/154**

(58) **Field of Classification Search**

USPC ..... D13/120, 133, 146, 147, 154, 184, 199;  
D14/432, 433, 435, 435.1, 436, 437, 438  
See application file for complete search history.

(56) **References Cited**

U.S. PATENT DOCUMENTS

D760,658 S \* 7/2016 Perlaguri ..... D13/147  
D784,265 S \* 4/2017 Perlaguri ..... D13/147

\* cited by examiner

*Primary Examiner* — Daniel Bui

(74) *Attorney, Agent, or Firm* — Global Patent Operation;  
John A. Kramer

(57) **CLAIM**

The ornamental design for a busbar, as shown and described.

**DESCRIPTION**

FIG. 1 is a front perspective view of a busbar showing our new design;

FIG. 2 is a front view thereof;

FIG. 3 is a first end view thereof;

FIG. 4 is a second end view thereof;

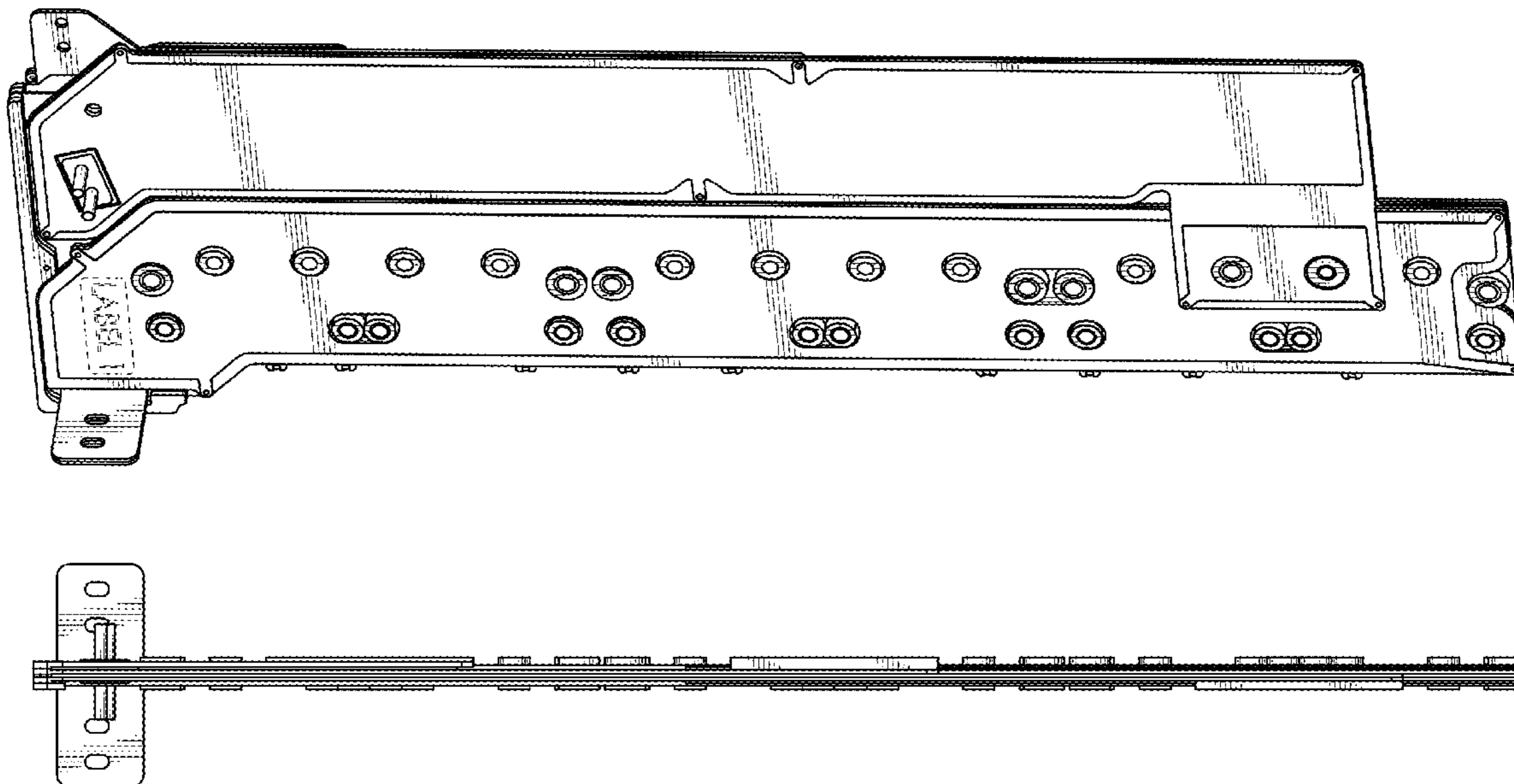
FIG. 5 is a first side view thereof;

FIG. 6 is a second side view thereof; and,

FIG. 7 is a rear view thereof.

The broken line portion of the figure drawings is included to show unclaimed subject matter only and forms no part of the claimed designs.

**1 Claim, 5 Drawing Sheets**



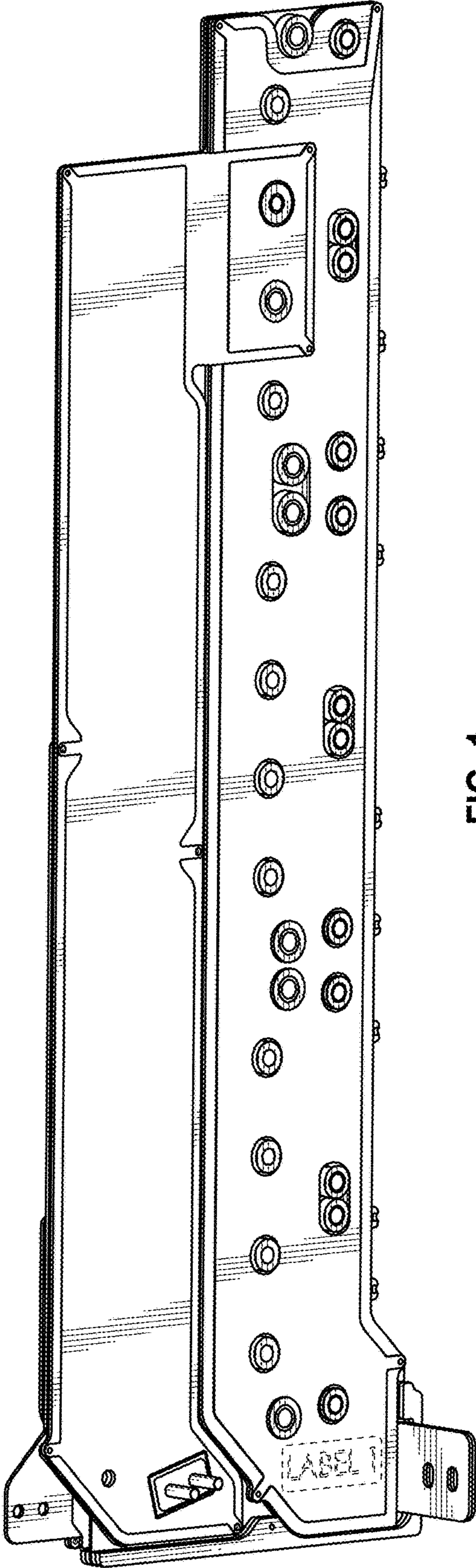


FIG. 1

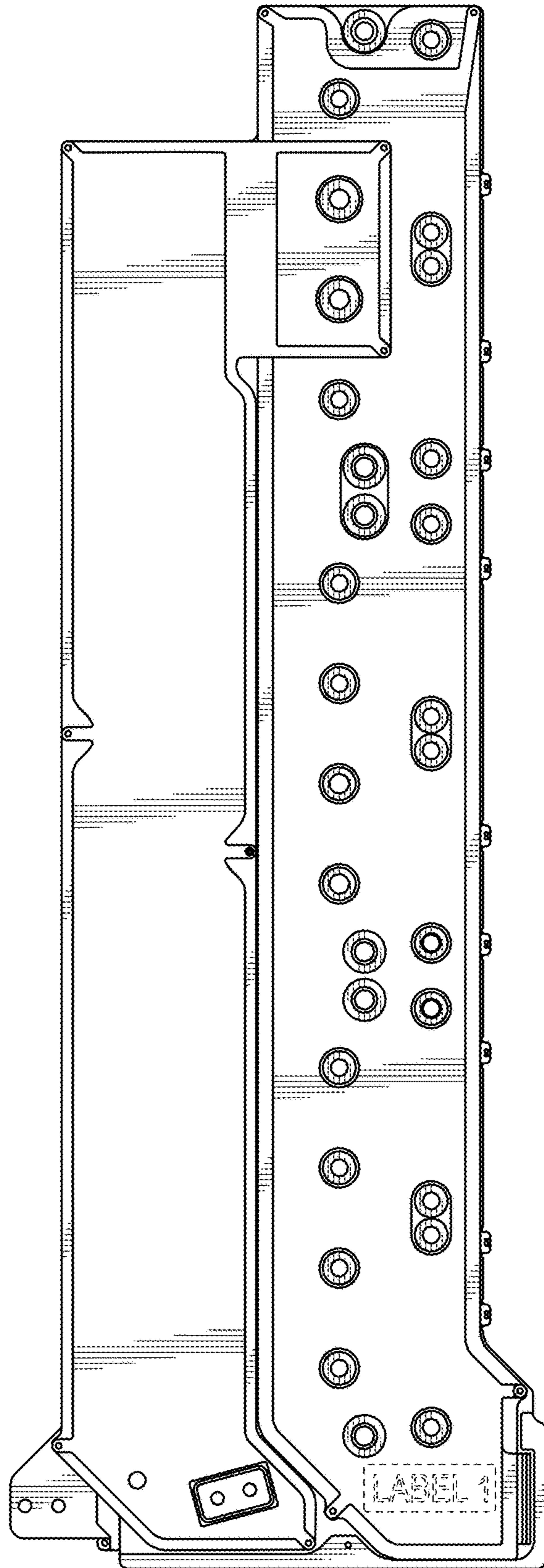


FIG. 2

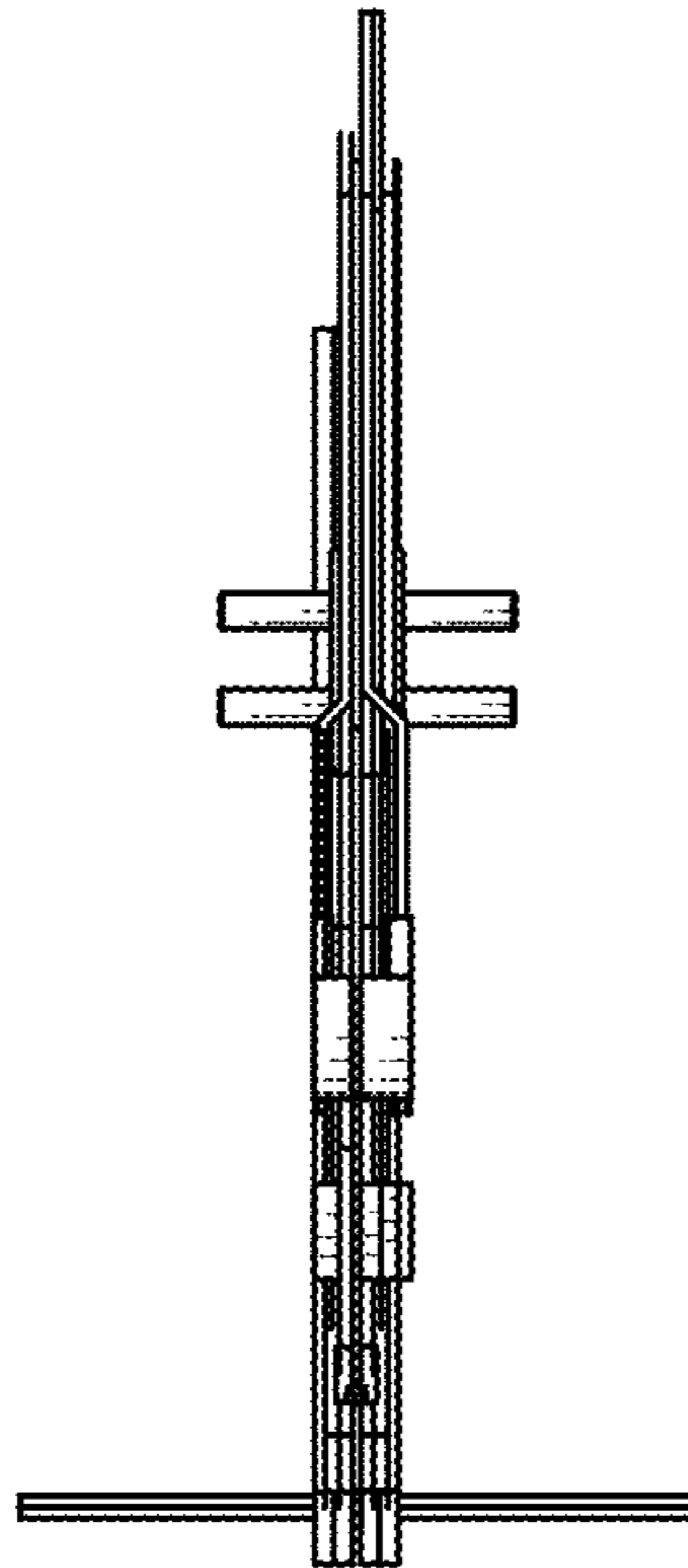


FIG. 3

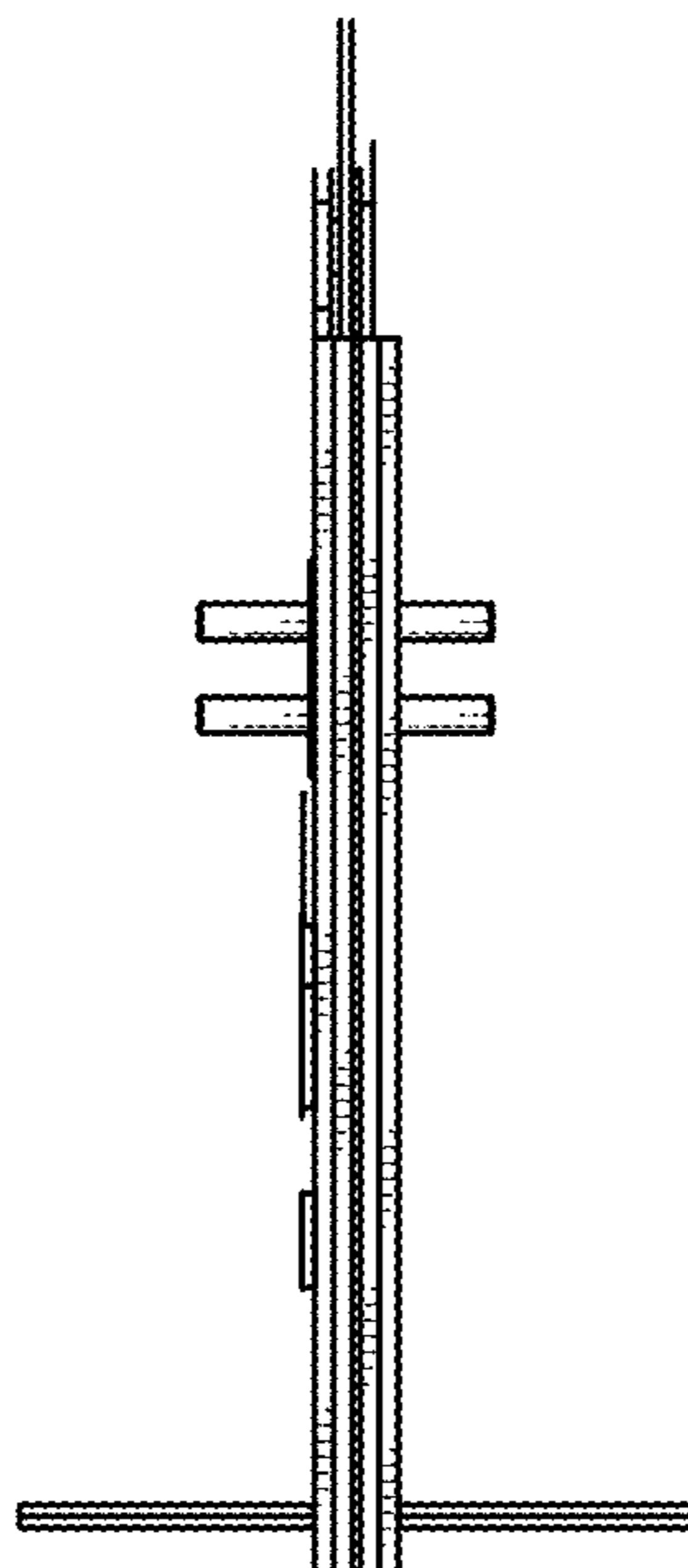


FIG. 4



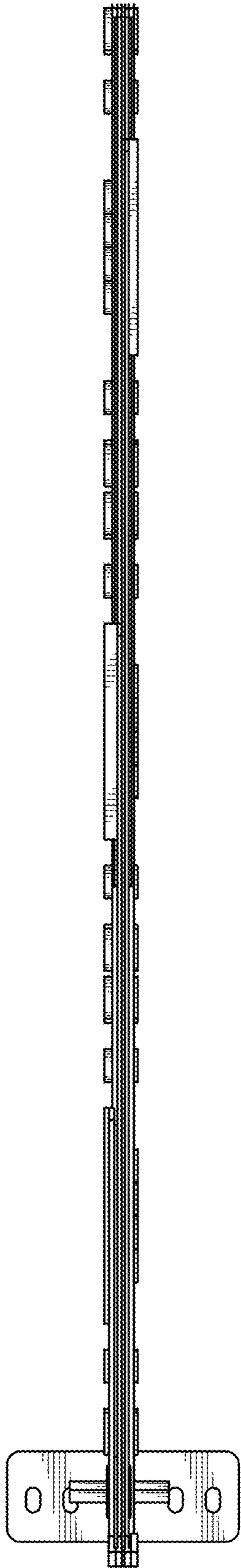


FIG. 5

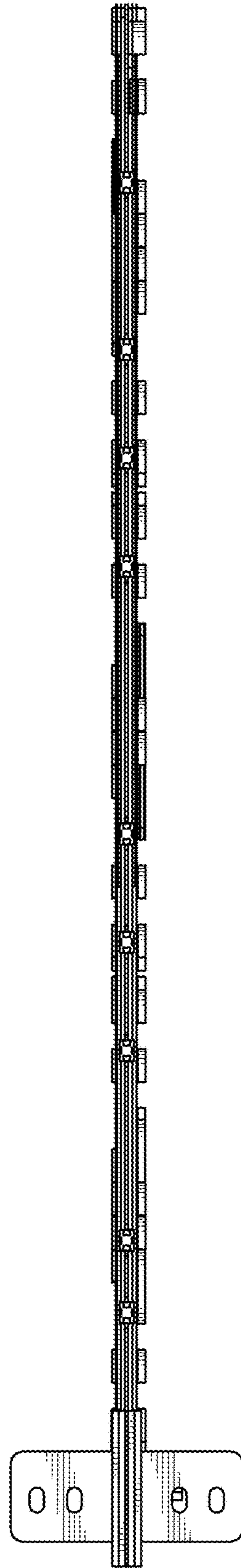


FIG. 6

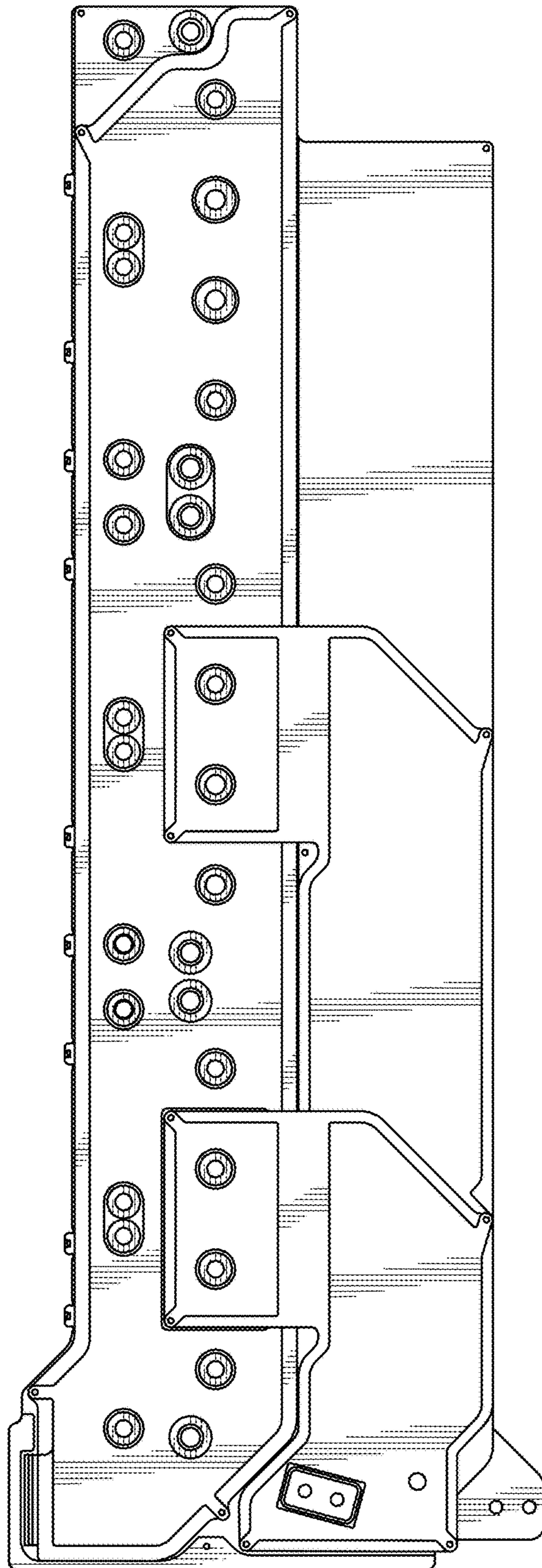


FIG. 7