



US00D806038S

(12) **United States Design Patent**
Zhang et al.

(10) **Patent No.:** **US D806,038 S**

(45) **Date of Patent:** **** Dec. 26, 2017**

(54) **CONNECTION DEVICE**

(71) Applicant: **EATON CORPORATION**, Cleveland,
OH (US)

(72) Inventors: **Xianzhen Zhang**, Shanghai (CN);
Shifang Zhang, Shanghai (CN);
Haidong Zhang, Shanghai (CN); **Tao Xiong**,
Shanghai (CN); **Lili Du**, Shanghai (CN);
Lin Yang, Shanghai (CN)

(73) Assignee: **EATON CORPORATION**, Cleveland,
OH (US)

(**) Term: **15 Years**

(21) Appl. No.: **29/576,589**

(22) Filed: **Sep. 6, 2016**

(51) **LOC (10) Cl.** **13-03**

(52) **U.S. Cl.**
USPC **D13/147**

(58) **Field of Classification Search**
USPC D13/133, 146, 147, 154, 156, 184, 199;
D14/432, 433, 434, 435.1, 438
CPC B60L 11/1818; B60L 11/1824; H01R
13/175; H01R 13/665
See application file for complete search history.

(56) **References Cited**

U.S. PATENT DOCUMENTS

D370,204 S * 5/1996 Kittridge D13/146
D667,379 S * 9/2012 Fukushima D13/133

D669,033 S * 10/2012 Senk D13/133
D700,143 S * 2/2014 Ichio D13/120
D706,720 S * 6/2014 Gette D13/147
D743,893 S * 11/2015 Kuribayashi D13/146
D768,082 S * 10/2016 Chuang D13/146

* cited by examiner

Primary Examiner — Daniel Bui

(74) *Attorney, Agent, or Firm* — Eckert Seamans; Brij
Agarwal; Grant Coffield

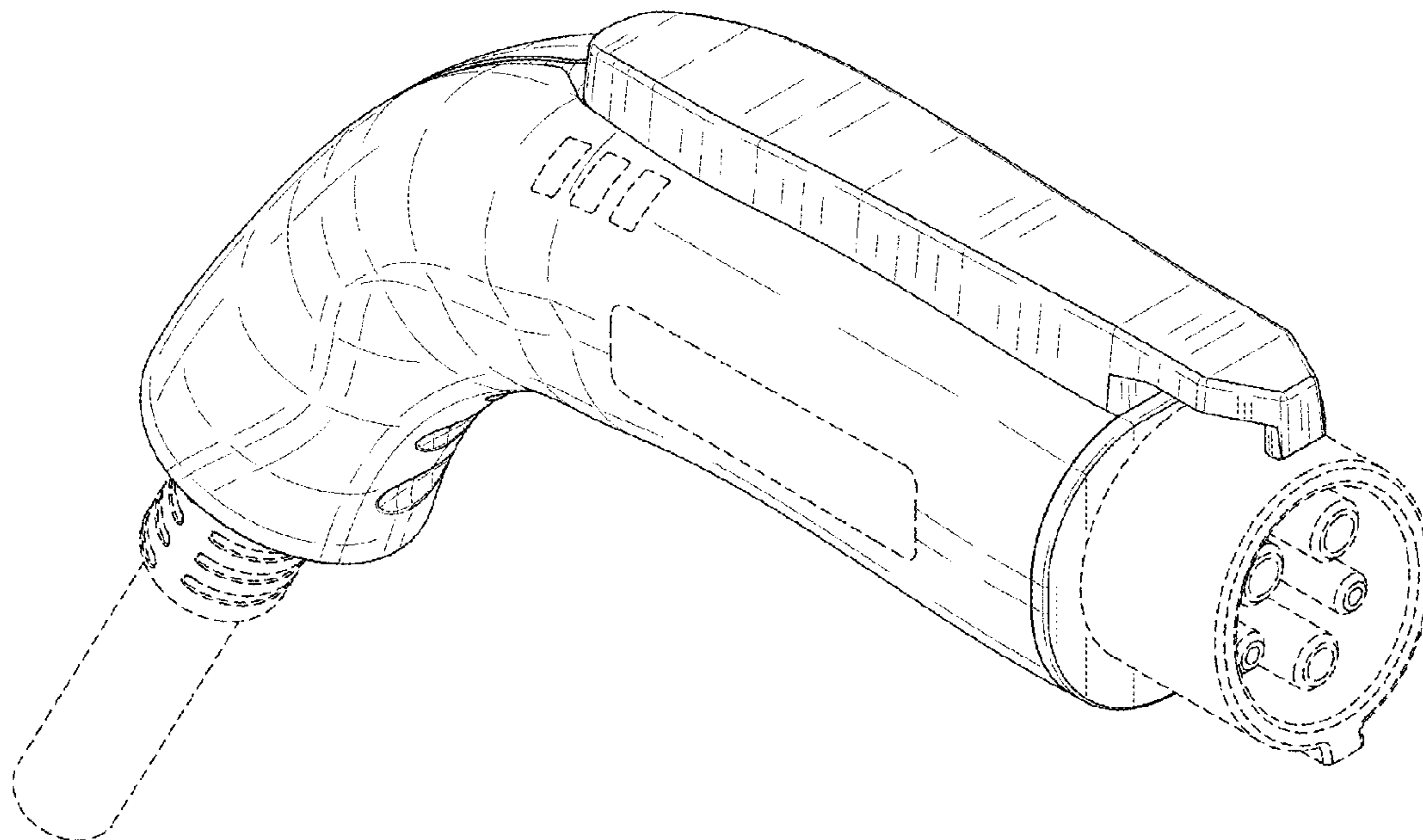
(57) **CLAIM**

The ornamental design for a connection device, as shown
and described.

DESCRIPTION

FIG. 1 is a perspective view of a connection device showing
our new design;
FIG. 2 is a front elevational view thereof;
FIG. 3 is a right side elevational view thereof;
FIG. 4 is a left side elevational view thereof;
FIG. 5 is a rear elevational view thereof;
FIG. 6 is a top plan view thereof; and,
FIG. 7 is a bottom plan view thereof.
The dashed lines are for illustration of environmental subject
matter only and form no part of the claimed design.

1 Claim, 7 Drawing Sheets



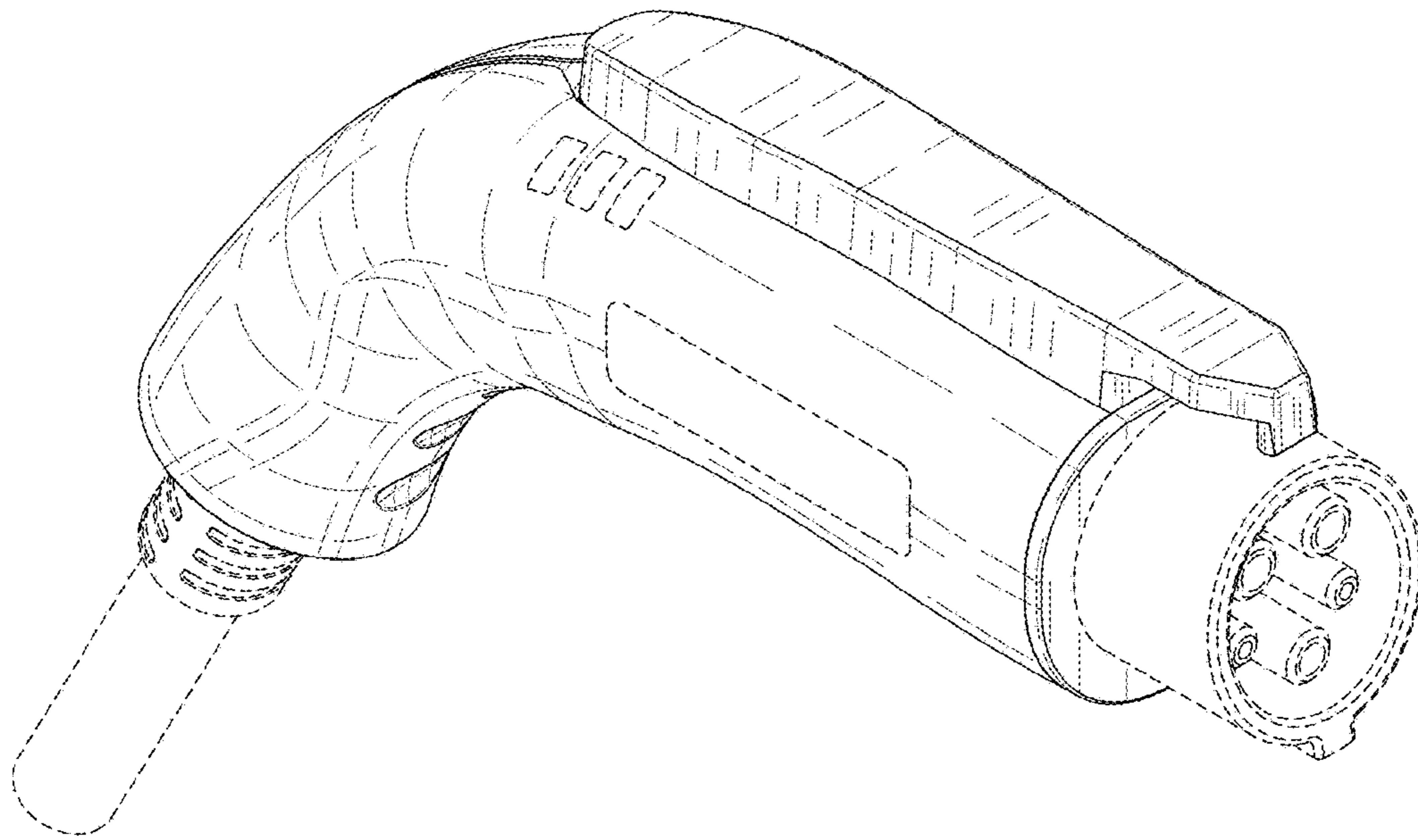


FIG. 1

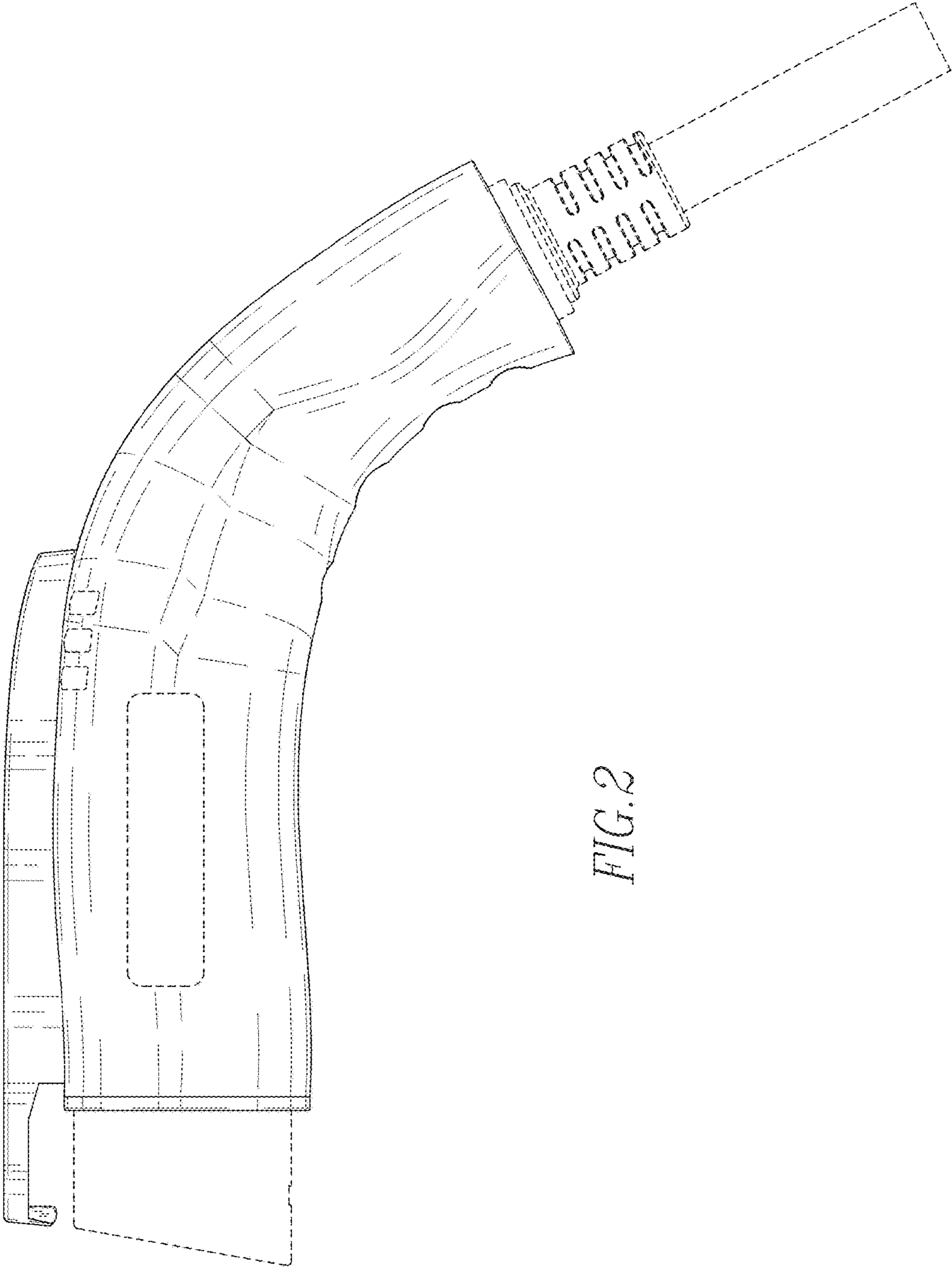


FIG. 2

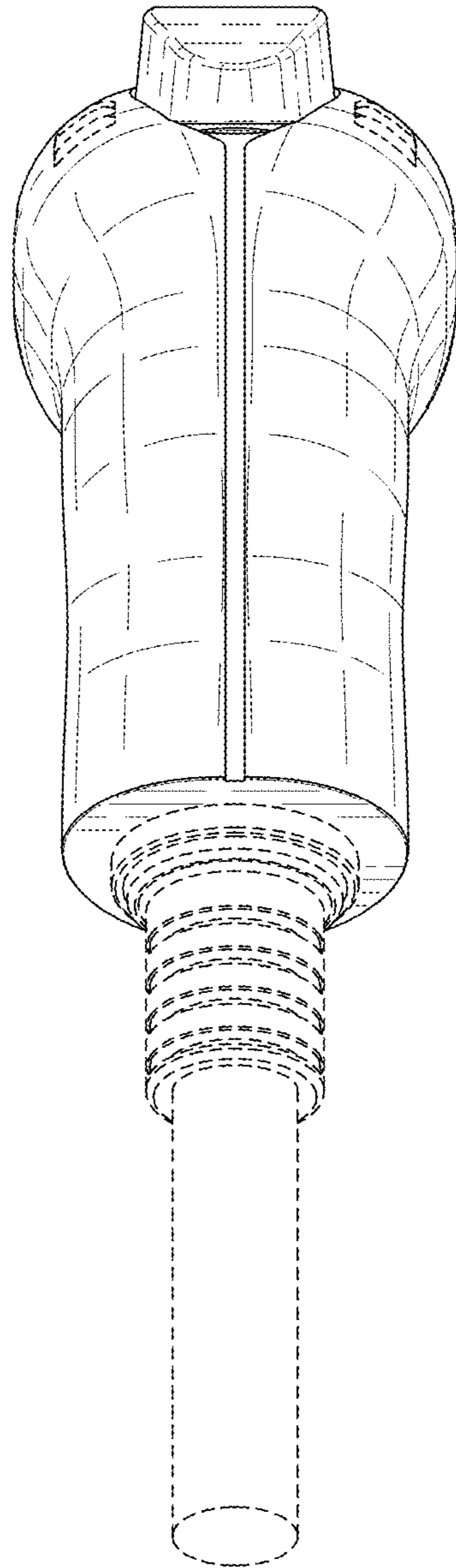


FIG. 3

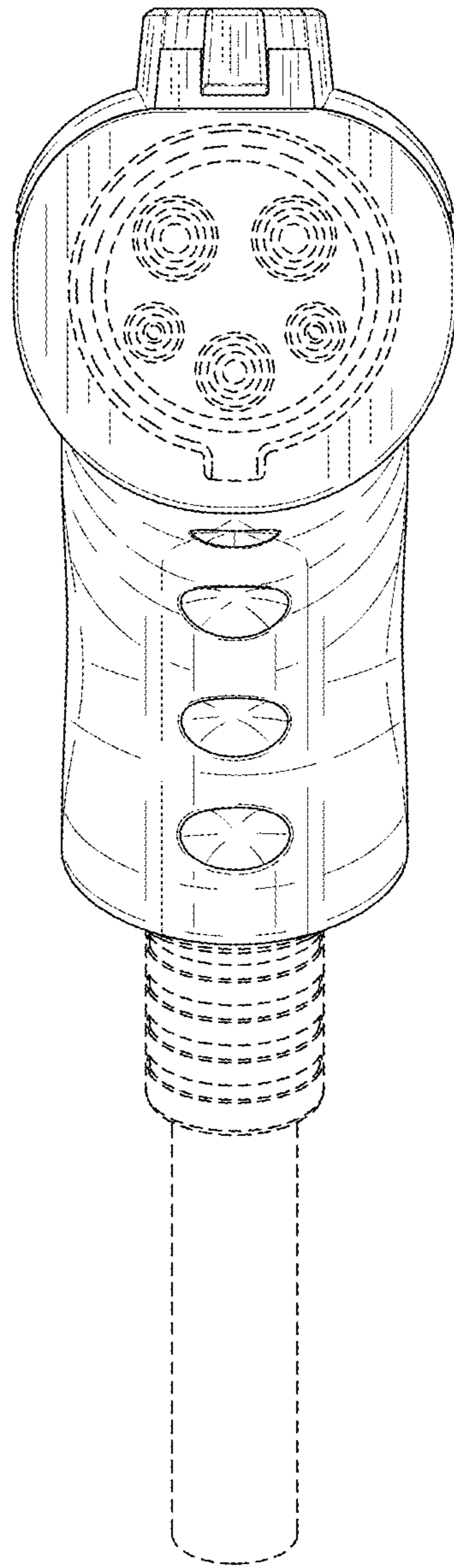


FIG. 4

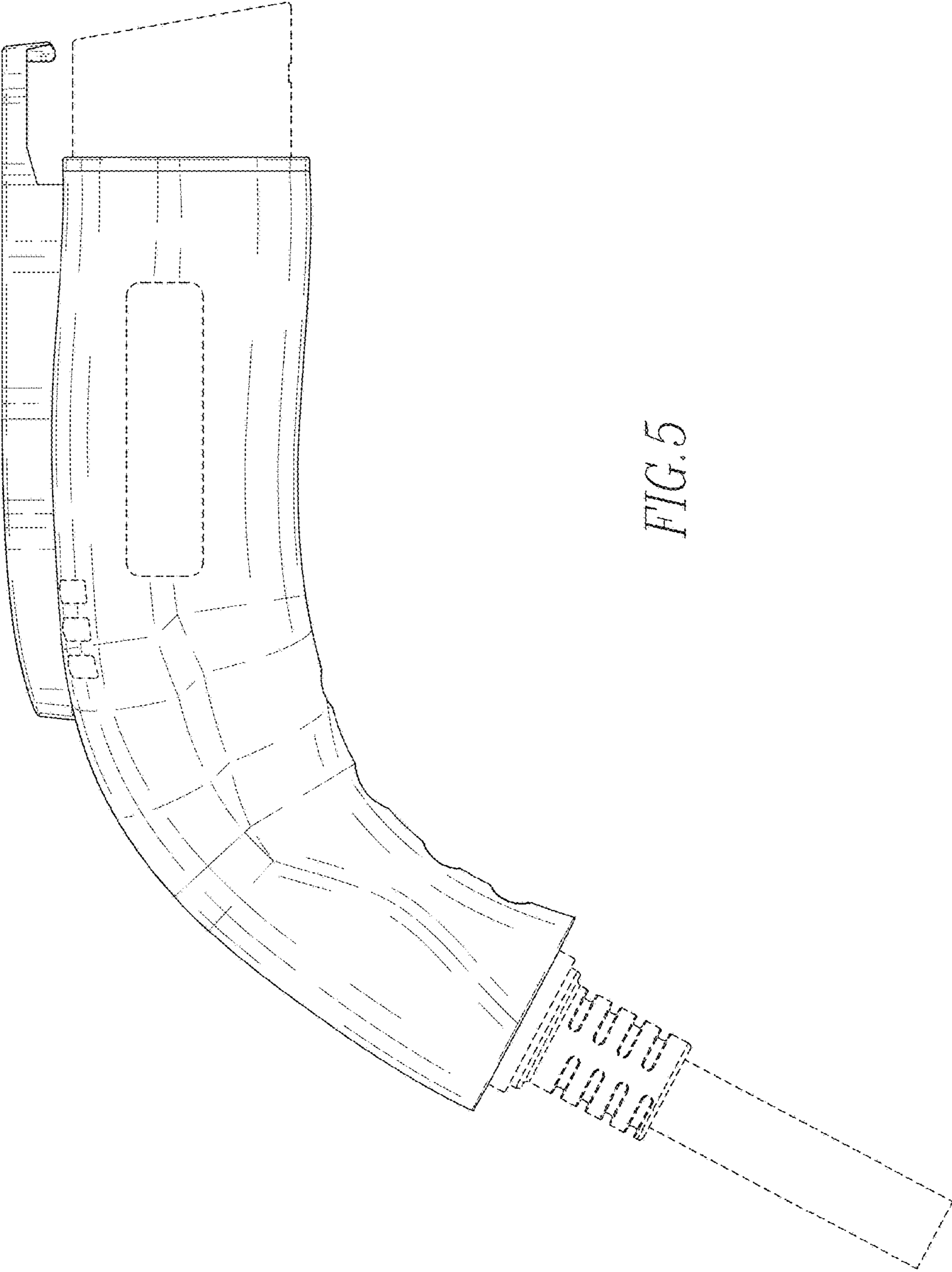


FIG. 5

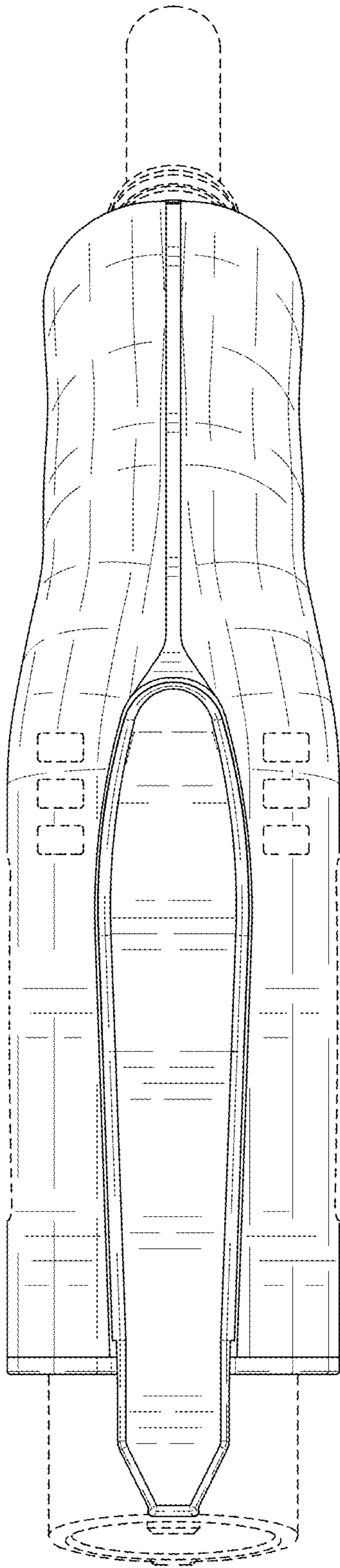


FIG. 6

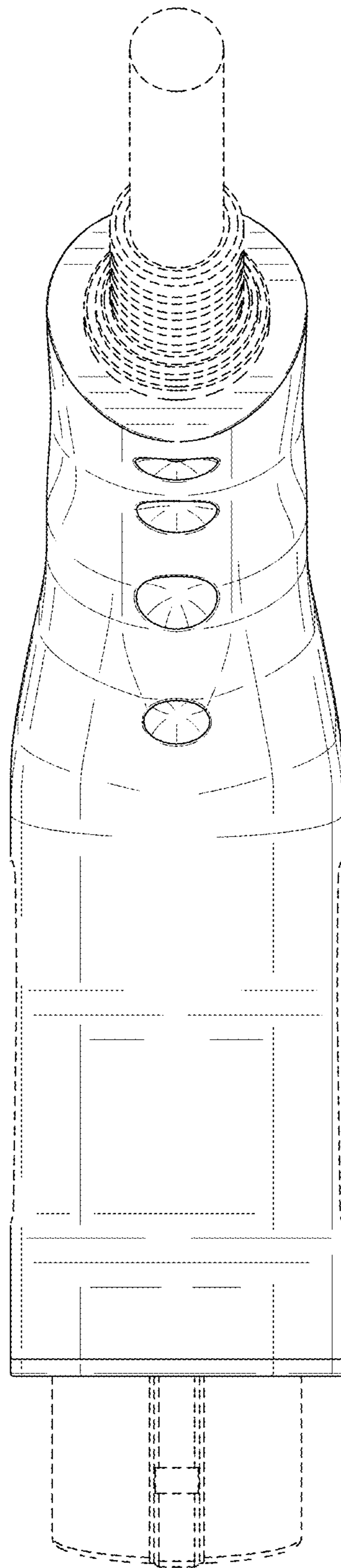


FIG. 7