



US00D806037S

(12) **United States Design Patent**
Tanaka

(10) **Patent No.:** **US D806,037 S**

(45) **Date of Patent:** **** Dec. 26, 2017**

(54) **ELECTRICAL CONNECTOR**

(71) Applicant: **JAPAN AVIATION ELECTRONICS
INDUSTRY, LIMITED**, Tokyo (JP)

(72) Inventor: **Yukitaka Tanaka**, Tokyo (JP)

(73) Assignee: **Japan Aviation Electronics Industry,
Limited**, Tokyo (JP)

(**) Term: **15 Years**

(21) Appl. No.: **29/572,227**

(22) Filed: **Jul. 26, 2016**

(30) **Foreign Application Priority Data**

Feb. 19, 2016 (JP) 2016-003583

(51) **LOC (10) Cl.** **13-03**

(52) **U.S. Cl.**
USPC **D13/147**

(58) **Field of Classification Search**

USPC D13/133, 146, 147, 154, 156, 184, 199;
D14/432, 433, 434, 435.1, 438
CPC H01R 13/6582; H01R 13/659; H01R
13/6658; H01R 13/7175; H01R 24/64;
H01R 24/76; H04B 1/3816; H04B 1/40;
H04M 2250/02; H04M 2250/14; H04W
4/005; G06K 7/0056

See application file for complete search history.

(56) **References Cited**

U.S. PATENT DOCUMENTS

D312,243 S * 11/1990 Yamamoto D13/147
D322,959 S * 1/1992 Sasaki D13/147

D331,911 S * 12/1992 Sato D13/133
D335,864 S * 5/1993 Kensaku D13/133
D454,333 S * 3/2002 Ikeda D13/133
D651,176 S * 12/2011 Kobayashi D13/147
D701,491 S * 3/2014 Miyoshi D13/147
2015/0364855 A1* 12/2015 Ishii H01R 13/5202
439/587

FOREIGN PATENT DOCUMENTS

JP 1512189 S 11/2014
JP 1522474 S 4/2015
JP 1529450 S 7/2015

* cited by examiner

Primary Examiner — Daniel Bui

(74) *Attorney, Agent, or Firm* — Cermak Nakajima &
McGowan LLP; Tomoko Nakajima

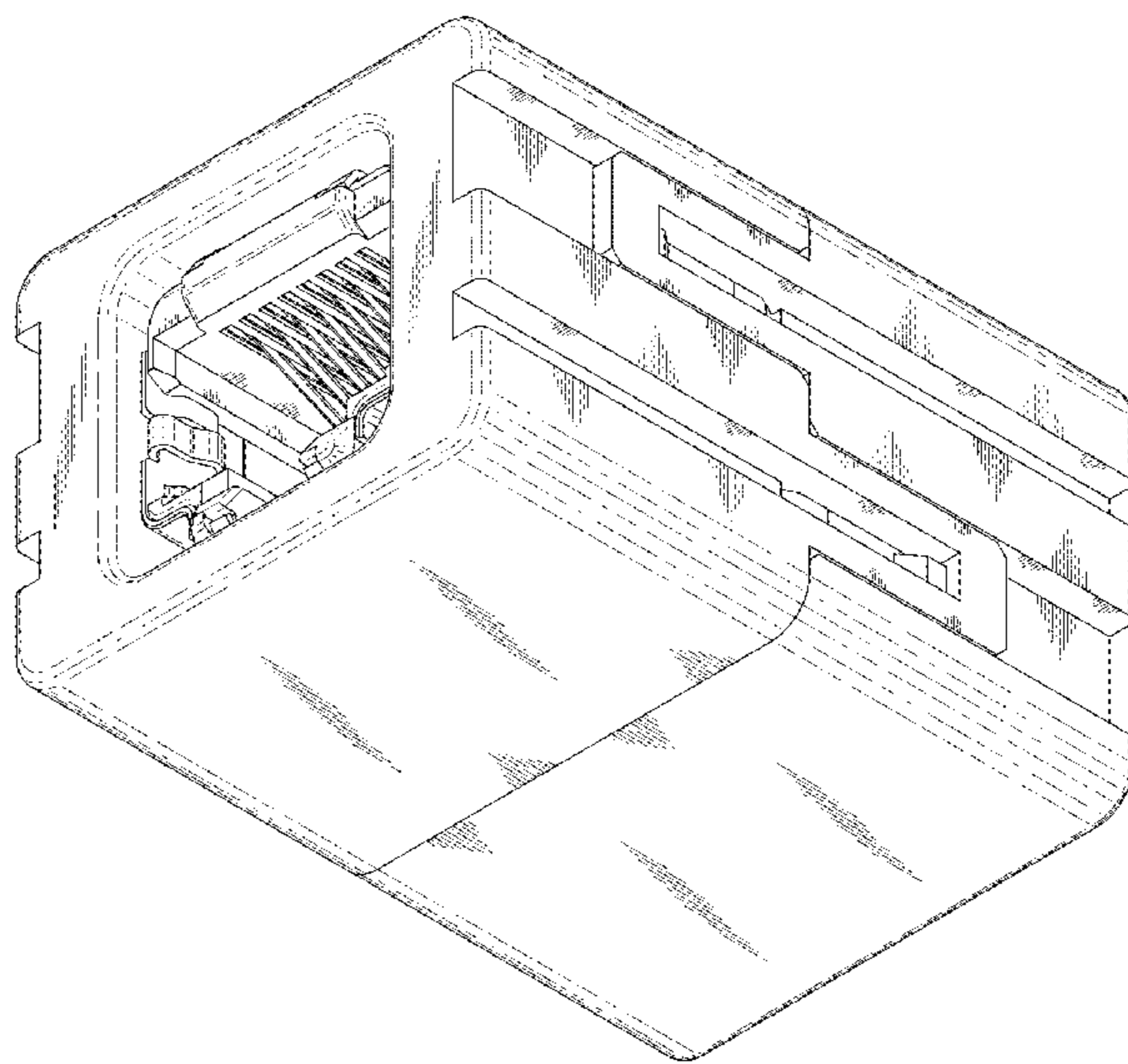
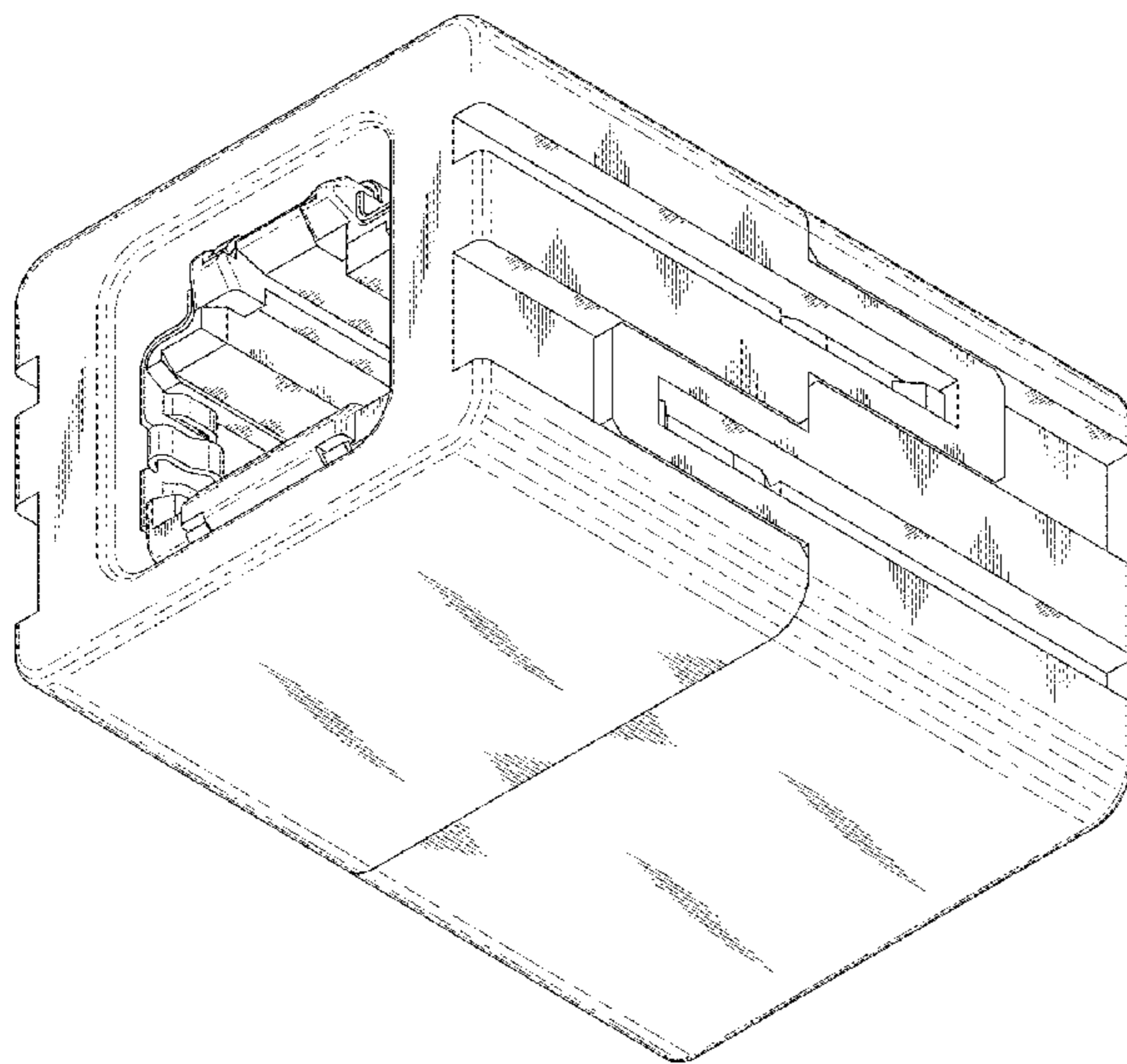
(57) **CLAIM**

The ornamental design for an electrical connector, as shown.

DESCRIPTION

FIG. 1 is a front elevational view of an electrical connector showing my new design;
FIG. 2 is a top plan view thereof;
FIG. 3 is a right side elevational view thereof;
FIG. 4 is a left side elevational view thereof;
FIG. 5 is a rear elevational view thereof; and
FIG. 6 is a bottom plan view thereof.
FIG. 7 is a front and top perspective view thereof;
FIG. 8 is a rear and top perspective view thereof;
FIG. 9 is a front and bottom perspective view thereof; and,
FIG. 10 is a rear and bottom perspective view thereof.

1 Claim, 10 Drawing Sheets



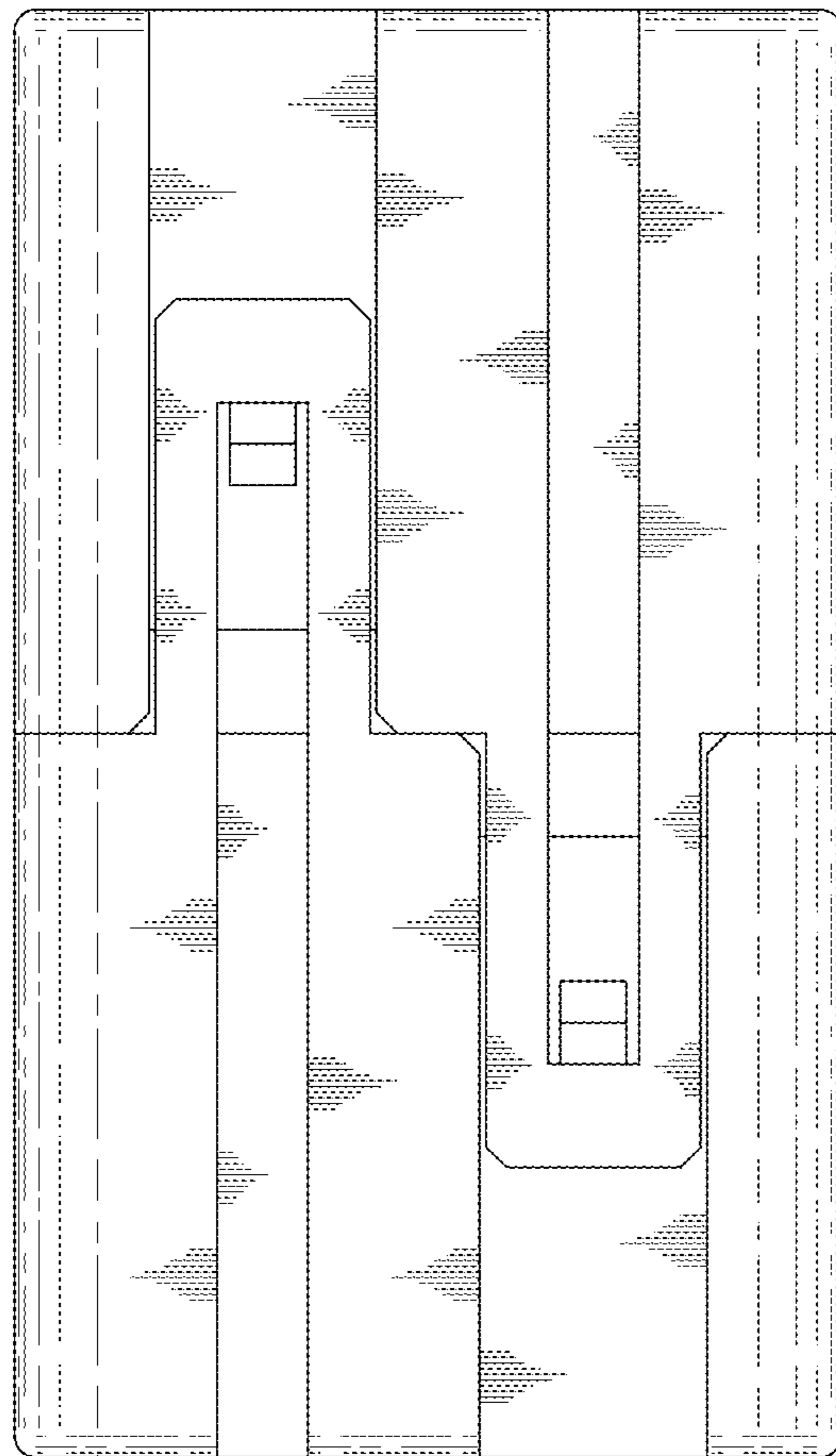


FIG.1

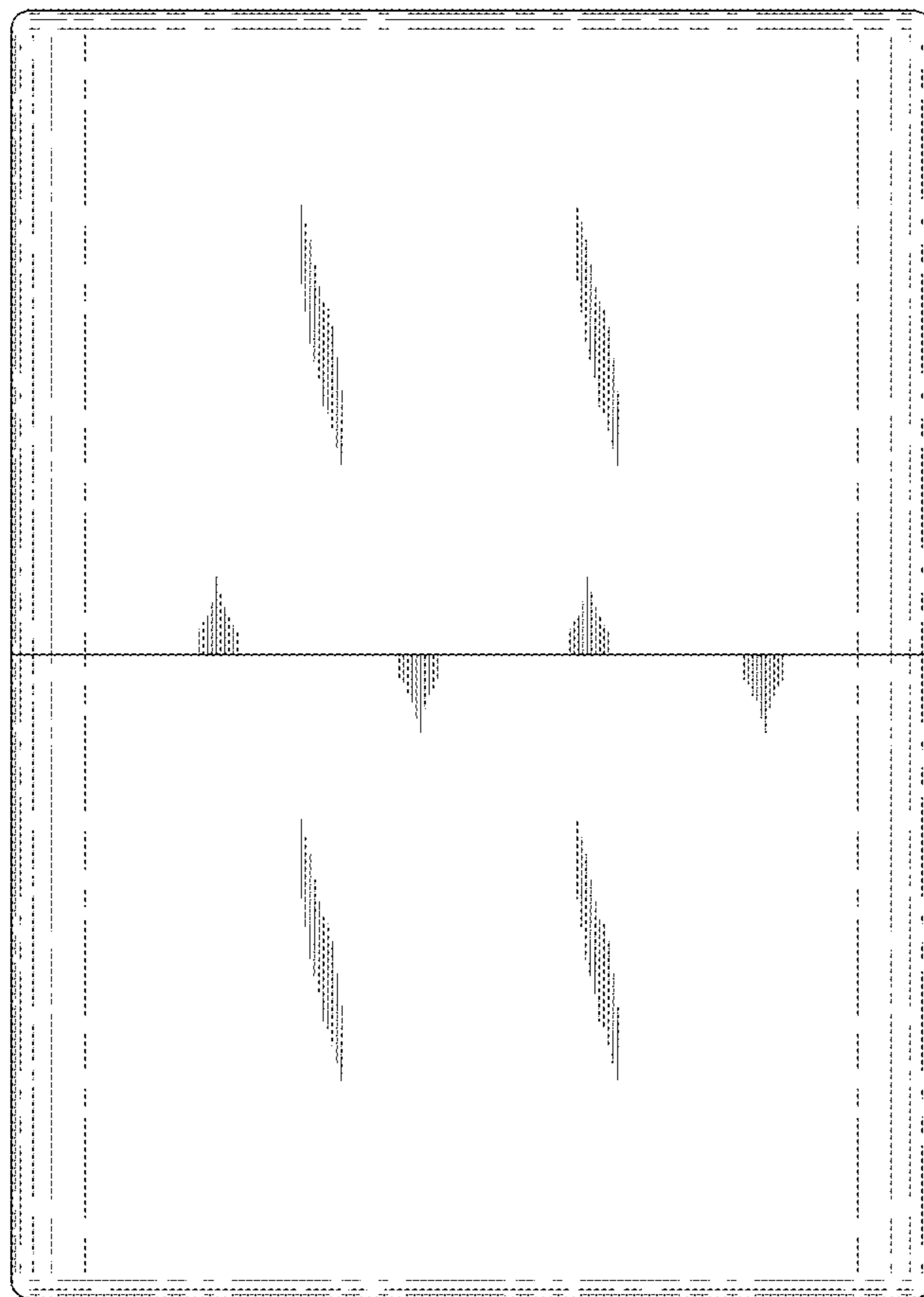


FIG.2

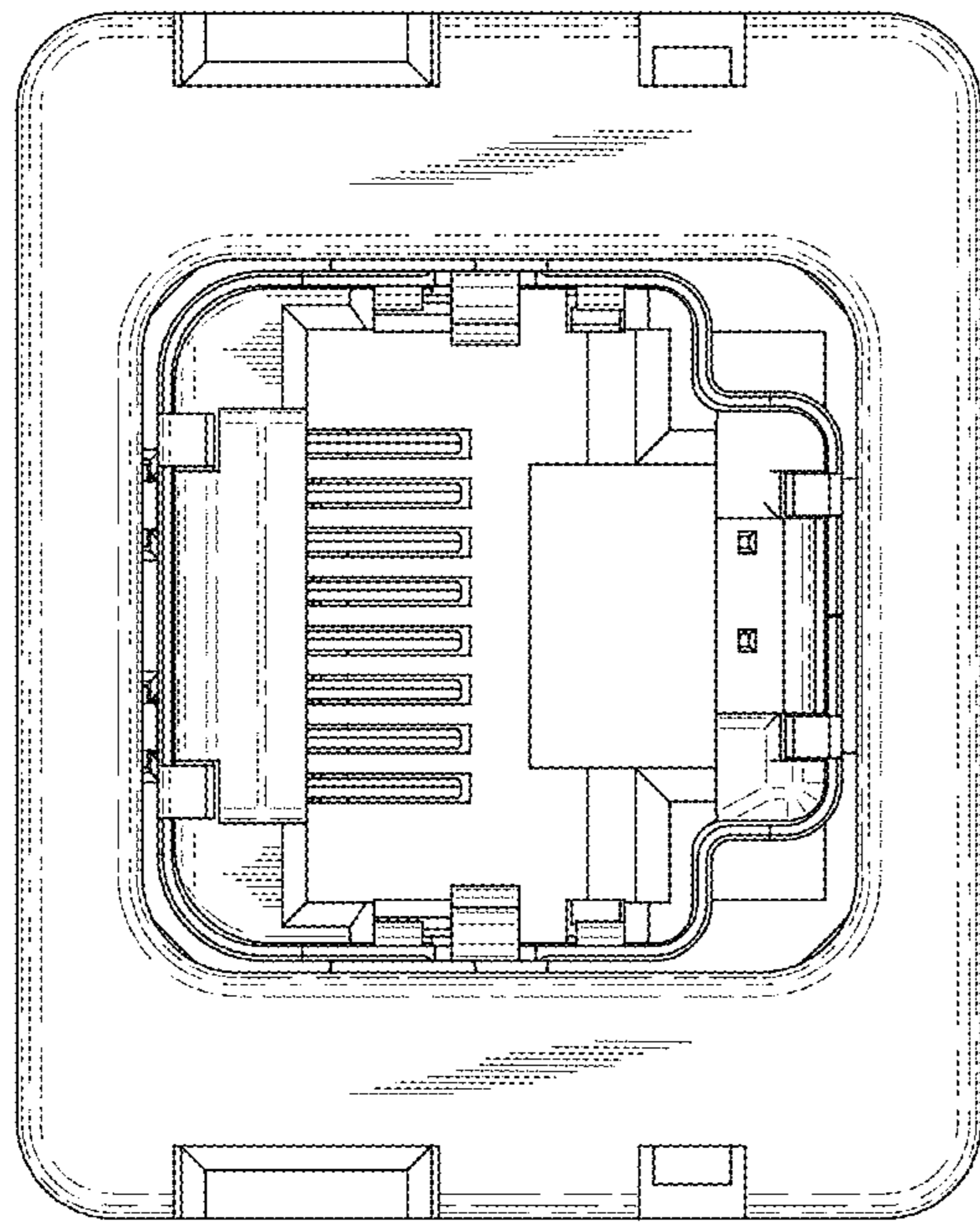


FIG.3

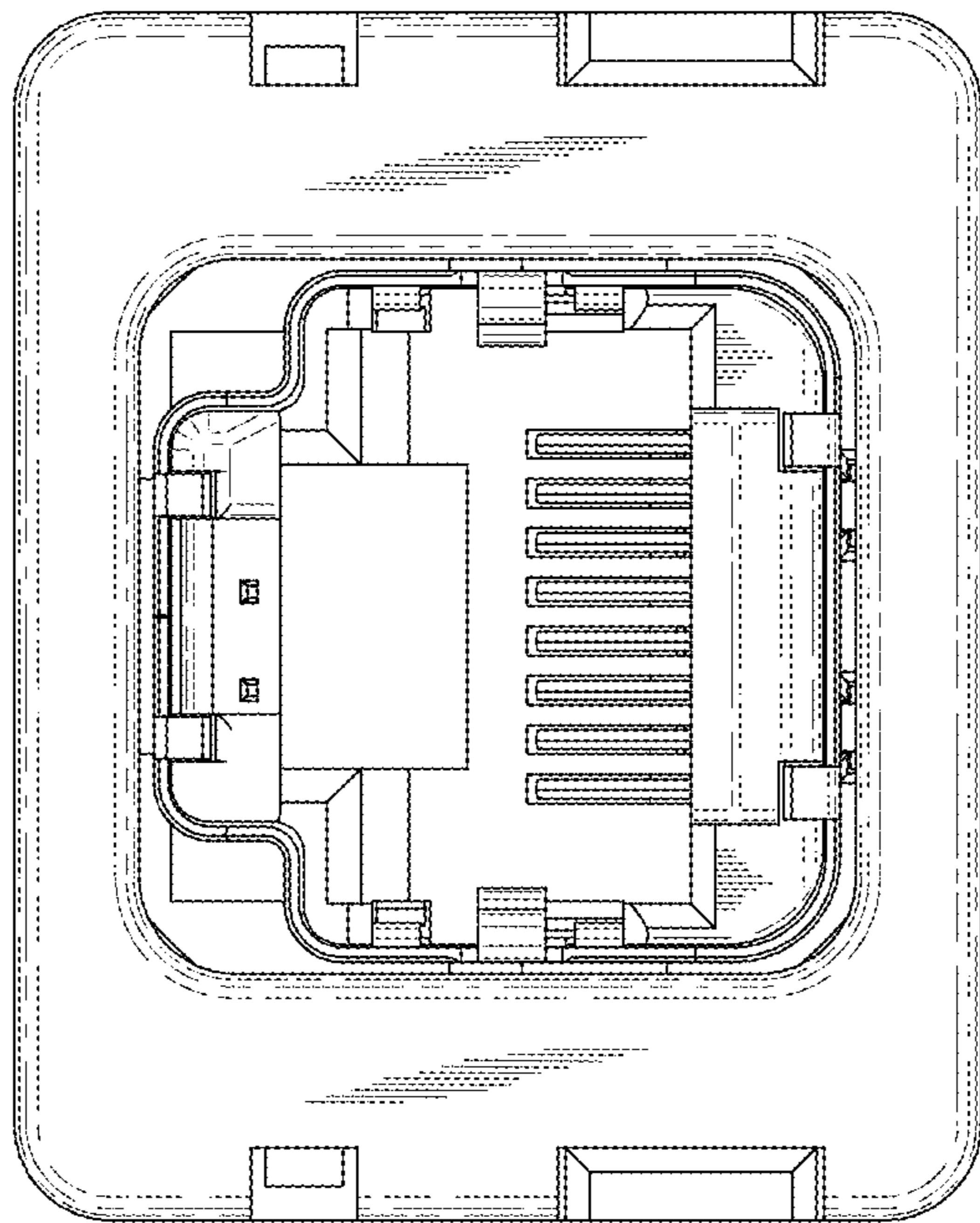


FIG.4

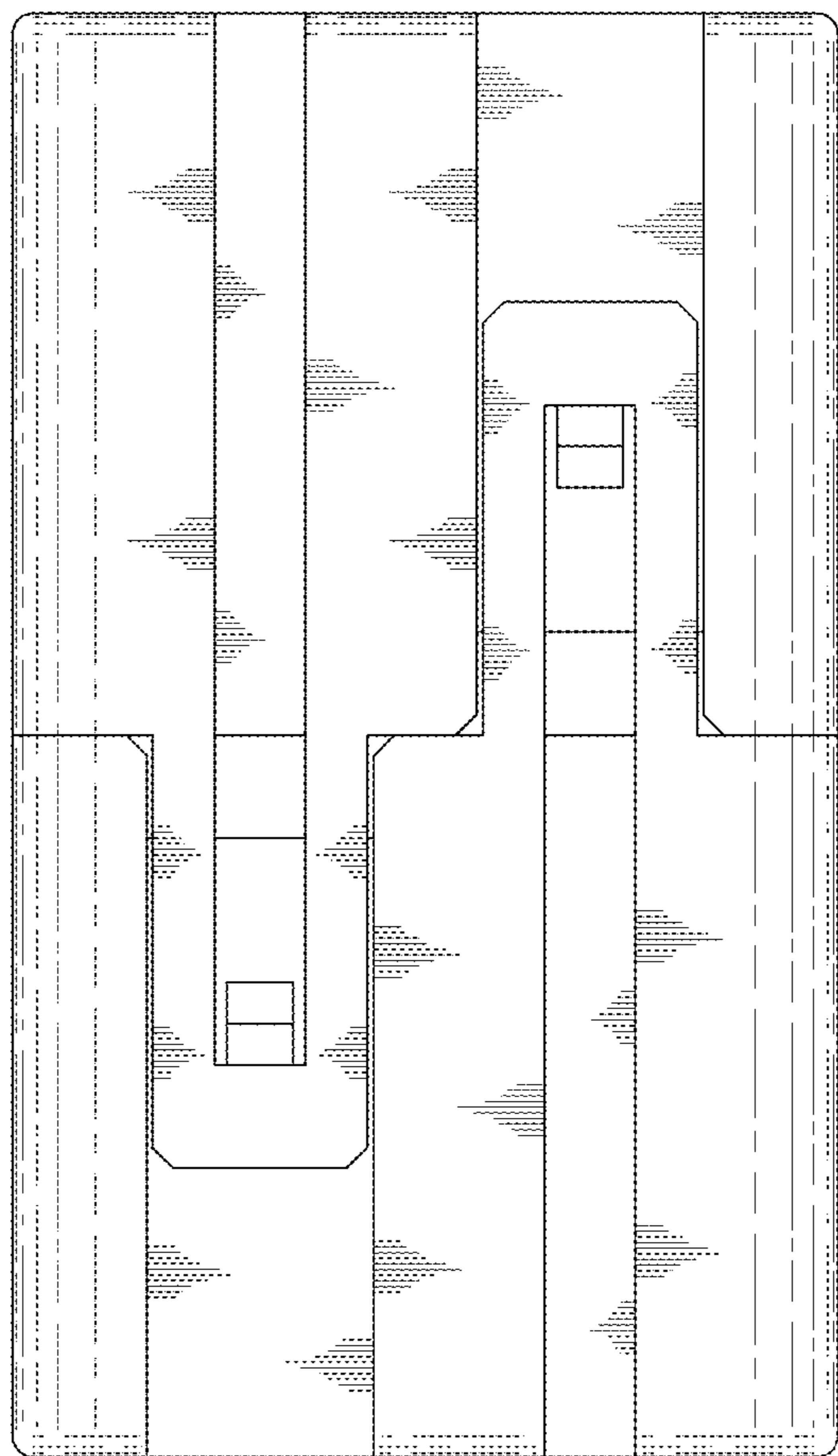


FIG.5

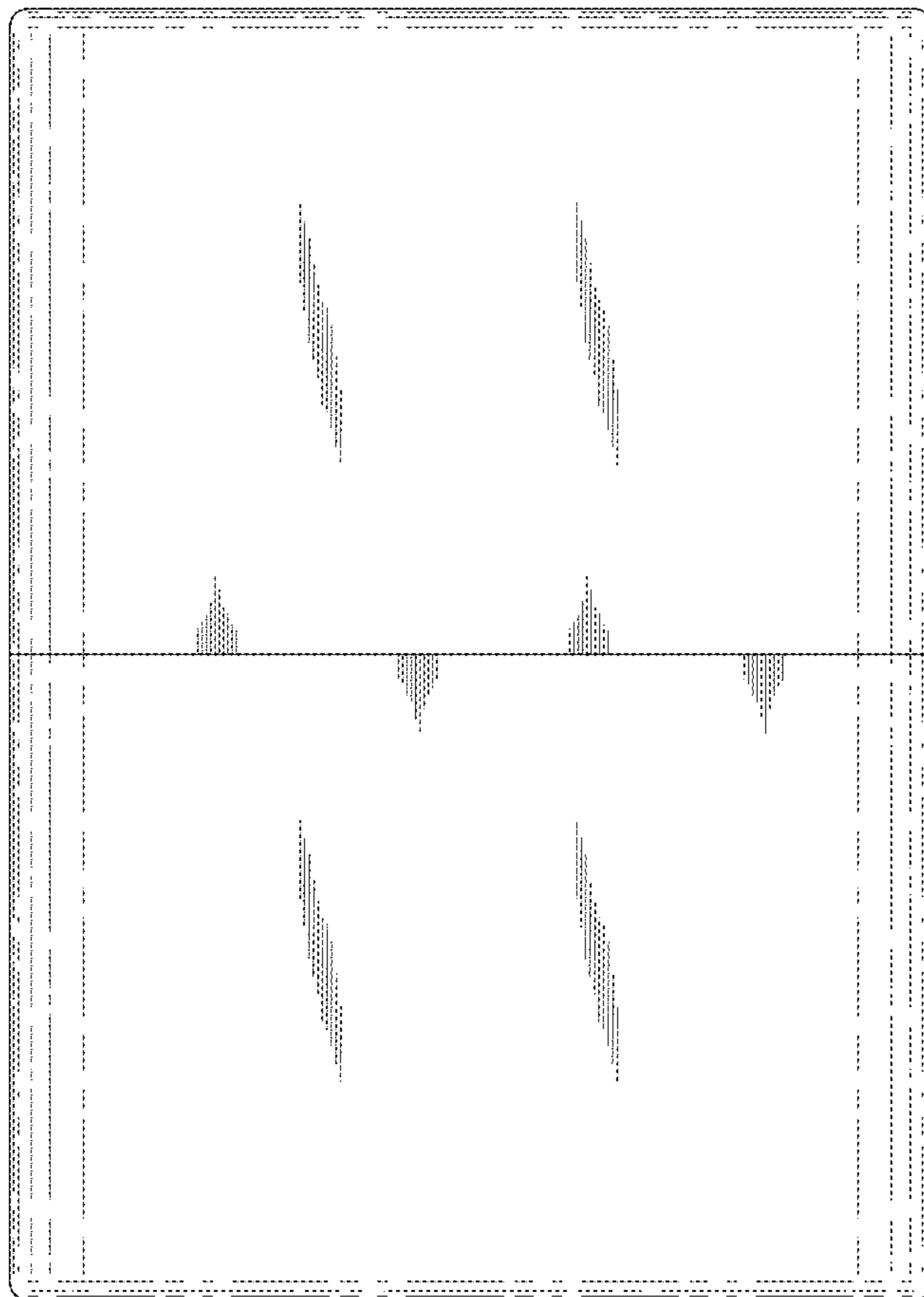


FIG.6

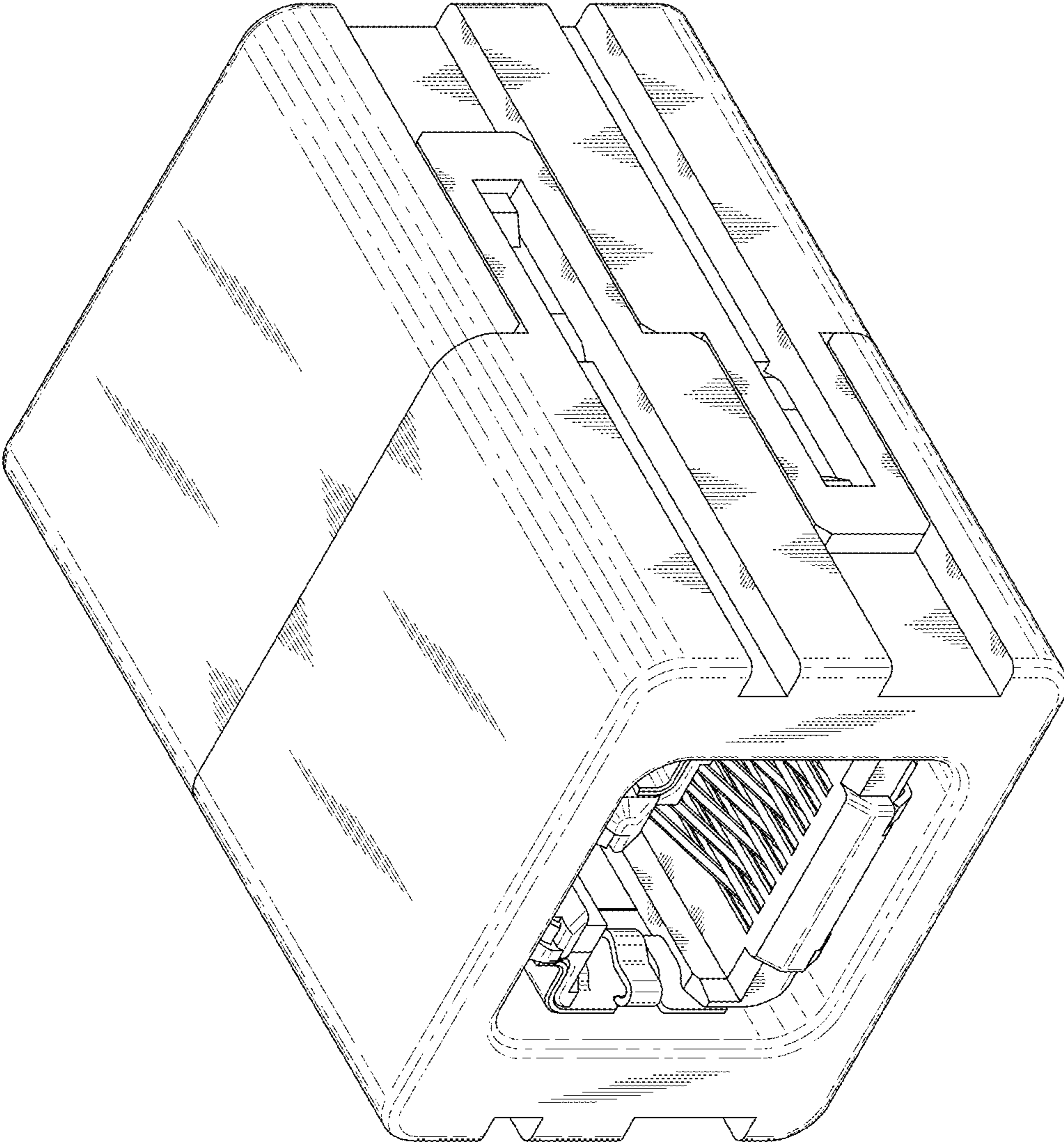


FIG.7

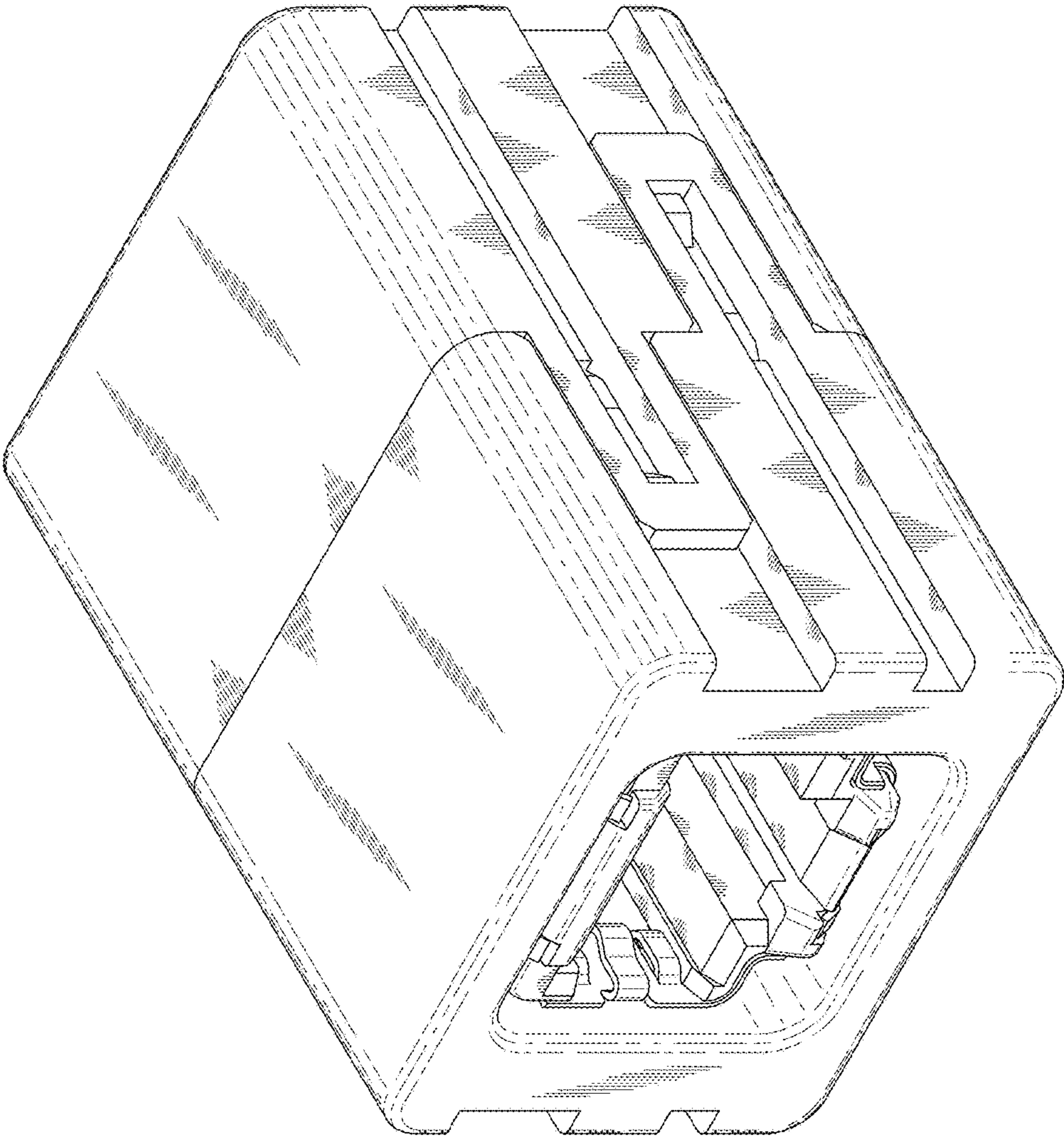


FIG.8

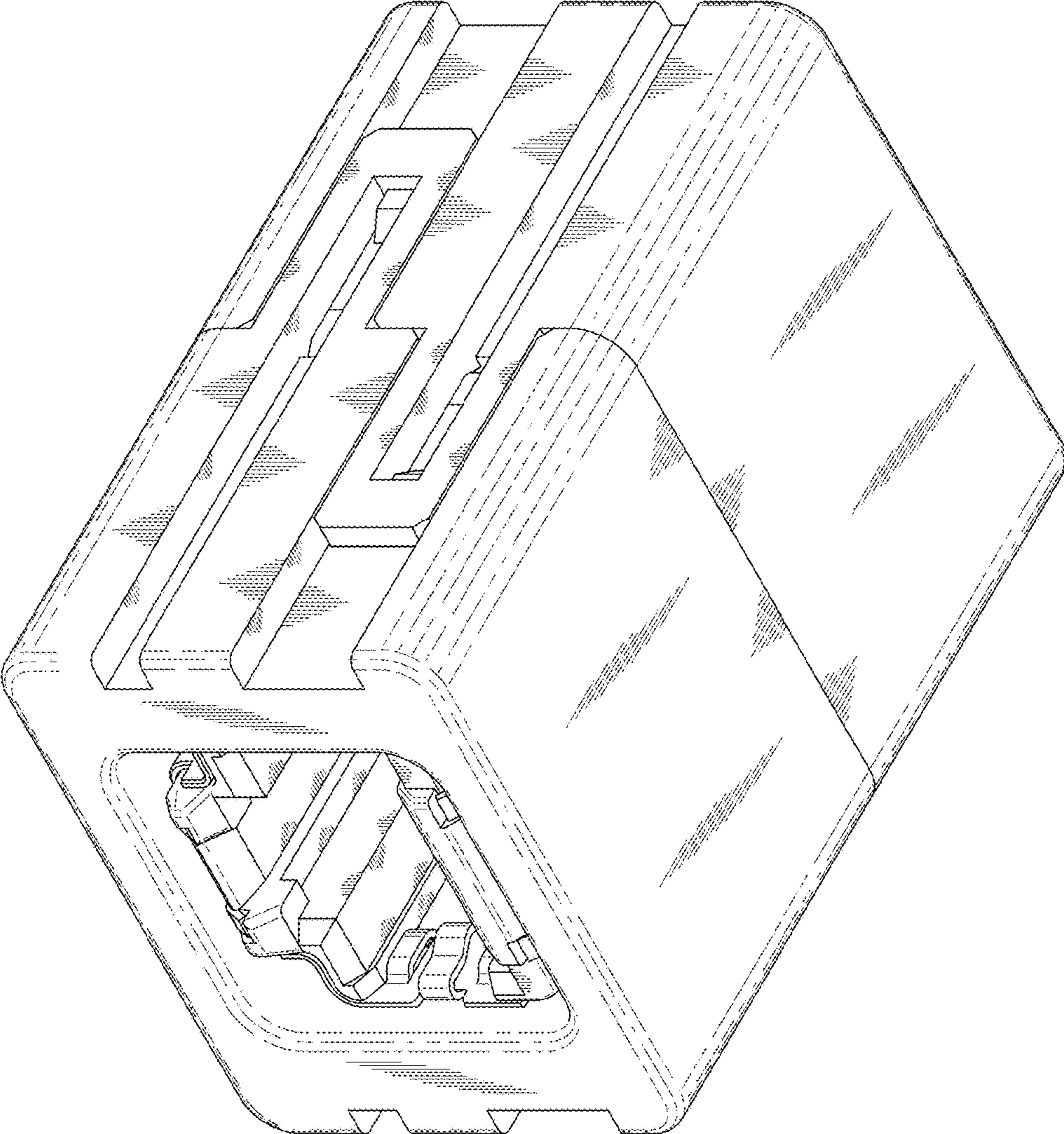


FIG.9

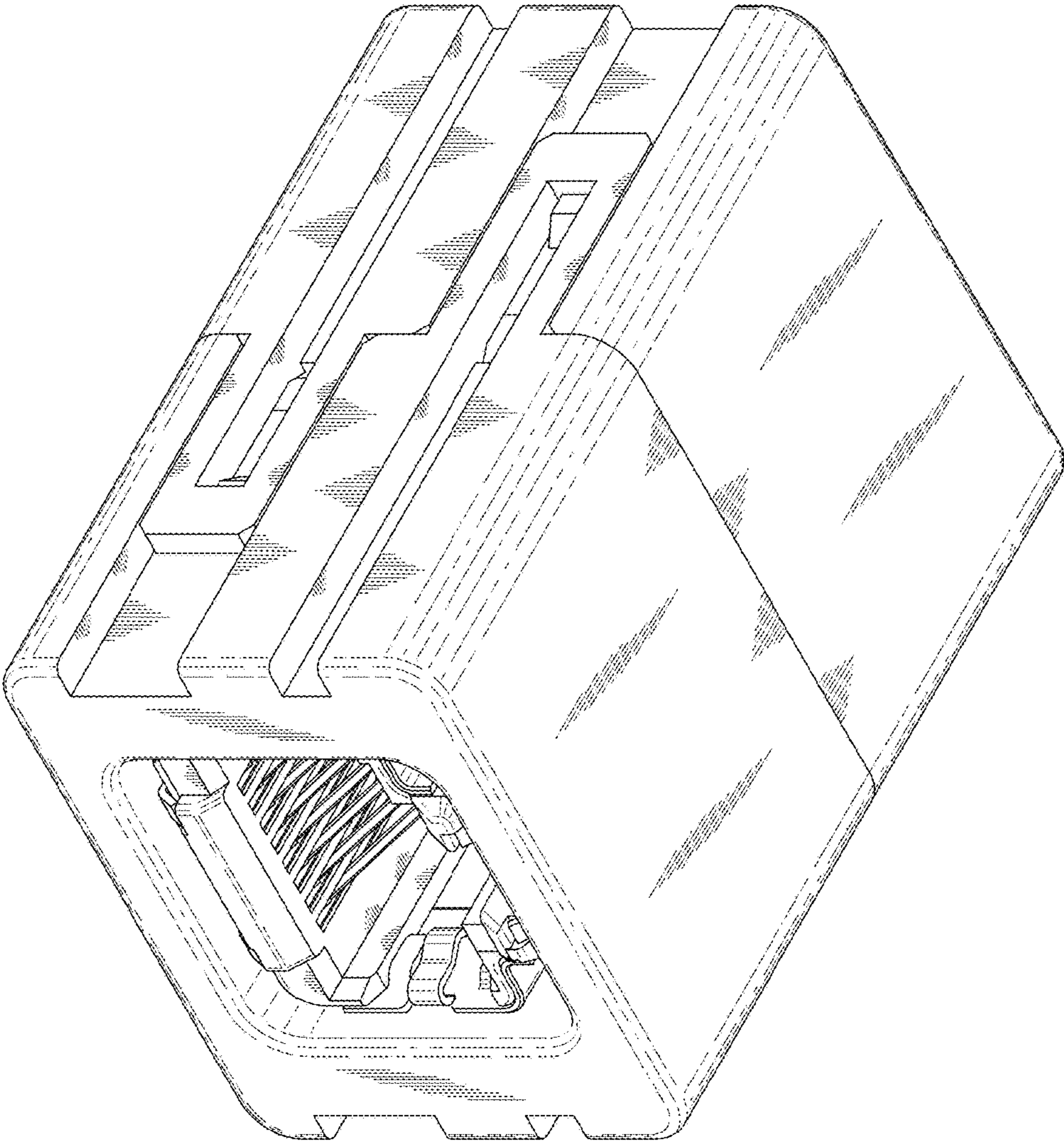


FIG.10