



US00D806033S

(12) **United States Design Patent** (10) **Patent No.:** **US D806,033 S**
Ramones et al. (45) **Date of Patent:** **** Dec. 26, 2017**

- (54) **ELECTRICAL PLUG**
- (71) Applicant: **NETGEAR, Inc.**, San Jose, CA (US)
- (72) Inventors: **John Kui Yin Ramones**, San Ramon, CA (US); **Charles Lyman Bates, III**, Oakland, CA (US); **Yulian Bagirov**, Oakland, PA (US); **Jared Hull Aller**, Oakland, CA (US)
- (73) Assignee: **Netgear, Inc.**, San Jose, CA (US)
- (**) Term: **15 Years**
- (21) Appl. No.: **29/535,384**
- (22) Filed: **Aug. 6, 2015**
- (51) **LOC (10) Cl.** **13-03**
- (52) **U.S. Cl.**
USPC **D13/133**
- (58) **Field of Classification Search**
USPC D13/107, 123, 133, 137.1–137.4, 138.1, D13/138.2, 145–147, 154, 156, 173, 184, D13/199
CPC H01R 9/20; H01R 13/46; H01R 13/50; H01R 13/502; H01R 13/58; H01R 13/60; H01R 43/26
See application file for complete search history.

(56) **References Cited**

U.S. PATENT DOCUMENTS

- 3,170,749 A * 2/1965 Johanson H01R 13/502
174/650
- 5,104,337 A * 4/1992 Chow H01R 13/58
439/470
- 5,244,397 A * 9/1993 Anhalt G06K 7/0047
361/730
- D367,259 S * 2/1996 Sachs D13/133
- D408,357 S * 4/1999 Kichise D13/146
- D438,858 S * 3/2001 del Castillo D14/188
- D472,523 S * 4/2003 Hansen D13/146
- D498,462 S * 11/2004 Andre D13/138.2

- D516,670 S * 3/2006 Aselton D23/214
- D544,443 S * 6/2007 Yang D13/133
- D567,184 S * 4/2008 Victor D13/156
- D576,552 S * 9/2008 Caine D13/137.2
- D644,185 S * 8/2011 Hargreaves D13/152
- D693,305 S * 11/2013 Kuo D13/137.2
- D700,144 S * 2/2014 Benedict D13/133
- D720,310 S * 12/2014 Sharma D13/182

(Continued)

OTHER PUBLICATIONS

Australian Power Socket Triabgle Double Adapter, dated Feb. 8, 2016, [online], [site visited Jun. 5, 2017]. Available from Internet, <URL:http://www.cablechick.com.au/cables/australian-power-socket-triangle-double-adapter.html>.*

(Continued)

Primary Examiner — Thomas Johannes
Assistant Examiner — Shawn T Gingrich
(74) *Attorney, Agent, or Firm* — Boyle Fredrickson, S.C.

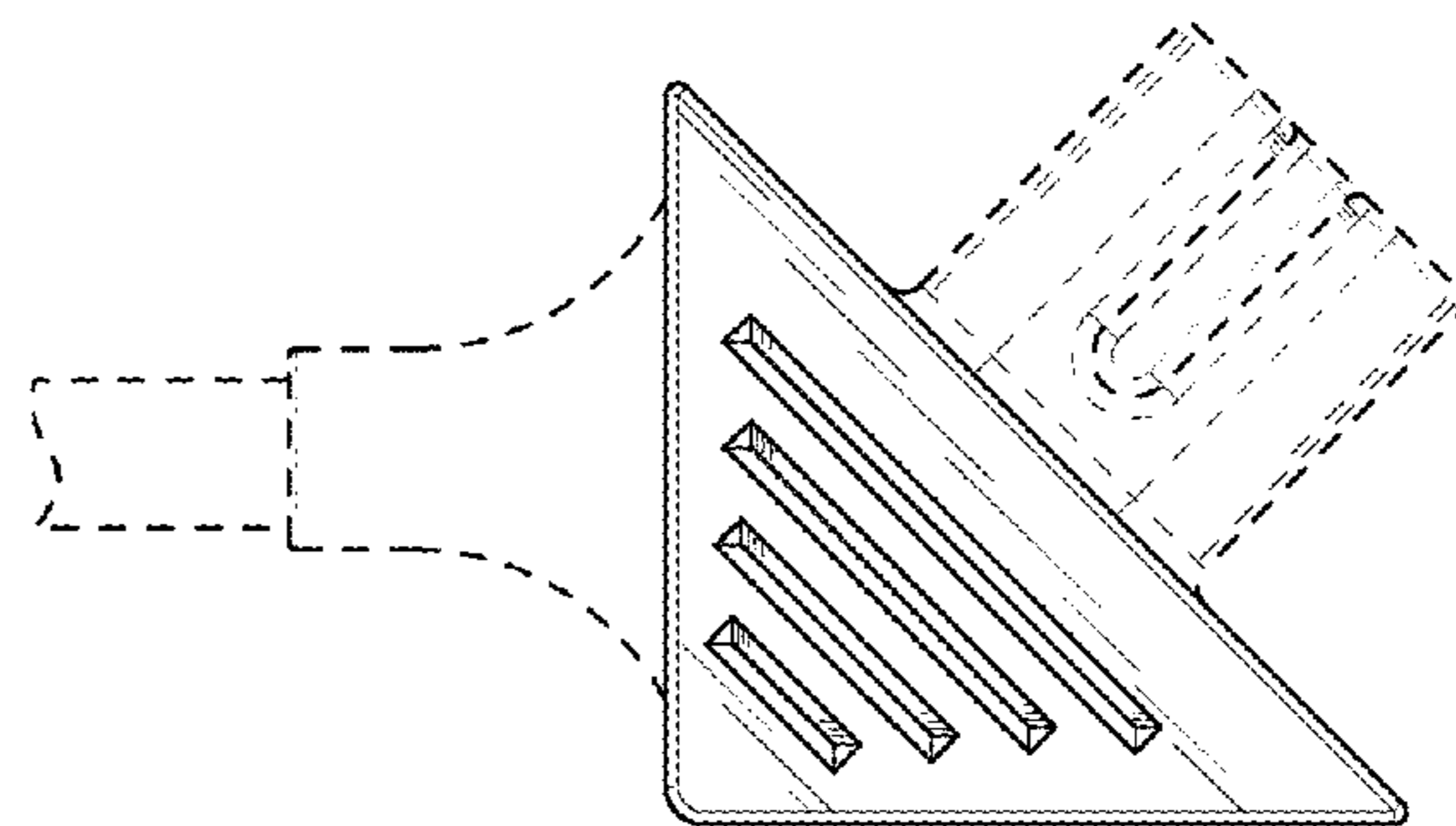
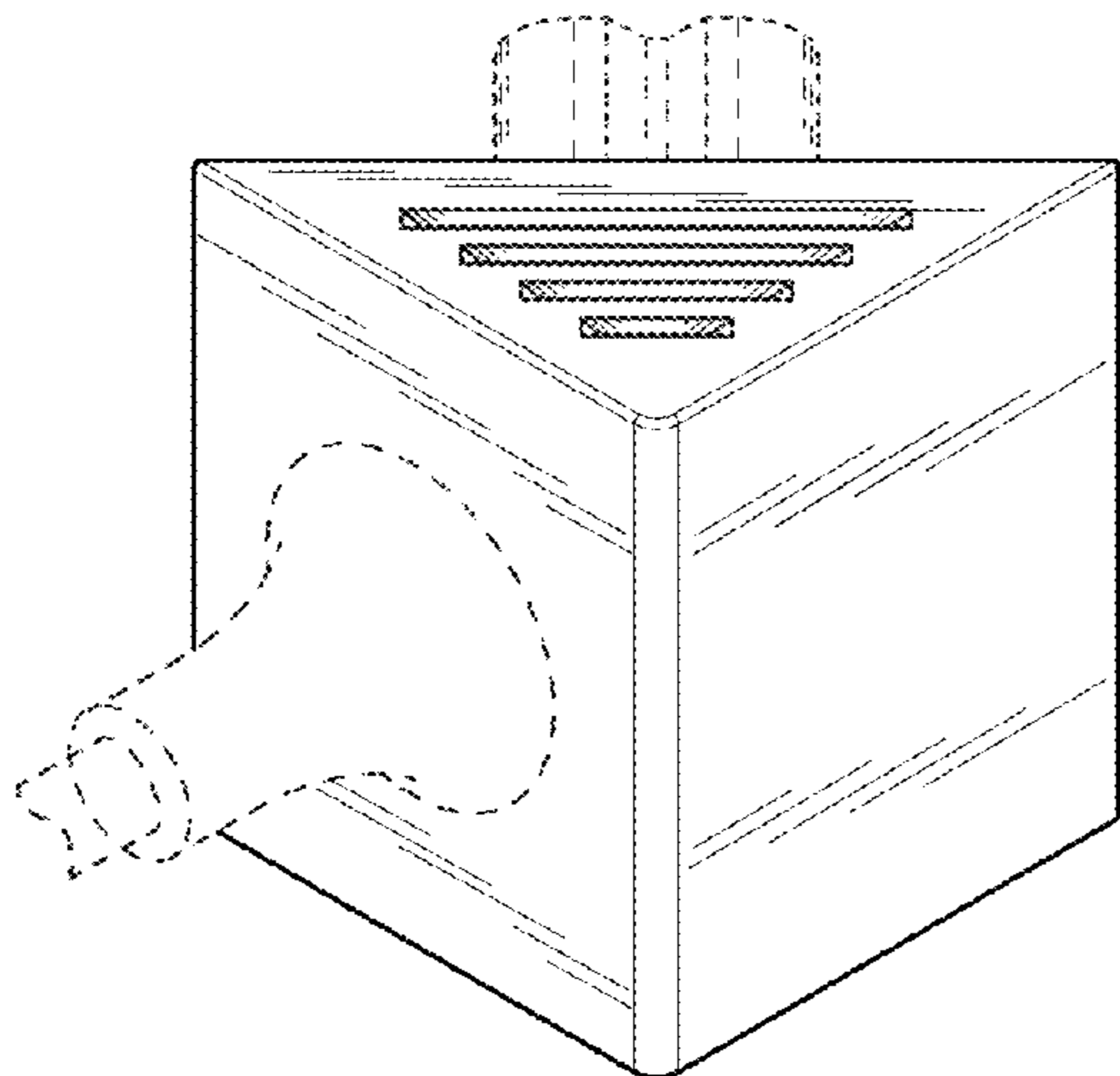
(57) **CLAIM**

The ornamental design for an electrical plug, as shown and described.

DESCRIPTION

FIG. 1 is a perspective view of an electrical plug incorporating our new design, viewed from behind and above the electrical plug;
FIG. 2 is a perspective view of the electrical plug, viewed from in front of and from the left side thereof;
FIG. 3 is a top plan view thereof, the bottom plan view being a mirror image of the top plan view;
FIG. 4 is a right-side view thereof;
FIG. 5 is a left-side view thereof; and,
FIG. 6 is a front view thereof.
The broken line portion of the figure drawings is included to show portions of the article that form no part of the claimed design.

1 Claim, 2 Drawing Sheets



(56)

References Cited

U.S. PATENT DOCUMENTS

D730,833 S * 6/2015 Lewis, Jr. D13/133
D763,806 S * 8/2016 Sharma D13/182
9,620,887 B2 * 4/2017 Ramones H01R 13/502
2014/0073200 A1 * 3/2014 Chou H01R 9/20
439/692
2015/0295341 A1 * 10/2015 Elmvang H01R 13/642
439/374
2017/0040734 A1 * 2/2017 Ramones H01R 13/502

OTHER PUBLICATIONS

30A to 15A, dated Apr. 18, 2003, [online], [site visited Jun. 5, 2017].
Available from Internet, <URL:<http://www.pplmotorshomes.com:80/parts/rv-power-cords/10231.html>>.*

* cited by examiner

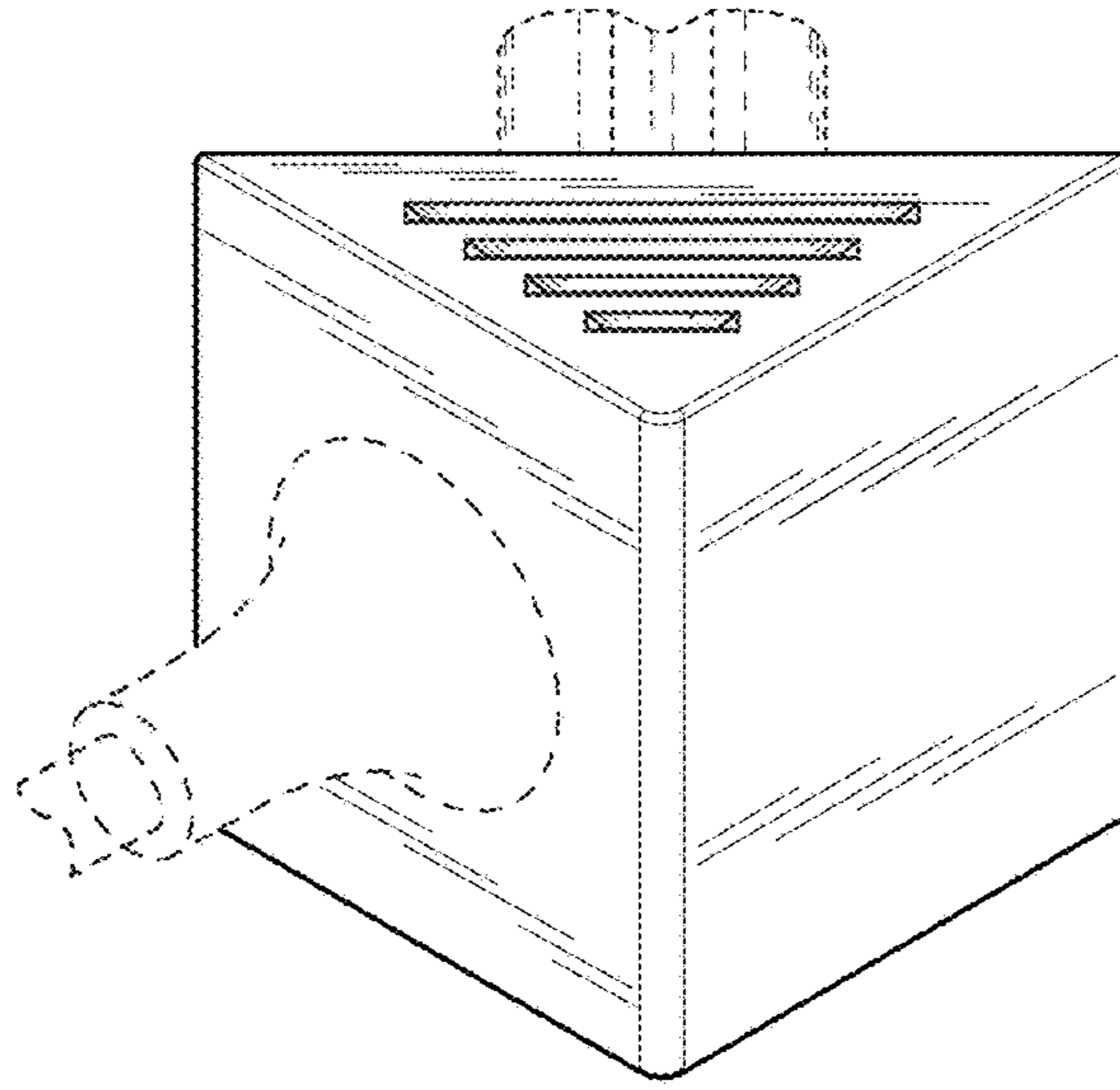


FIG. 1

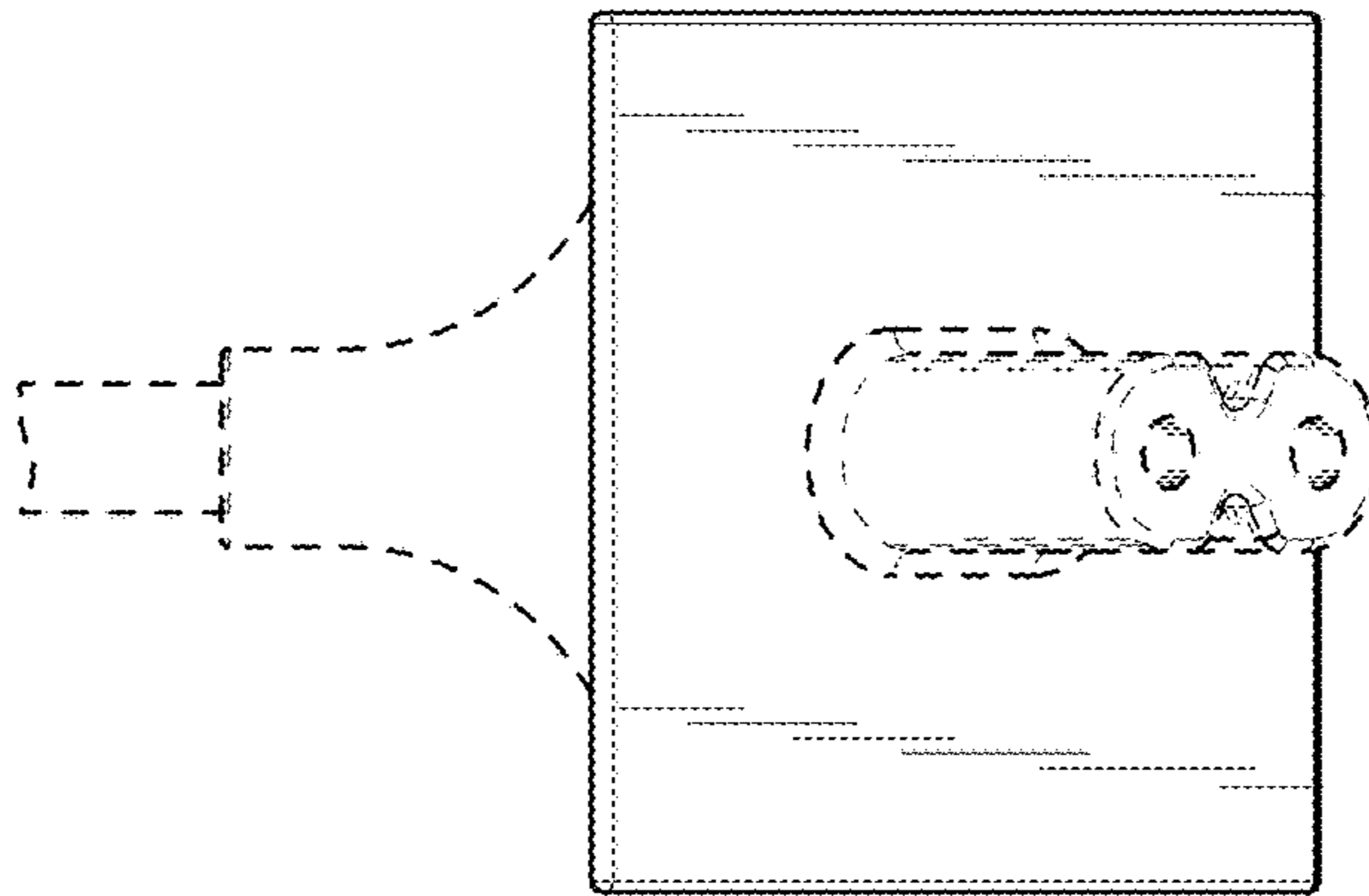


FIG. 2

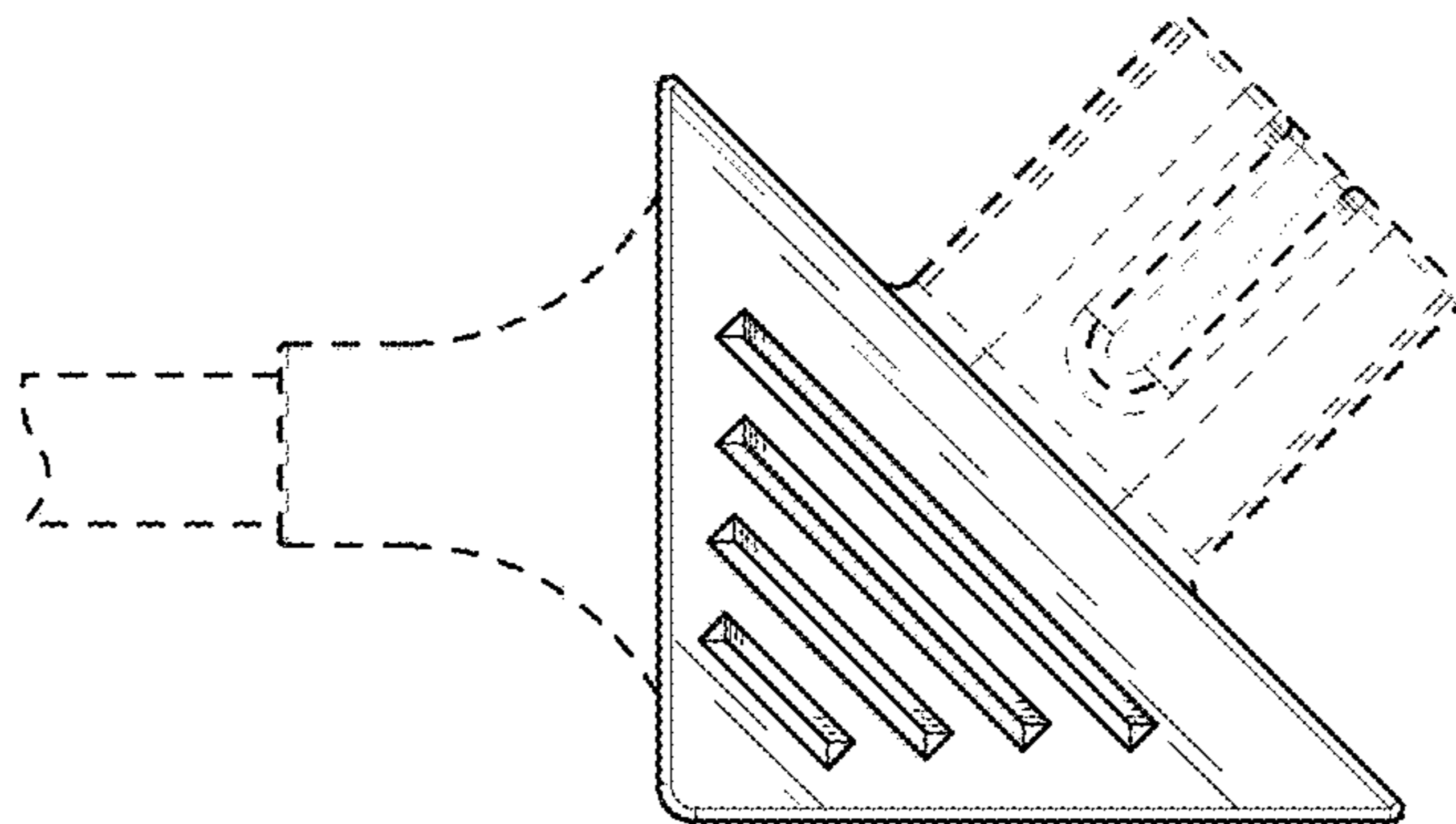


FIG. 3

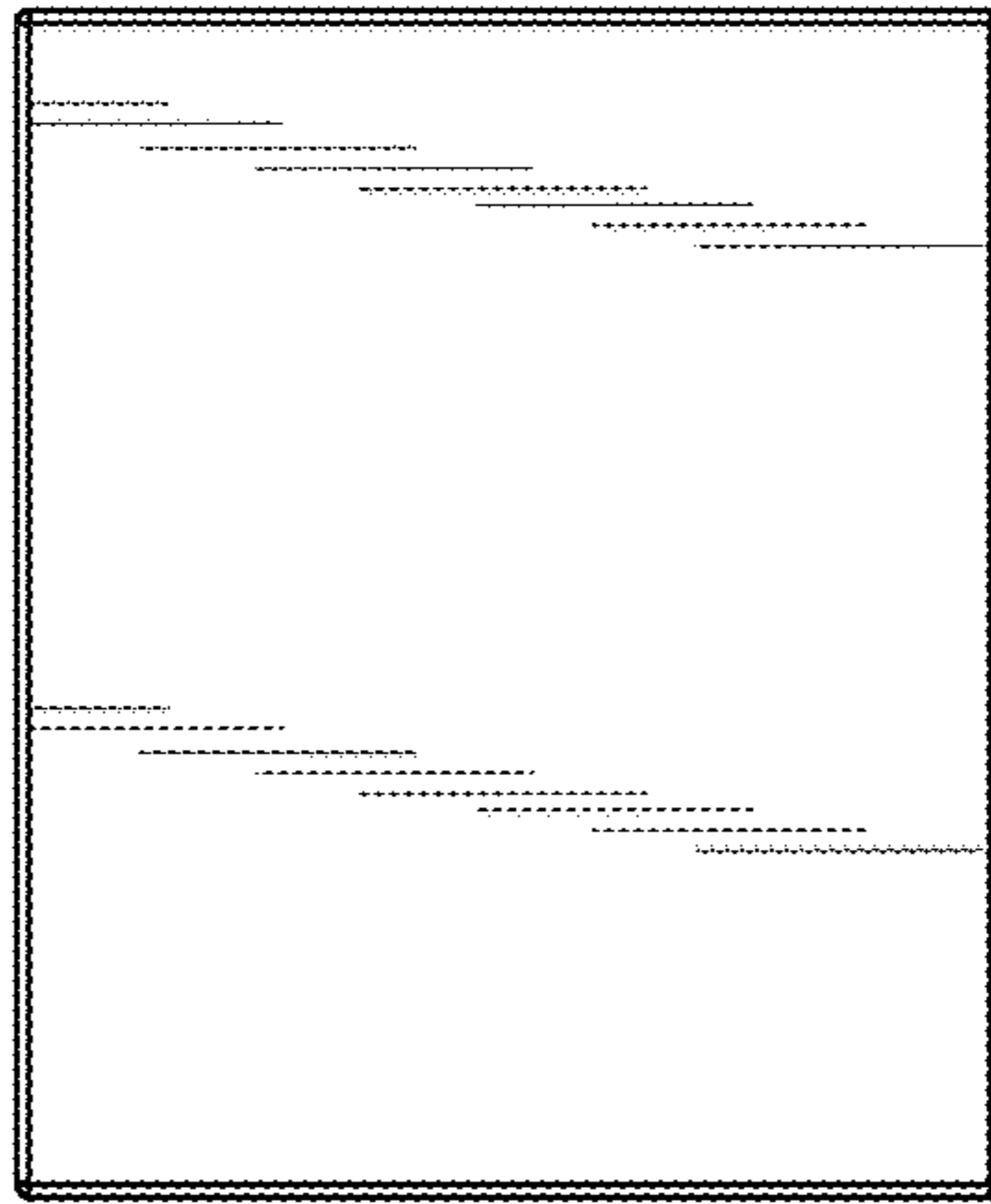


FIG. 4

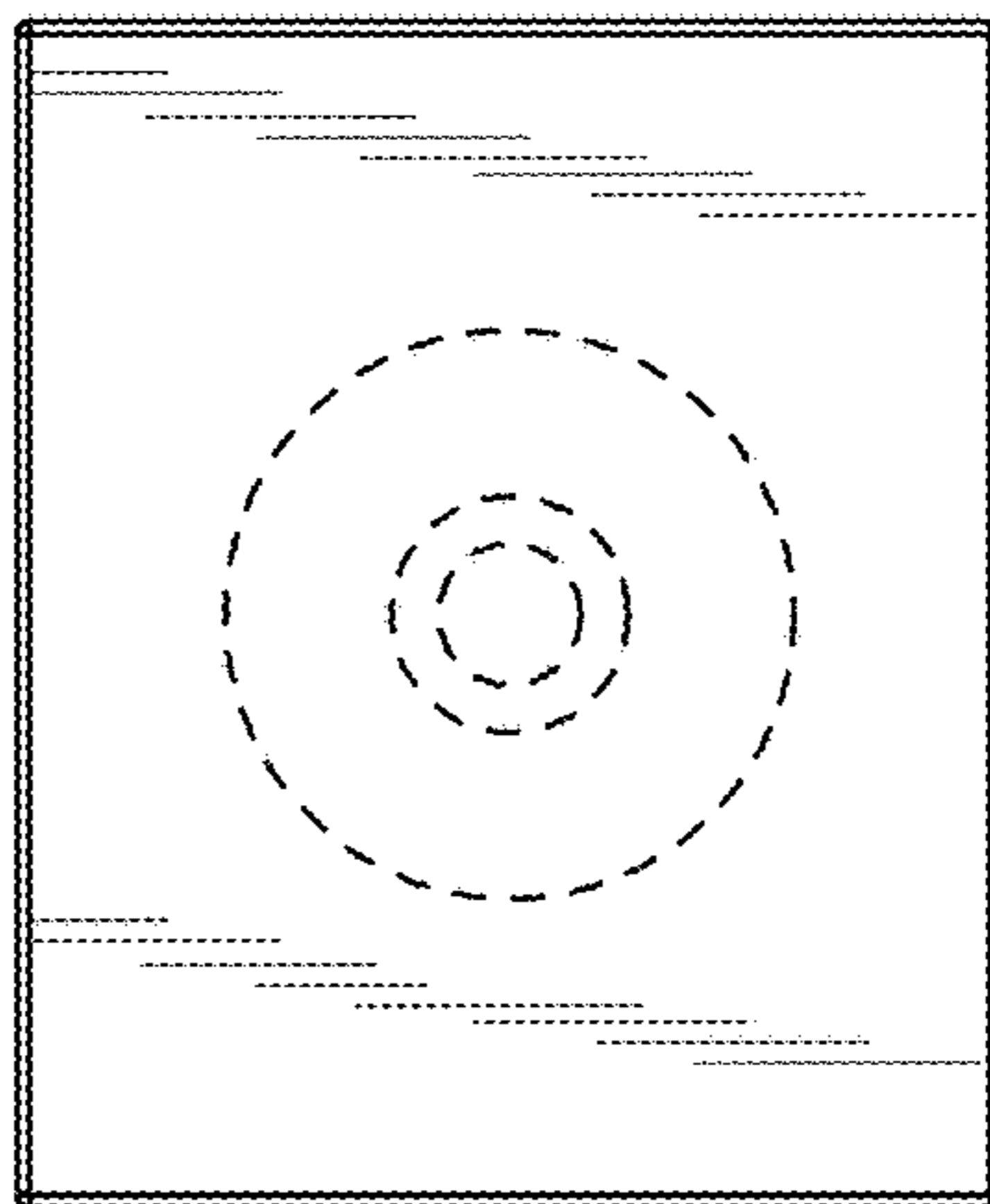


FIG. 5

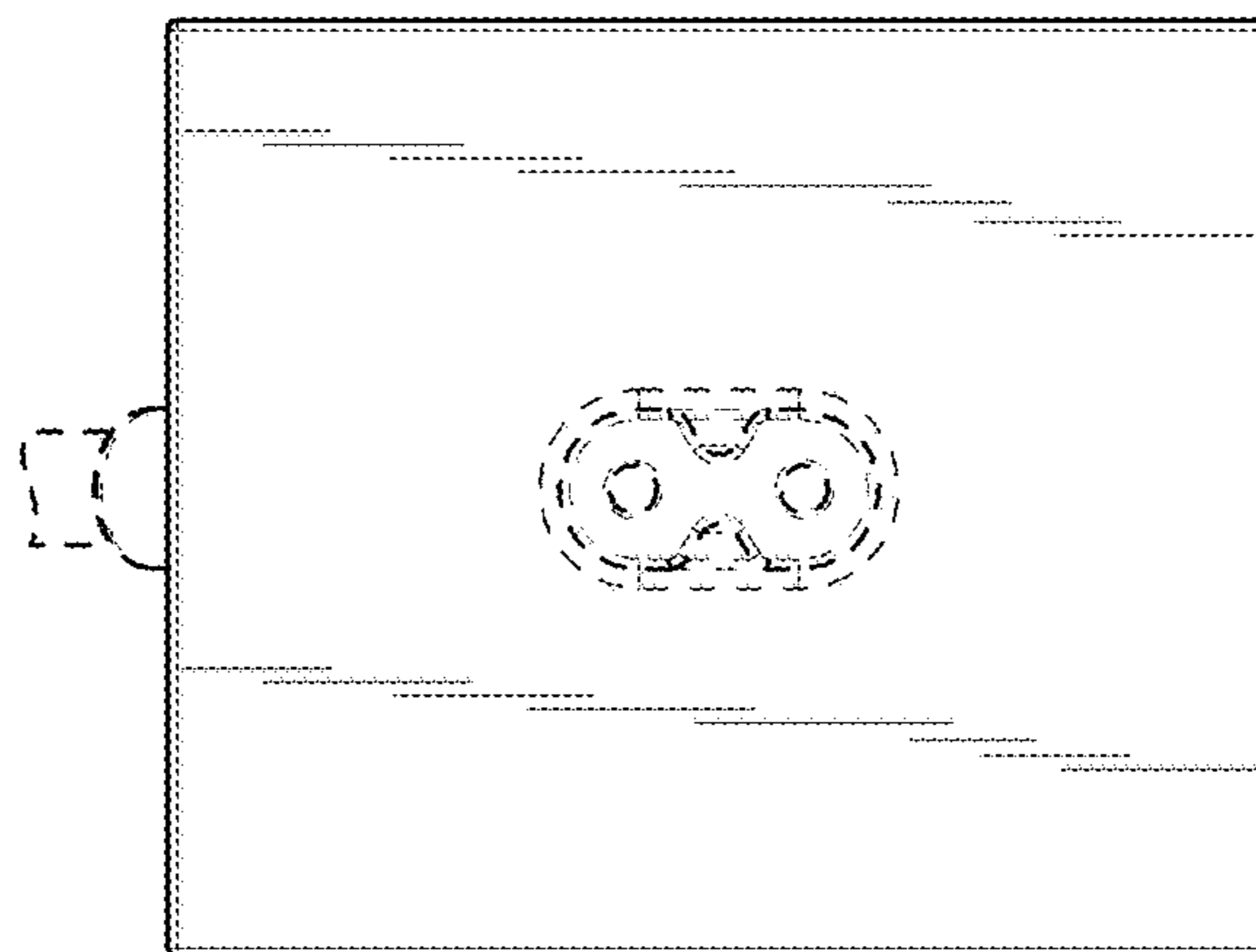


FIG. 6