

US00D806030S

(12) **United States Design Patent**
Pfefferkorn et al.

(10) **Patent No.:** **US D806,030 S**

(45) **Date of Patent:** **** Dec. 26, 2017**

(54) **HIGH VOLTAGE MOTOR**

(71) Applicant: **Siemens Aktiengesellschaft**, Munich
(DE)

(72) Inventors: **Helmut Pfefferkorn**, Bad Griesbach
(DE); **Christoph Rogginger**, Wittibreit
(DE); **Patric Willems**, Postbauer-Heng
(DE); **Guenther Winkler**, Haibach
(AT)

(73) Assignee: **Siemens Aktiengesellschaft**, Munich
(DE)

(**) Term: **15 Years**

(21) Appl. No.: **29/541,985**

(22) Filed: **Oct. 9, 2015**

(30) **Foreign Application Priority Data**

Apr. 10, 2015 (EM) 001433619

(51) **LOC (10) Cl.** **13-01**

(52) **U.S. Cl.**
USPC **D13/112**

(58) **Field of Classification Search**
USPC D13/101, 110–118, 12, 162, 184; D15/3,
D15/5, 199; 310/10, 40 MM, 40 R, 42,
310/51, 52, 58, 64, 71, 80, 83, 85, 88, 89,
310/91, 109, 236, 239, 254; 318/244–5;
322/16, 29; 29/596–598
CPC F02B 63/04; H02K 3/24; H02K 3/47
See application file for complete search history.

(56) **References Cited**

U.S. PATENT DOCUMENTS

D47,673 S * 8/1915 Yamaguchi D15/5

D186,594 S * 11/1959 Forsty D13/114
D191,982 S * 12/1961 Eisenhart D13/114
3,916,233 A * 10/1975 Vockler H02K 1/185
29/596
D294,483 S * 3/1988 Keane D13/114
4,807,354 A * 2/1989 Capuano H02K 5/1672
29/401.1
4,866,316 A * 9/1989 Humphries H02K 19/36
310/52
D668,221 S * 10/2012 McKune D13/110
D762,574 S * 8/2016 Grillenberger D13/112

* cited by examiner

Primary Examiner — Derrick Holland

Assistant Examiner — Jennifer O King

(74) *Attorney, Agent, or Firm* — Schiff Hardin LLP

(57) **CLAIM**

The ornamental design of a high voltage motor, as shown and described.

DESCRIPTION

FIG. 1 is a front elevational view of a high voltage motor; FIG. 2 is a rear elevational view thereof; FIG. 3 is a top view thereof; FIG. 4 is a bottom view thereof; FIG. 5 is a right side view thereof; FIG. 6 is a left side view thereof; and, FIG. 7 is a perspective view thereof. The broken lines shown in the drawings represent portions of the high voltage motor that form no part of the claimed design.

1 Claim, 7 Drawing Sheets

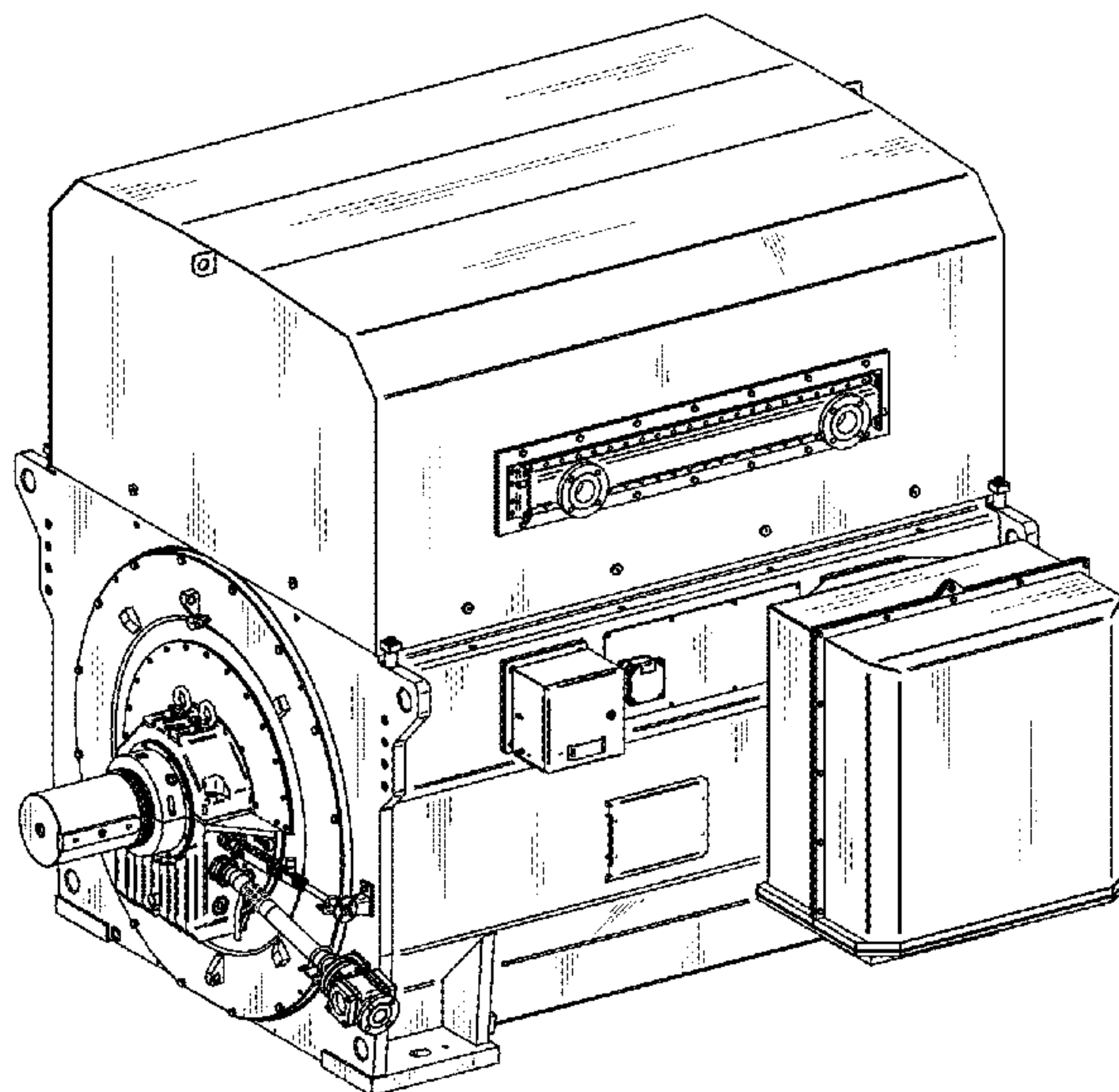


FIG 1

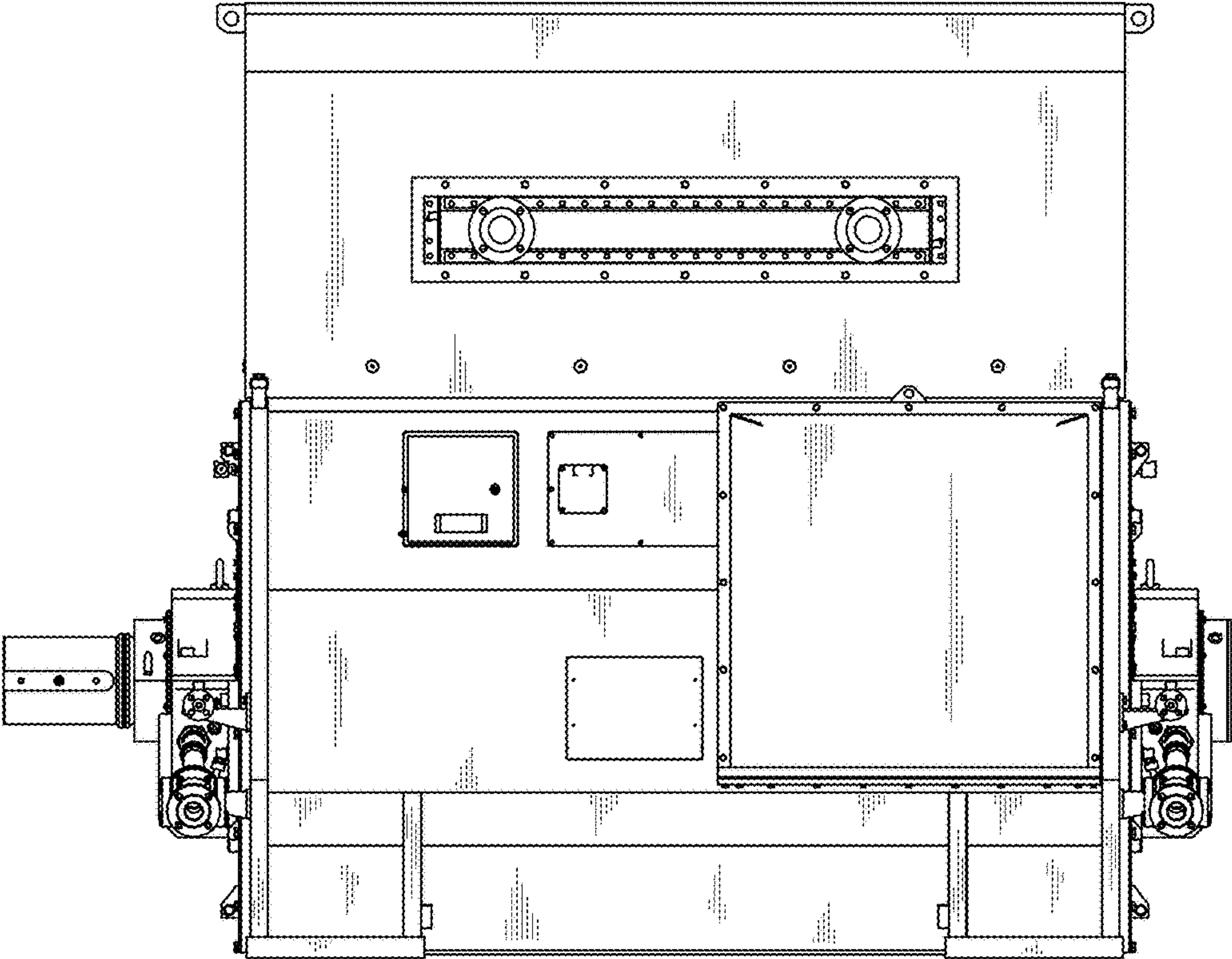


FIG 2

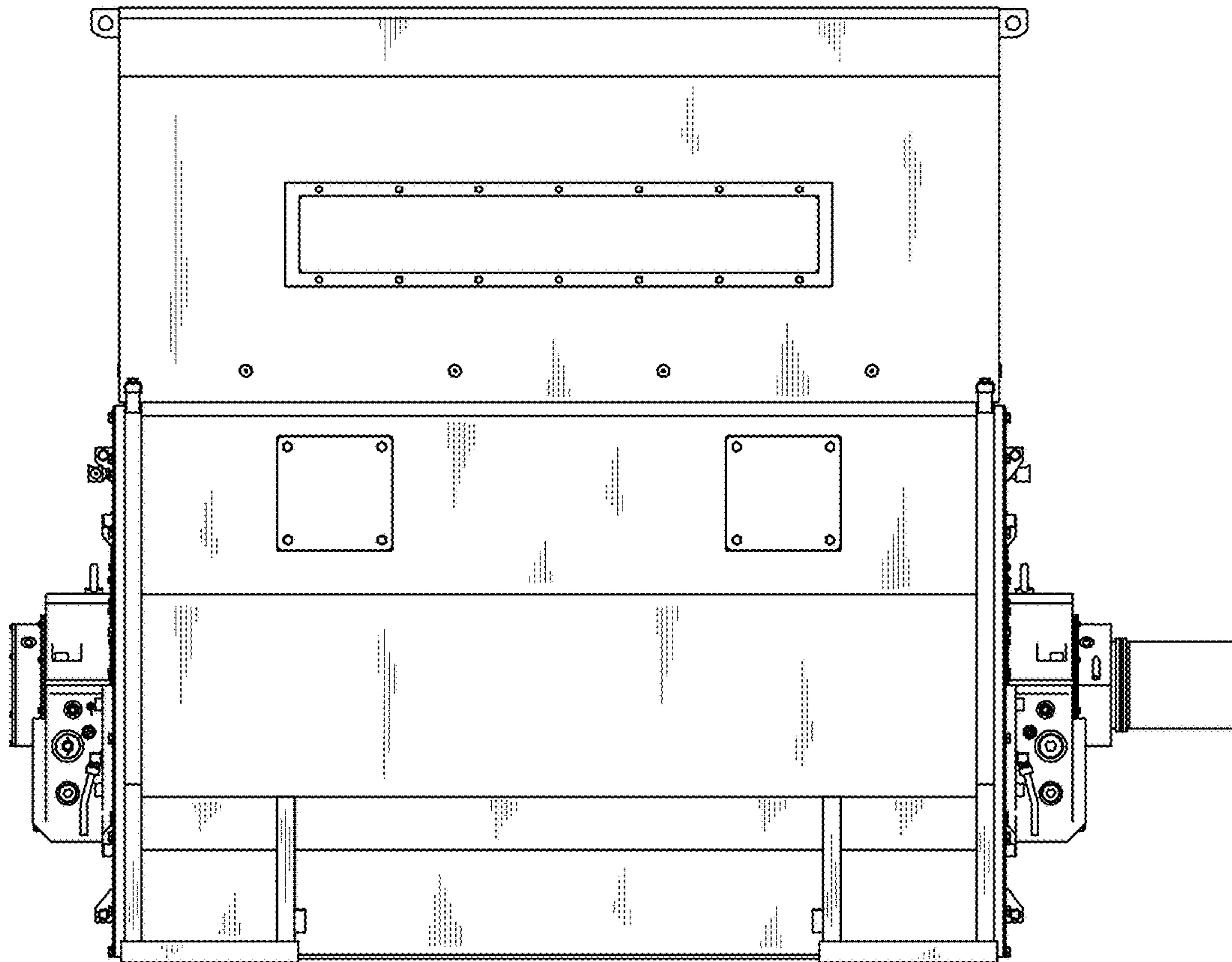


FIG 3

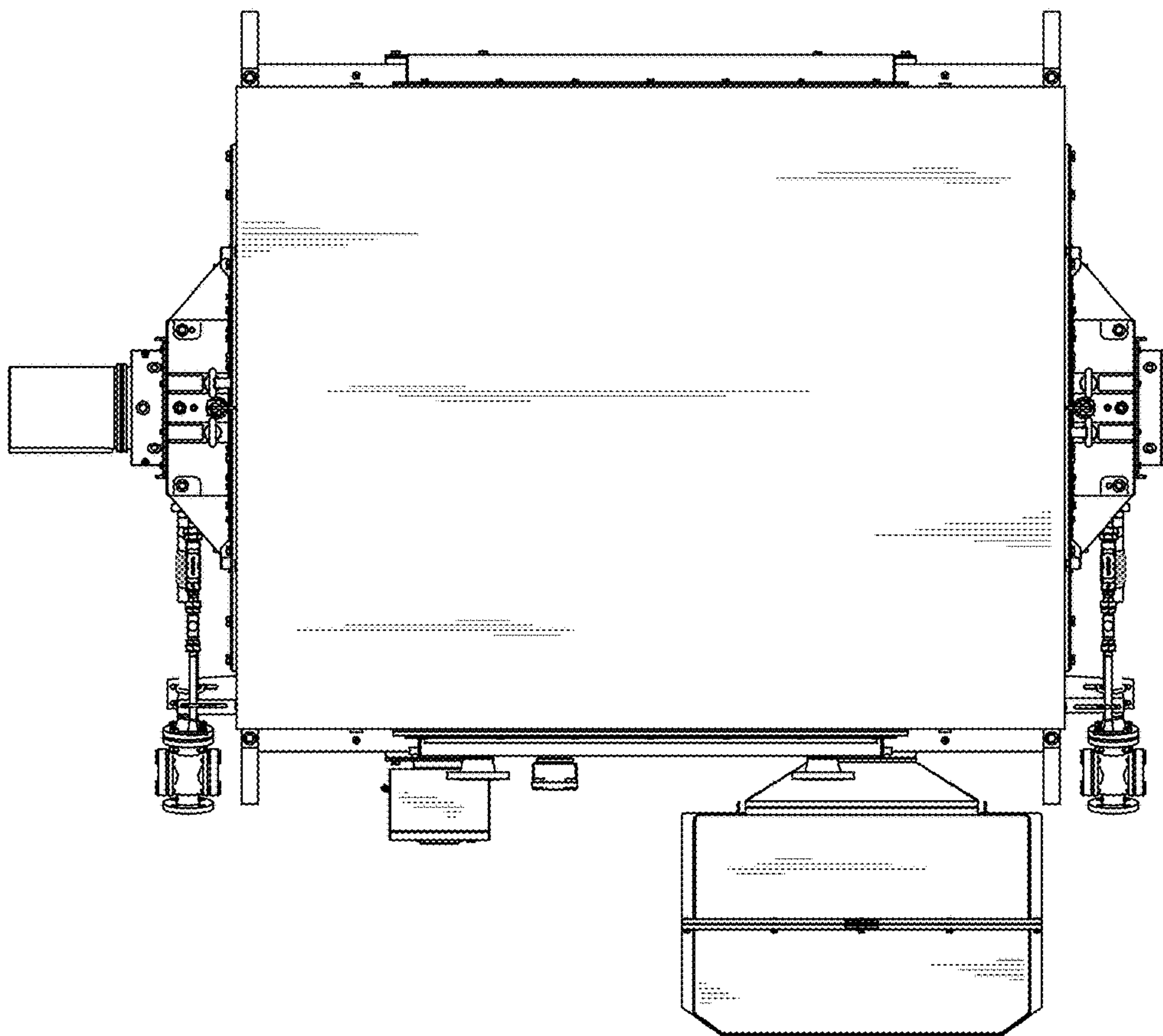


FIG 4

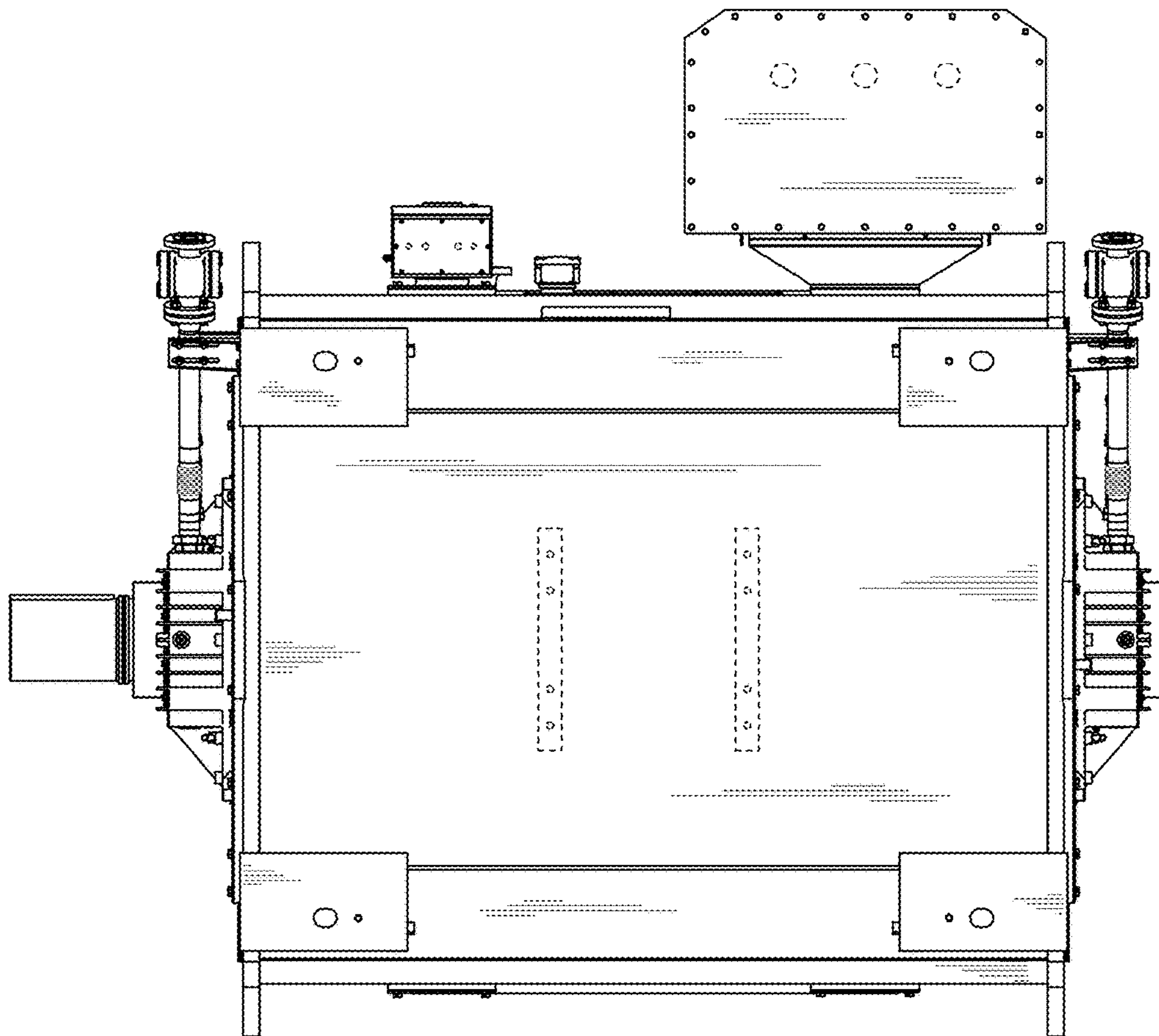


FIG 5

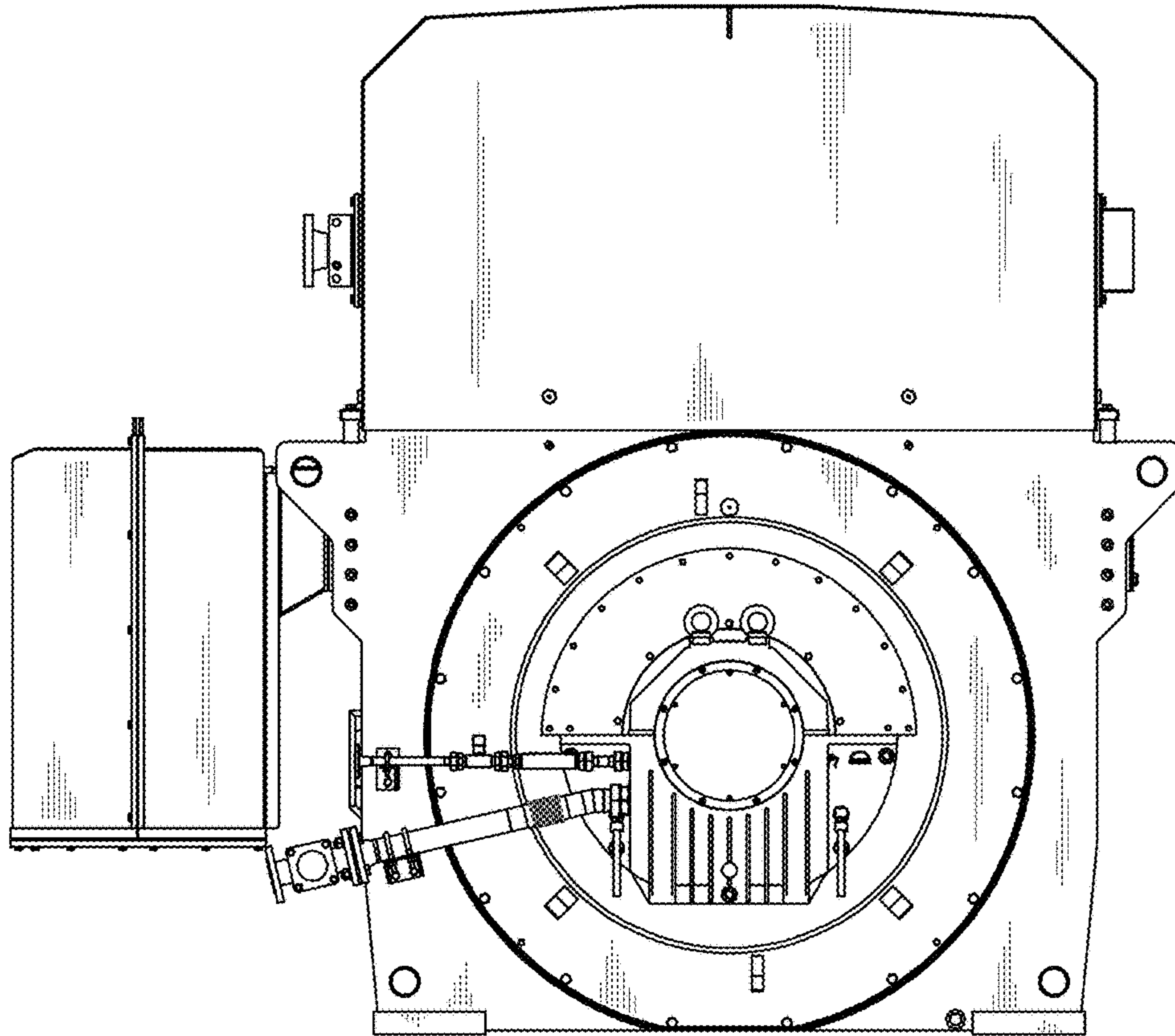


FIG 6

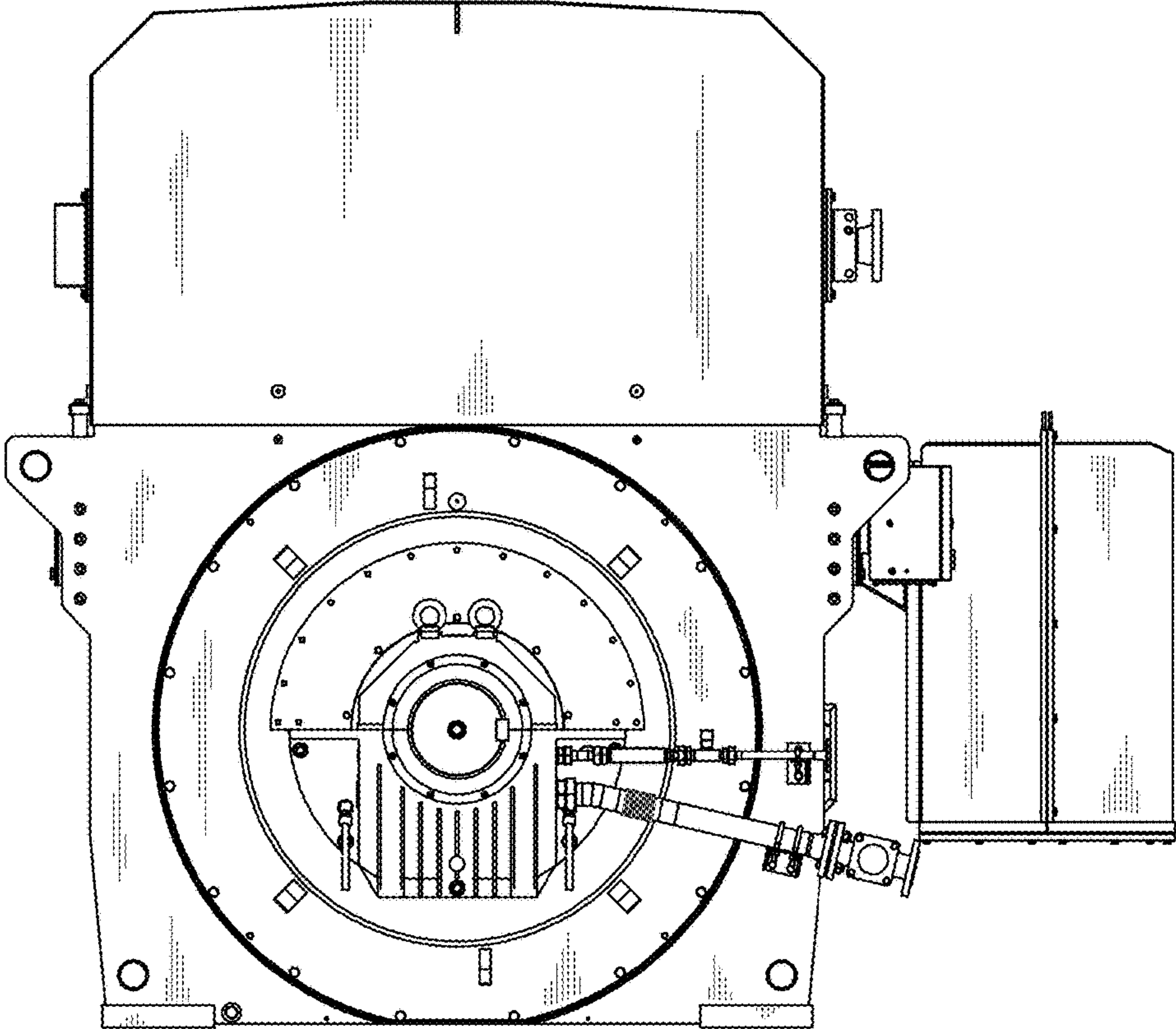


FIG 7

