



US00D806029S

(12) **United States Design Patent**  
**Lin**

(10) **Patent No.:** **US D806,029 S**

(45) **Date of Patent:** **\*\* Dec. 26, 2017**

(54) **HYDROGEN RICH WATER AND HUMIDIFIED GAS GENERATOR**

D654,023 S \* 2/2012 Kyle Ching Hao ..... D13/110  
D662,881 S \* 7/2012 He ..... D13/116  
D696,196 S \* 12/2013 Plato ..... D13/112

(71) Applicant: **Hsin-Yung Lin**, Shanghai (TW)

FOREIGN PATENT DOCUMENTS

(72) Inventor: **Hsin-Yung Lin**, Shanghai (TW)

TW 211449 8/1993  
TW 232549 10/1994  
TW 357992 5/1999  
TW M380458 5/2010  
TW 201134509 A 10/2011

(\*\*) Term: **14 Years**

\* cited by examiner

(21) Appl. No.: **29/524,188**

(22) Filed: **Apr. 17, 2015**

*Primary Examiner* — Derrick Holland

(30) **Foreign Application Priority Data**

(74) *Attorney, Agent, or Firm* — Foster Pepper PLLC

Oct. 16, 2014 (TW) ..... 103306092

(51) **LOC (10) Cl.** ..... **13-01**

(52) **U.S. Cl.**  
USPC ..... **D13/112**

(58) **Field of Classification Search**  
USPC ..... D13/101, 110, 112, 113, 114, 115, 116,  
D13/118, 122; 290/1 A, 1 B, 1 R;  
310/89; 322/100; 361/730, 836  
CPC ..... F02B 63/04; F02D 19/066; F24H 9/02  
See application file for complete search history.

(57) **CLAIM**

The ornamental design for a hydrogen rich water and humidified gas generator, as shown and described.

**DESCRIPTION**

FIG. 1 is a perspective view of a hydrogen rich water and humidified gas generator according to the invention;  
FIG. 2 is another perspective view thereof;  
FIG. 3 is a front view thereof;  
FIG. 4 is a rear view thereof;  
FIG. 5 is a left side view thereof;  
FIG. 6 is a right side view thereof;  
FIG. 7 is a top view thereof; and,  
FIG. 8 is a bottom view thereof.

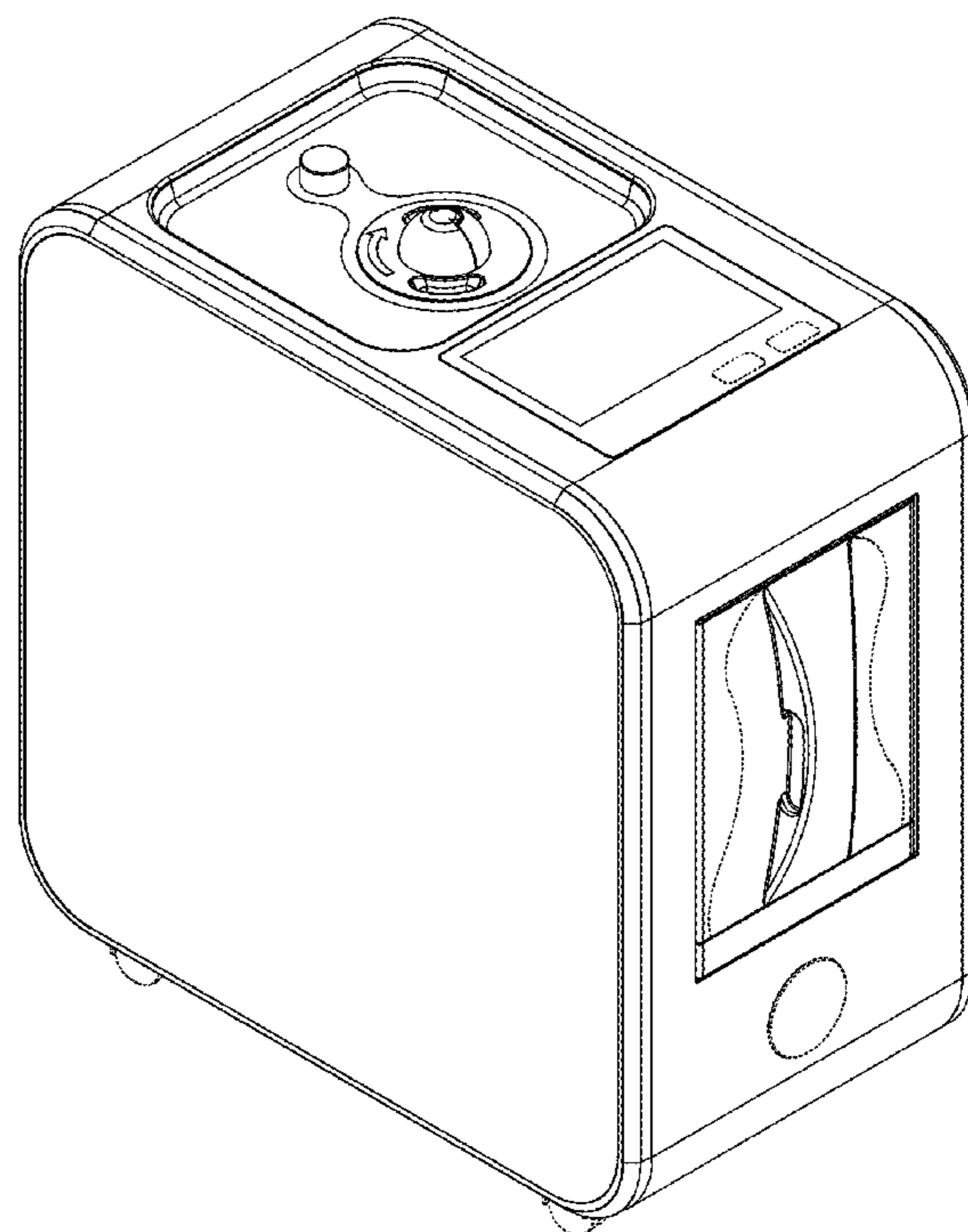
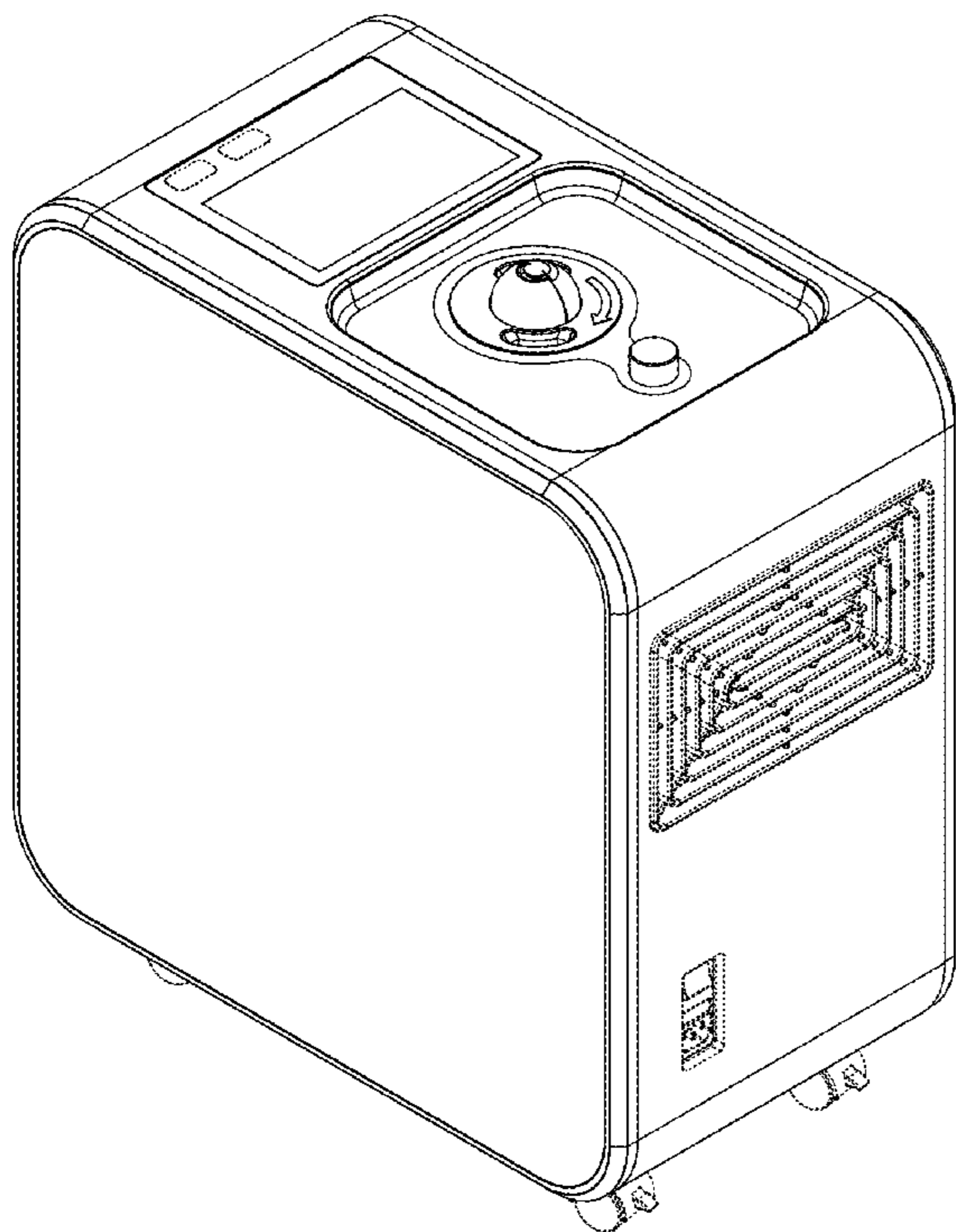
The broken lines shown represent unclaimed subject matter and form no part of the claimed design.

(56) **References Cited**

U.S. PATENT DOCUMENTS

3,310,483 A \* 3/1967 Rhodes ..... C25B 9/066  
204/268  
D291,432 S \* 8/1987 Yaguchi ..... D13/116  
D588,062 S \* 3/2009 Bao ..... D13/122  
D641,318 S \* 7/2011 Maeda ..... D13/116

**1 Claim, 8 Drawing Sheets**



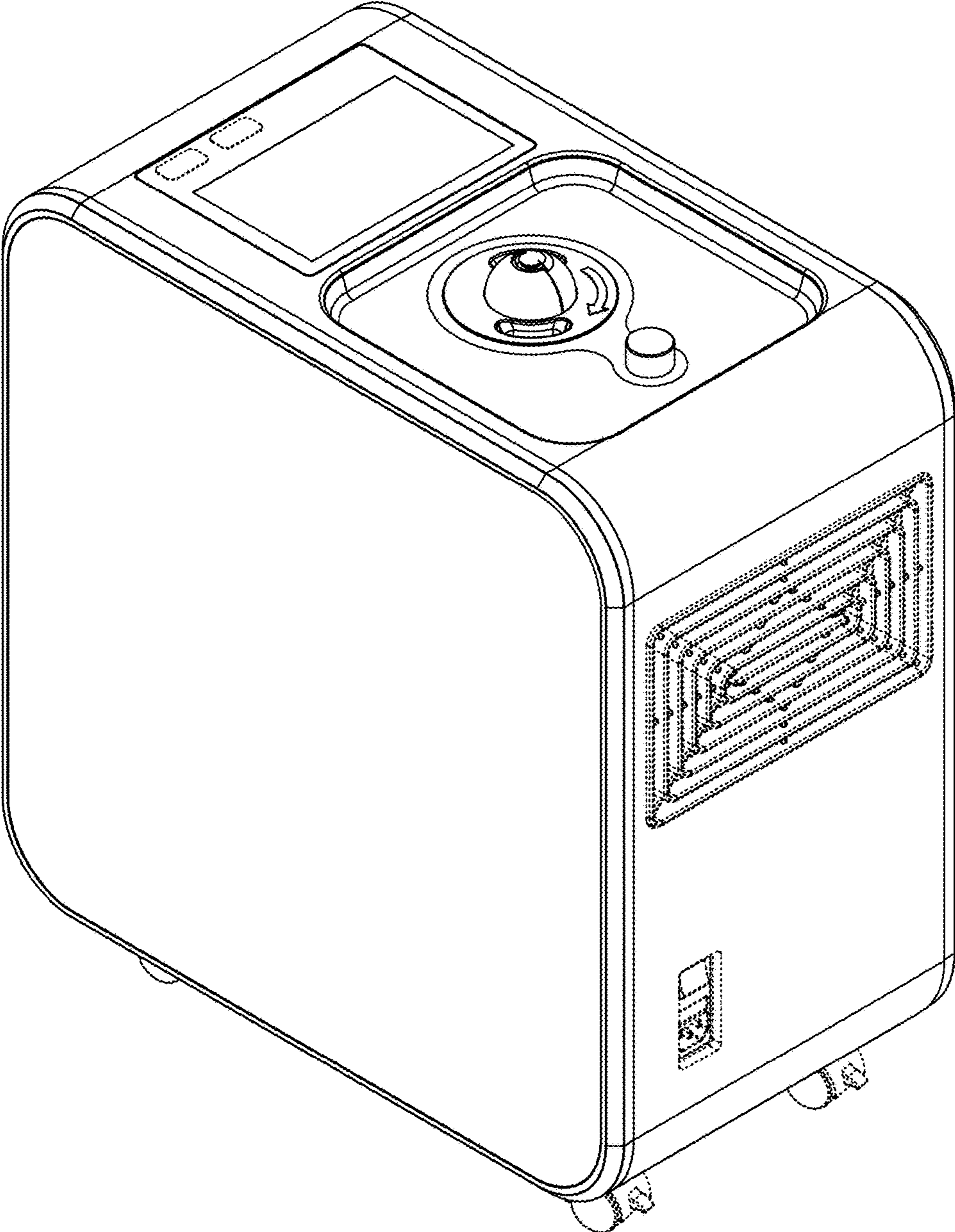


FIG. 1

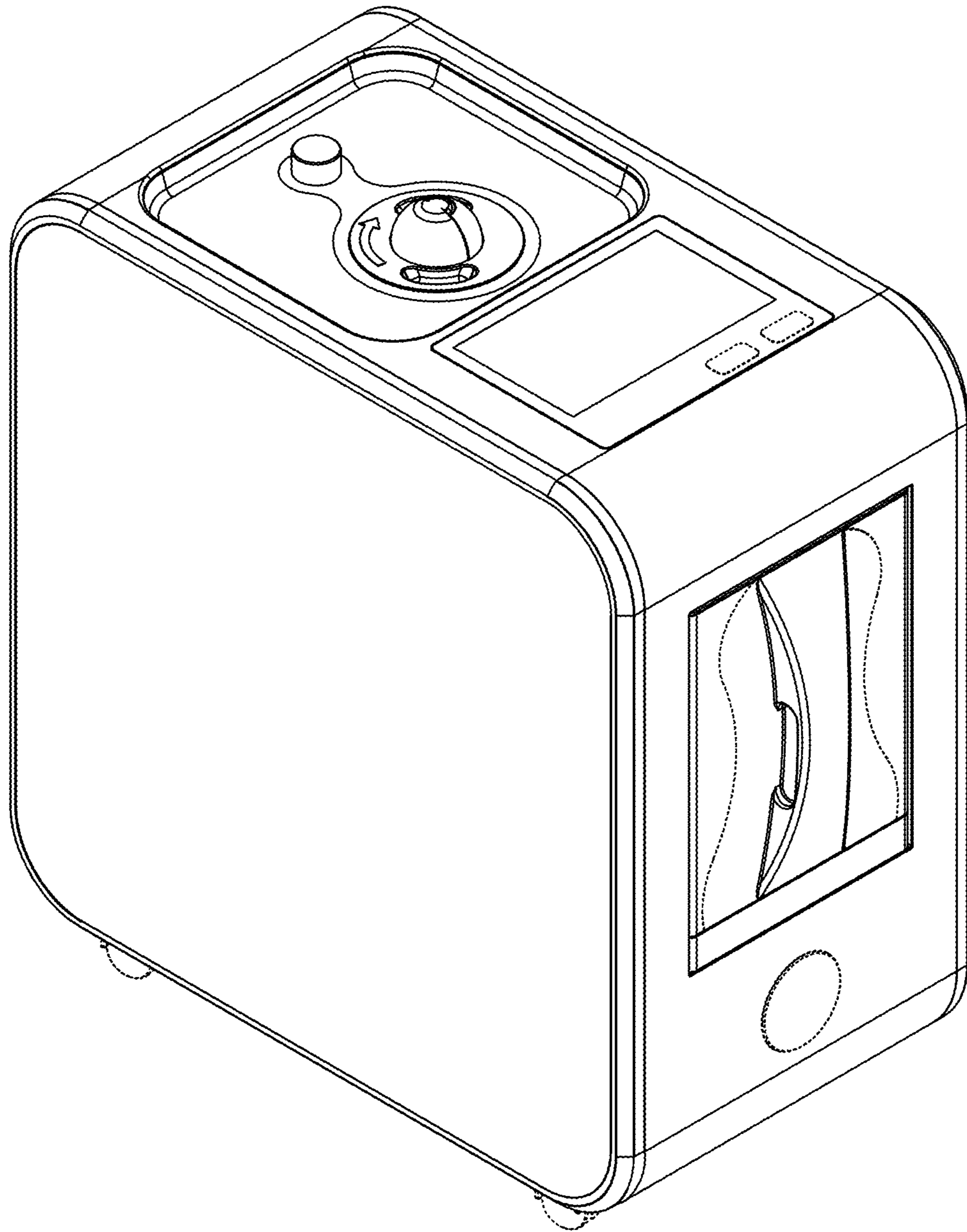


FIG. 2

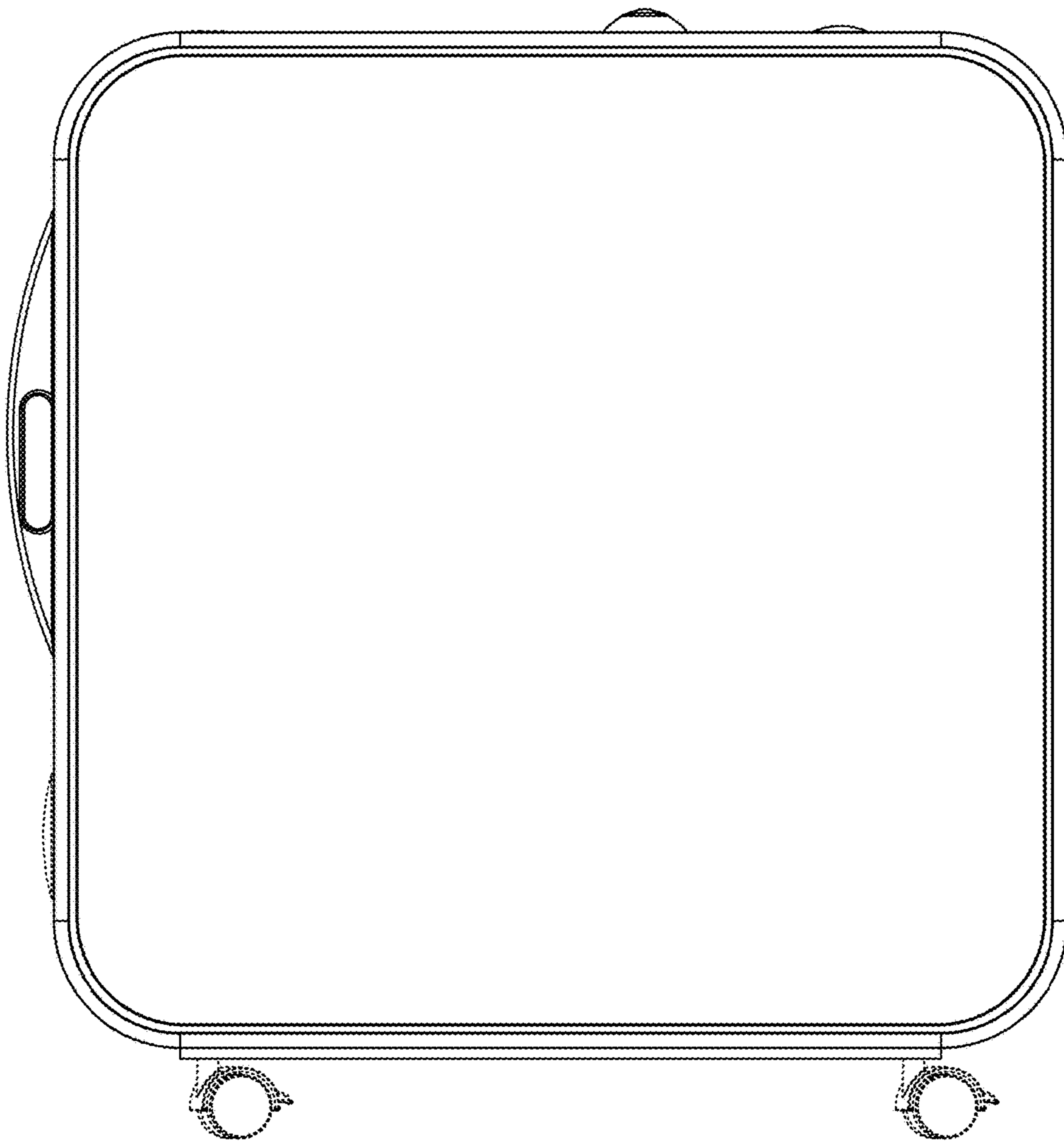


FIG. 3

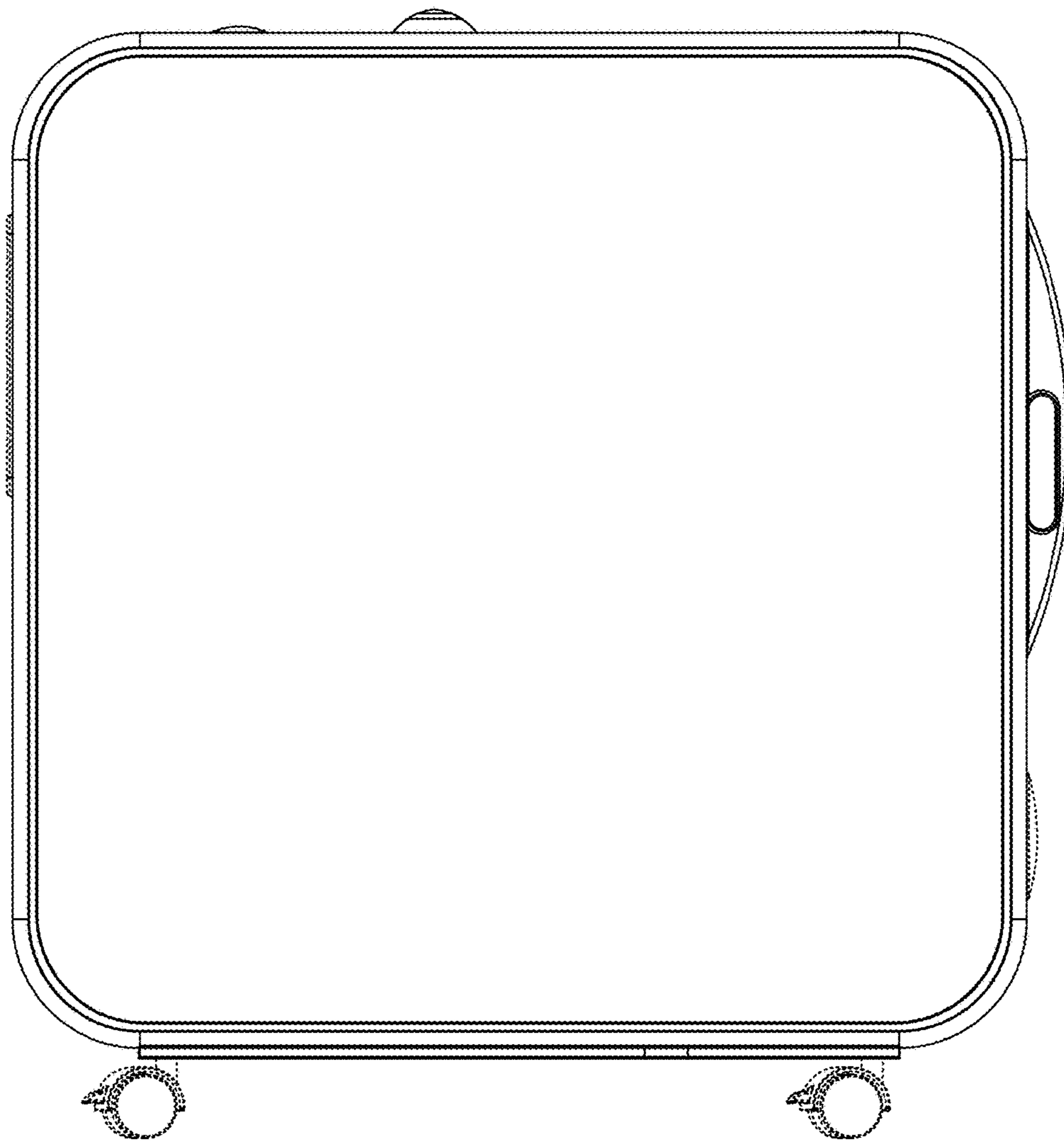


FIG. 4

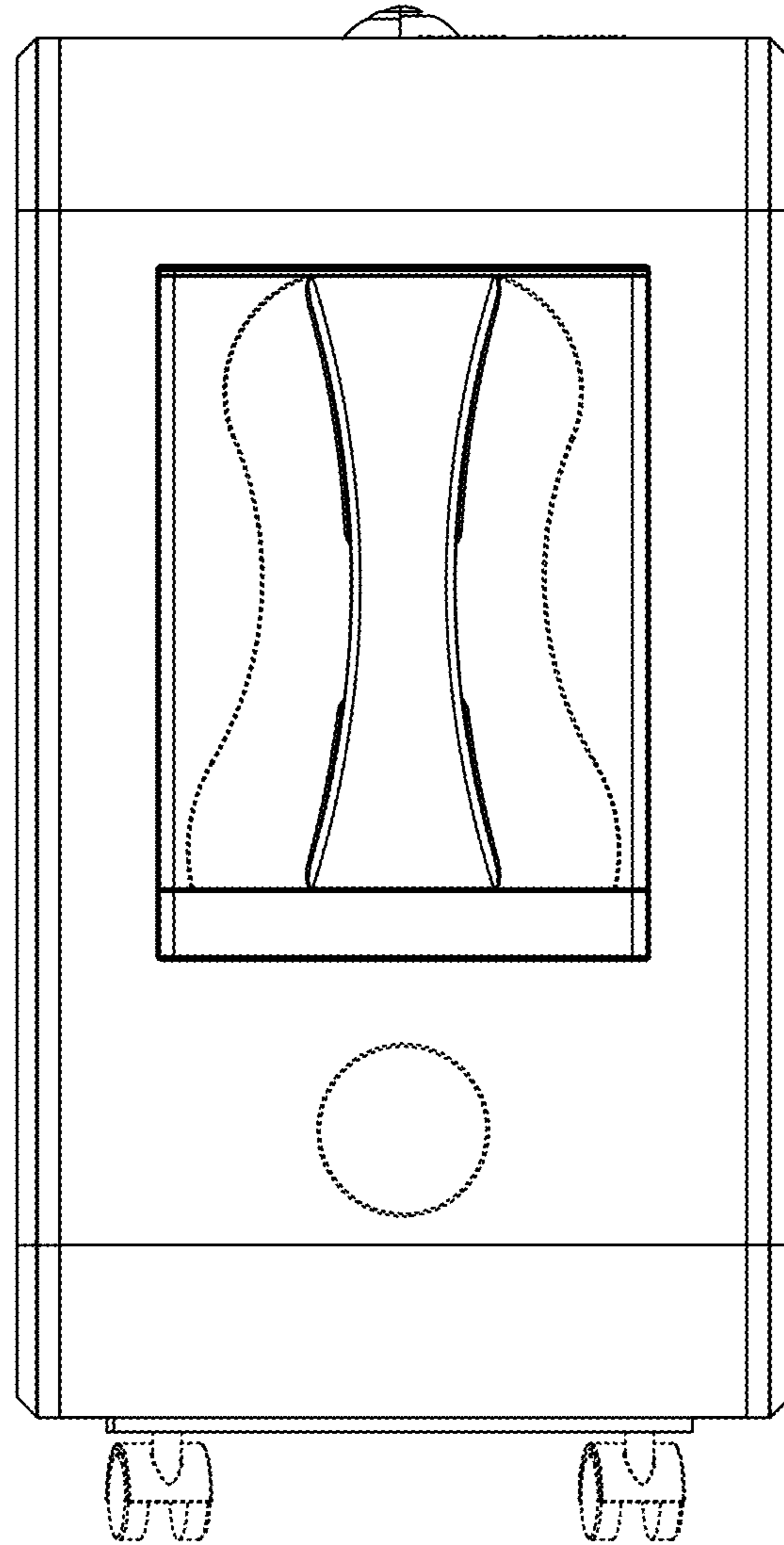


FIG. 5

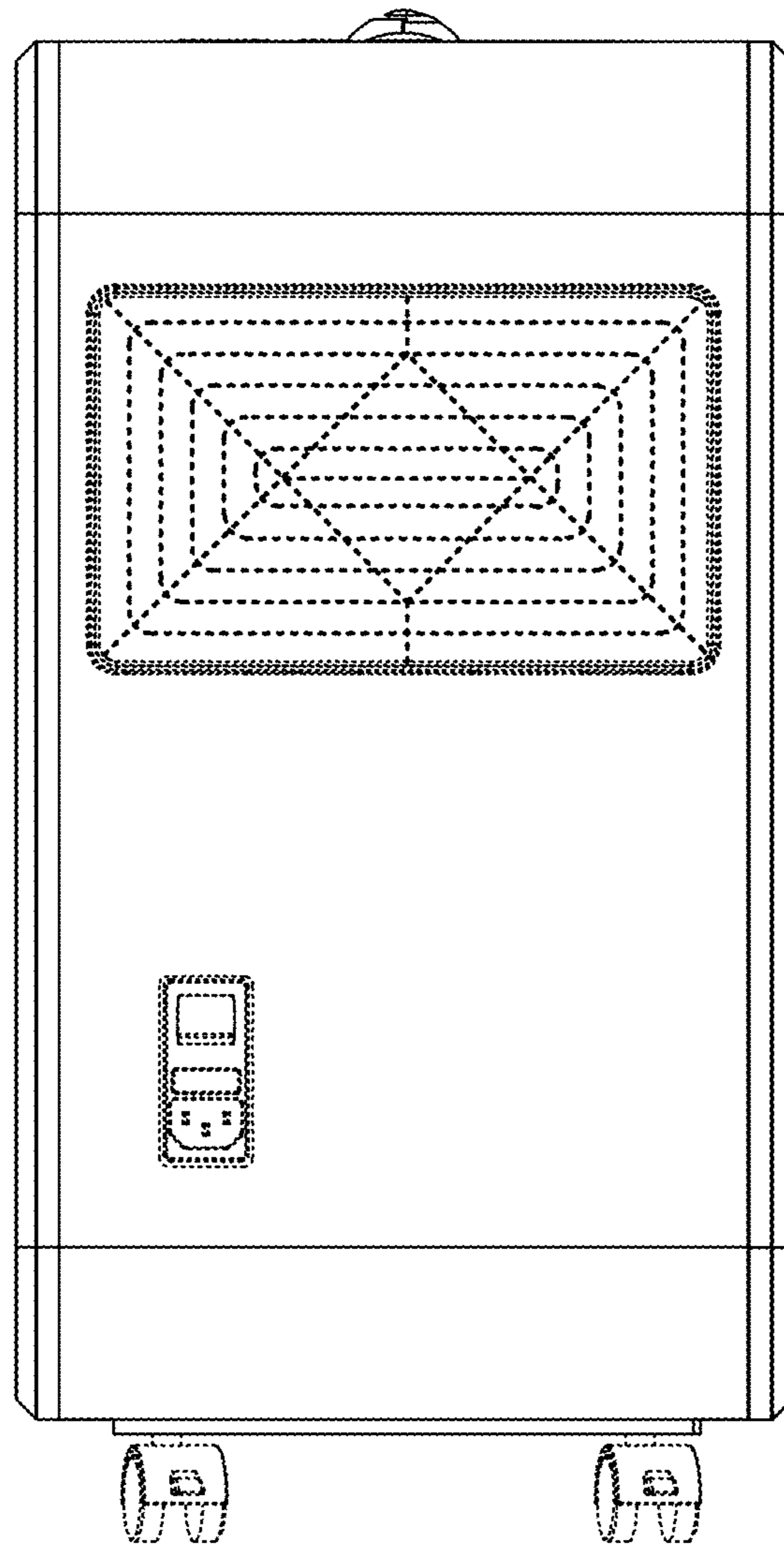


FIG. 6

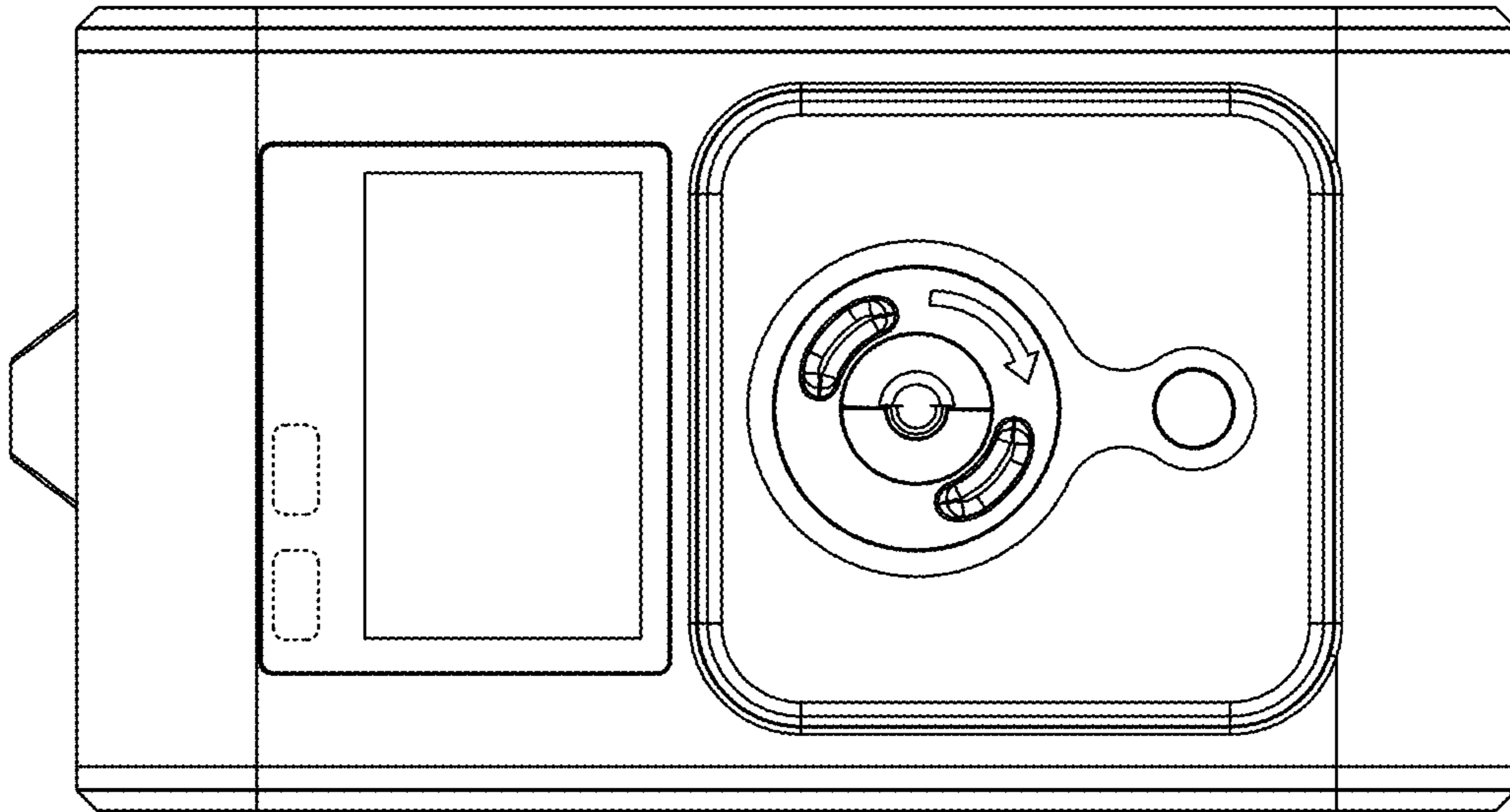


FIG. 7



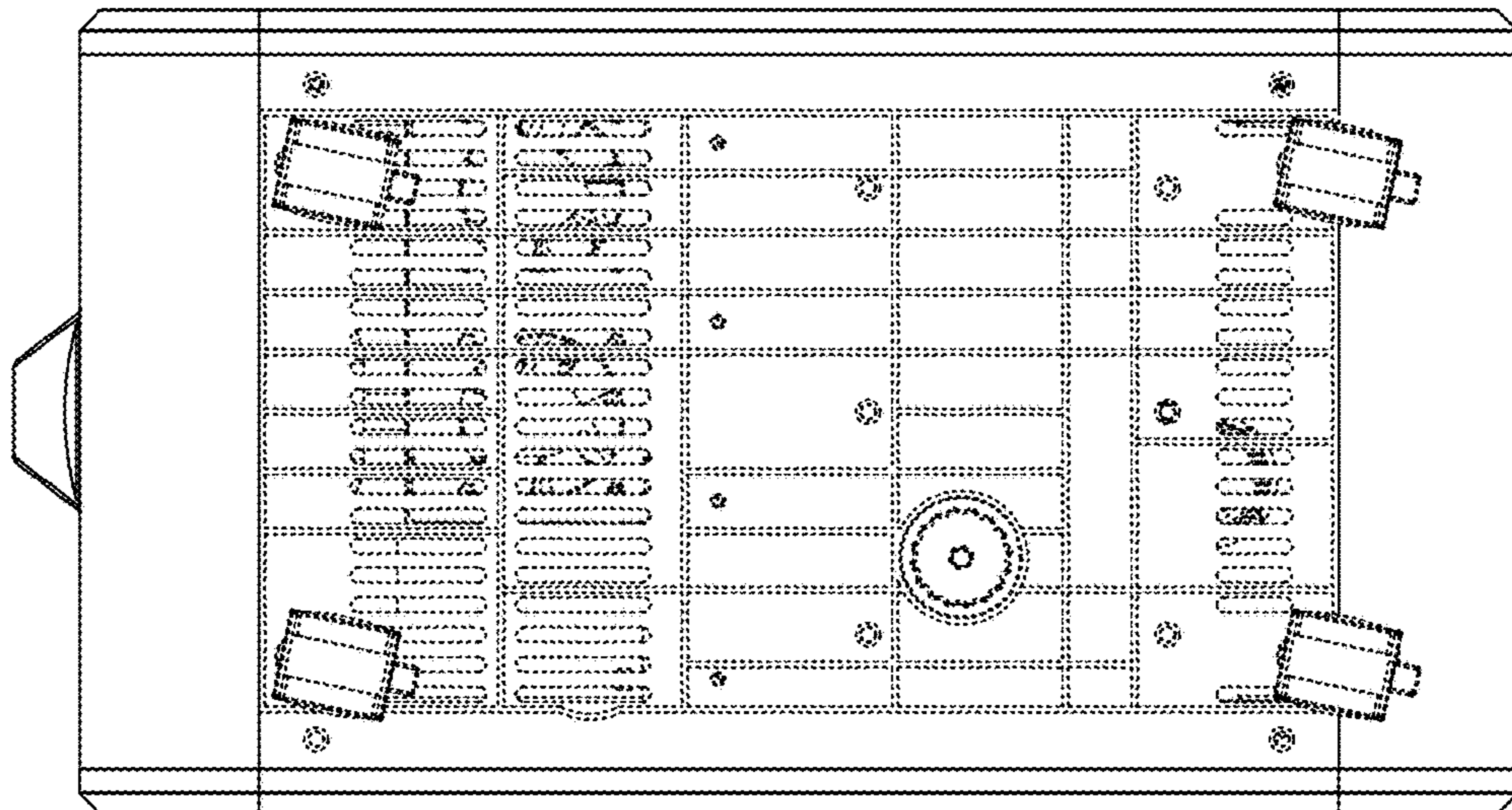


FIG. 8