



US00D806028S

(12) **United States Design Patent** (10) **Patent No.:** **US D806,028 S**
Amasaki (45) **Date of Patent:** **** Dec. 26, 2017**

(54) **POWER CONVERTER**
(71) Applicant: **TABUCHI ELECTRIC CO., LTD.**,
Osaka-shi, Osaka (JP)
(72) Inventor: **Hirohito Amasaki**, Osaka (JP)
(73) Assignee: **TABUCHI ELECTRIC CO., LTD.**,
Osaka-shi, Osaka (JP)
(**) Term: **15 Years**

D724,535 S 3/2015 Wang et al.
D727,263 S * 4/2015 Benn D13/110
D744,948 S * 12/2015 Pronk D13/110
D768,072 S * 10/2016 Kim D13/103

FOREIGN PATENT DOCUMENTS

CN 204179929 U 2/2015
CN 204190678 U 3/2015
CN 204392099 U 6/2015
CN 205070817 U 3/2016

(21) Appl. No.: **29/570,694**
(22) Filed: **Jul. 11, 2016**
(51) **LOC (10) Cl.** **13-02**
(52) **U.S. Cl.**
USPC **D13/110**
(58) **Field of Classification Search**
USPC D13/102–110, 118, 199, 184;
D14/203.3–203.8, 217, 240, 248,
D14/250–253, 432, 434, 440, 450, 496;
D3/201, 207–209, 218, 269, 212, 301,
D3/273, 303
CPC Y02E 60/12; Y02E 60/122; Y02E 60/124;
Y02E 60/50; H01M 2/02; H01M 2/022;
H01M 2/0202; H01M 2/0207; H01M
2/0212; H01M 2/1061; H01M 2/1022;
H01M 2/1055; H01M 2/1066; H01M
2/105; H01M 2/204; H01M 10/4257;
H01M 10/0436; H01M 10/48
See application file for complete search history.

OTHER PUBLICATIONS

Power Option Panasonic, posted date Mar. 3, 2016 © Newsroom
Global, [online], [site visited Jun. 30, 2017]. Available from Inter-
net, <URL: <http://news.panasonic.com/global/topics/2016/44857.html>>.*

(Continued)

Primary Examiner — Cynthia Ramirez
Assistant Examiner — Laura Yu
(74) *Attorney, Agent, or Firm* — Sughrue Mion, PLLC

(57) **CLAIM**

The ornamental design for a power converter, as shown and
described.

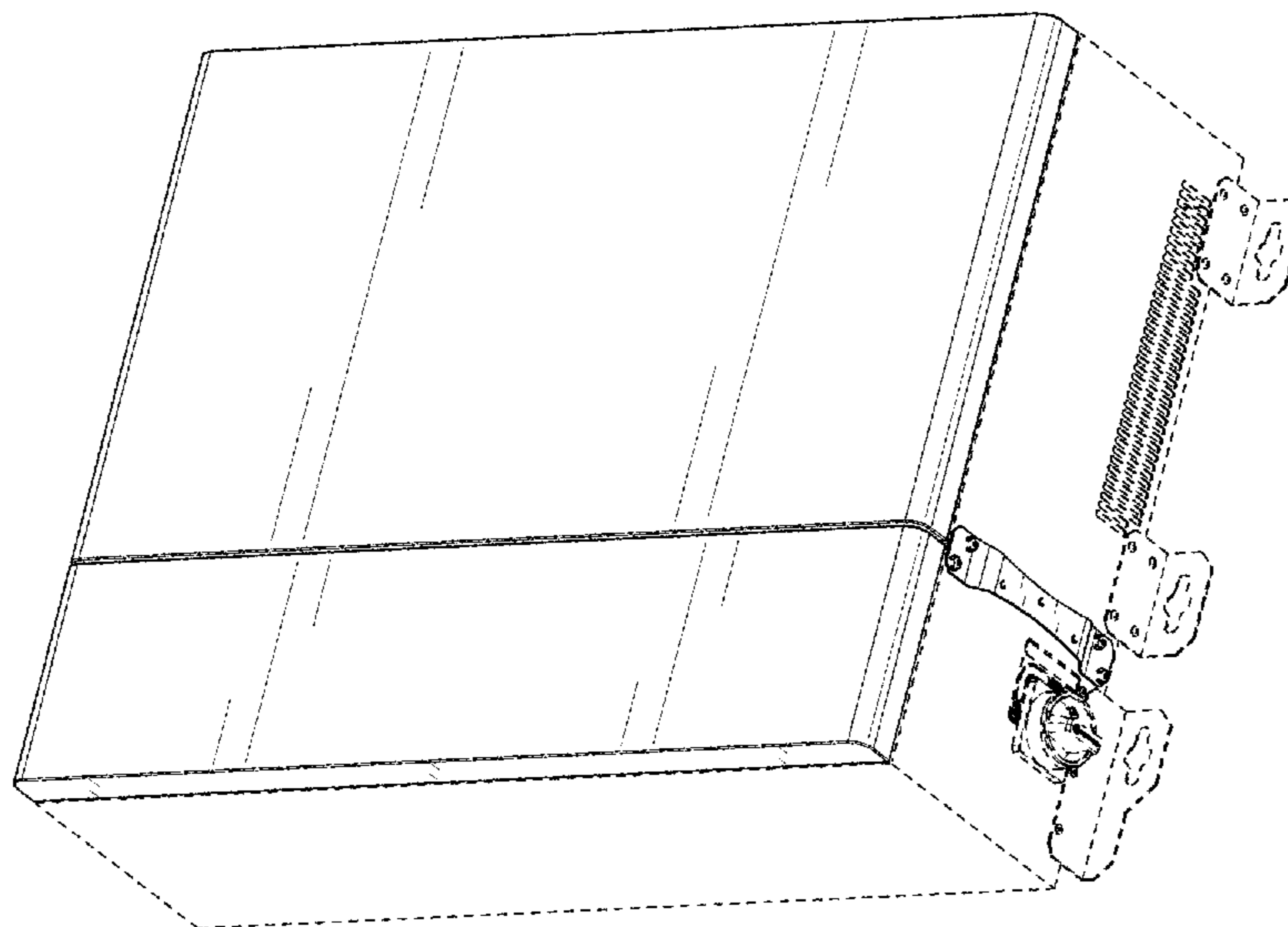
DESCRIPTION

FIG. 1 is perspective view of a power converter showing my
design.
FIG. 2 is a front view thereof.
FIG. 3 is a rear view thereof.
FIG. 4 is a left side view thereof.
FIG. 5 is a right side view thereof.
FIG. 6 is a top view thereof; and,
FIG. 7 is a bottom view thereof.
The broken lines are used to show unclaimed environment,
and thus form no part of the claimed design.

(56) **References Cited**
U.S. PATENT DOCUMENTS

D347,210 S * 5/1994 Sharpe D13/164
D362,003 S * 9/1995 Claudio D13/184
D602,859 S * 10/2009 Kaiser D13/101
D708,572 S 7/2014 Hou et al.

1 Claim, 7 Drawing Sheets



(56)

References Cited

OTHER PUBLICATIONS

Panasonic Tests Solar Battery, posted by Lindsay Handmer posted date Jun. 3, 2015 © Gizmodo.com, [online], [site visited Jun. 30, 2017]. Available from Internet, <URL: <https://www.gizmodo.com.au/2015/06/panasonic-tests-solar-battery-storage-system-in-australia/>>.*

Battery Chemistry Types posted by Solar Choice Staff, posted date Jul. 6, 2016, © SolarChoice.com, [online], [site visited Jun. 30, 2017]. Available from Internet, <URL: <https://www.solarchoice.net.au/blog/battery-types-home-energy-storage>>.*

"Hosola 40KTL Inverter String Inverter", www.hosola.com/uploadfile/2014/20140925035142346.pdf, downloaded Jul. 11, 2016, 2 pages.

"Installation and Operating Instructions, Zevelution Pro 33L Solar Inverter," Zeversolar, Jul. 10, 2015, 80 pages.

"Delta Unveils Wall-Mounted 80 kW String Inverter." <http://solarindustrymag.com/delta-unveils-wall-mounted-80-kw-string-inverter>, May 18, 2016, 5 pages.

"GTM Research: Inverter Shipments Rise As Prices Fall." http://www.pv-magazine.com/news/details/beitrag/gtm-research--inverter-shipments-rise-as-prices-fall-_100018211/%20axzz4DWI2PgHi, Feb. 12, 2015, 1 page.

"Solar Inverters, iMars BG20-30KwW(TR)," http://www.invt-solar.com/product_10_2_40.html, downloaded Jul. 11, 2016, 4 pages.

"Suntree 30000TL/ 30 KW(three-phase) Series Three-Phase String Inverter." <http://www.solarforthai.com/product/suntree-30000tl-30kw-three-phase-series-three-phase-string-inverter/>, downloaded Jul. 11, 2016, 4 pages.

Sorotec High Frequency Pure Sine Wave Wall Mounted Solar Power Inverter System 1-5KVA.' <http://trends.directindustry.com/shenzhen-soro-electronics-co-ltd/project-160898-128637.html>, downloaded Jul. 11, 2016, 4 pages.

* cited by examiner

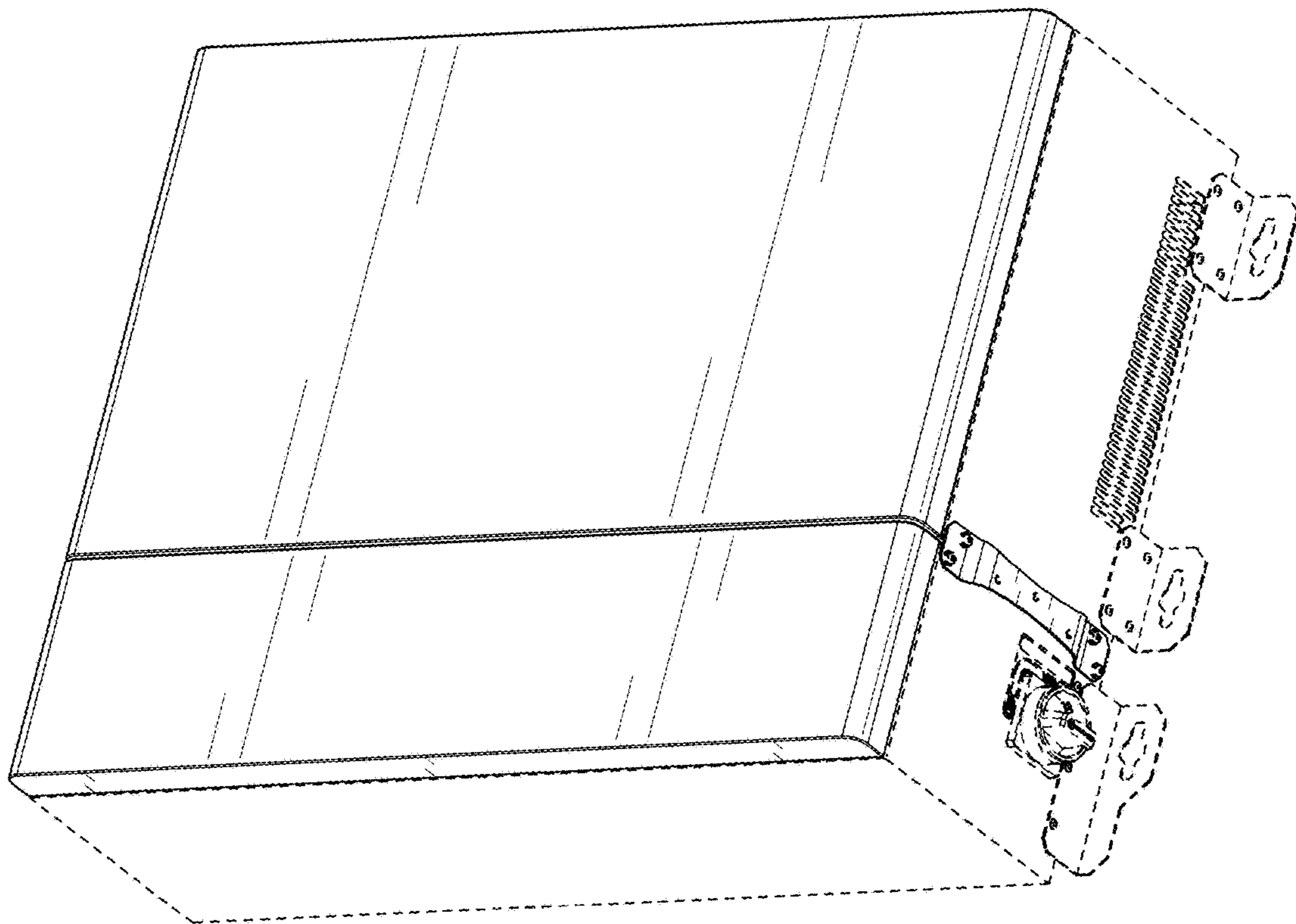


FIG. 1

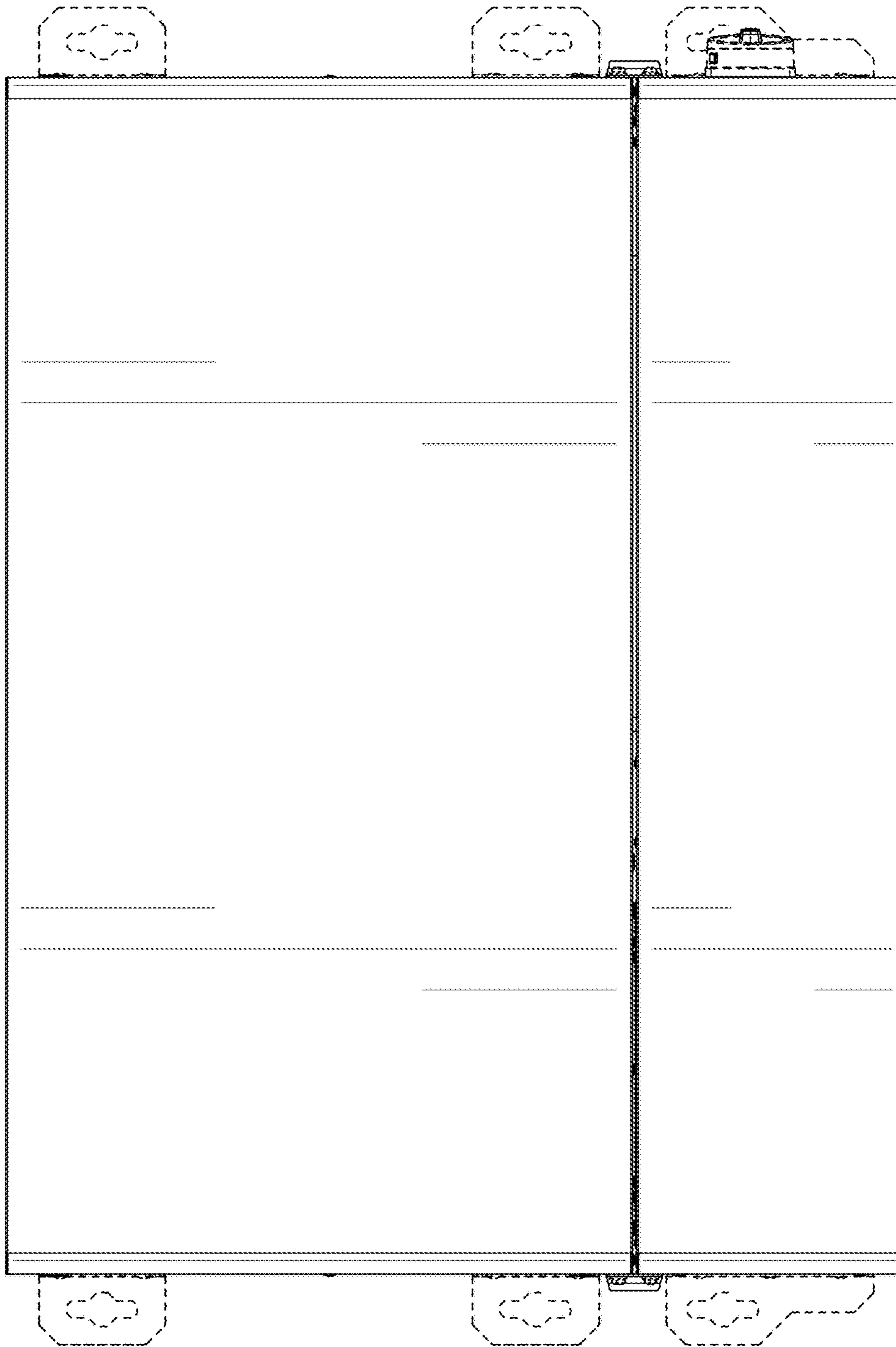


FIG. 2

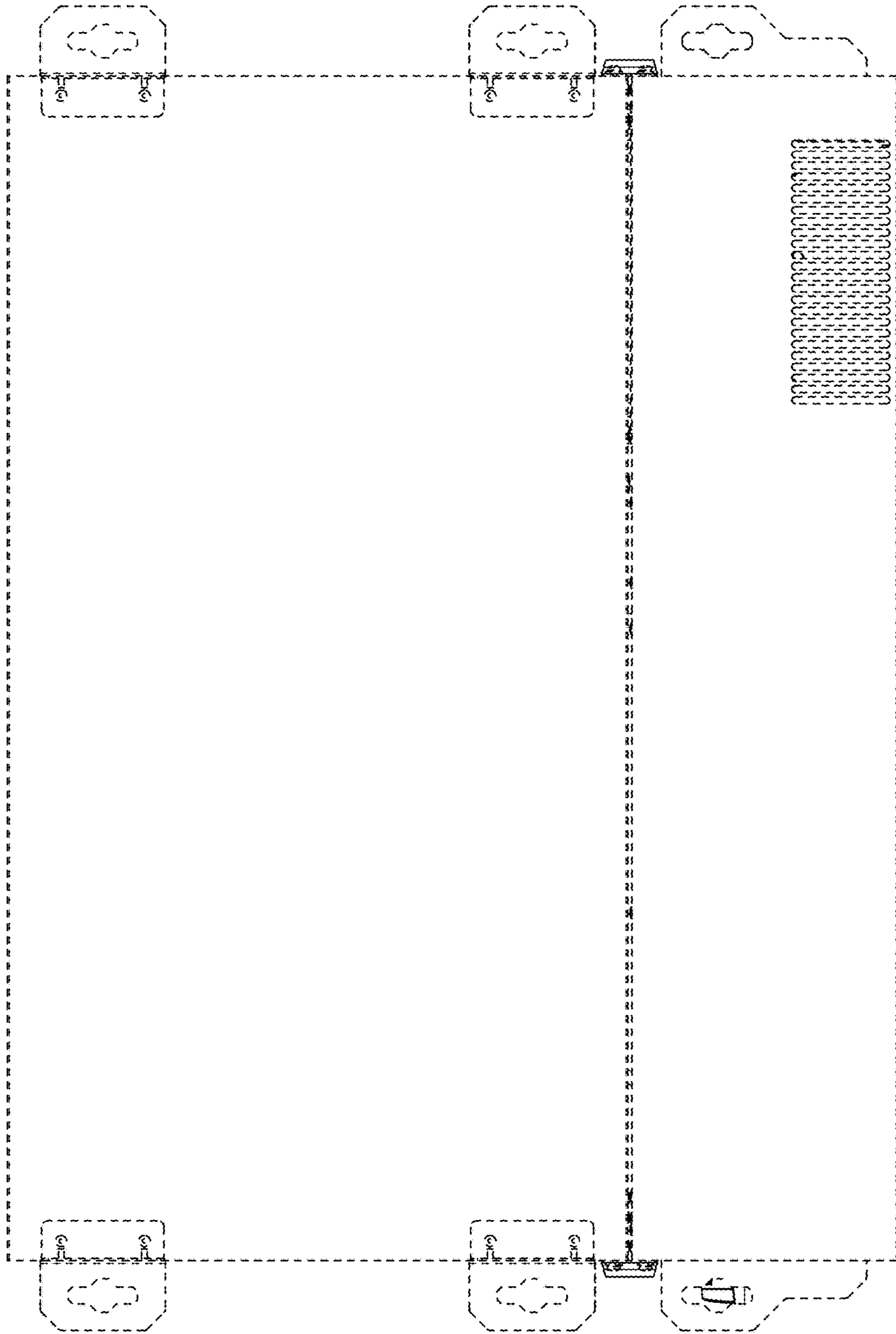


FIG. 3

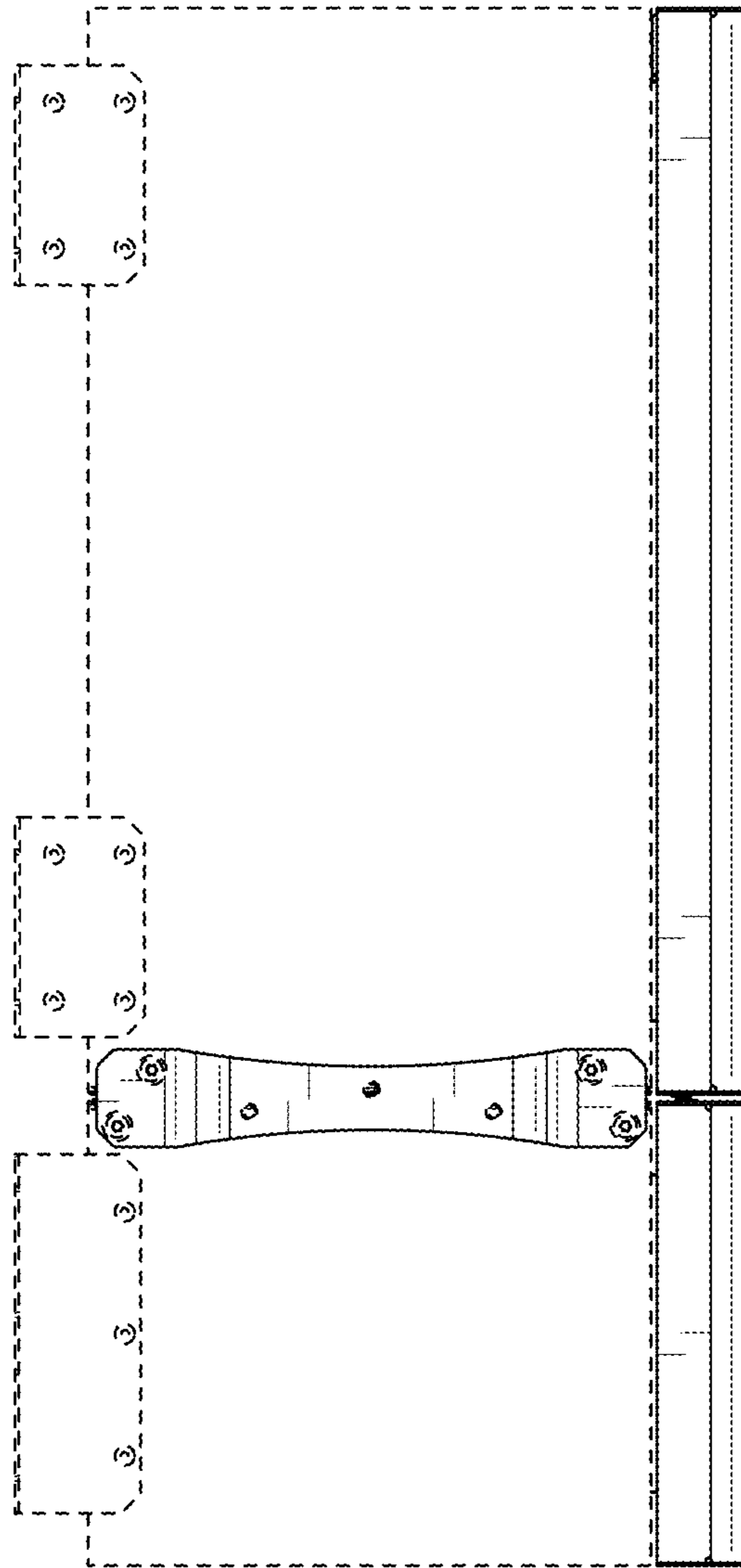


FIG. 4

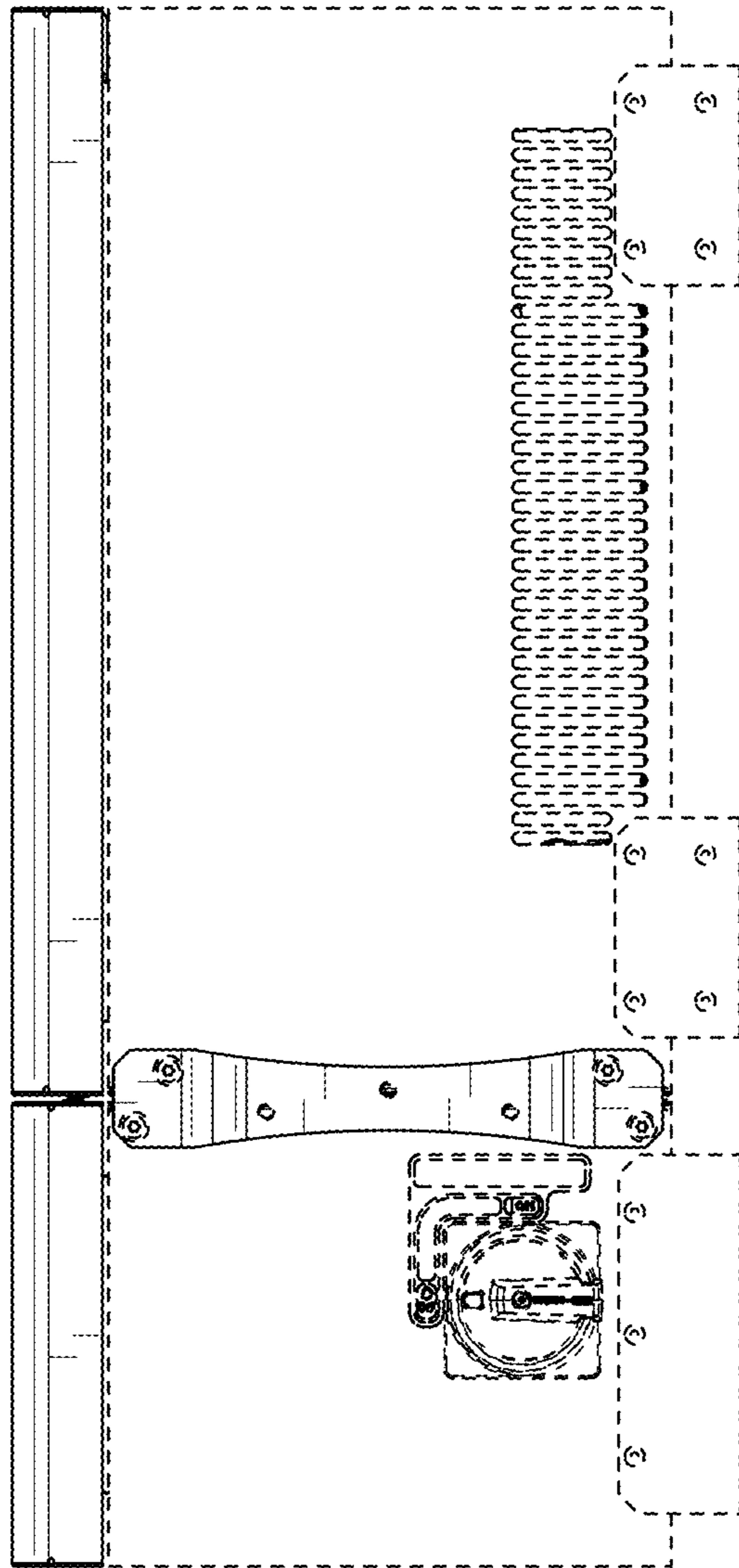


FIG. 5

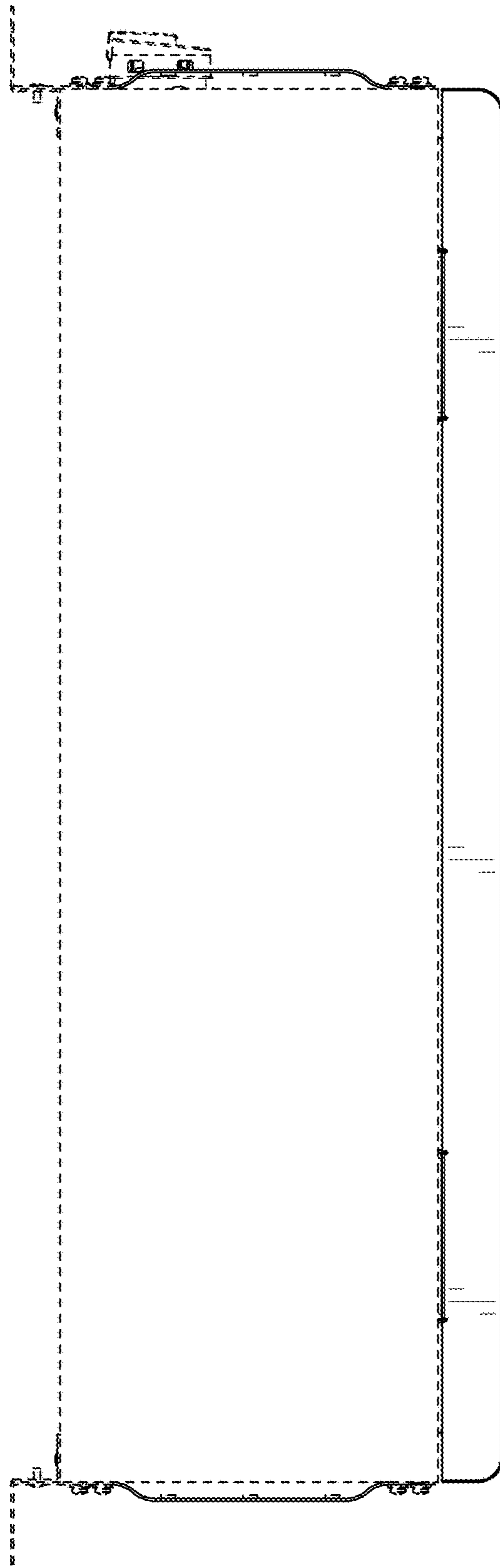


FIG. 6

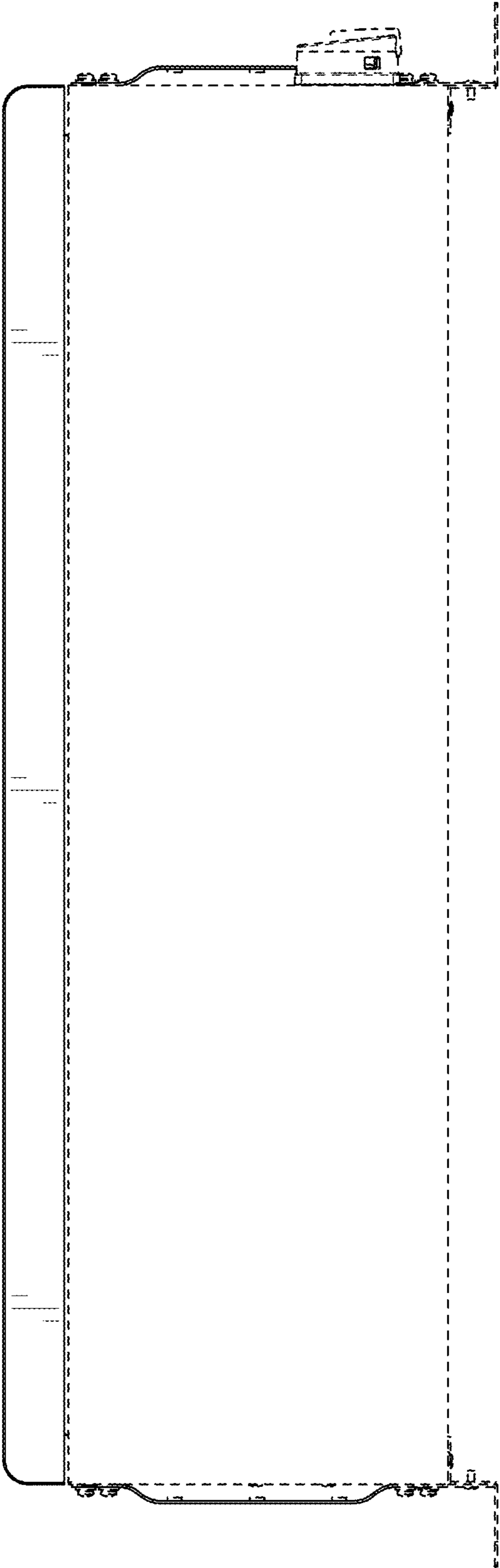


FIG. 7