



US00D806027S

(12) **United States Design Patent** (10) **Patent No.:** **US D806,027 S**
Ceravalo (45) **Date of Patent:** **** Dec. 26, 2017**

(54) **POWER INVERTER**

(71) Applicant: **DAS Companies, Inc.**, Palmyra, PA (US)

(72) Inventor: **Joseph William Ceravalo**, Annville, PA (US)

(73) Assignee: **DAS Companies, Inc.**, Palmyra, PA (US)

(**) Term: **14 Years**

(21) Appl. No.: **29/524,929**

(22) Filed: **Apr. 24, 2015**

(51) **LOC (10) Cl.** **13-02**

(52) **U.S. Cl.**
USPC **D13/110**

(58) **Field of Classification Search**

USPC D13/110, 108, 118, 123, 162, 168, 169,
D13/174, 177, 184, 199; D14/257, 432,
D14/438; 174/16.3, 17 R, 17.08;
361/600, 601, 690, 694, 695, 679.01,
361/679.61, 704, 730; 363/141, 142
CPC H05K 5/00; H05K 5/02; H05K 5/0247;
H05K 7/00; H05K 7/20; H05K 7/20136;
H05K 7/20154; H05K 7/209; H02M 7/00;
H02M 7/003; H02M 2001/009; H02J
7/0042; Y10T 307/367

See application file for complete search history.

(56) **References Cited**

U.S. PATENT DOCUMENTS

5,742,478 A * 4/1998 Wu H05K 7/20154
361/704
5,949,640 A * 9/1999 Cameron H02M 7/003
361/600
D427,969 S * 7/2000 Wei D13/110
D551,621 S * 9/2007 Iacovelli D13/110

(Continued)

Primary Examiner — Derrick Holland

(74) *Attorney, Agent, or Firm* — Design IP

(57) **CLAIM**

The ornamental design for a power inverter, as shown and described.

DESCRIPTION

FIG. 1 is a front, right isometric view of a first embodiment of a power inverter showing my new design;

FIG. 2 is a front view thereof;

FIG. 3 is a rear view thereof;

FIG. 4 is a right side view thereof;

FIG. 5 is a left side view thereof;

FIG. 6 is a top view thereof;

FIG. 7 is a front, right isometric view of a second embodiment of a power inverter showing my new design;

FIG. 8 is a front view thereof;

FIG. 9 is a rear view thereof;

FIG. 10 is a right side view thereof;

FIG. 11 is a left side view thereof;

FIG. 12 is a top view thereof;

FIG. 13 is a front, right isometric view of a third embodiment of a power inverter showing my new design;

FIG. 14 is a front view thereof;

FIG. 15 is a rear view thereof;

FIG. 16 is a right side view thereof;

FIG. 17 is a left side view thereof;

FIG. 18 is a top view thereof;

FIG. 19 is a front, right isometric view of a fourth embodiment of a power inverter showing my new design;

FIG. 20 is a front view thereof;

FIG. 21 is a rear view thereof;

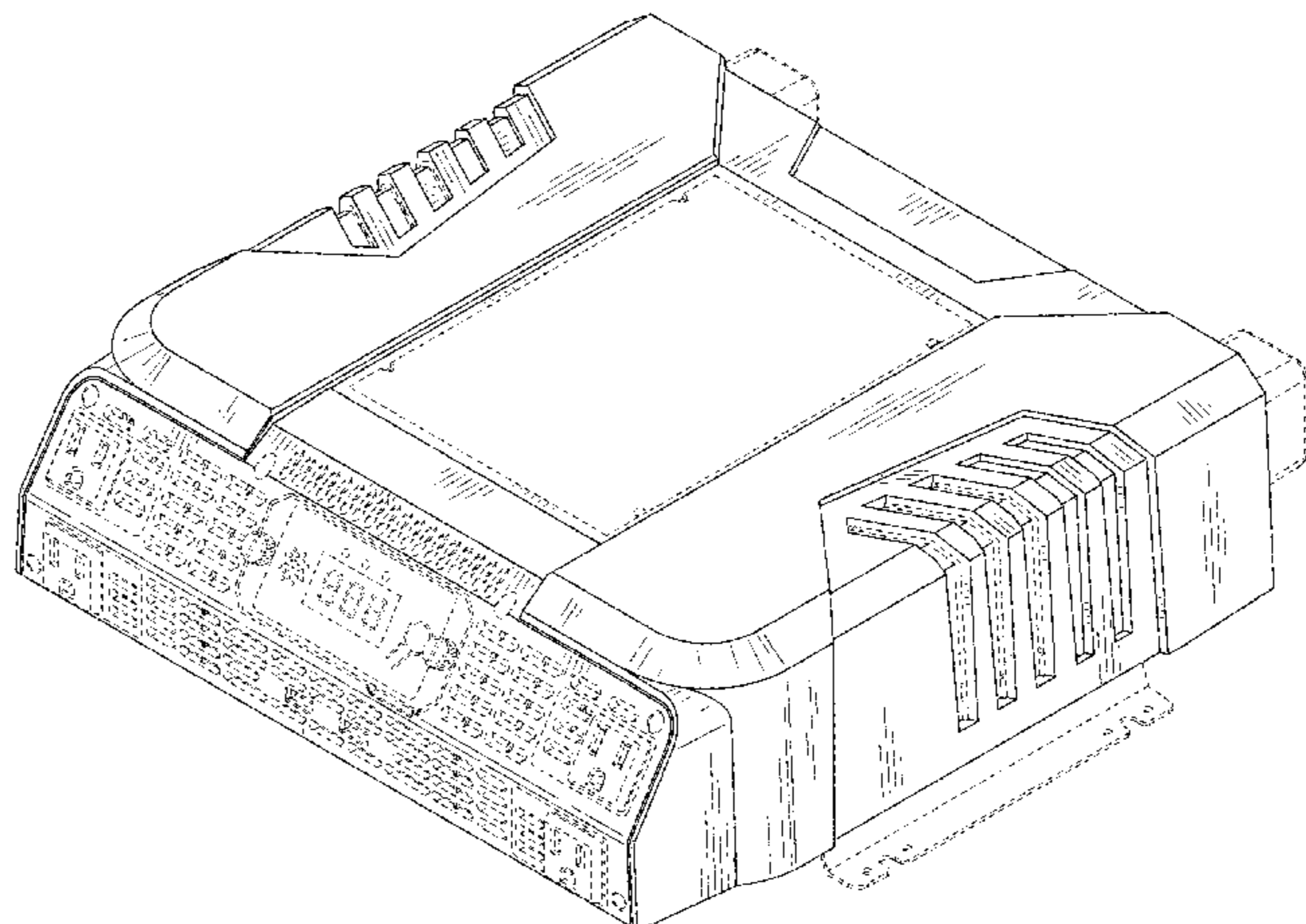
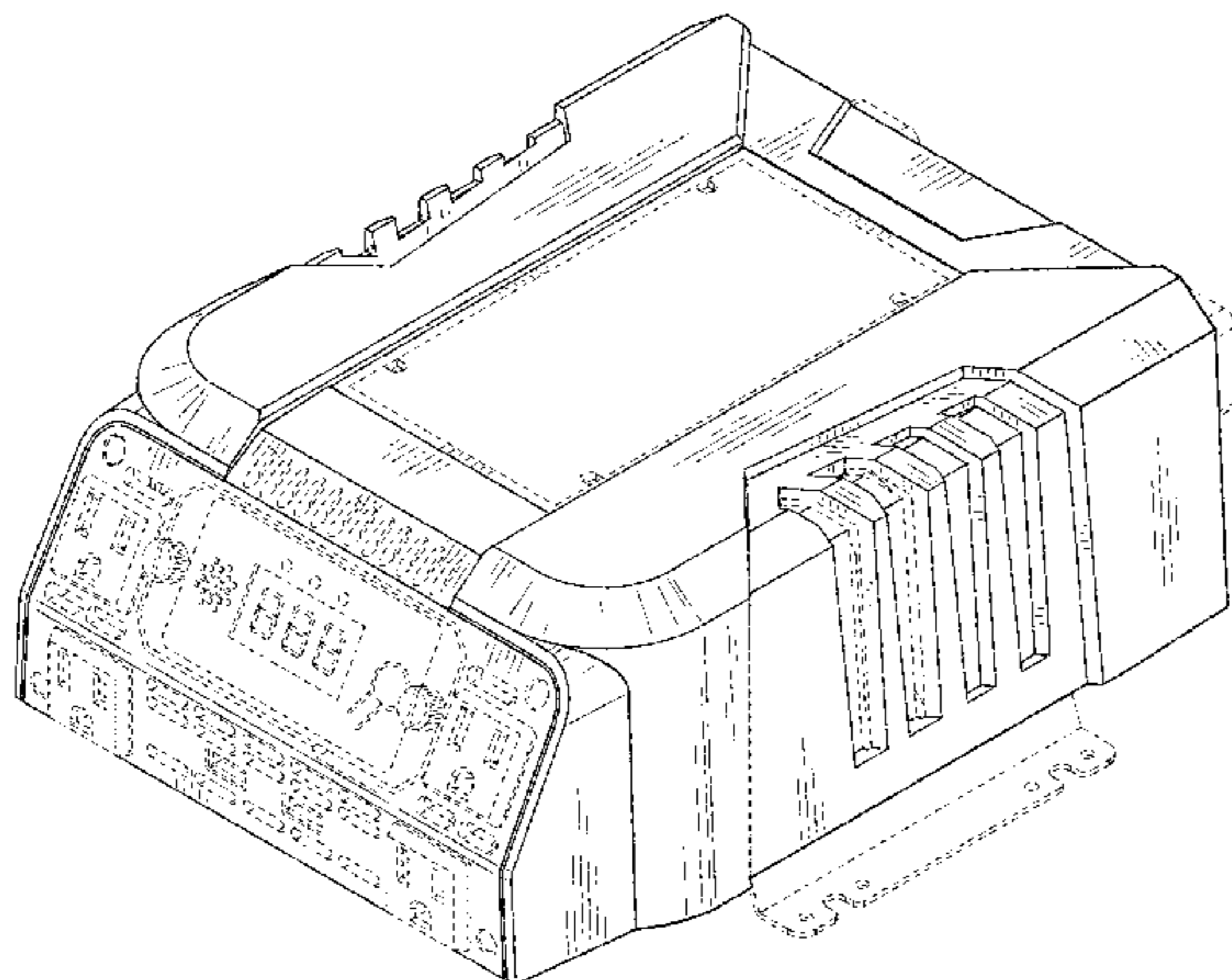
FIG. 22 is a right side view thereof;

FIG. 23 is a left side view thereof; and,

FIG. 24 is a top view thereof.

The broken lines shown in FIGS. 1-24 are included for the purpose of illustrating environmental subject matter only and form no part of the claimed design. The bottom views are omitted and form no part of the claimed design.

1 Claim, 16 Drawing Sheets



(56)

References Cited

U.S. PATENT DOCUMENTS

D555,088	S	*	11/2007	Ohmi	D13/110
D561,688	S	*	2/2008	Hussaini	D13/110
D562,235	S	*	2/2008	Hussaini	D13/110
D627,719	S	*	11/2010	DuMelle	D13/110
D646,633	S	*	10/2011	Inskeep	D13/110
D693,298	S	*	11/2013	Inskeep	D13/110
D705,729	S	*	5/2014	Inskeep	D13/110

* cited by examiner

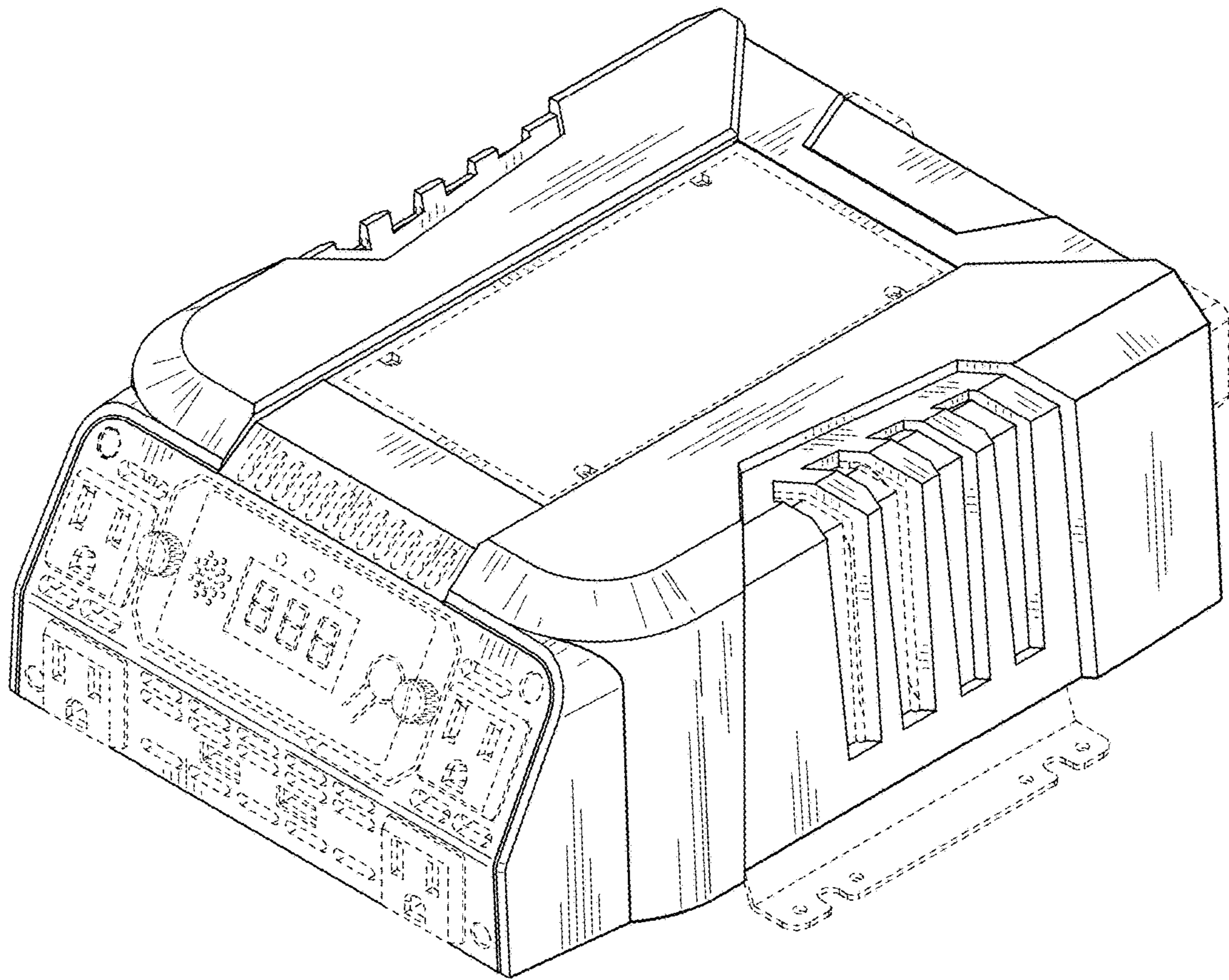


FIG. 1

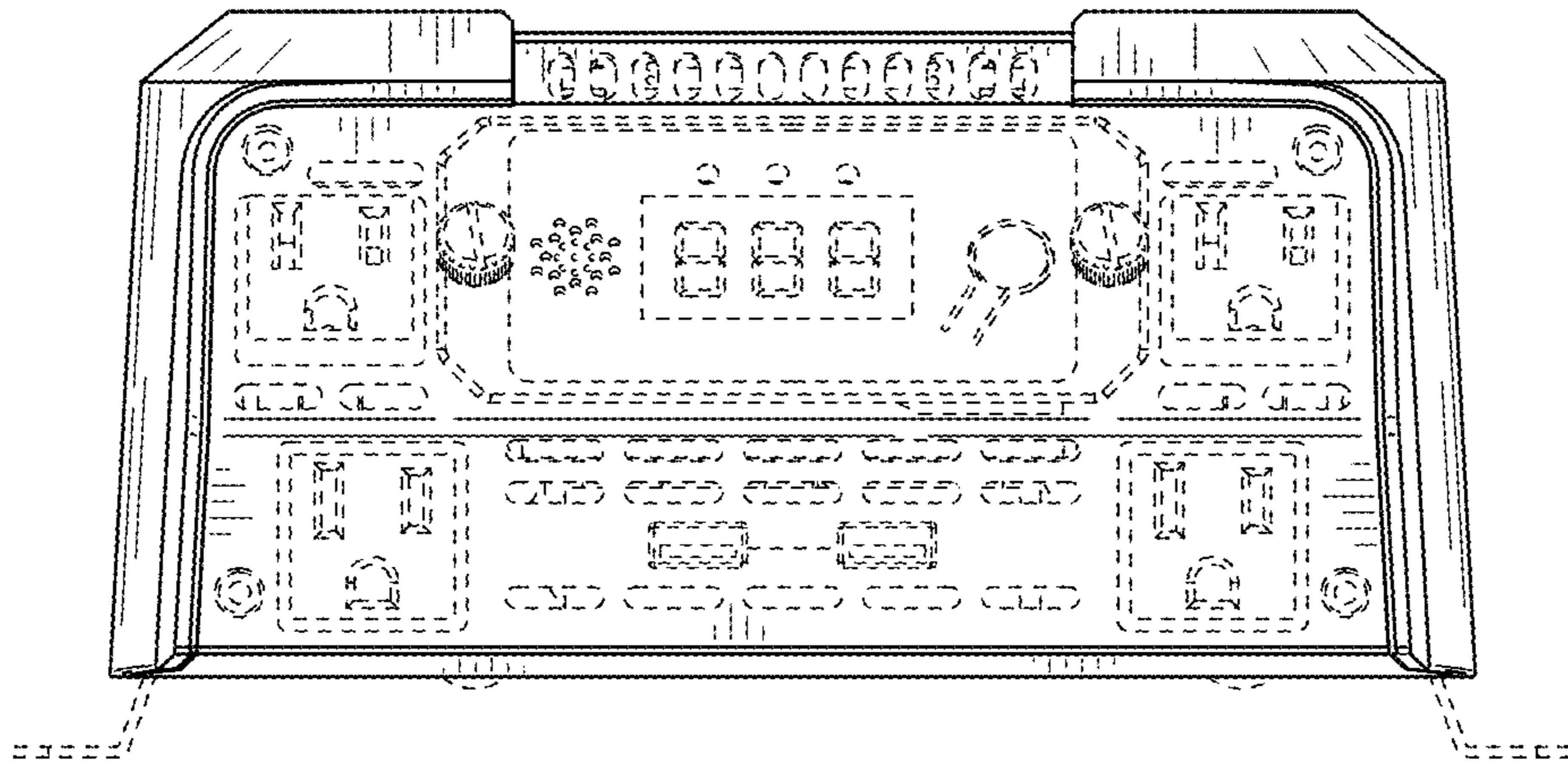


FIG. 2

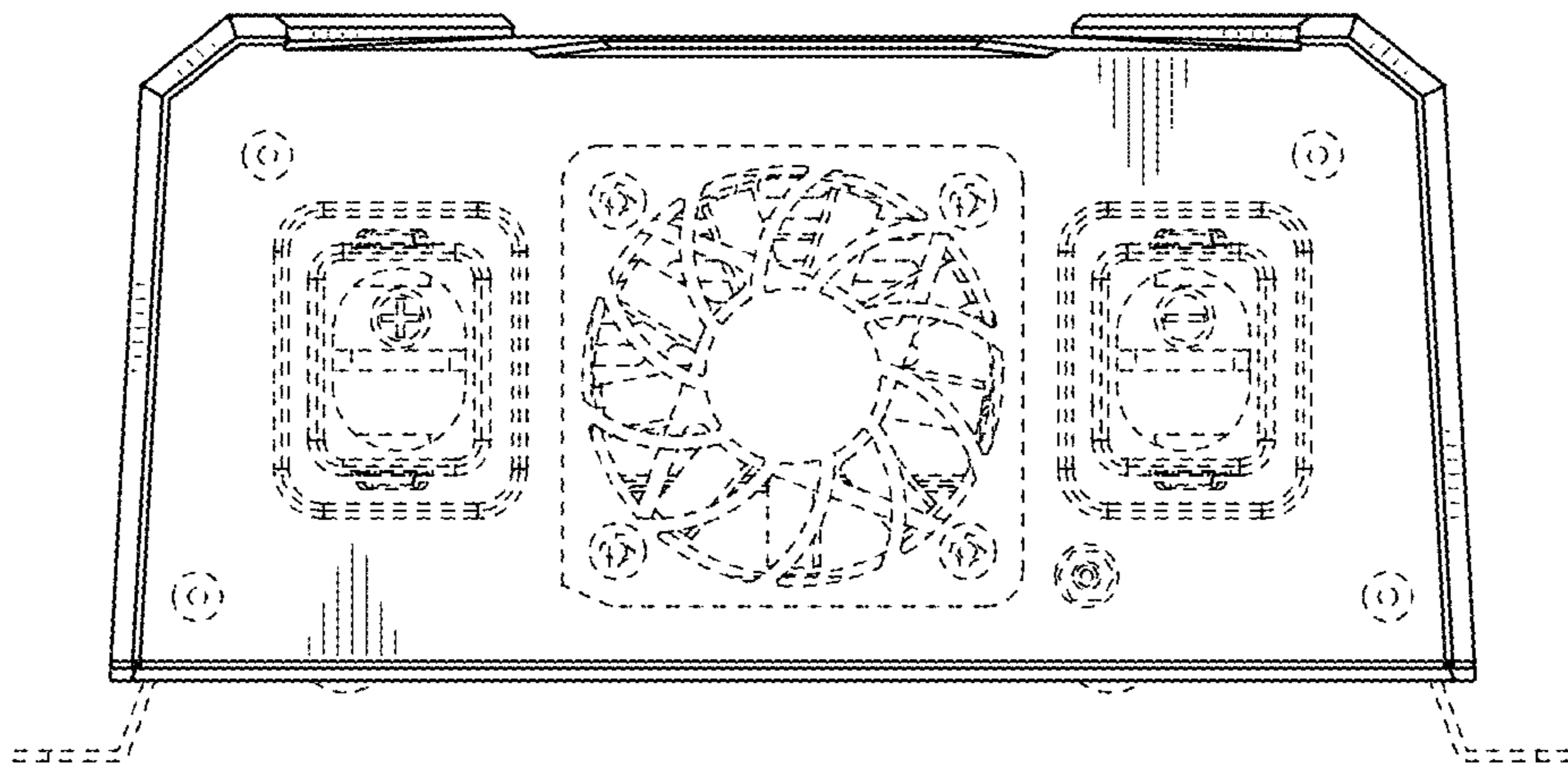


FIG. 3

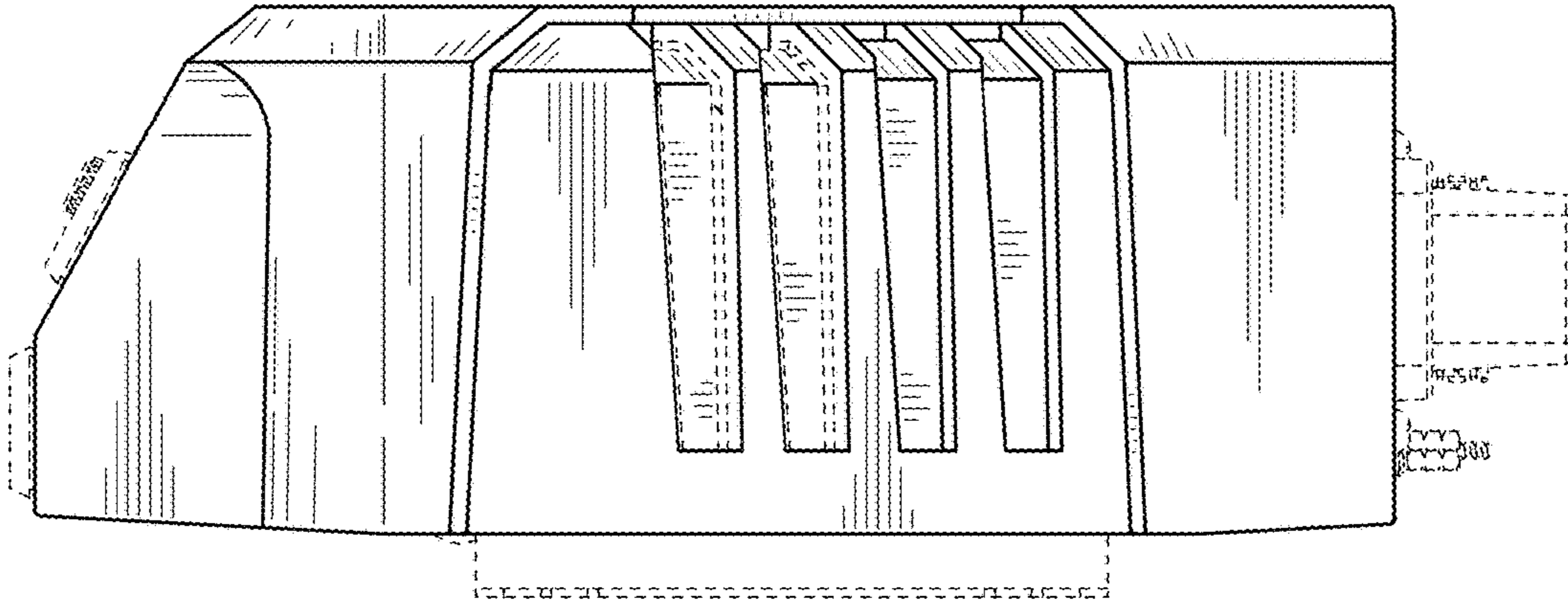


FIG. 4

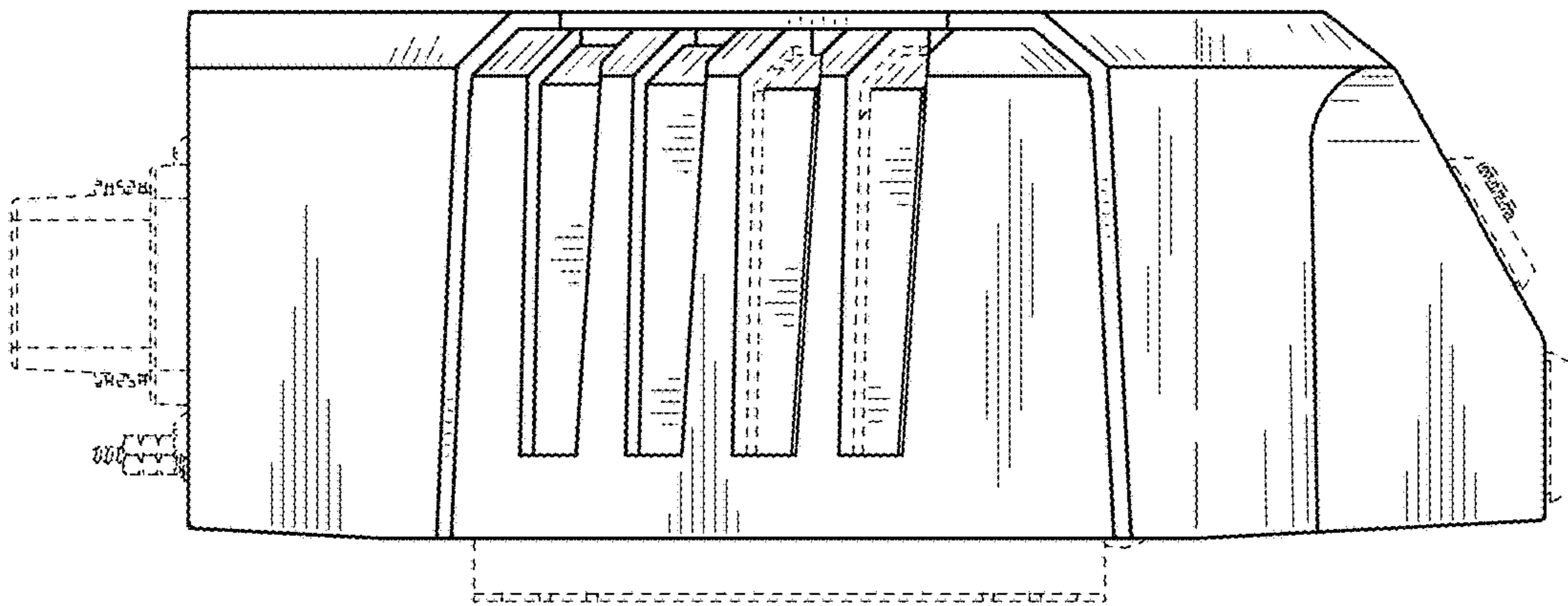


FIG. 5

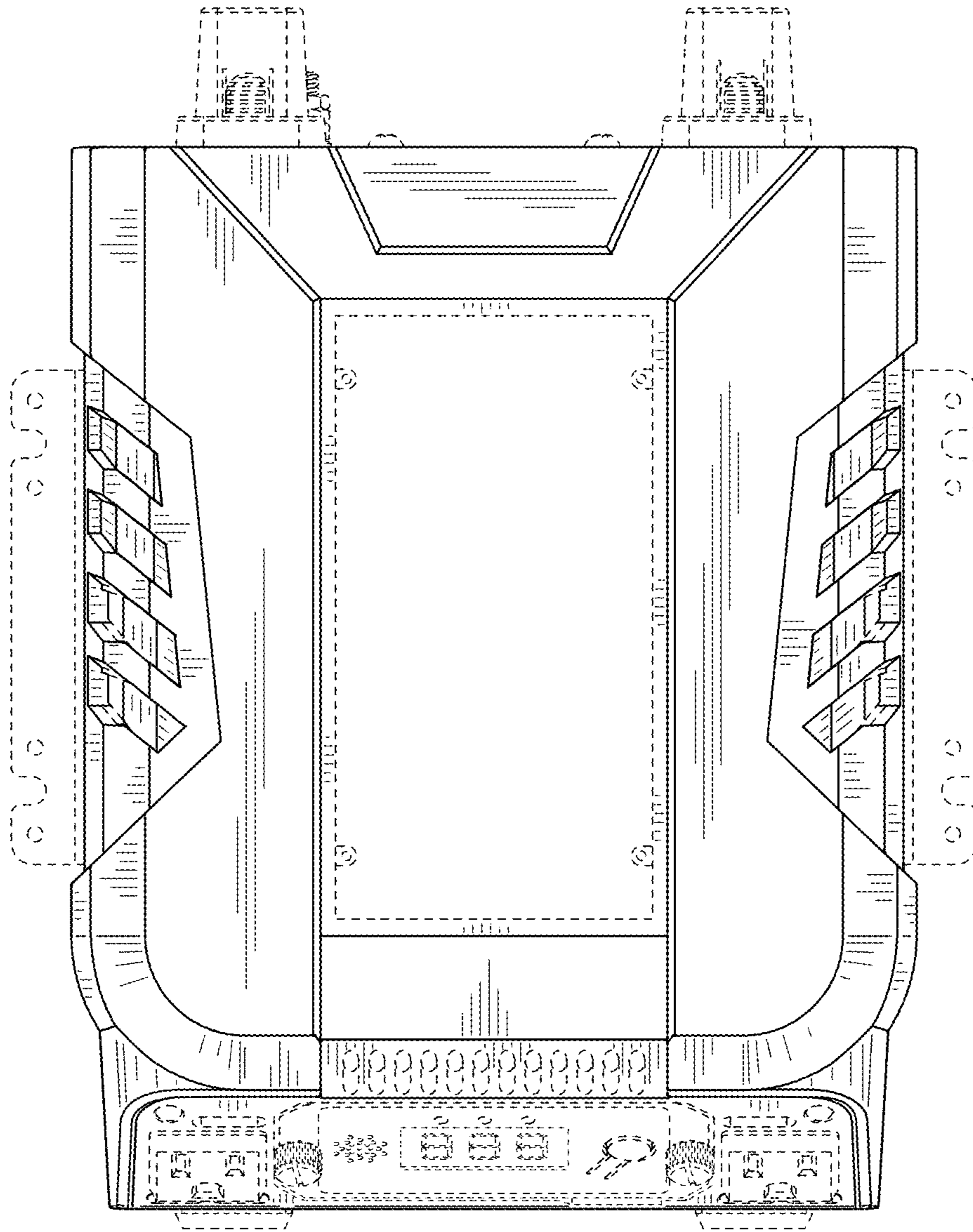


FIG. 6

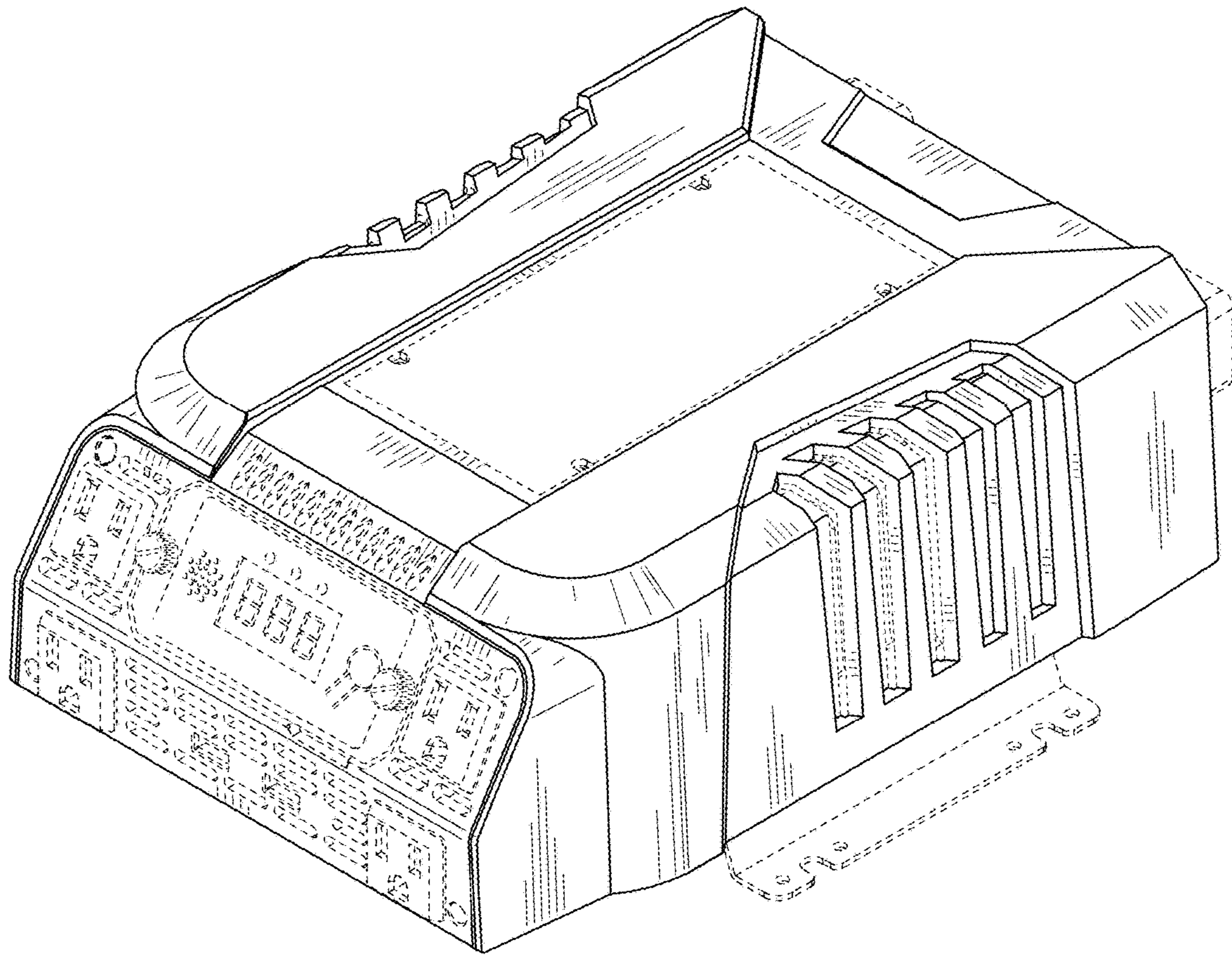


FIG. 7

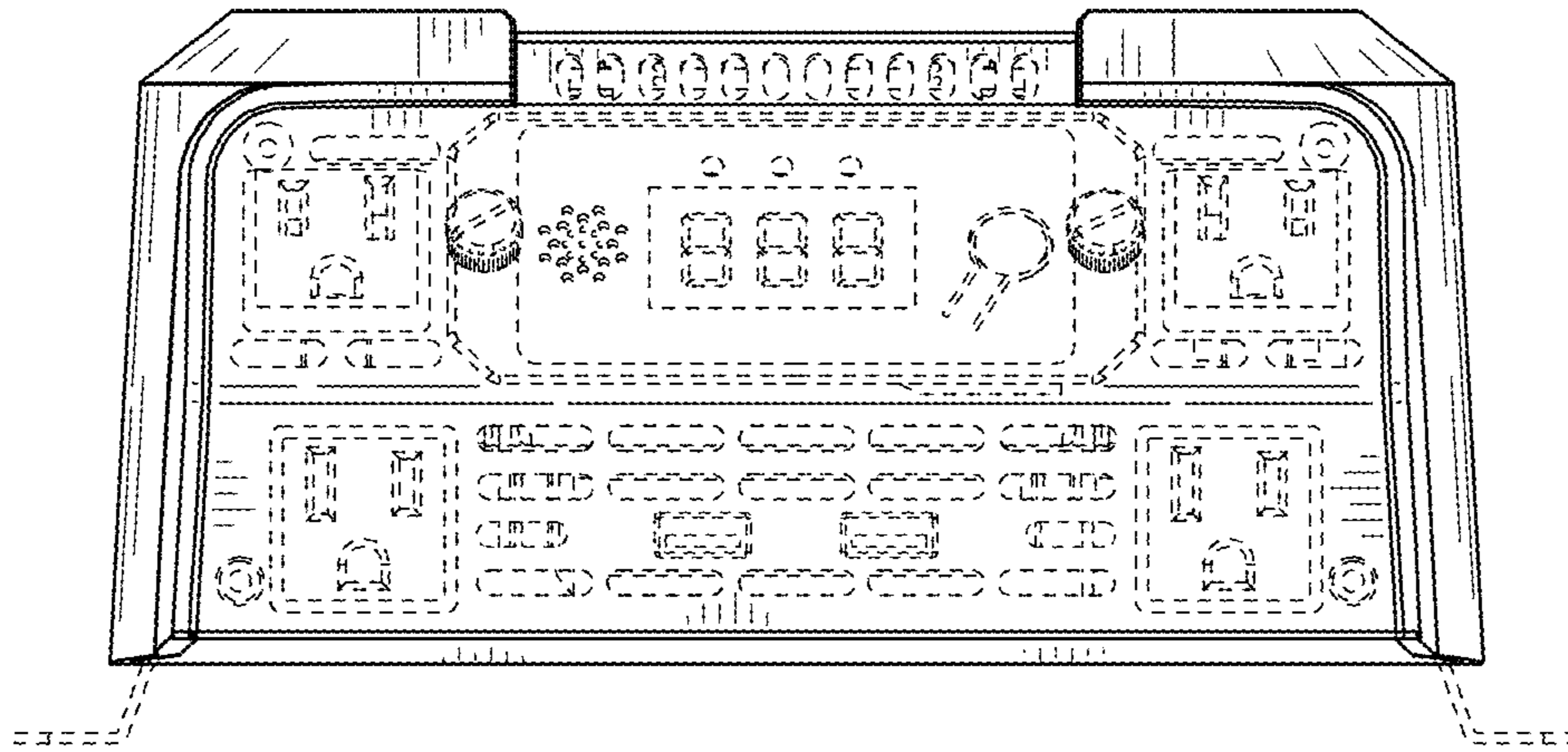


FIG. 8

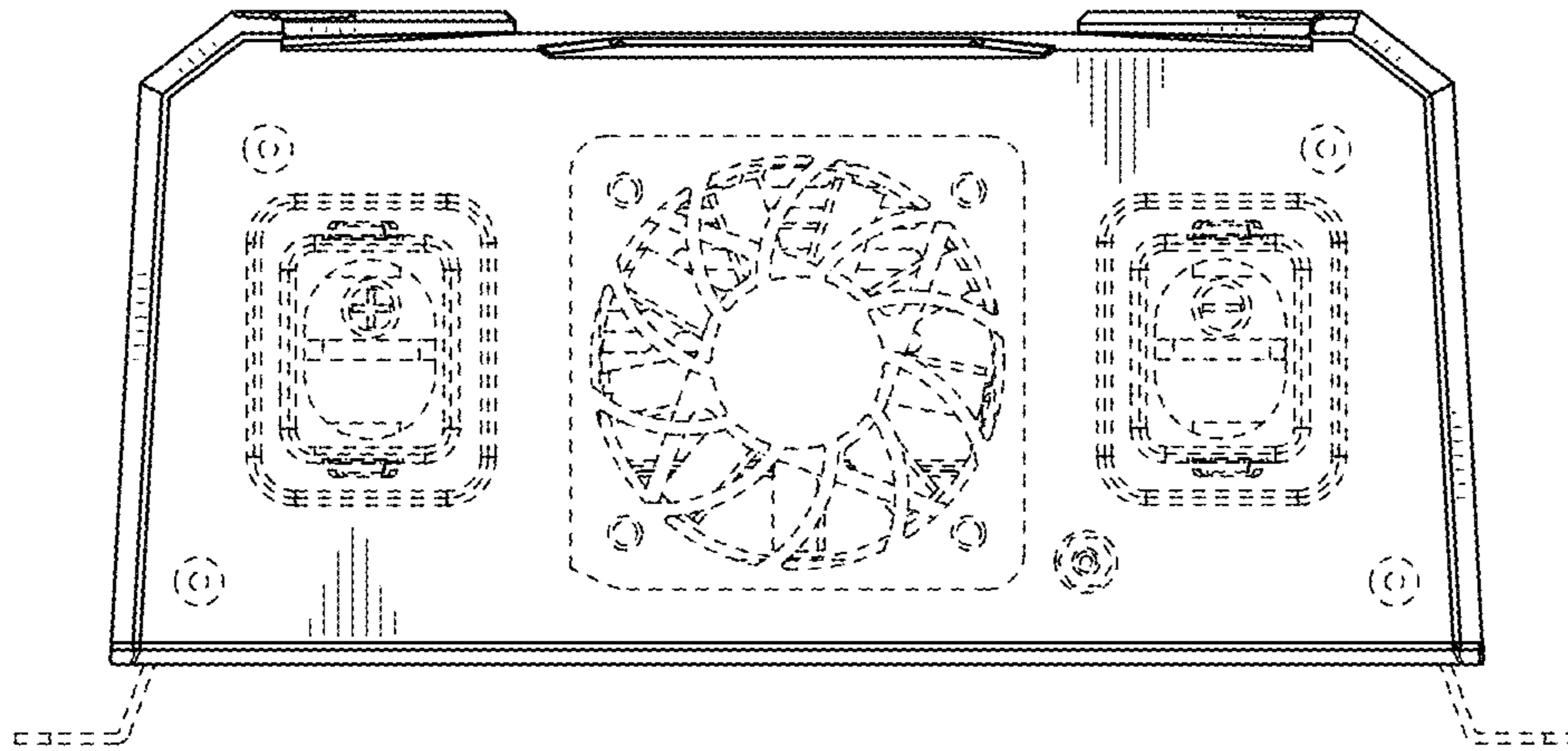


FIG. 9

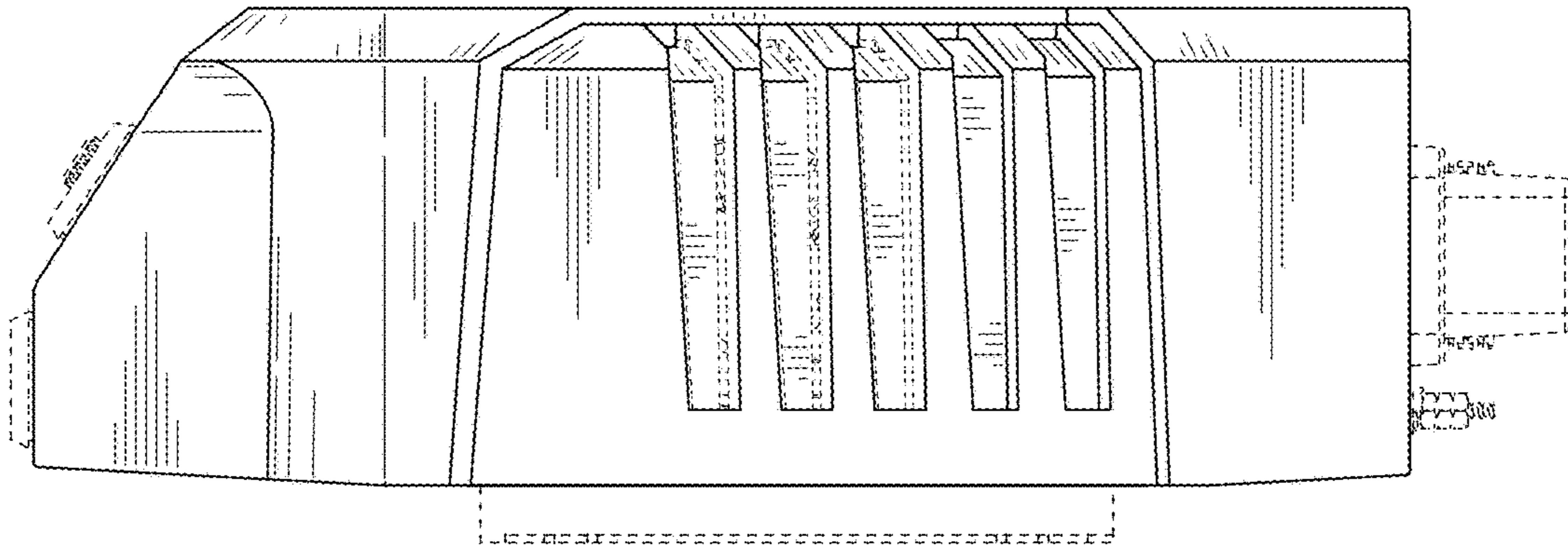


FIG. 10

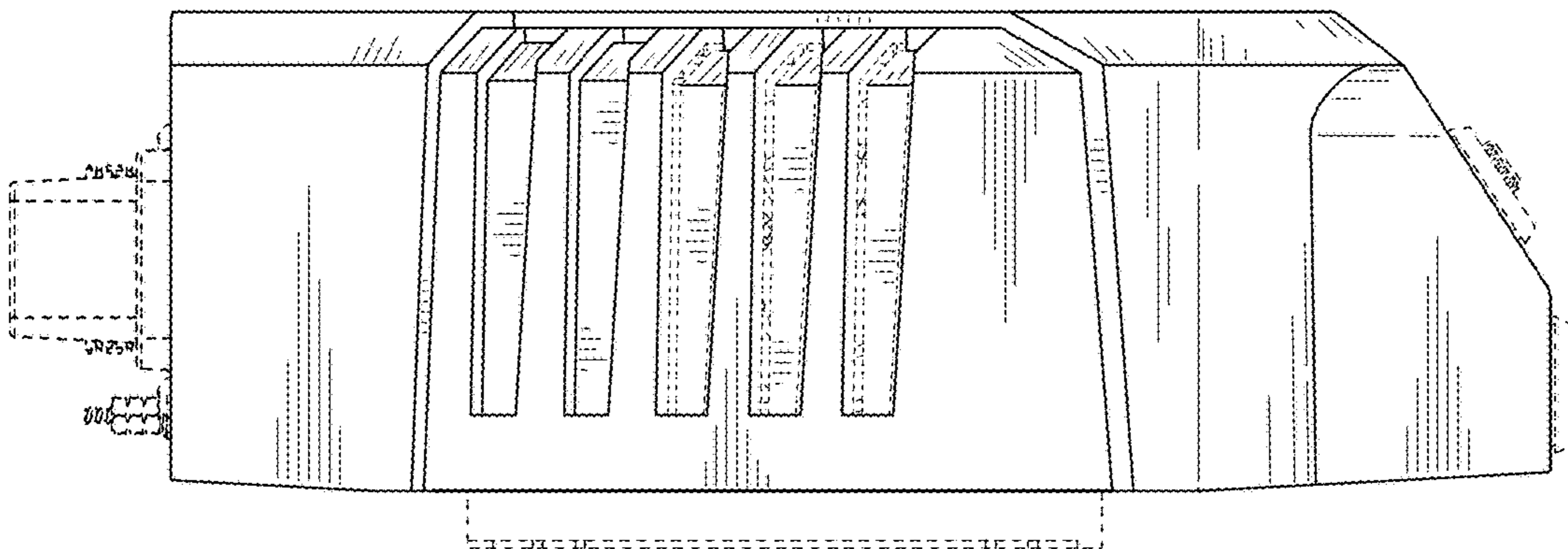


FIG. 11

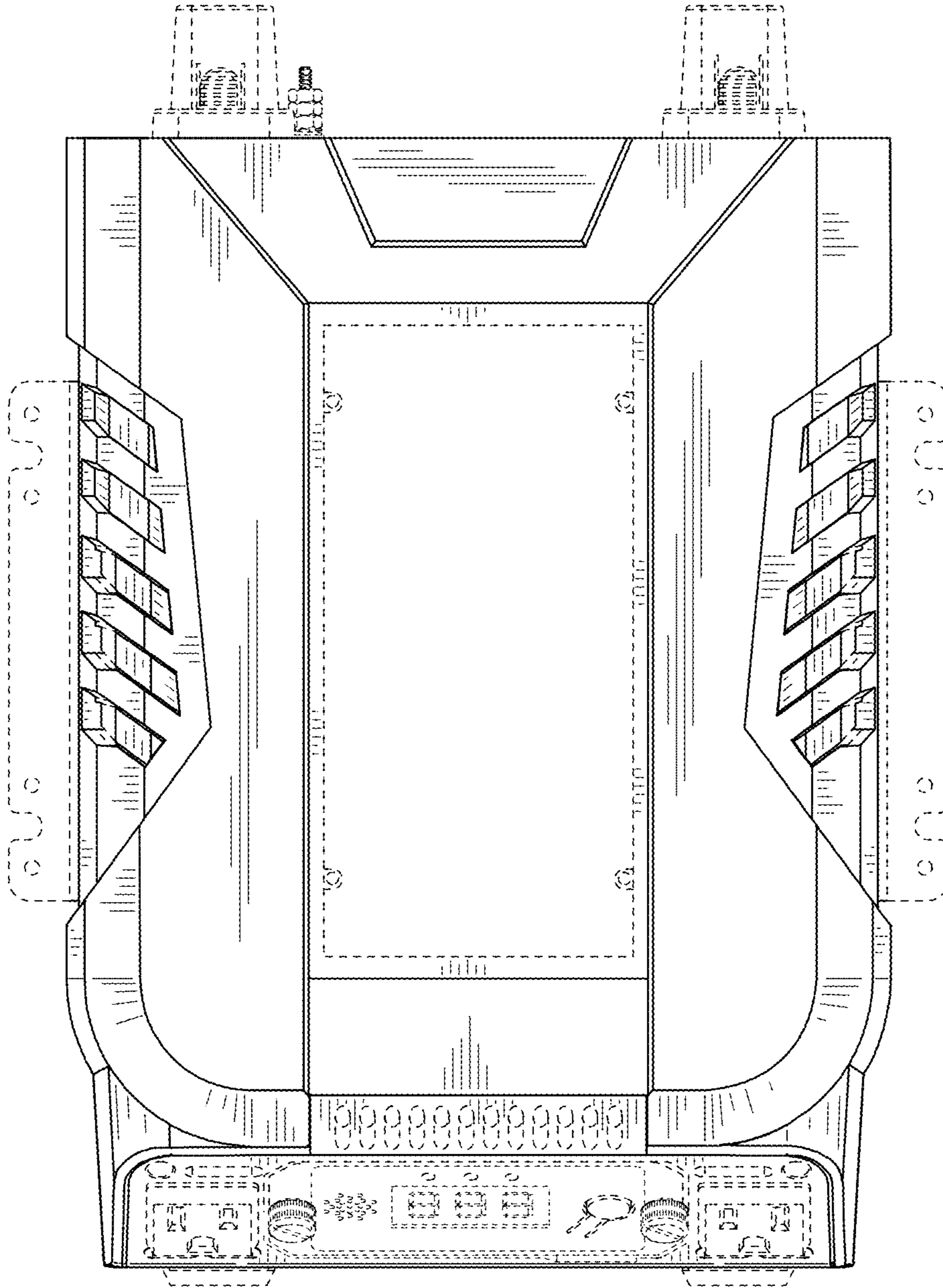


FIG. 12

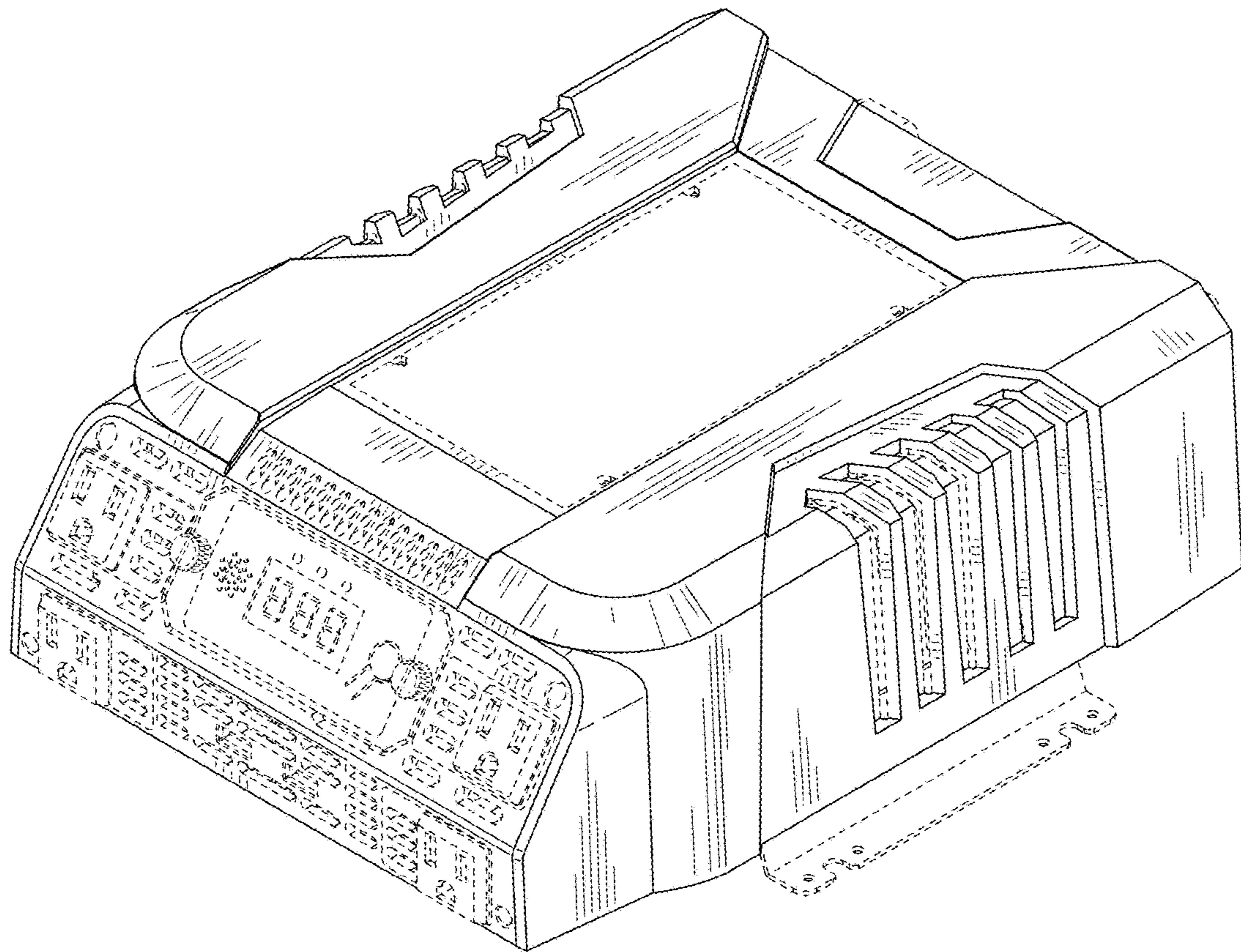


FIG. 13

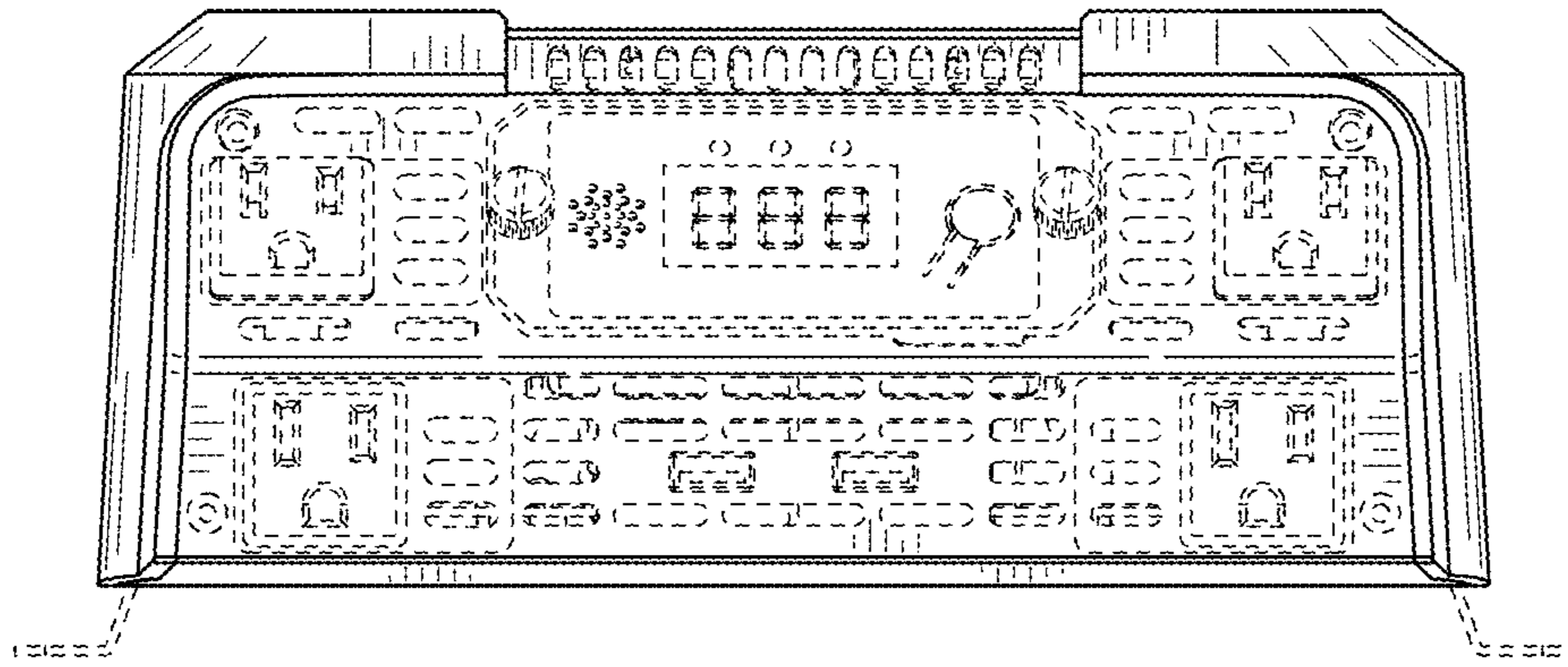


FIG. 14

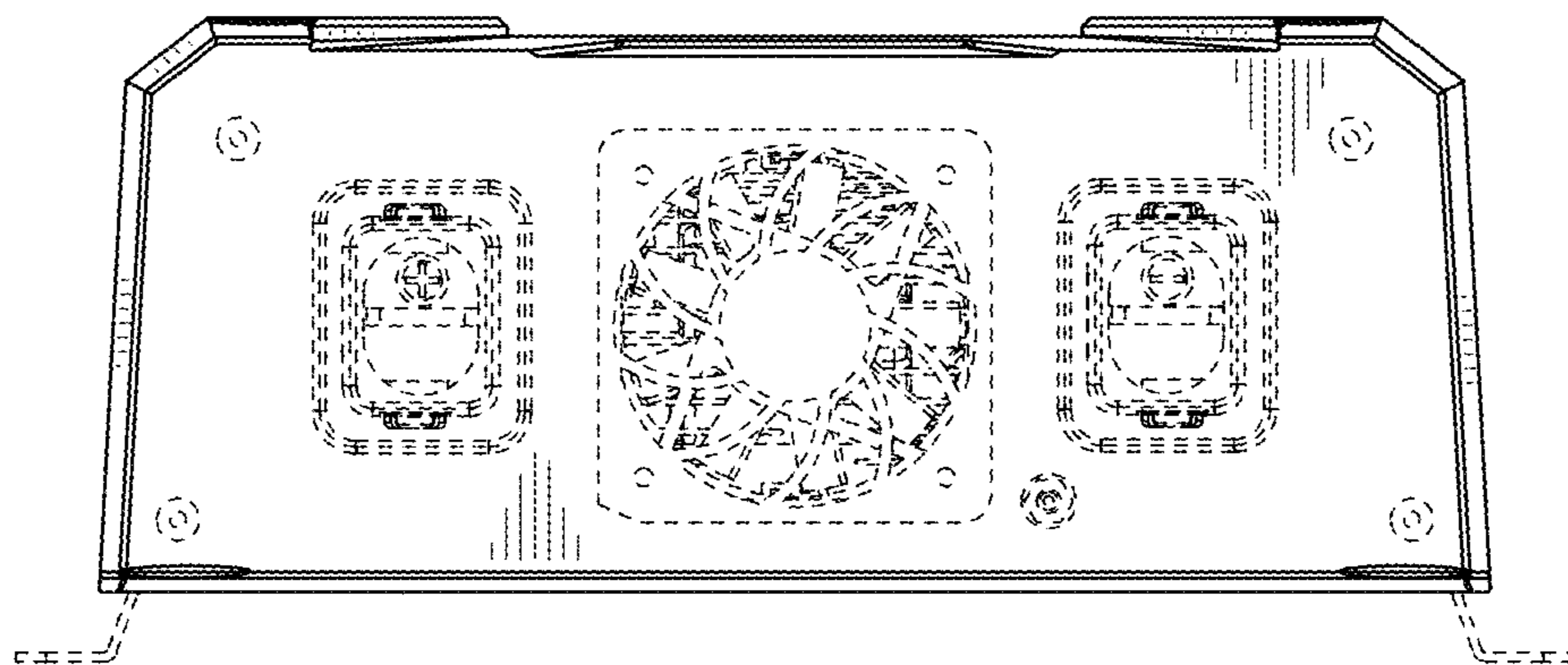


FIG. 15

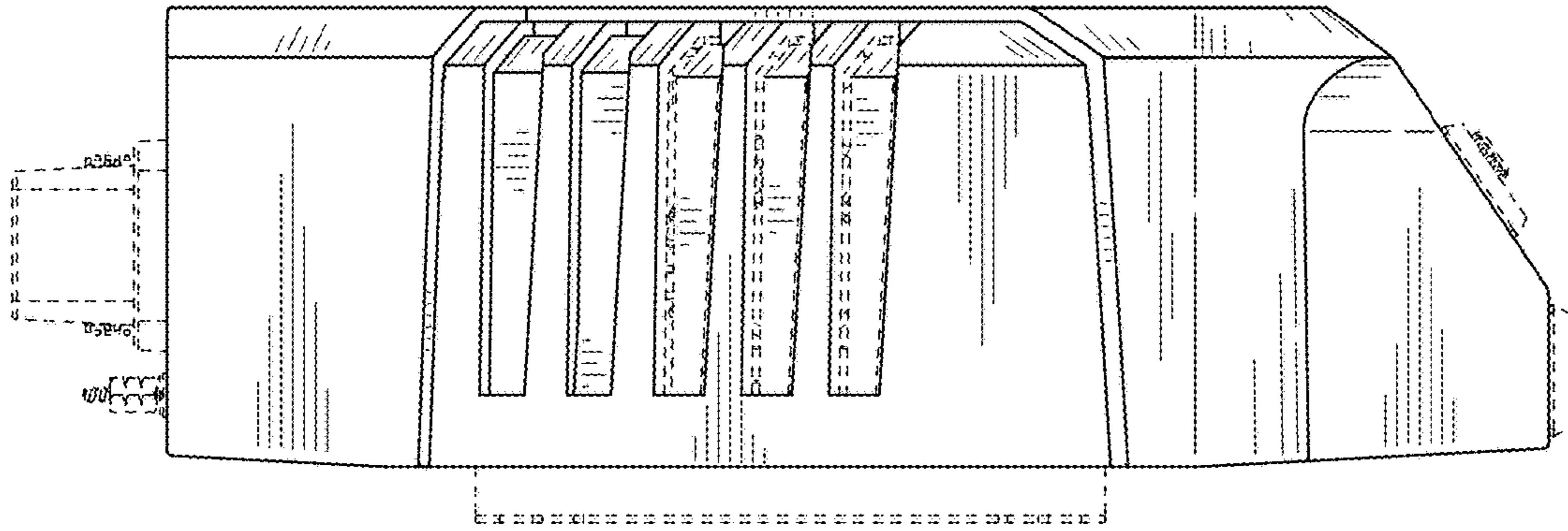


FIG. 16

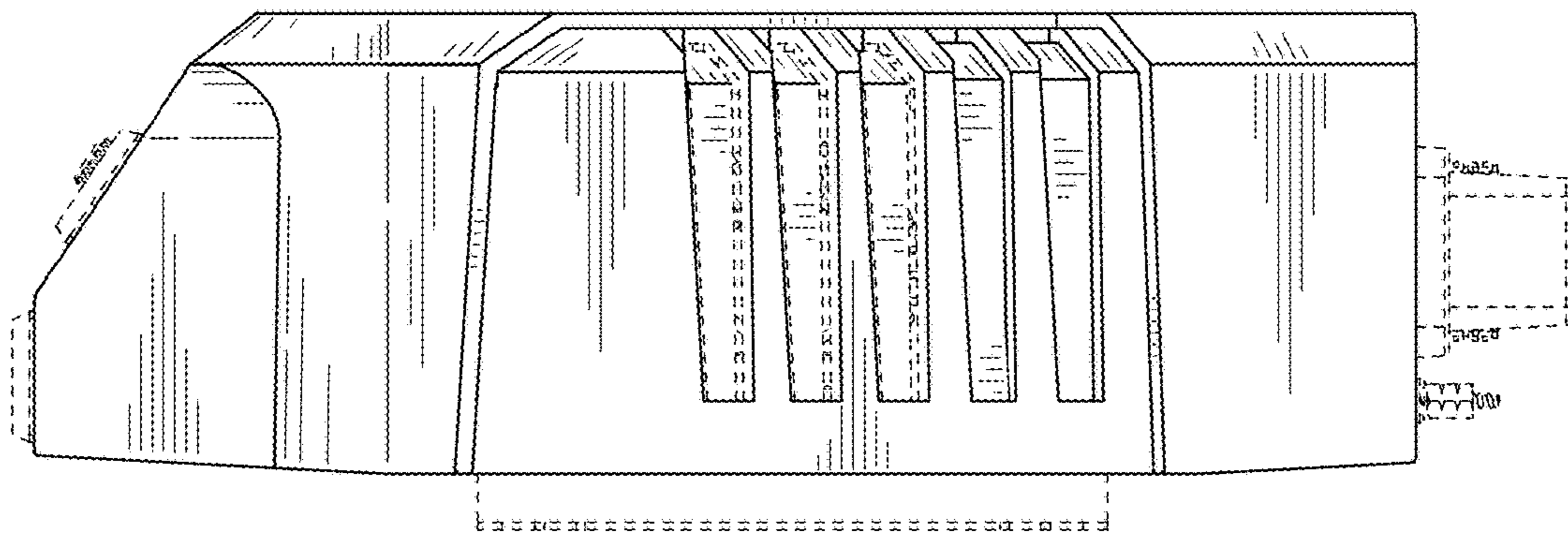


FIG. 17

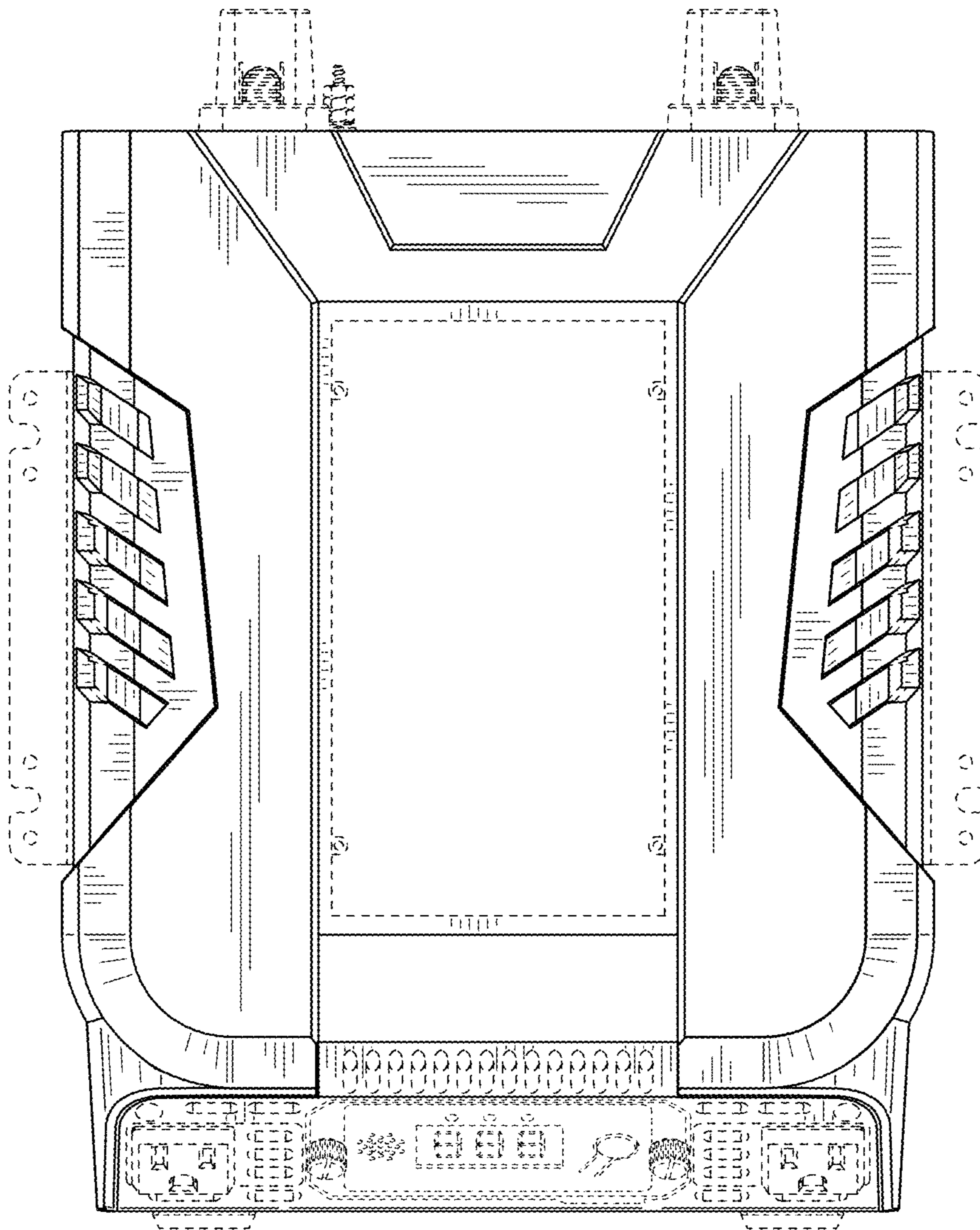


FIG. 18

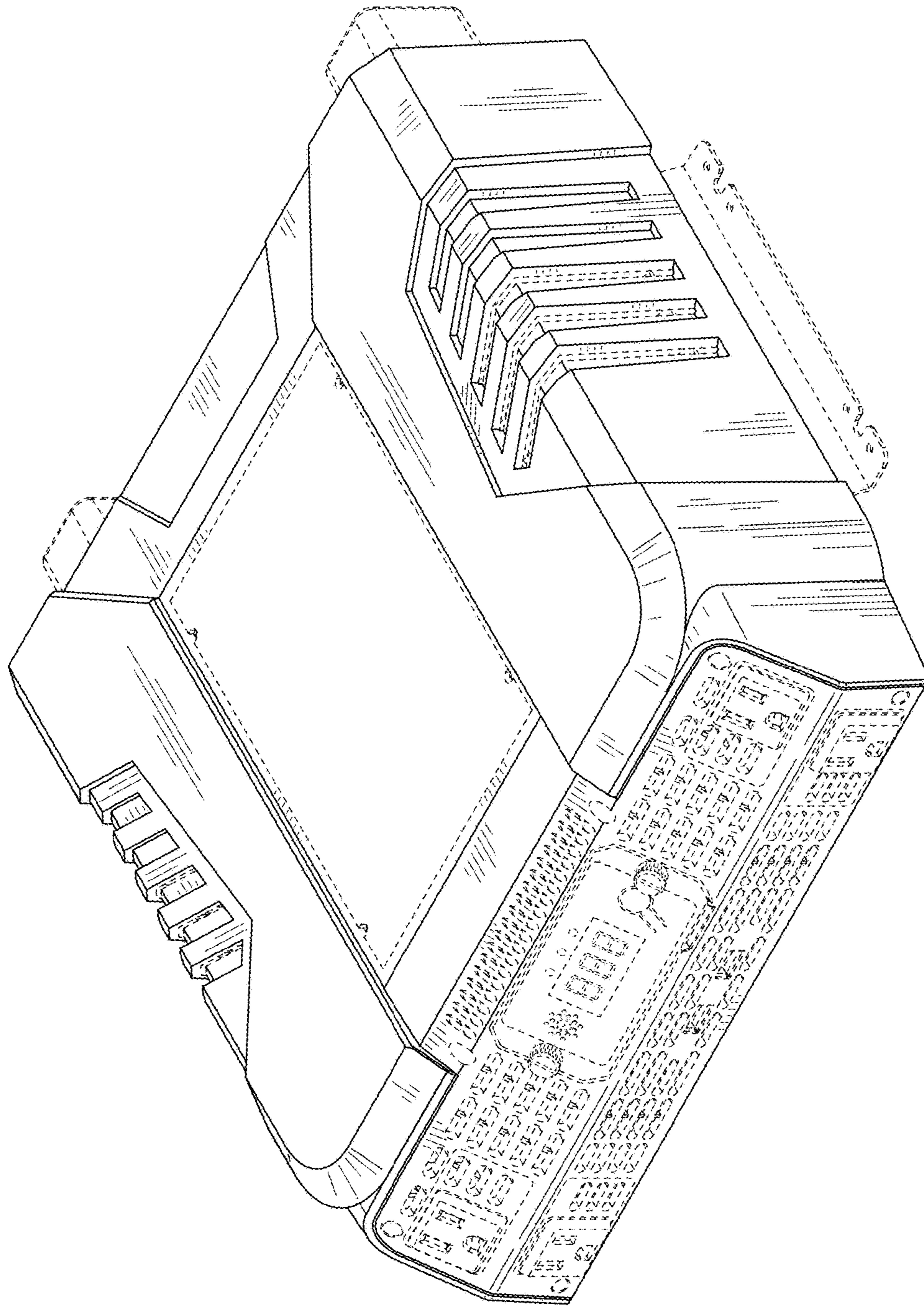


FIG. 19

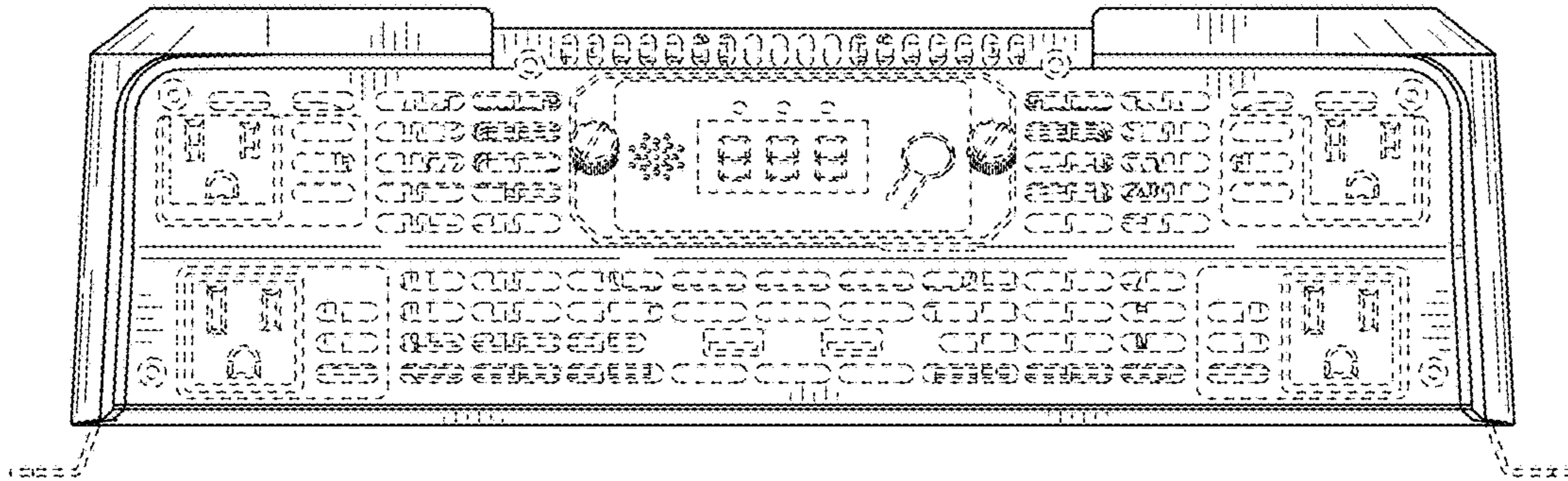


FIG. 20

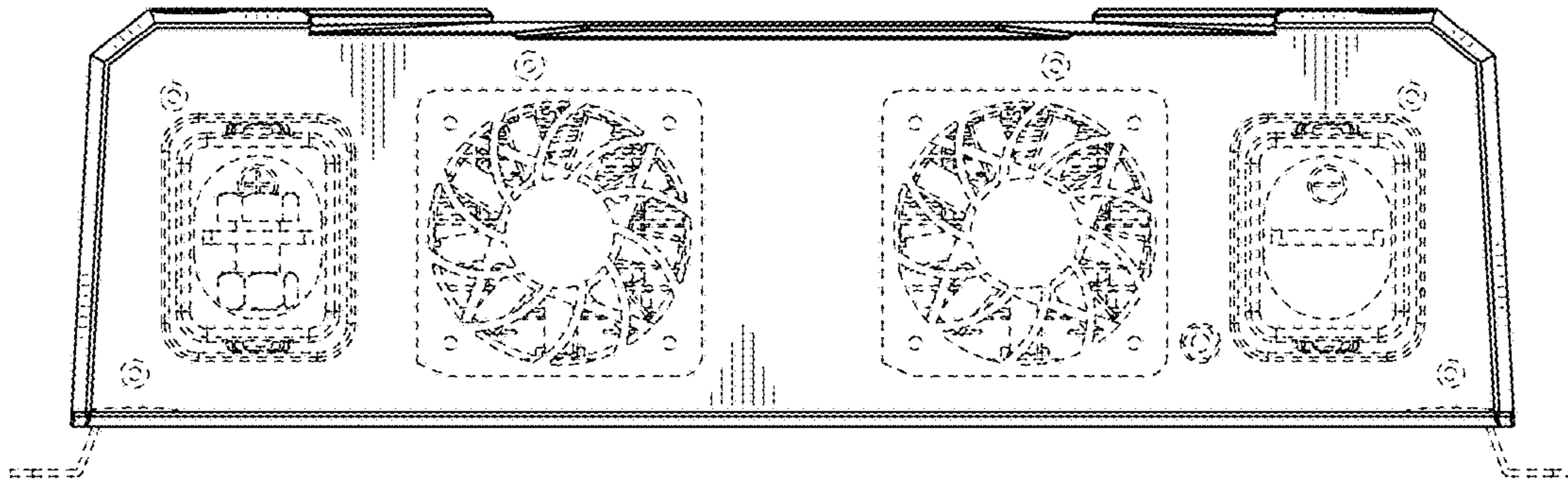


FIG. 21

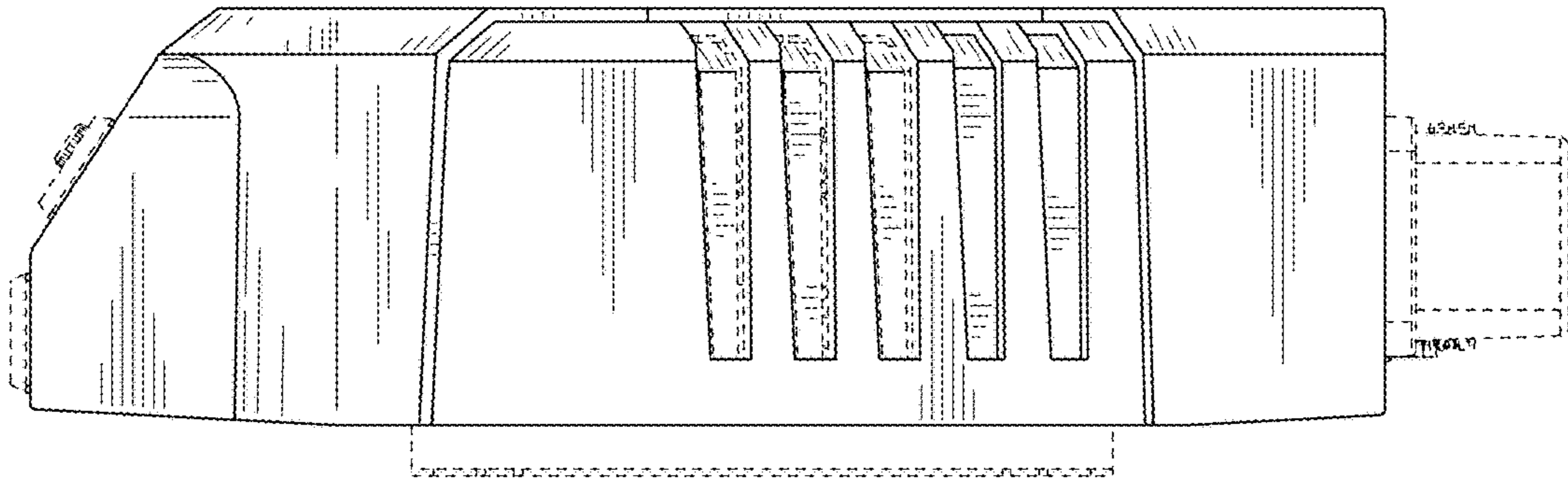


FIG. 22

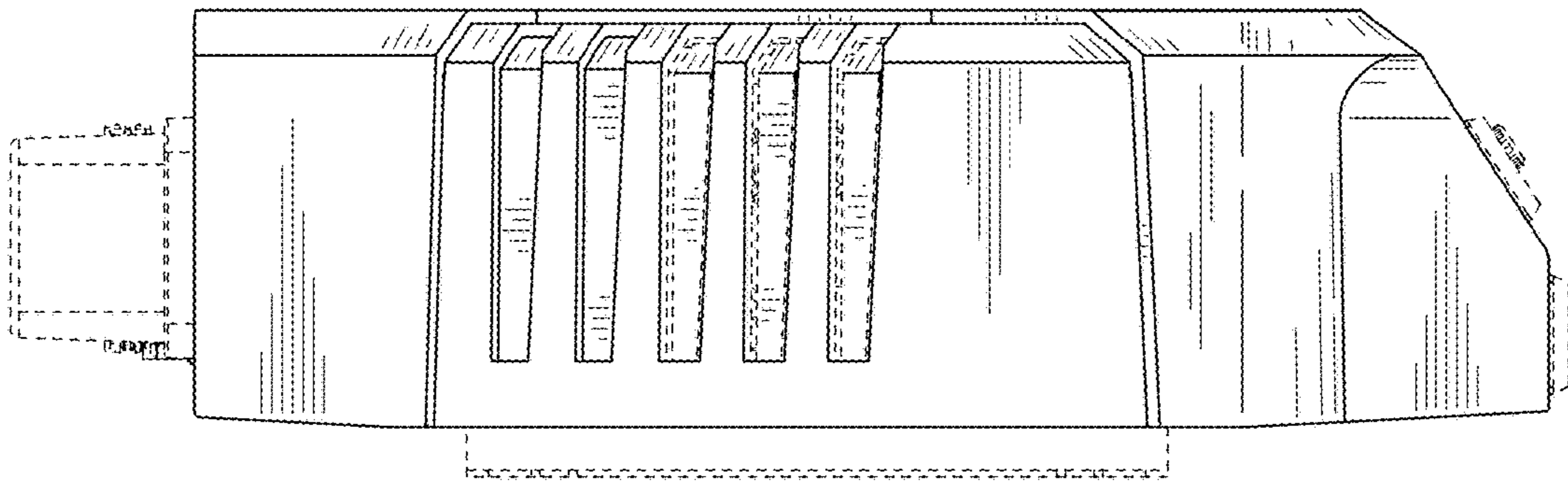


FIG. 23

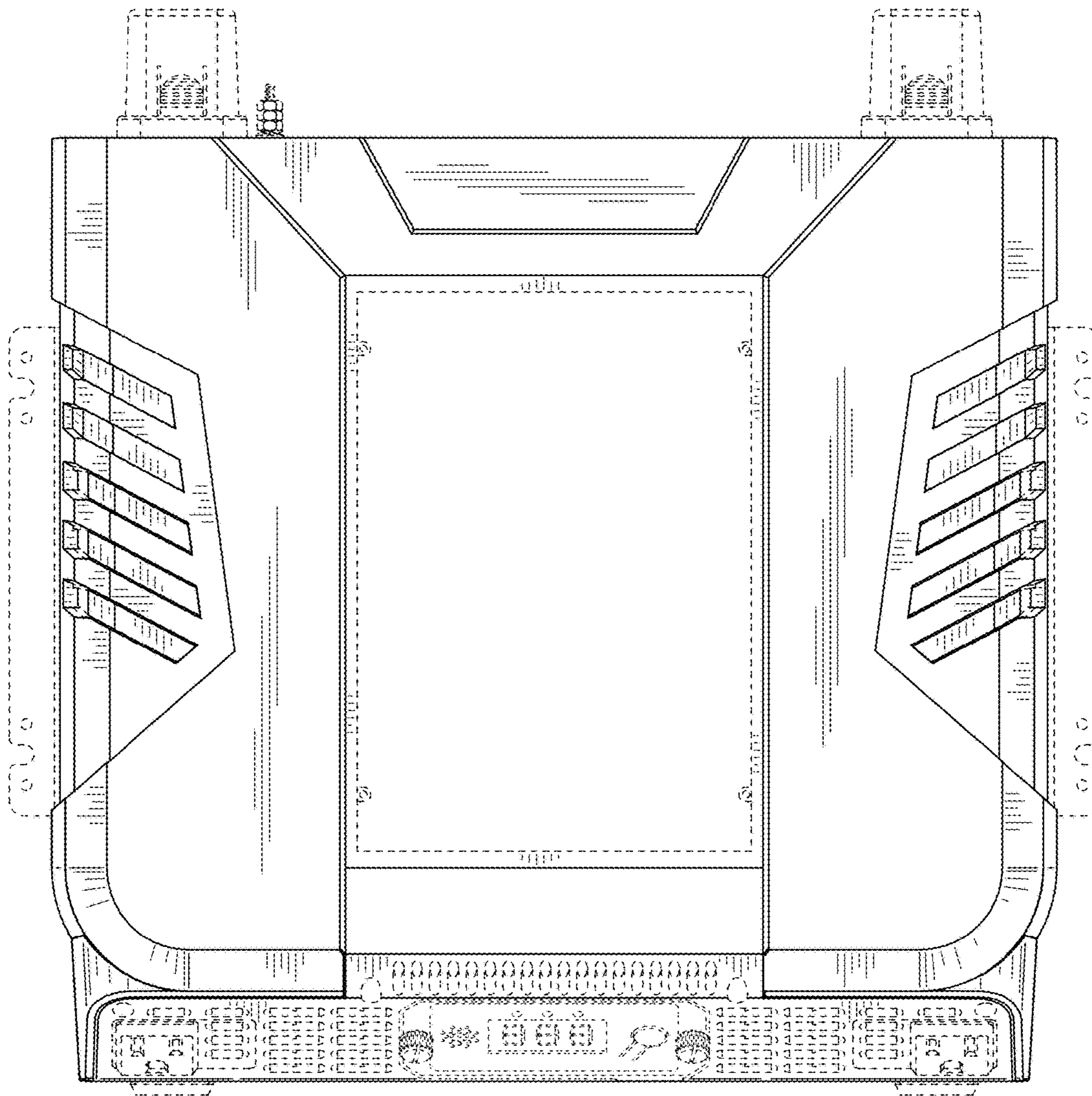


FIG. 24